

1586176-T2

记录您的型号:

Record your model number: _____

警告: 存在人身伤害风险。 扶手应正确安装才有可能承受用户的体重。建议将扶手安装在混凝土墙上, 以提供足够的强度和稳定性。

警告: 存在财产损坏和人身伤害风险。 电线损坏可能会引起触电和火灾。在墙面钻孔时, 需要格外小心, 以免损坏墙内的电线或管道。

提示: 正确的安装至关重要。如有任何疑问, 请停止安装并咨询有资质的专业人士。

所显示的产品可能与您的实际产品不同。但安装步骤仍然适用。

1A. 8 mm 钻头

1B. 胶带

3A. 确认模板上的“X”是否与产品尺寸相匹配。

4A. 使用随附的 2.5 mm 六角扳手松开固定螺钉, 拆卸墙座。

5A. 在完工墙面钻 8 mm (5/16") 的安装孔。

8A. (可选) 验证托盘与扶手是否匹配。将托盘安装到环形扶手的上杆或长于托盘的单层扶手上 (仅限扶手水平安装时)。确保在安装托盘后扶手仍能提供必要的支撑和安全性。

需要帮助? 请联系我们的客户服务中心。

• 中国大陆: +(86) 800-820-2628, +(86) 400-820-2628

• 中国香港、中国澳门、中国台湾: +(852) 3125-7728

• **保养和清洁:** kohler.com.cn/support/care-and-cleaning/

本产品支持科勒®厨卫产品三年有限质保, 详见包装所附的《合格证》。

WARNING: Risk of personal injury. Unless properly installed, the grab bar may not support the weight of the user. Recommended to install the grab bar on a concrete wall for maximum strength and stability.

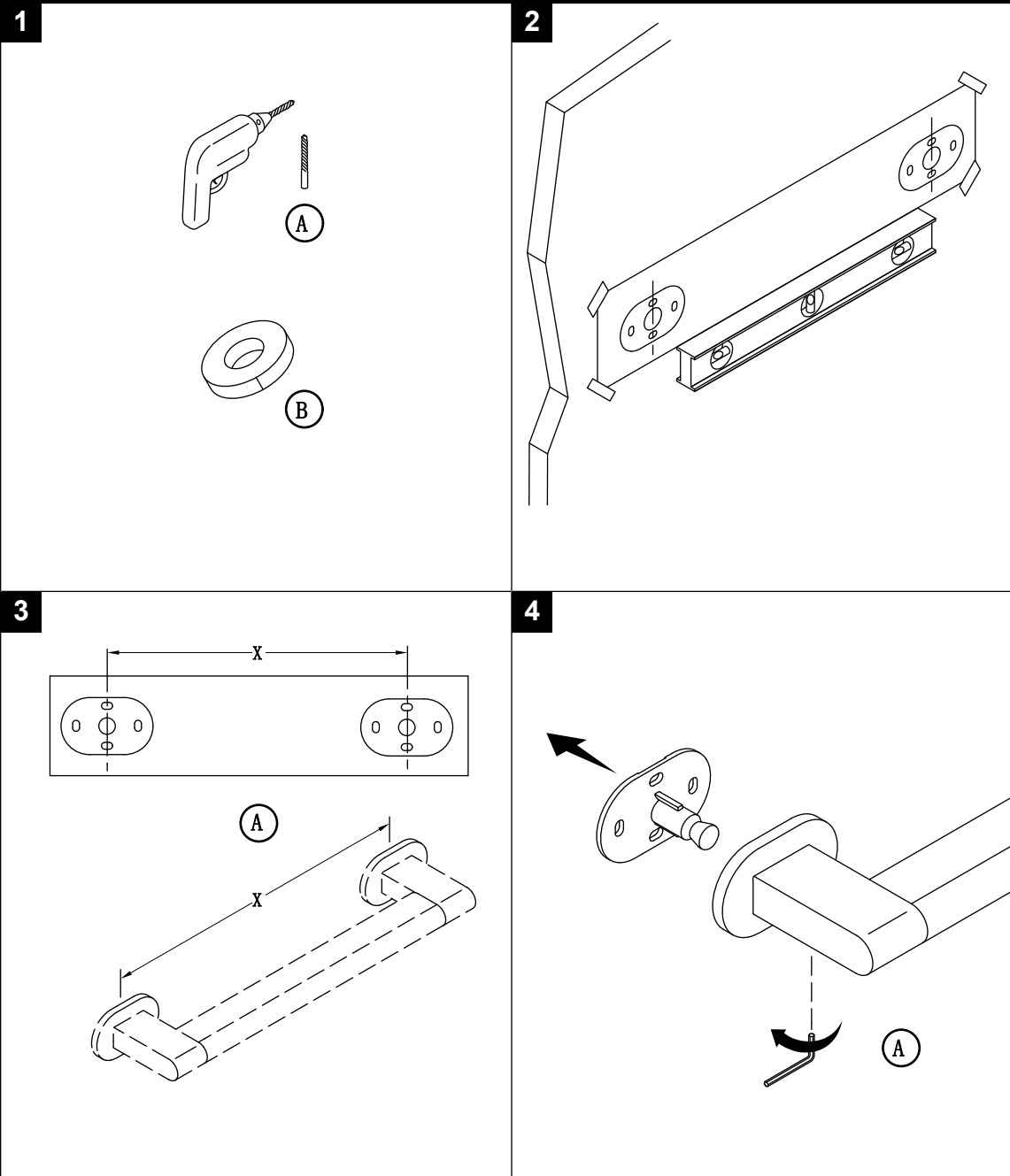
WARNING: Risk of property damage and personal injury. Damaged electrical wiring can cause electric shock and fire. When drilling into wall, exercise extreme care to avoid any electrical wiring or plumbing that may be located behind the wall.

NOTE: Proper installation is extremely important. If in any doubt, stop and contact a qualified grab bar installation professional.

The product shown may differ from your actual product. The installation steps still apply.

1A. 8 mm Drill Bit

1586176-T2-A



1B. Masking Tape

3A. Verify that "X" on the template matches your product dimension.

4A. Loosen the setscrew using the provided 2.5 mm hex wrench to remove the wall plate.

5A. Drill 5/16" (8 mm) pilot holes through the finished surface.

8A. (Optional) Verify the compatibility of the optional tray with the grab bar. Install the tray onto a longer grab bar or the upper bar of a longer grab bar loop (only when horizontally placed). Make sure the grab bar tray is secured to provide the necessary support and safety after installation.

Need help? Contact our Customer Care Center.

- Mainland China: +(86) 800-820-2628, +(86) 400-820-2628
- Hong Kong (China), Macau (China), Taiwan (China): +(852) 3125-7728
- **Care and cleaning:** kohler.com.cn/support/care-and-cleaning/

This product is covered under the **Three-Year Limited Warranty for KOHLER® Plumbing Products**, found in the packed Compliance Certification.

