

# 安装说明

## 小便器

记录您的型号：  
Record your model number: \_\_\_\_\_

English, page 10

**KOHLER®**

1586366-T2-B

## 感谢您选择科勒

---

**需要帮助？** 请联系我们的客户服务中心。

- 中国大陆: +(86) 800-820-2628, +(86) 400-820-2628
- 中国香港、中国澳门、中国台湾: +(852) 3125-7728
- 保养和清洁: [kohler.com.cn/support/care-and-cleaning/](http://kohler.com.cn/support/care-and-cleaning/)

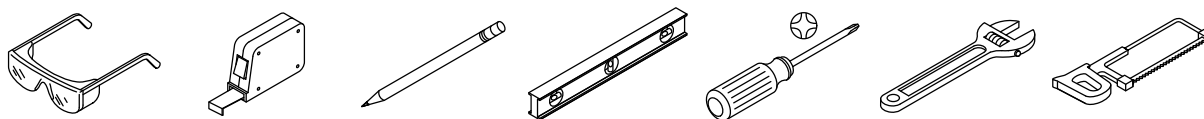
## 质保

---

本产品**在科勒®卫浴产品的3年有效质保范围内**，详见所附的《合格证》。

## 所需工具和材料

---



**所需的其他工具和材料：**

- PVC 胶
- 硅酮润滑脂
- 安装过程中用于支撑小便器的台面

## 开始之前

---

关闭供水系统。

请遵守当地管路安装及建筑条例。

有关尺寸信息，请参阅地排水产品尺寸图。

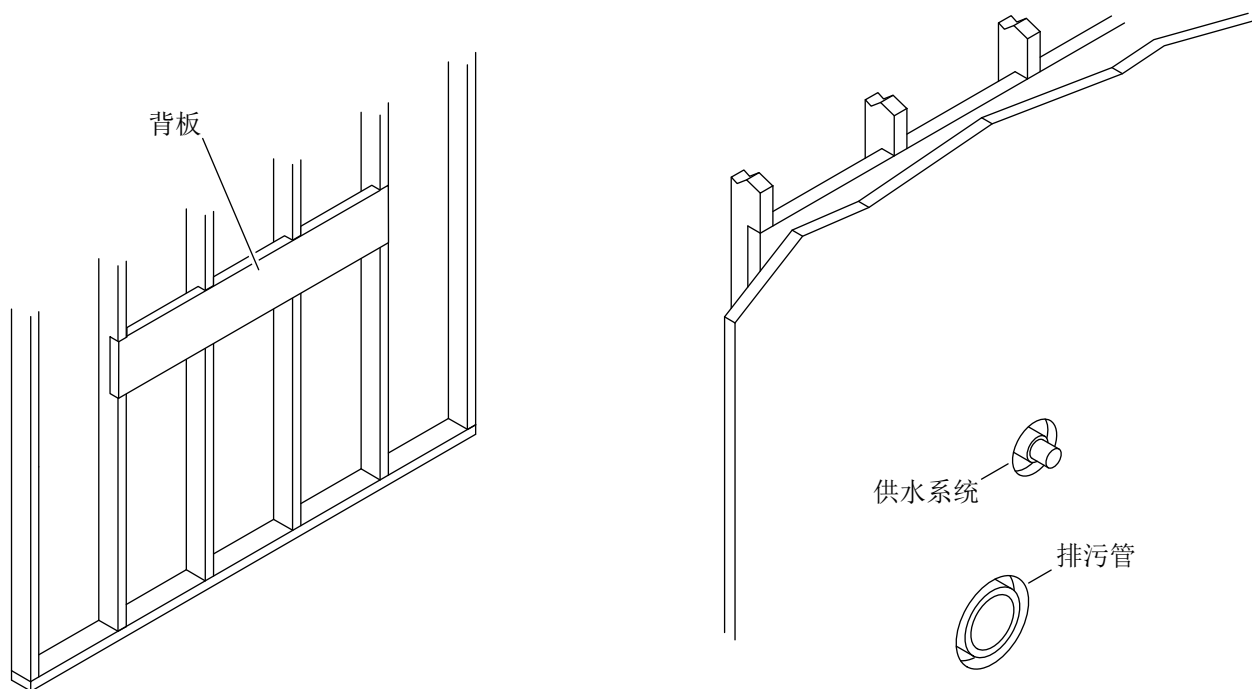
按照厂商的说明，安装冲洗阀。

安装供水管道。

本产品遵守 GB 6952-2015、GB 28377-2019。

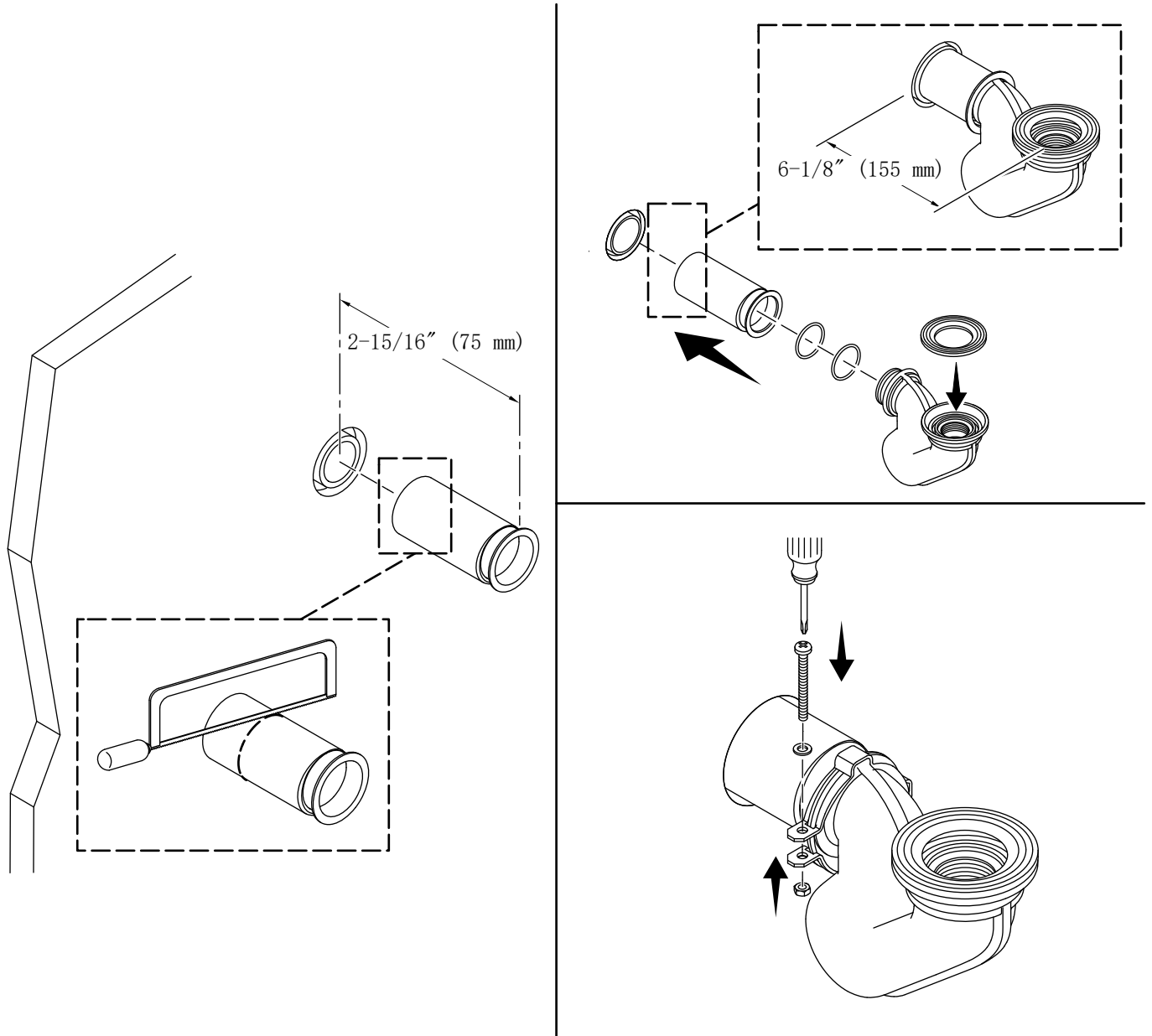
## 1. 安装场地准备

---



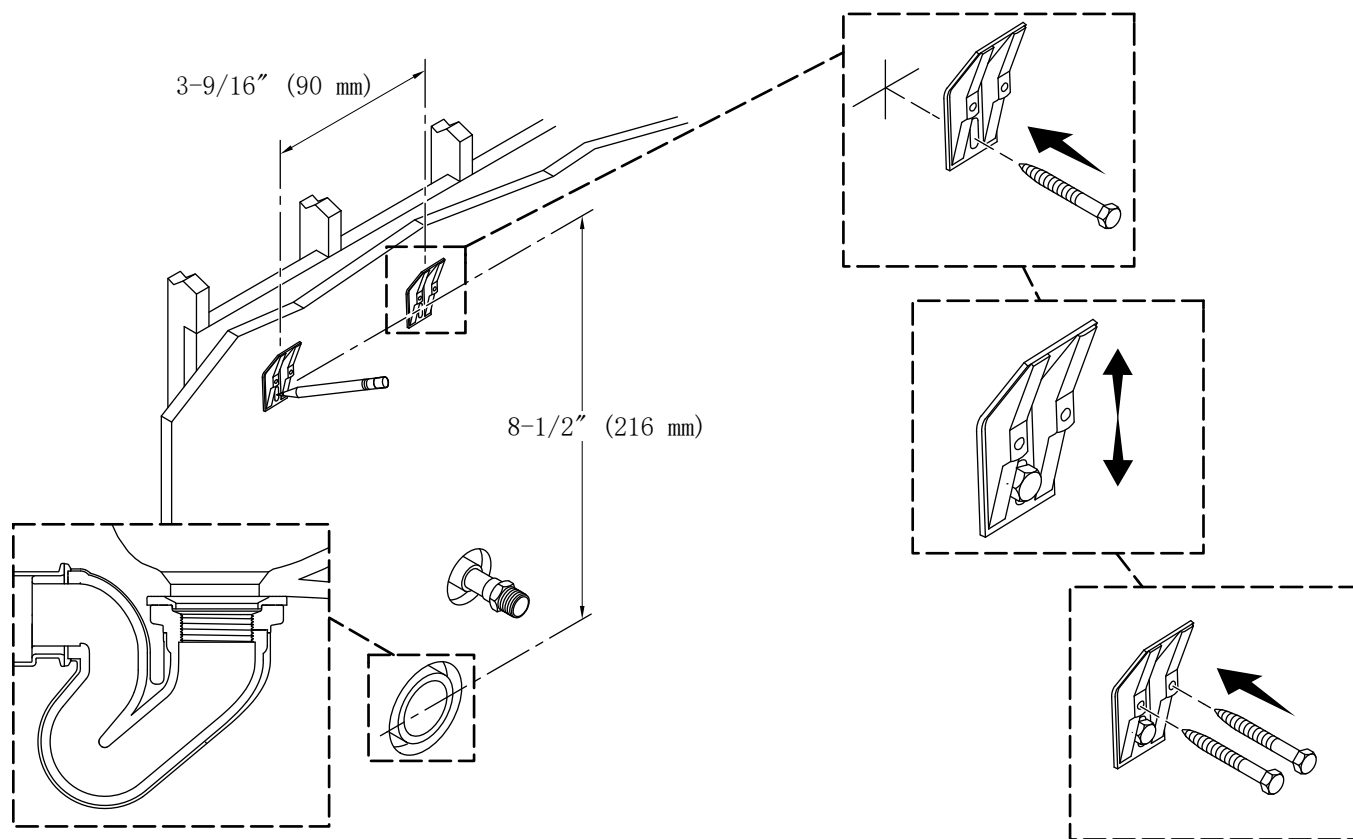
- 如有必要，安装背板，以便加强支撑。核实背板的正面是否与螺栓齐平。
- 按照产品尺寸图安装 DN50 PVC 排污管。
- 按照产品尺寸图安装 G1/2 供水接口。
- 安装止水阀。

## 2. 准备排污管道



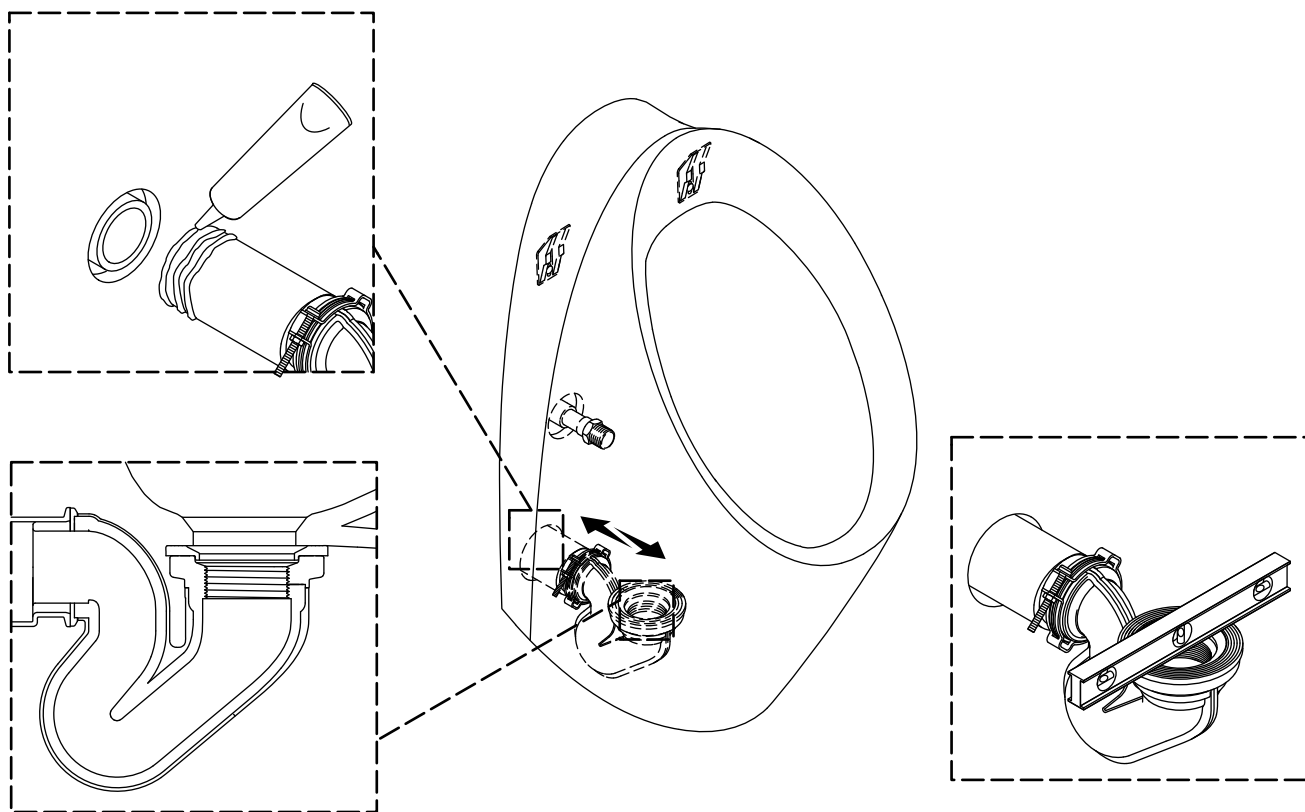
- 在距离成品墙  $2\frac{15}{16}$ " (75 mm) 处，宽松地将管道转接头安装到污水管内。根据需要切割管道转接头。
- 组装存水弯道，核实存水弯道的中心是否距离成品墙  $6\frac{1}{8}$ " (155 mm)。
- 用卡箍将排污管道固定到管接头上。

### 3. 安装挂钩



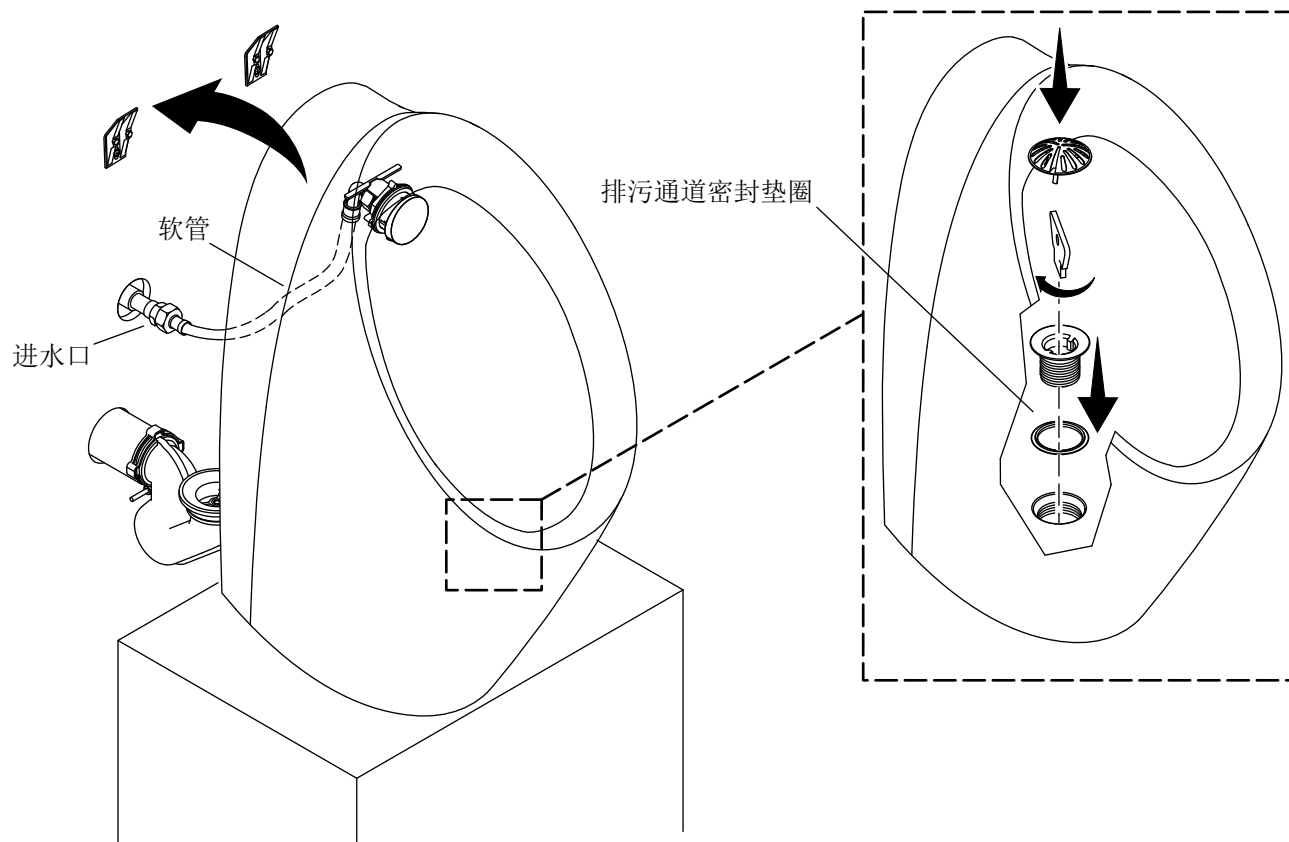
- 使墙壁挂钩的底部插槽位于污水管中央上方 8-1/2" (216 mm) 处。
- 使墙壁挂钩的中心彼此相距 3-9/16" (90 mm)，并标记螺丝底部插槽的中心。
- 在标记孔位钻孔，然后穿过墙壁挂钩的底部插槽安装螺丝。请勿拧紧螺丝以便调节。
- 小心地将小便器挂到墙壁挂钩上，核实小便器是否与排污通道对齐。
- 拆下小便器。
- 根据需要 will 墙壁挂钩向上或向下放置。
- 使用随附的螺丝固定墙壁挂钩。

## 4. 安装排污管道



- 将小便器挂到墙壁挂钩上。调整排污通道的延伸部分，使其与小便器对齐。
- 拆下小便器。
- 在管接头的外侧涂上 PVC 胶。
- 将管接头插入污水管。核实排污通道开口是否水平。

## 5. 安装小便器



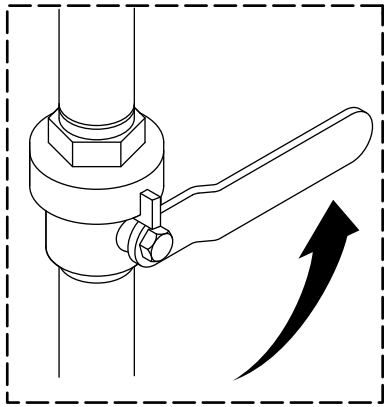
**重要信息!** 为避免损坏滤网 在使用磨砂清洁材料或钢丝绒清洁小便器时，应拆除滤网

- 将软管连接到小便器。拧紧软管。
- 将小便器放在台面上。
- 将软管连接到进水口。拧紧软管。
- 将小便器挂到墙壁挂钩上。**请勿夹压或扭结软管。**
- 核实小便器是否与排污通道对齐。
- 向排污通道的密封垫圈涂抹硅酮润滑脂。
- 使用所提供的工具手动拧紧内接头。
- 安装下水器。



## 6. 完成安装

---



**注：** 如果在冲洗小便器时水溅起或溢出，请使用控制阀将水压调低。

- 将水倒入排污通道，检查是否漏水。
- 按照厂商的说明，安装冲洗阀。
- 按照厂商的说明，根据需要调整冲洗流速。
- 打开供水系统。检查是否漏水。

# Installation Instructions

## Urinal

### Thank You for Choosing KOHLER

---

Need help? Contact our Customer Care Center.

- Mainland China: +(86) 800-820-2628, +(86) 400-820-2628
- Hong Kong (China), Macau (China), Taiwan (China): +(852) 3125-7728
- Care and cleaning: [kohler.com.cn/support/care-and-cleaning/](http://kohler.com.cn/support/care-and-cleaning/)

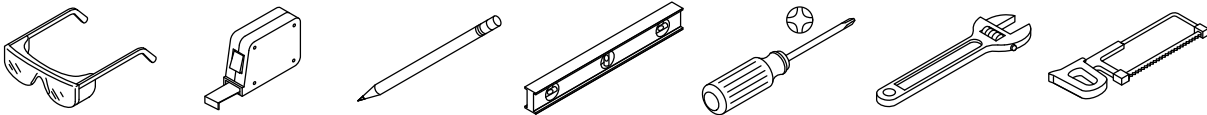
### Warranty

---

This product is covered under the **Three-Year Limited Warranty for KOHLER® Plumbing Products**, found in the packed Compliance Certification.

### Required Tools and Materials

---



#### Additional Required Tools and Materials:

- PVC Glue
- Silicone Lubricating Grease
- Stand to support the urinal during installation

## Before You Begin

---

Turn OFF the water supply.

Follow all local plumbing and building codes.

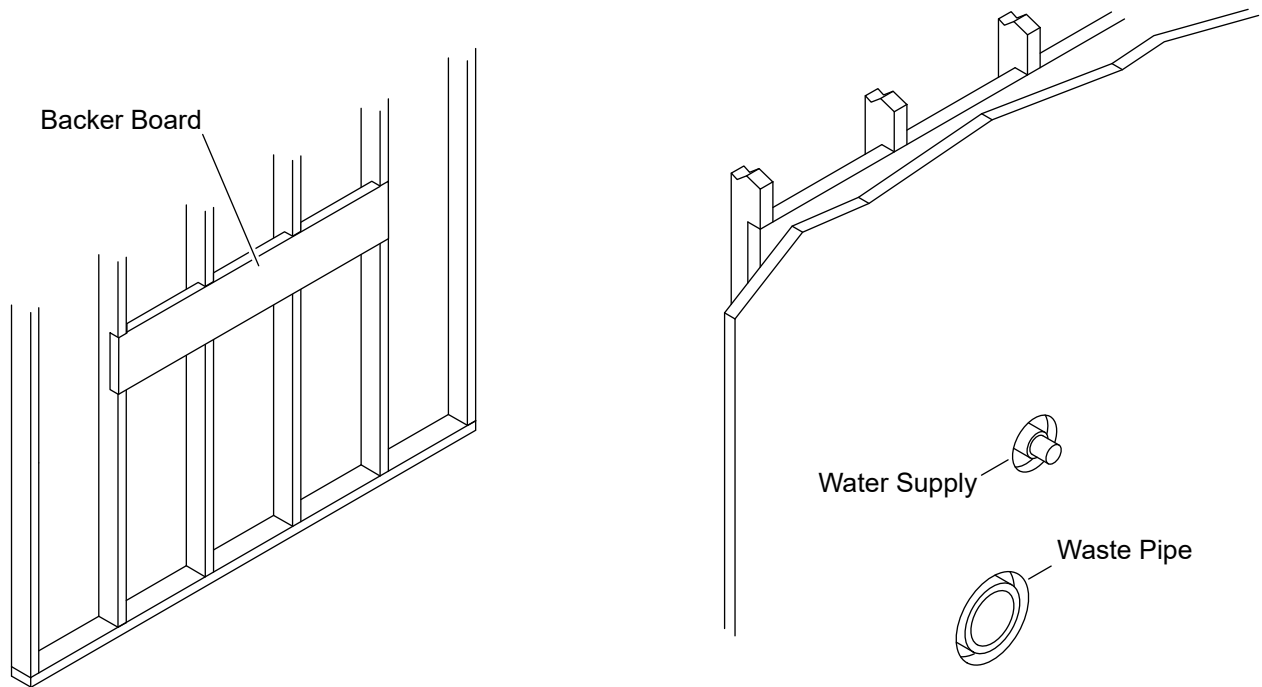
Refer to the Roughing-In Sheet for dimensional information.

Install the flushometer following the manufacturer's instructions.

Install the water supply lines and piping.

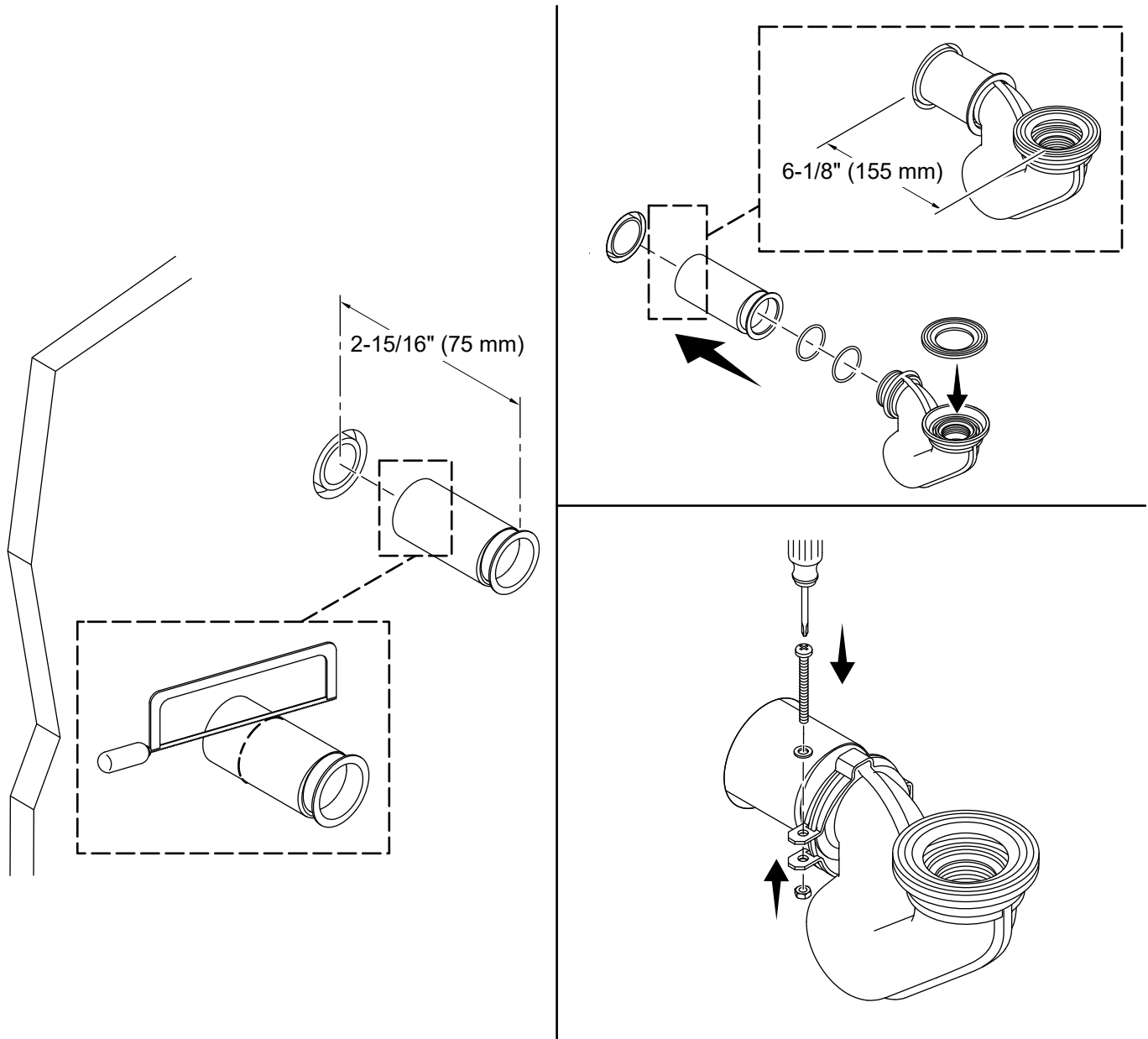
The product complies with GB 6952-2015, GB 28377-2019.

## 1. Prepare the Site



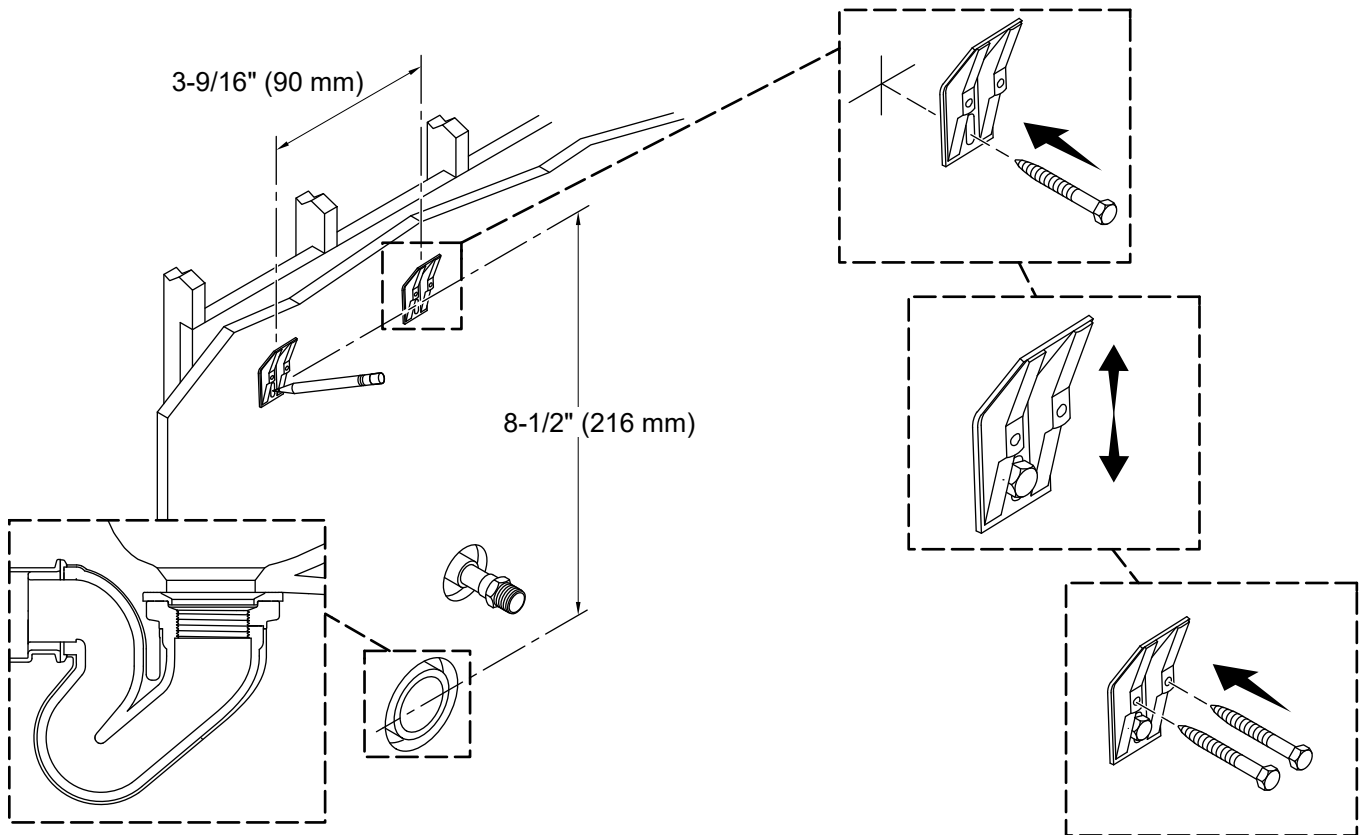
- Install a backer board for additional support, if needed. Verify that the front of the backer board is installed flush with the studs.
- Install a DN50 PVC waste pipe according to the Roughing-In Sheet.
- Install a G1/2 water supply inlet according to the Roughing-In Sheet.
- Install the shut-off valve.

## 2. Prepare the Trapway



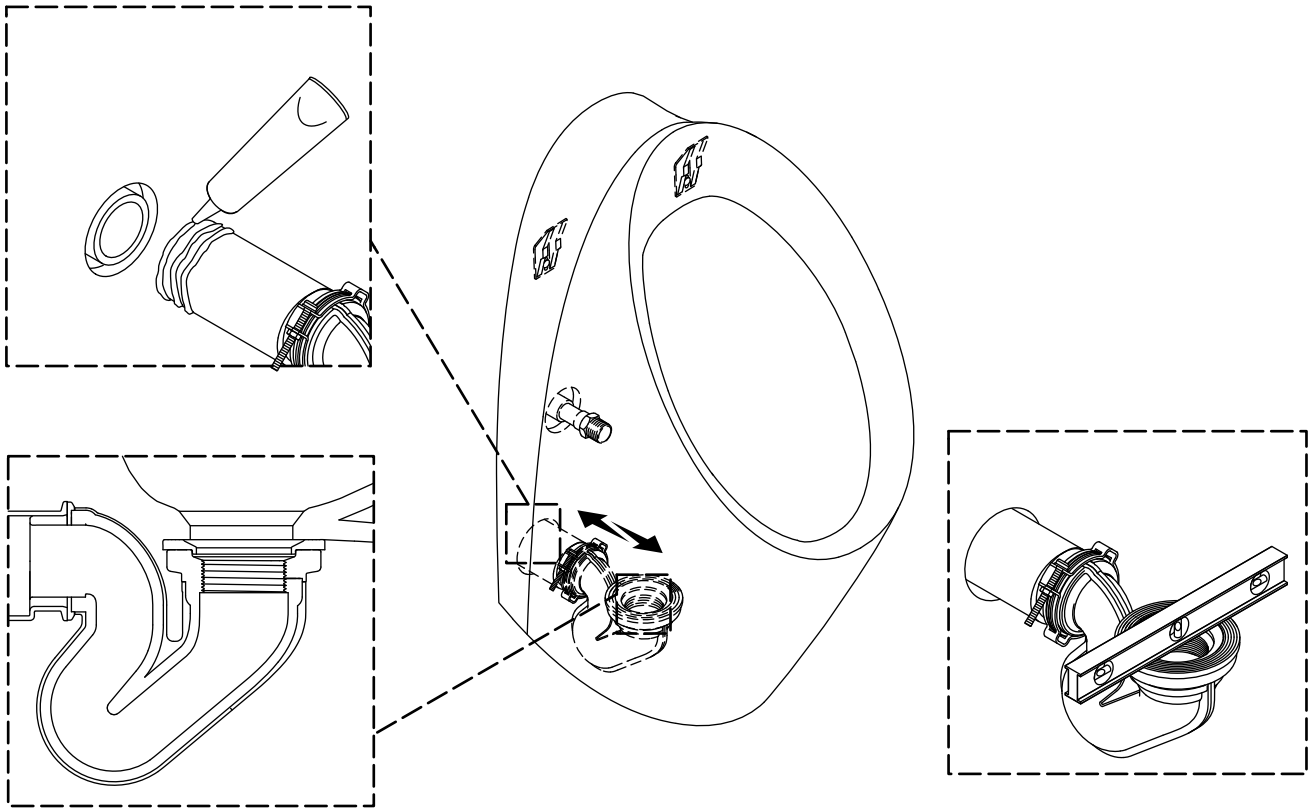
- Loosely install the tube adapter inside the waste pipe 2-15/16" (75 mm) beyond the finished wall. Cut the tube adapter as needed.
- Assemble the trapway and verify that the center of the trapway is 6-1/8" (155 mm) from the finished wall.
- Secure the trapway to the tube adapter with the clamp.

### 3. Install the Wall Hangers



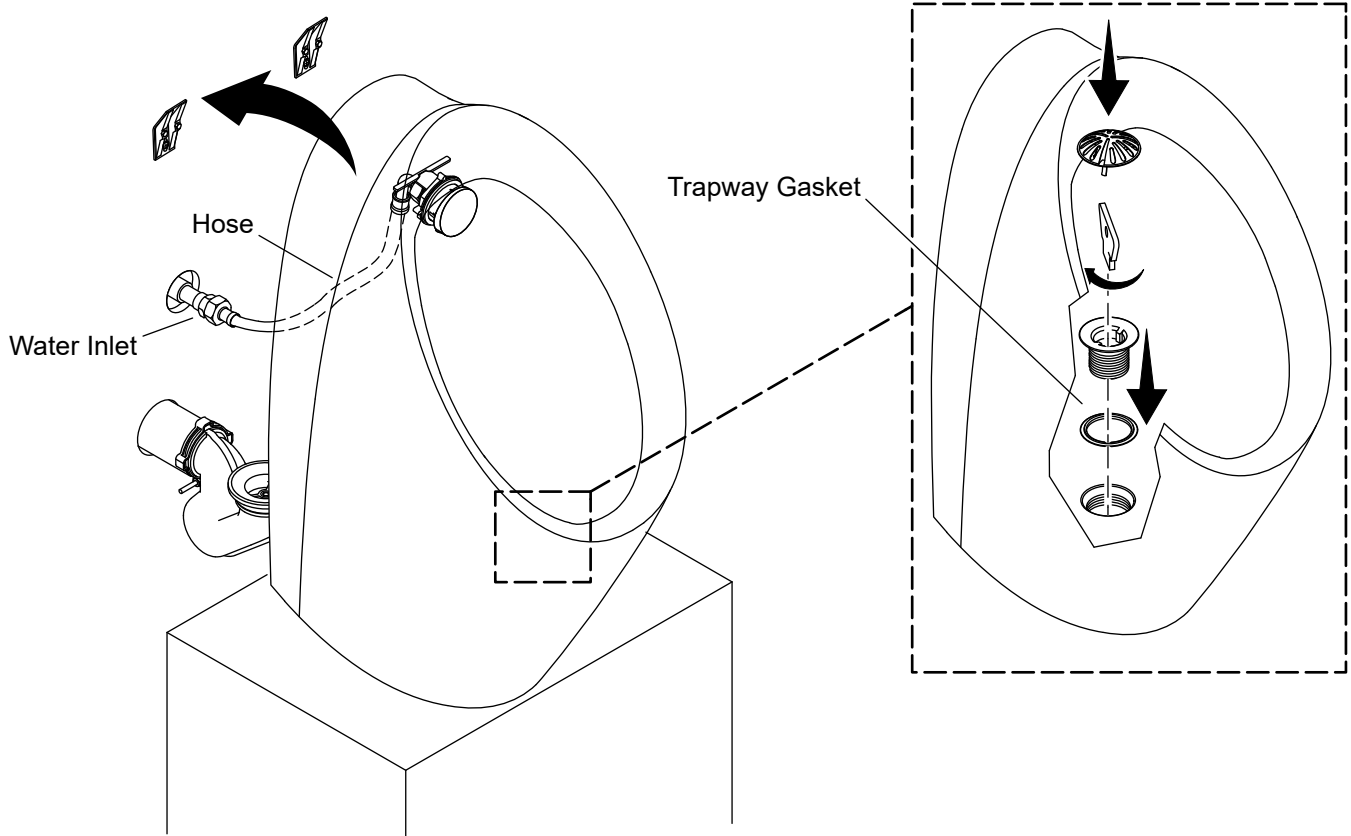
- Position the bottom slot of the wall hangers 8-1/2" (216 mm) above the center of the waste pipe.
- Position the center of the wall hangers 3-9/16" (90 mm) apart and mark the center of the bottom slot for the screws.
- Drill the holes at each location and loosely install a screw through the bottom slot of the wall hanger.
- Carefully hang the urinal on the wall hangers to verify that the urinal will align with the trapway.
- Remove the urinal.
- Position the wall hangers up or down as needed.
- Secure the wall hangers with the provided screws.

## 4. Install the Trapway



- Position the urinal on the wall hangers. Adjust the extension of the trapway to align with the urinal.
- Remove the urinal.
- Apply PVC glue to the outside of the tube adapter.
- Insert the tube adapter into the waste pipe. Verify that the opening of the trapway is level.

## 5. Install the Urinal



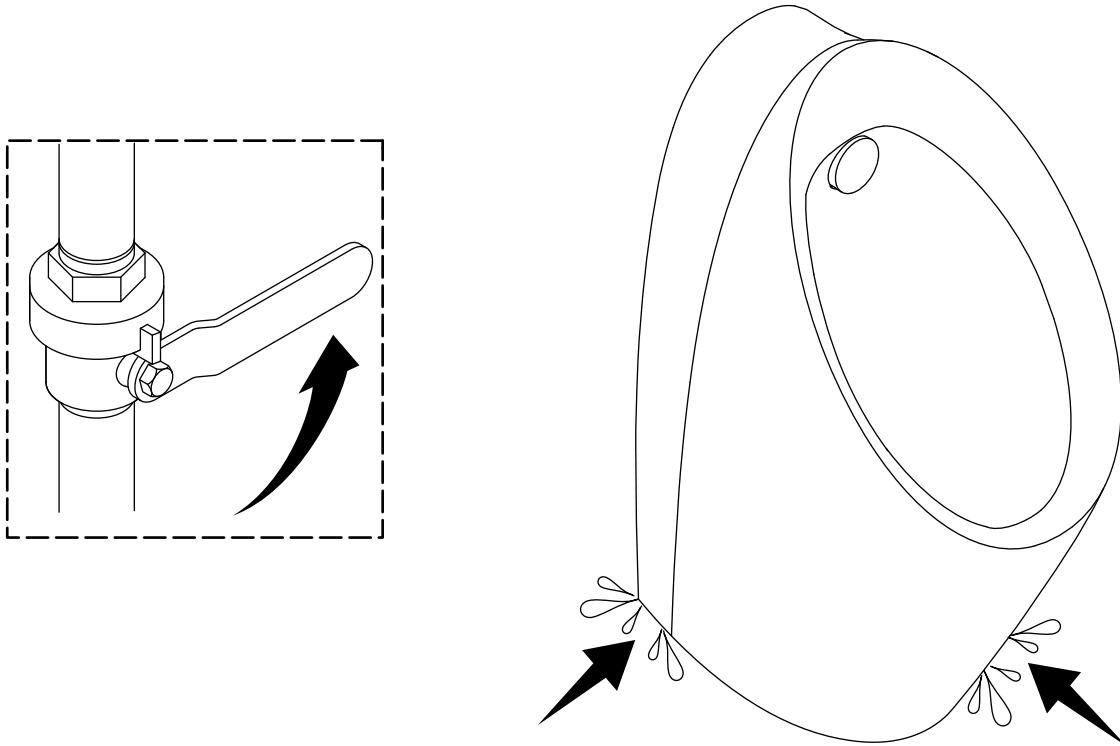
**IMPORTANT!** To avoid damaging the strainer, remove the strainer when cleaning the urinal with abrasive cleaning materials or scouring pads.

- Attach the hose to the urinal. Tighten the hose 1/2-turn past hand-tight.
- Support the urinal on a stand.
- Connect the hose to the water inlet. Tighten the hose 1/2-turn past hand-tight.
- Hang the urinal on the wall hangers. **Do not pinch or kink the hose.**
- Verify that the urinal aligns with the trapway.
- Apply silicone lubricating grease to the trapway gasket.
- Handtighten the collar with the provided tool.
- Install the strainer.



## 6. Complete the Installation

---



**NOTE:** If water splashes or overflows when the urinal is flushed, adjust the water pressure lower using the control stop.

- Pour water down the trapway and check for leaks.
- Install the flushometer following the manufacturer's instructions.
- Adjust the flush flow rate as desired following the manufacturer's instructions.
- Turn ON the water supply.





[kohler.com.cn](http://kohler.com.cn)

THE BOLD LOOK  
OF **KOHLER**®

©2024 Kohler Co.



1586366-T2

1586366-T2-B