



1587827-IN2

Record your model number: _____

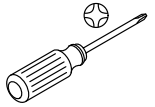
Your product may appear different than the one illustrated. The installation procedure is the same.

7A. Adjust the seat as needed.

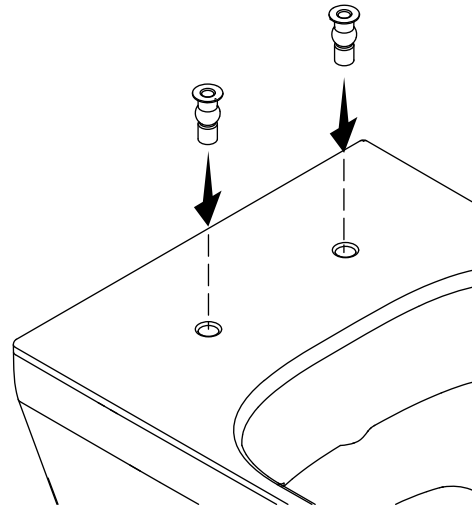
Need help? Contact our Customer Care Center.

- Email: indiacustomercare@kohler.com
- Call: 1800-103-2244
- **Care and cleaning:** Please refer to the Care and Cleaning on the product detail page.

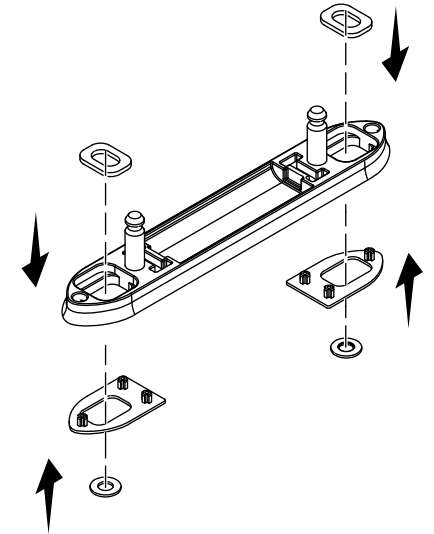
This product is covered under the **KOHLER® India Sanitaryware and Bathing Products Limited Warranty**, found at kohler.co.in/warranty. For a hardcopy of warranty terms, contact the Customer Care Center.



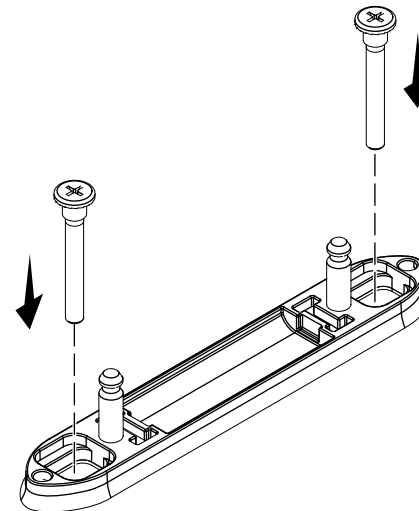
1



2



3



4

