

BEFORE YOU BEGIN

- Please read these instructions carefully to familiarize yourself with the required tools, materials, and installation sequences. Follow the sections that pertain to your particular installation. This will help you avoid costly mistakes. In addition to proper installation, read all operating and safety instructions.
- All information is based on the latest product information available at the time of publication. Kohler China Ltd. reserves the right to make changes in product characteristics, packaging, or availability at any time without notice.
- These instructions contain important care, cleaning, and warranty information-**please leave these instructions for the consumer.**
- Please provide adequate available space for the bath unit in accordance with rough-in. Arrange the location of drain in advance.
- This product complies with JC/T 644.

IMPORTANT:

All installations must comply with council and local authority by-laws. It is the responsibility of the installer to ensure that the waste is made watertight by means of silicone sealant or caulking compound.

NOTE: Bath can be installed after the wall is completed. Bath drain supplies should be arranged preliminarily according to the selected bath.

安装之前

- 请仔细阅读此说明书以熟悉所需要的工具、材料及安装顺序。遵循适合您的特定安装要求的各项内容，避免昂贵的损失。除了要正确安装外，还应阅读操作及安全说明。
- 所有的资料是按最新出版的产品资料编写而成。科勒中国有限公司保留任何时候无须通知即可改变产品特性、包装或产品可供类型的权利。
- 说明书包括重要的安装、清洁及保养方面的内容，请把这些资料交给用户阅读。
- 请根据浴缸结构和尺寸预留相应安装空间，预排落水位置。
- 本产品符合JC/T 644。

重要信息:

所有安装必须符合行业理事业会和地方政府的章程。安装人员有责任保证使用硅胶或填缝材料使污水不泄漏。

注意: 本浴缸可以在浴室墙面完工后安装。但请预先根据所选浴缸预排地漏，供水管。

PRODUCT REQUIREMENTS

A. Summary Of Key Requirements

- Observe all local plumbing codes.
- Install the unit to a level and flat floor.
- LITHOCAST bath is heavy. Please make sure the floor provides adequate support for the bath. With its weight and water consumption marked in the roughing-in, the bath is supported with four 70mmx70mm squared feet. Please evaluate with the data above if your floor provides adequate support for the weight of the bath, water and the user.

产品要求

A. 关键要求的总结

- 请遵守当地的卫生管道施工规范。
- 请在水平和平整的地面上安装浴缸。
- 绮美石浴缸比较重。请确保地面为您的浴缸提供足够的支撑。绮美石的浴缸重量和用水量已经标注在尺寸图上，浴缸是靠4个70mmx70mm见方的脚来支撑重量的。请据此数据来评估您的地面是否足以支撑浴缸，水和使用者的重量。

B. Product Inspection

Uncrate and inspect bath for damage. All Kohler's baths have been manufactured with sophisticated craftsmanship. However, please inspect for any possible damage that may have occurred in transit. Leave all materials in the crate during construction to prevent damage.

NOTE: Damage occurred during transit shall not be covered by warranty.

B. 产品检查

小心地打开包装箱并检查浴缸是否损坏。本浴缸质量上乘。但在搬运过程中，可能会遭到损坏。请仔细检查。施工期间将所有的材料都留在箱内，以防止损坏。

注意：搬运或安装过程中所造成的损坏将不能获得保修。

C. New or Replacement Installation Requirements

This bath can be installed in new or existing bathrooms. For replacement: Remove the old bath. Remove any old plumbing that does not conform to the rough-in requirements.

For new installation: Position the plumbing according to the rough-in dimensions. Cap the suppliers, and check for leaks.

C. 安装新浴缸或旧浴缸要求

无论新的和旧的浴室本产品均适合安装。
更换旧浴缸：搬去旧浴缸。拆除任何不配新浴缸尺寸的旧管道。

安装新浴缸：按安装尺寸图铺设管道。堵塞供水管，并检查渗漏。

INSTALLATION REQUIREMENTS

安装要求

A. Tools Required B. Materials Required

- Adjustable pipe wrench
- Rule
- Level
- Safety shoes
- Safety glasses
- Square
- Screwdriver
- Pliers
- Utility knife
- Adjustable wrench
- Plumbers putty
- Wall coverings(as necessary)
- Silicone sealant
- Gypsum cement(optional)
- Construction adhesive (optional)
- Protective covering for bathtub

A. 所需工具

- 管道扳手
- 刻度尺
- 水平仪
- 安全鞋
- 安全眼镜
- 直角尺
- 螺丝刀
- 钳子
- 多用工具刀
- 活动扳手

B. 所需材料

- 管道用油灰
- 墙面保护罩(如需要)
- 密封硅胶
- 石灰水泥(选用)
- 建筑粘胶(选用)
- 浴缸保护套

C. Installation Note:

Read the entire installation instructions included with fixture before beginning the installation.

C. 安装须知:

安装之前请仔细阅读说明书的所有步骤。

D. Clearance Requirements

Check the rough-in and room dimensions to provide adequate available space for the bath unit.

D. 预留尺寸

检查安装尺寸及浴室尺寸，确保有充分的空间安装浴缸。

SITE REQUIREMENTS

场所要求

A. Subfloor Preparation

Check the flooring under the bath, and make repairs as needed. Make sure the subfloor is level and flat. It is strongly recommended to prepare waterproof layer for the subfloor beforehand.

A. 底层地板的准备

检查浴缸下的地面，若需要请进行修补。请确保底层地面水平和平整，对底层地面做防水处理。

BEFORE INSTALLING UNIT

安装浴缸之前

A. Protect the Bath Unit

Position a protective covering or similar material in the bottom of the unit. Be careful not to scratch the bath surface.

A. 保护浴缸

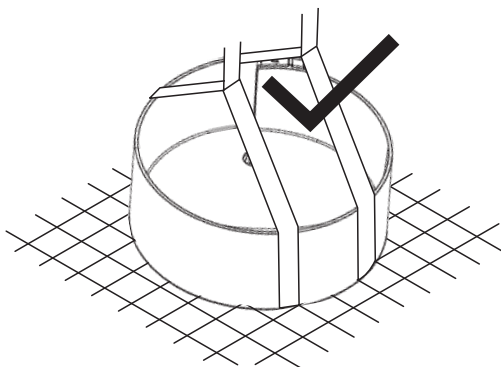
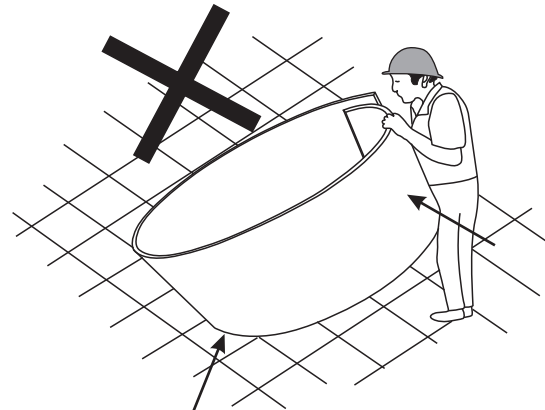
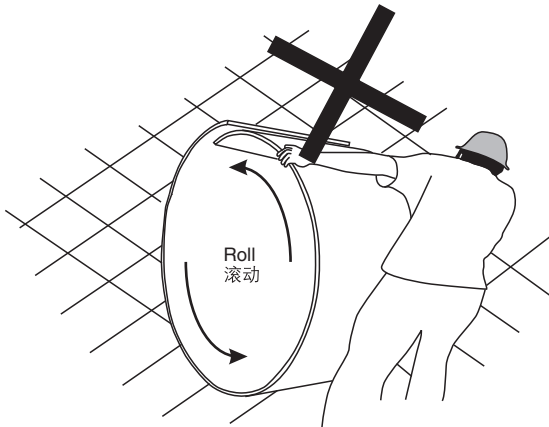
在浴缸表面盖上保护套或类似的材料，小心不要划伤浴缸表面。

B. Transport the Bath

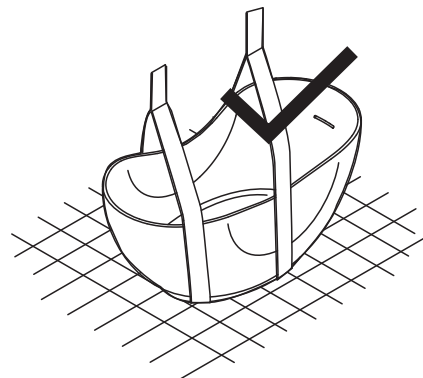
- ⚠ Risk of property damage. Be careful when transporting the bath.
- ⚠ Risk of property damage. Do not roll the bathtub. It needs to be lifted and moved horizontally. It is recommended to use lifting straps.
- ⚠ Risk of property damage. If the bathtub temporarily needs to be put on the floor vertically, please prepare buffer materials. Do not let the edge of the bathtub touch the floor alone.

B. 搬运浴缸

- ⚠ 搬运时须注意安全，防止浴缸磕碰及意外损伤。
- ⚠ 勿滚动浴缸，否则将造成损伤，需要平行搬运，建议采用搬运带。
- ⚠ 若临时短暂竖直浴缸时地面要垫缓冲材料，切勿因此让浴缸边缘集中受力，否则将造成损伤。



Lift and move horizontally with lifting straps
采用搬运带平行搬运



Lift and move horizontally with lifting straps
采用搬运带平行搬运

INSTALL THE BATH

安装浴缸

A. Plumbing Installation

The drain has been installed onto the bath before it leaves factory. Fill the bath with water before the bath is securely positioned so as to check the supply connections for leaks. Kohler Co. shall not be liable under its warranty or otherwise for damage caused by negligence.

Note: Take extra care to prevent bath bottom and subfloor from damage.

A. 安装卫生管道

浴缸排水在出厂之前已为您安装在浴缸上。在浴缸就位前请注水再次仔细检查各接头处是否有渗漏。疏忽导致的损坏，不能获得工厂的保修。

注意：避免损坏浴缸底部和底层地板。

B. Locate the bath in the proposed position

1. Lift the stone bath by about 30cm from the floor. You can support the bath with 30cm-height-blocks beneath its bottom.

IMPORTANT:

- The bath must be installed level on all top edges. Floor should be flat, level and free of any bumps or protrusions.
2. The drain of the bath is instructed to the bath beforehand. Please insert the drain hose to the floor drain, and seal the connection of hose and the floor drain with silica gel. Please set apart some spare length of the hose ,in case of future bath maintainance.
3. Place the bath on the floor. Put the spirit level to the upper level of the bath to measure the levelness. If the bath is not level, please put sheet metal under the bath to raise it up. You might need to lift the bath several times.

B. 将浴缸放在合适的位置

1. 将浴缸抬起离地面30厘米左右。您可以用30厘米高度的木块或其他支撑物，支撑在浴缸底部四个脚下。

注意：

- 浴缸必须水平安装。底层地板必须水平。不得有凹凸不平的现象。
2. 浴缸排水已经预先安装到了浴缸上。请把排水软管插入您的地漏，并用硅胶密封软管与地漏之间的连接处。请保持软管留有一定的长度，以便于以后维修浴缸。
3. 把浴缸放到地面上。用水平尺放到浴缸上平面，测量浴缸水平度。如果不水平，请在浴缸脚底部垫上金属薄片来调整浴缸的水平度。这可能需要抬起浴缸几次。

IMPORTANT CONSUMER INFORMATION

重要的用户资料

Cleaning and Care

Cleaning LITHOCAST Surfaces: Do not use abrasive cleansers on any LITHOCAST surfaces, as they will scratch and dull the surface. Wipe out the bath after each use to prevent a build-up of soap and scum.

Please consult the user's guide for detail application and care methods.

清洁和保养

清洗绮美石表面：请勿在绮美石表面使用磨损性的清洁用具，以免擦伤浴缸表面，使其失去光泽。每次使用后，将浴缸擦干，以防止肥皂和污垢沉积。

具体的使用和保养方法请参照客户使用指南。