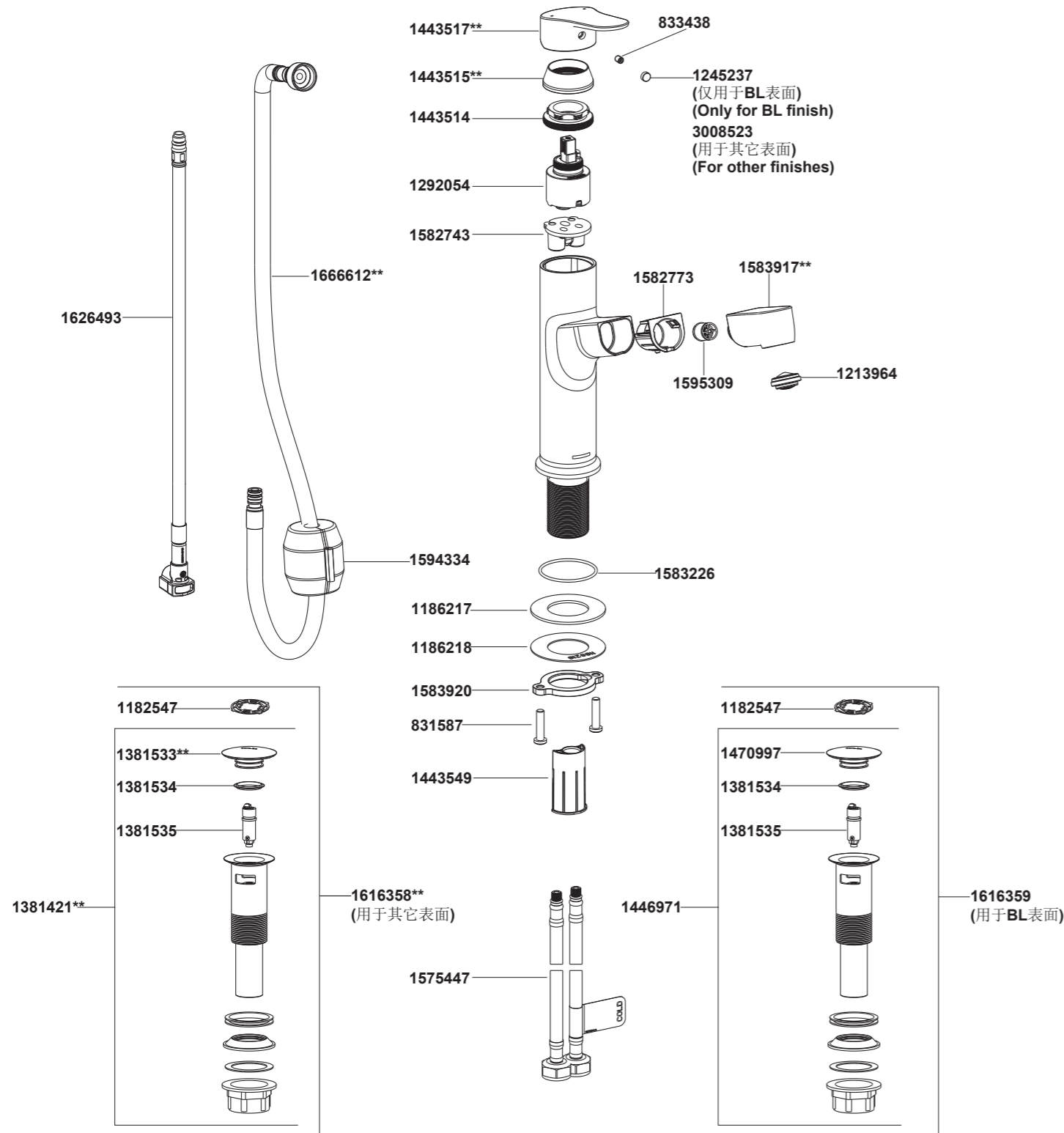


30098T-4 梳洗脸盆龙头



**订购时请说明颜色编号
**Color code must be specified when ordering

30098T-4 梳洗脸盆龙头

安装之前

所有的资料是按最新出版的产品资料编写而成。科勒公司保留任何时候不经通知即可改变产品特性、包装或产品可供类型的权利。

说明书包括重要的安装、保养及清洁方面的内容，请把这些资料交给用户阅读。

注意事项：

1. 一定要先彻底冲洗供水管以清除管道中的杂质。
2. 如果是安装新的脸盆，可将水龙头先装到脸盆上。
3. 推荐工作压力：2~5bar。
4. 花洒最高工作压力：0.5MPa(5bar)。水压超过0.5MPa(5bar)须安装减压阀。花洒最高工作温度及环境温度：60°C。请特别注意花洒须远离加热器，否则可能损坏花洒及密封件，甚至对使用者造成伤害

BEFORE YOU BEGIN

All information is based on the latest product information available at the time of publication. Kohler Co. reserves the right to make changes in product characteristics, packaging, or availability at any time without notice.

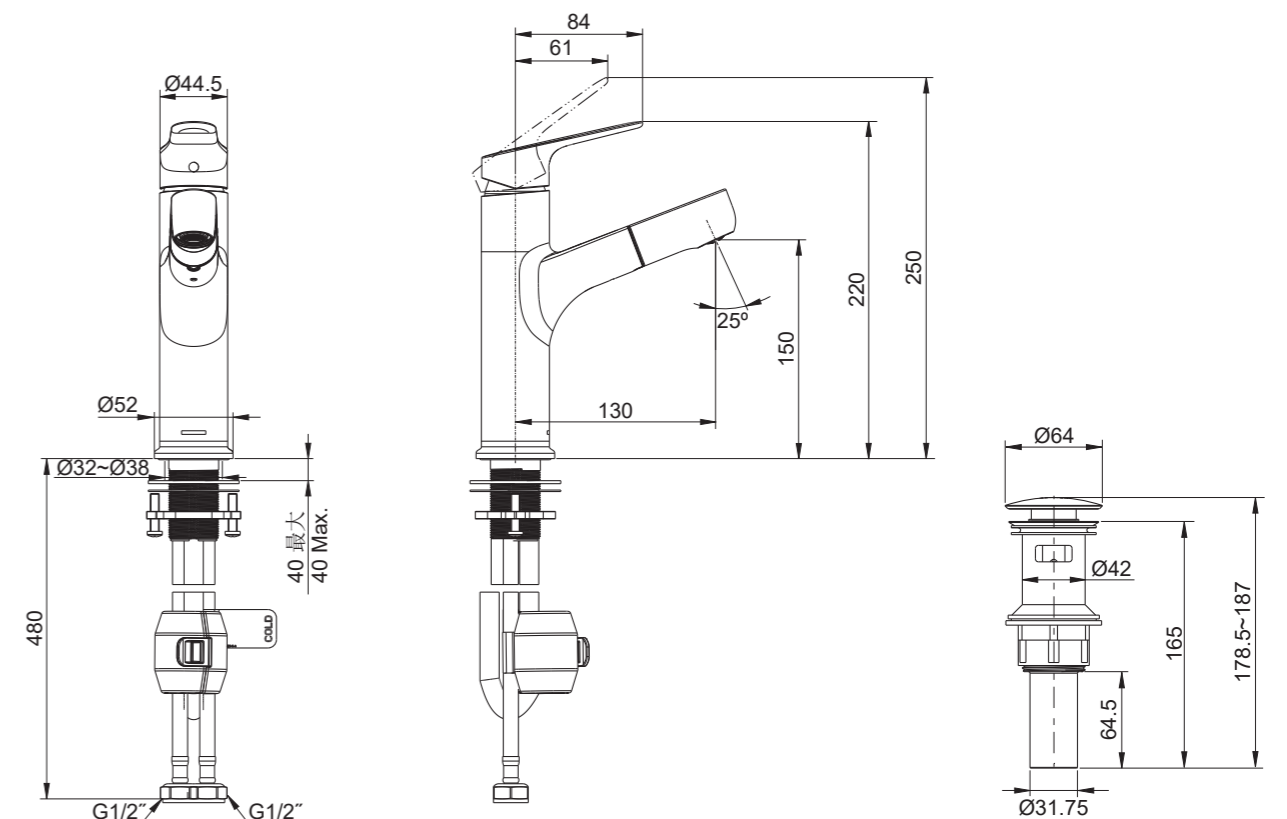
Please leave these instructions for the consumer. They contain important information.

NOTES:

1. Flush the water supply pipes thoroughly to remove debris.
2. For new installations, assemble the faucet to lavatory before installation.
3. Recommended working pressure: 2 to 5bar.
4. The highest working pressure for spray is 0.5MPa (5bar). If it exceeds 0.5MPa(5bar), a pressure reducer is needed. The highest water and environment temperature is 60°C. Please keep spray away from heater, or it may become damaged and cause to injury to the user.

安装尺寸

ROUGH-IN DIMENSIONS



安装步骤

如何安装水龙头

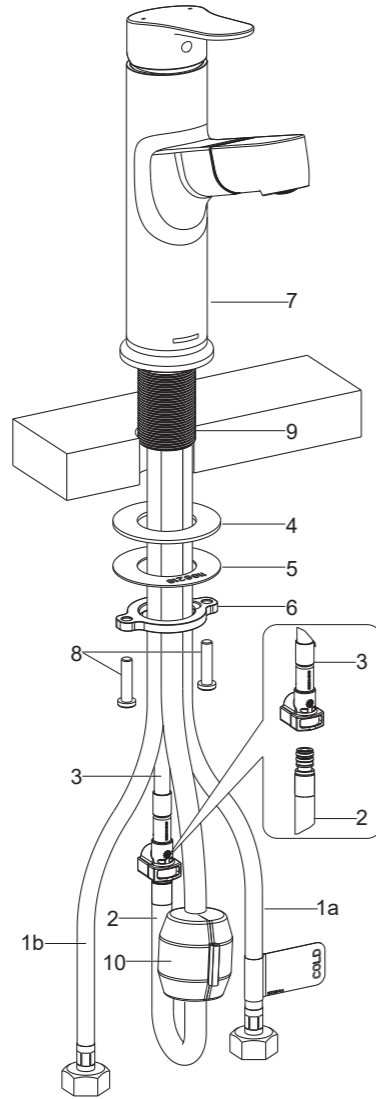
注意：为使安装顺利，在指示需将软管(1a、1b、2、3)穿过垫片(4、5)，安装环(6)和脸盆安装孔时，请按如下顺序：进水软管(1a)、进水软管(1b)、抽拉软管(2)、出水软管(3)。

从脸盆上方将水龙头组件(7)连同软管(1a、1b、2、3)插入脸盆安装孔中，使本体底部接触台面。

确保螺钉(8)旋入安装环(6)螺钉孔。从脸盆下方分别将软管(1a、1b、2、3)依次穿过橡胶垫片(4)、垫片(5)和安装环(6)，旋紧安装环到牙管(9)上直至垫片紧贴脸盆底部，确保水龙头位置正确，拧紧螺钉(8)以固定水龙头。

把进水软管(1a & 1b)接到水源上，贴有“COLD”标签的软管(1a)连接冷水，另一根没有标签的软管(1b)连接热水。

将抽拉软管(2)插入出水软管(3)。将重锤(10)装到抽拉软管上，并调整到位置距龙头底面距离合适后扣紧。



INSTALLATION

How to Install the Faucet

NOTE: To easy installation, when it is indicated to put the hoses(1a, 1b, 2, 3) into the washers(4, 5), threaded ring(6), and the mounting hole of the basin. Please following below sequence: inlet hose(1a), inlet hose(1b), pull-out hose(2), outlet hose(3).

From upside, insert the faucet assembly (7) and hoses(1a, 1b, 2, 3) into the mounting hole. Ensure the body bottom is against the deck.

Pre-install the screws(8) into the screw holes of the threaded ring(6). Put the hoses(1a, 1b, 2, 3) into the rubber washer(4), washer(5) and threaded ring(6) from underside of the basin. Thread the threaded ring onto the shank(9) until the washers contact the underside of the basin. Ensure the faucet is positioned correctly. Tighten two screws(8) to secure the faucet.

Attach the hoses(1a & 1b) to water supplies. The hose(1a) with “COLD” label should be connected to cold water. The hose(1b) without label should be connected to hot water.

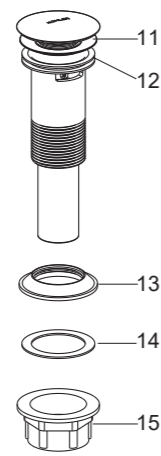
Insert the pull-out hose(2) into the outlet hose(3). Install the weight(10) onto the pull-out hose. Adjust the weight so that the distance is right from the faucet bottom to the weight. Tighten the weight.

如何安装排水器

把锁紧螺母(15)、塑料垫片(14)和橡胶垫圈(13)从排水本体上依次取下，把排水本体带橡胶垫片(12)从脸盆上部孔插入，再依次将橡胶垫圈(小面朝上)、塑料垫片和锁紧螺母从排水本体底部装入。将锁紧螺母锁紧。

注意：如果需要，可直接在排水器法兰(11)底面沿周围涂一圈密封油灰或其他密封剂，而不使用橡胶垫片(12)。

在锁紧螺母拧紧后，不可调整排水本体的位置，否则会破坏油灰密封或密封剂密封。



How to Install the Drain

Remove the locknut(15), plastic washer(14) and rubber gasket(13) from the drain body. Insert the drain body with rubber washer(12) into the lavatory. Put the rubber gasket (Tapered side up), plastic washer and locknut back to the drain body in turn. Tighten the locknut.

NOTE: If needed, apply a ring of plumbers putty or other sealants around the underside of the drain flange(11), instead of using rubber washer(12).

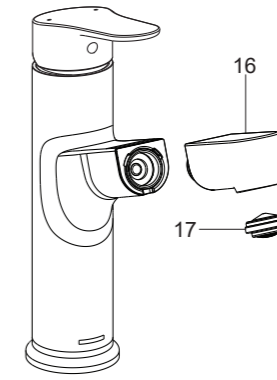
Do not reposition the drain after the locknut is tightened, or you may break the putty or sealant seal.

安装结果检查

检查并确保所有衔接螺母都已拧紧，确保把手在关闭位置。

打开排水器和主要供水源，检查是否有漏水。如有漏水，修理之。

将花洒(16)拆下，打开水龙头冷热水，让水流约一分钟以清除杂质。拆下起泡器(17)并冲洗。关闭水龙头，重新装回起泡器和花洒。



INSTALLATION CHECKOUT

Ensure that all connections are tighten. Ensure the handle is in the off position.

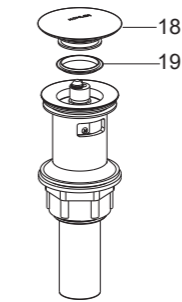
Turn on the drain and main water supply, and check for leaks. Repair as needed.

Remove the spray(16). Run hot and cold water for about one minute to remove any debris. Remove the aerator kit(17) and flush it. Shut off the faucet. Reinstall the aerator kit and spray.

如何清理排水器

逆时针旋下排水器止水塞(18)，取出并清理止水垫(19)。

重新装回止水塞、止水垫。



How to Clean the Drain

Turn counter-clockwise to unscrew the drain stopper(18). Remove and clean the washer(19).

Reinstall the washer and drain stopper.

使用说明

将把手轻轻提起，顺时针旋转为热水，逆时针旋转为冷水。

清洗说明

适用于所有加工处理过的表面：以中性肥皂水清洗镀层表面，再以干净的软布彻底擦干整个表面，许多清洁剂，比如氨水、去污粉及洁厕灵等，会对电镀表面造成伤害，切忌使用。

有磨损性的清洁用具或清洁剂也不可适用于科勒牌的水龙头及其配件上。

HANDLE OPERATION

Lift the handle gently. Turn clockwise for hot water, turn counter-clockwise for cold water.

CLEANING INSTRUCTIONS

All Finishes: Clean the finish with mild soap and warm water. Wipe entire surface completely dry with clean soft cloth. Many cleaners may contain chemicals, such as ammonia, chlorine, toilet cleaner etc. which could adversely affect the finish and are not recommended for cleaning.

Do not use abrasive cleaners or solvents on Kohler faucets and fittings.