

23766T-4 感应下抽拉厨房龙头

安装之前

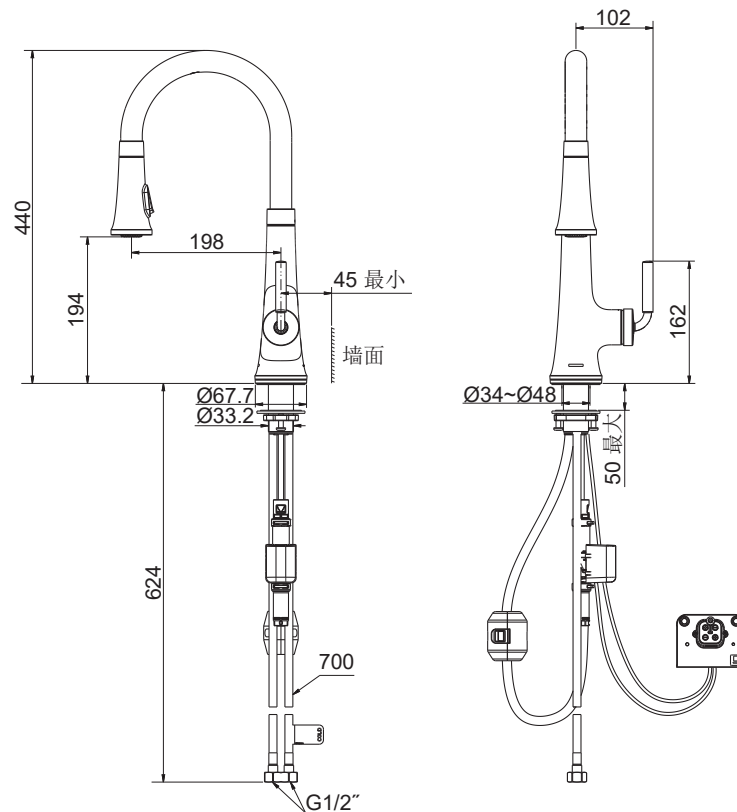
所有的资料是按最新出版的产品资料编写而成。科勒公司保留任何时候不经通知即可改变产品特性、包装或产品可供类型的权利。

说明书包括重要的安装、保养及清洁方面的内容，请把这些资料交给用户阅读。

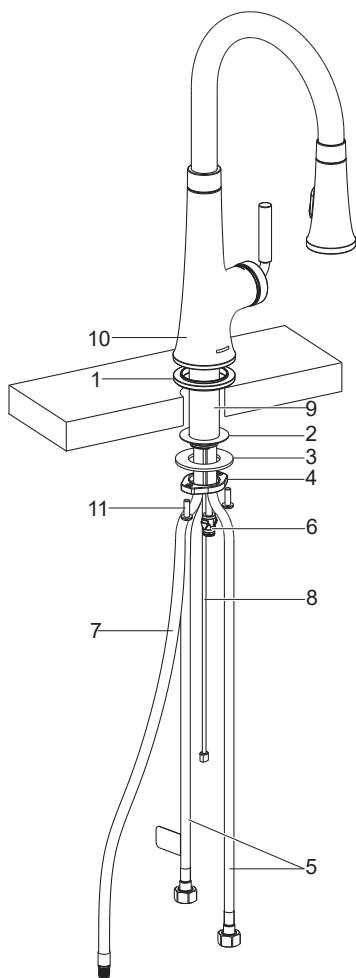
注意事项：

1. 一定要先彻底冲洗供水管以清除管道中的杂质。
2. 如果是安装新的洗涤盆，可将水龙头先装到洗涤盆上。
3. 花洒最高工作压力：**0.5MPa(5bar)**。水压超过**0.5MPa(5bar)**时必须安装减压阀。花洒最高工作温度及环境温度：**60°C**。请特别注意花洒同花洒连接的臂管须远离加热器，否则可能损坏花洒及其密封件，甚至对使用者造成伤害。
4. **人身损害或财产损失风险**。开始安装前，请从头到尾阅读产品说明。
5. **财产损失风险**。水龙头出水口里有一块磁铁。切勿让易受电磁损坏的物品靠近出水口。
6. 严格遵守一切管道铺设、电气和建筑规范。
7. **淡水污染风险**。这个水龙头有反虹吸保护装置。切勿拆下任何内部部件。
8. **产品损坏风险**。本产品含有敏感的电子元件。切勿将打开的化学或清洁产品容器存放在本产品附近。
9. 安装控制盒时，确保重锤不干涉控制盒或电线连接。
10. 留出足够的维修空间：
 - ①安装水龙头之前，确保水槽下面的橱柜区域能够容纳所有需要的组件。
 - ②考虑后续步骤中涉及到的连接，确保控制盒位置留有足够的空间用于抽拉软管和重锤的操作使用。
11. 水嘴加施的水效标识表明本产品的的水效等级等性能符合GB25501-2019《水嘴水效限定值及水效等级》的要求，是产品符合性的一种标识。

安装尺寸



安装步骤



如何安装水龙头

注意：为使安装顺利，在指示需滑动底座(1)、垫片(2、3)和安装环(4)到供水软管(5)、抽拉软管(7)、电线(8)和出水管(6)上时，请按如下顺序：供水软管(5)、抽拉软管(7)、电线(8)和出水管(6)。

□滑动底座(1，有泡沫的面朝下)到供水软管(5)、抽拉软管(7)、电线(8)、出水管(6)和牙管(9)上，并置于水龙头(10)底部。

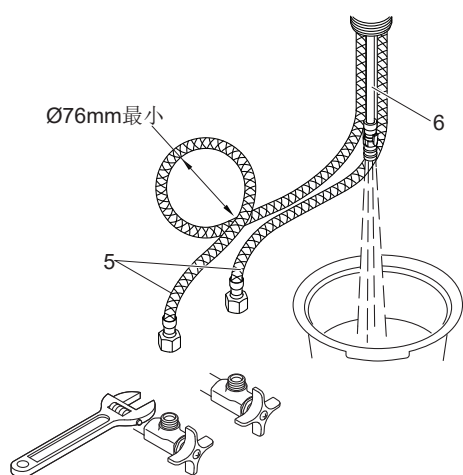
□从厨盆上方将水龙头组件插入台面安装孔中，使底座底部接触台面，且把手置于右边。

□确保螺钉(11)旋入安装环(4)螺钉孔。

□从厨盆下方依次分别滑动垫片(2)、金属垫片(3)和安装环(4)到供水软管(5)、抽拉软管(7)、电线(8)、出水管(6)和牙管(9)上，旋紧安装环直至垫片紧贴厨盆底部，确保水龙头位置正确。

□用十字螺丝刀拧紧螺钉(11)以固定水龙头。

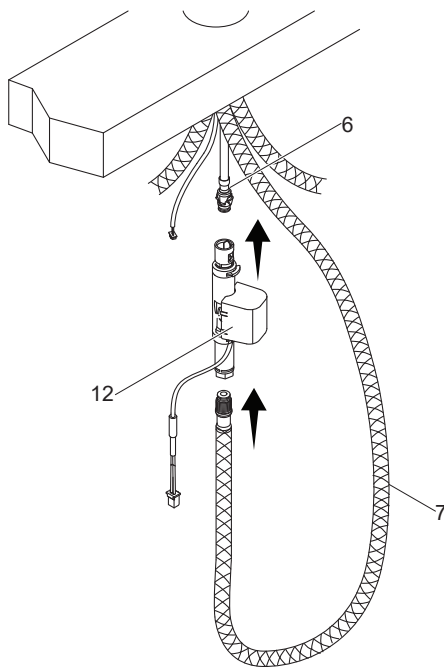
如何连接软管



□把供水软管(5)连接到水源上，贴有“COLD”标签的软管连接冷水，另一根软管连接热水。

□打开冷热水源及龙头把手，让水流出约一分钟左右后，关上把手及冷热水源，以清除管道中的杂质。

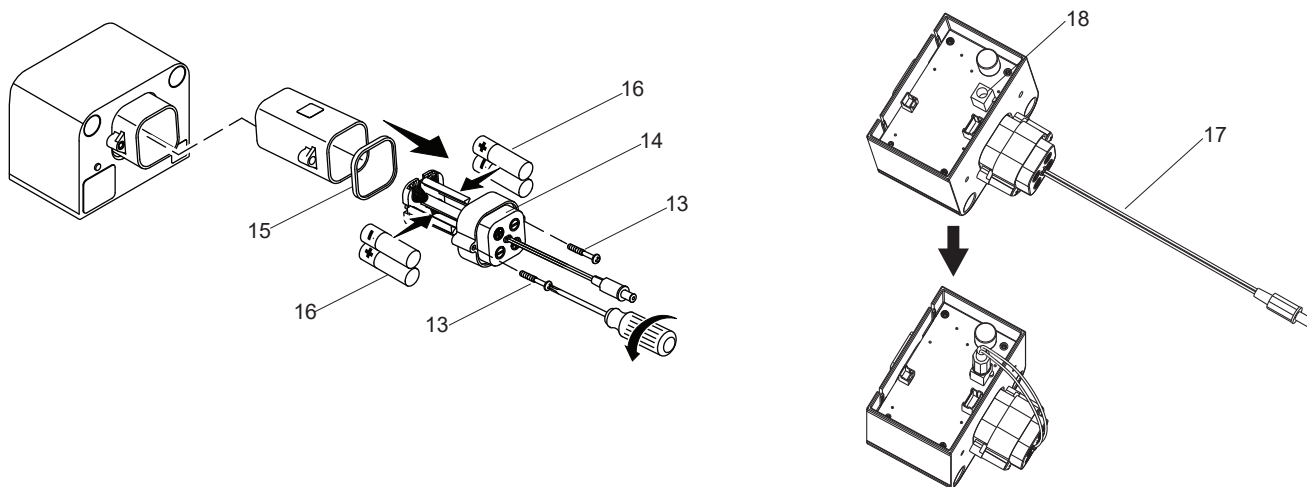
注意：安装过程中，供水软管不得绷紧、打结或缠绕。如不得不盘绕，则保持不小于Ø76mm的内径。



如何安装电磁阀

注意：存在水流受限和产品损坏风险。安装时，抽拉软管(7)不得绷紧、扭结或扭曲。

- 将抽拉软管手动拧紧到电磁阀(12)中。
- 将电磁阀上的入口接头推到出水管(6)上，直到听到咔嗒声。



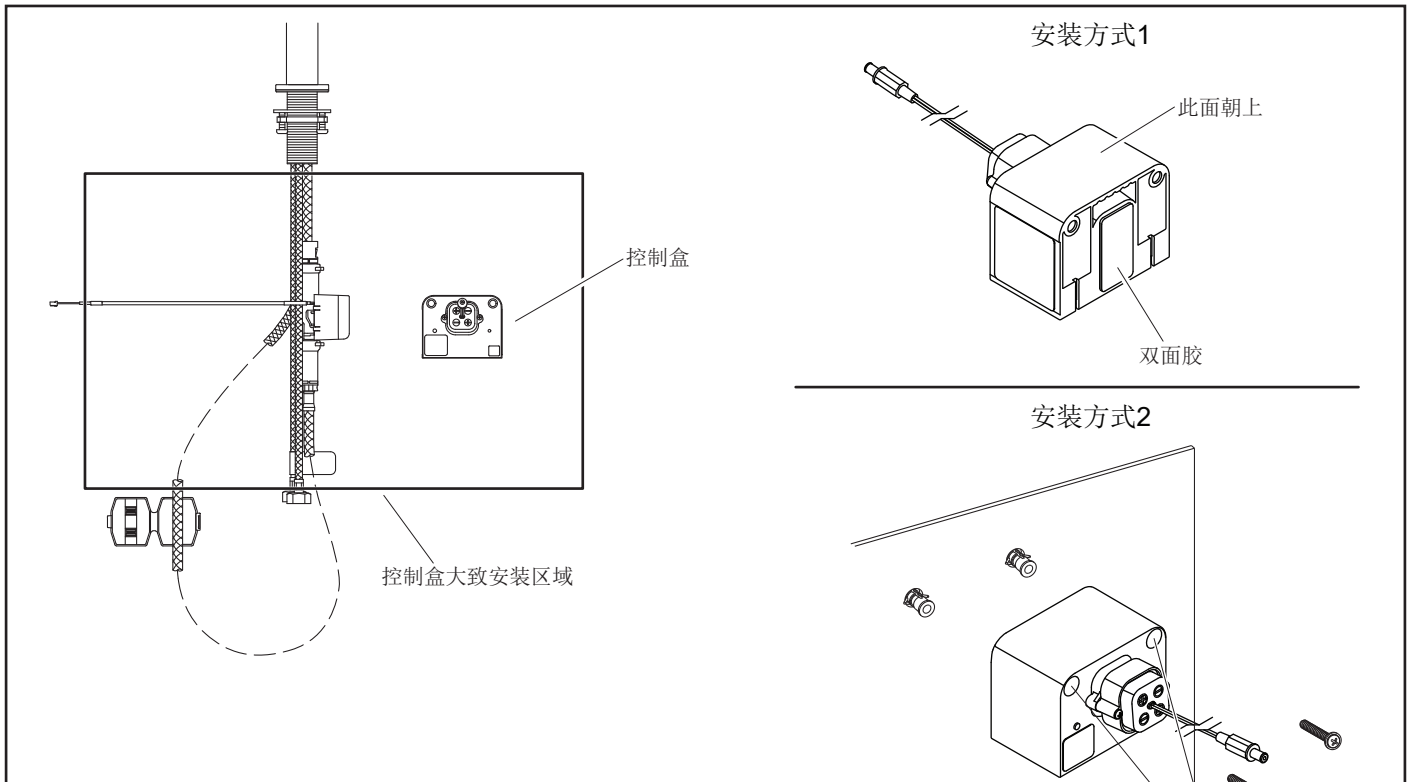
如何安装电池盒

警告：请勿使用锂离子电池，锂离子电池与水接触会引起火灾。

重要！请勿使用可充电电池。

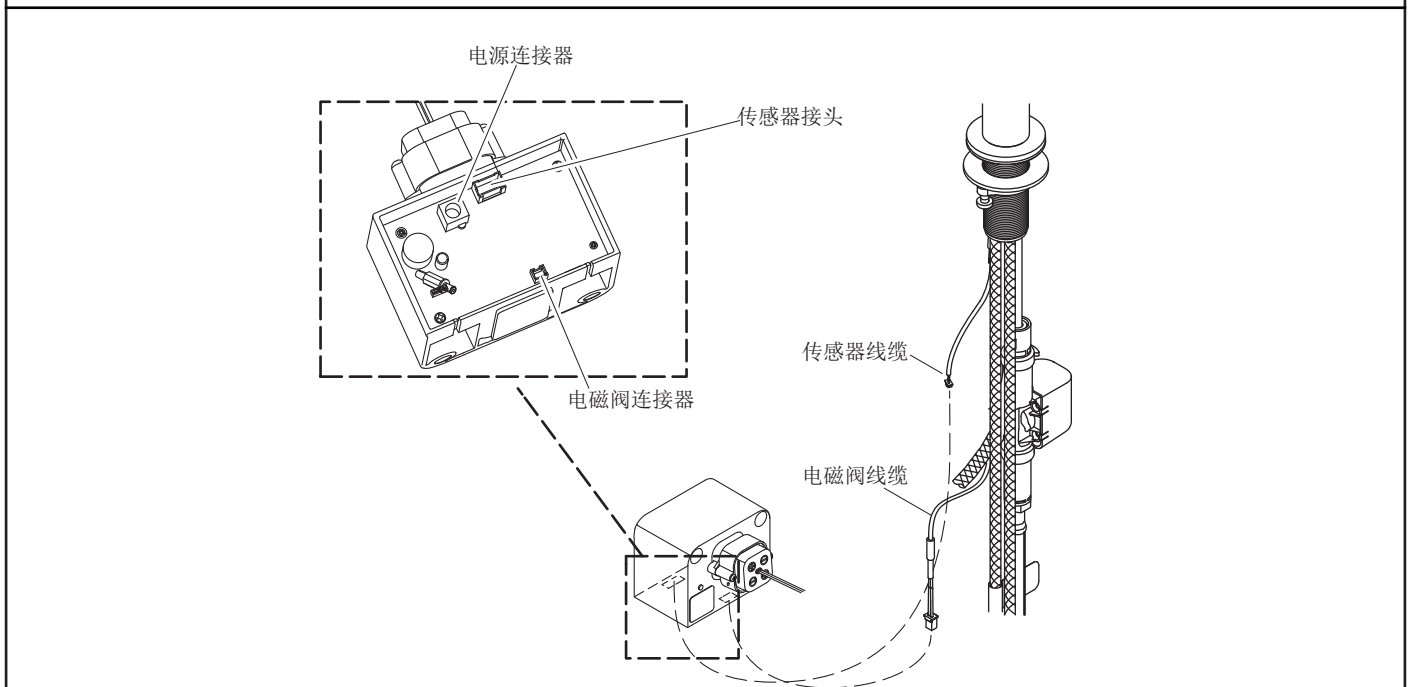
重要！请勿混用新旧电池。

- 松开两颗螺钉(13)，取下电池盒盖(14)和垫片(15)。
- 将四节5号电池(16)按正确方向插入电池盒中。
- 放回垫片，重新安装电池盒盖，并用螺钉锁紧。
- 将电池盒放入控制盒内部。
- 将电池线缆(17)插到阀盒的电源座(18)。
- 电池更换时，确认阀盒上的传感器未被激活。



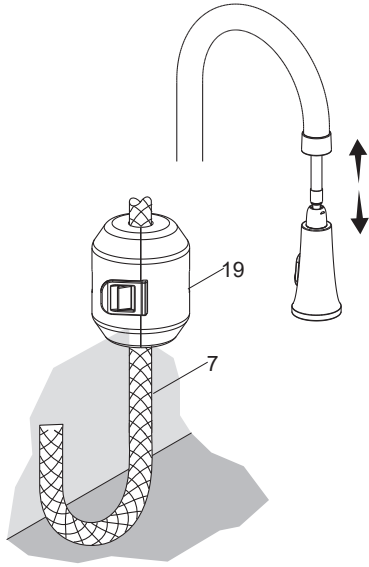
如何安装控制盒

- 将控制盒安装到柜子内部墙上。
- 安装控制盒前，请确认安装位置是否允许连接传感器线缆和电磁阀线缆。
- 在墙上标记控制盒的位置，并确定最佳安装方式：
- 安装方式1：用自带双面胶将控制盒粘到墙上。
- 安装方式2：使用随附的两个螺钉将控制盒固定到墙上。
- 检查控制盒是否水平，电池盒是否牢固安装在控制盒上。



如何连接控制盒

- 如图所示，电磁阀线缆、传感器线缆分别与控制盒连接。
- 检查线缆是否与软管缠绕，移动软管是否顺畅。

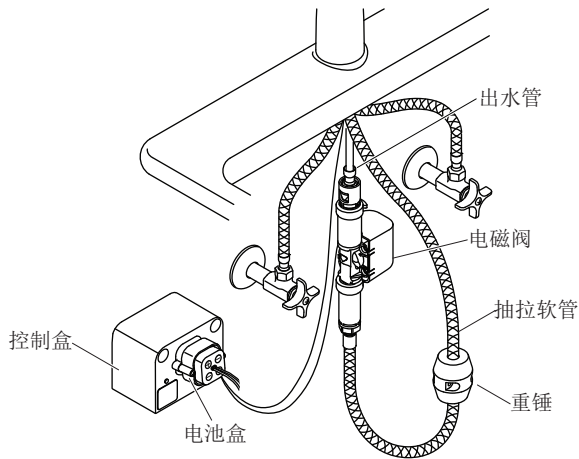


如何安装重锤

注意： 确保重锤(19)不干涉电磁阀或电线连接。

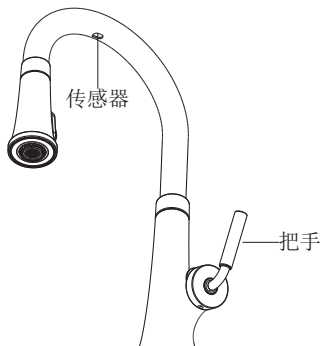
- 将重锤连接到抽拉软管(7)上。
- 将重锤调整到合适位置。
- 测试抽拉效果，检查是否抽拉顺畅。

安装结果检查



- 检查并确保所有衔接处都已拧紧。
- 确保把手在关闭位置。
- 打开主水源和排水系统。
- 检查并修理有漏水的接口。

使用说明



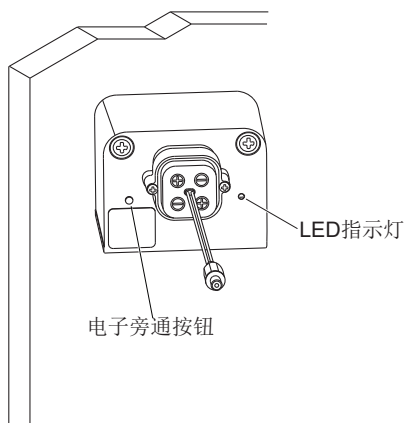
如何操作龙头

注意： 长时间不使用时，应将把手返回到关闭位置。

- 向外旋转把手至打开位置，启动水流。
- 调节把手至所需的温度。
- 在传感器下方挥手，关闭水流。
- 再次在传感器下方挥手，重新启动水流。

功能

- 自动关闭：** 静置4分钟后，水流将自动关闭。
- 低电量LED：** 红色LED每6秒闪烁一次，表示电量不足，水龙头将继续运作。当红色LED持续闪烁时，表示无电量，水龙头无法工作。



如何手动操作

电子旁通

□要以电子方式绕过电磁阀，请按下旁通按钮。红灯闪烁3次，表示传感器将被禁用，可以手动使用水龙头。

□要退出电子旁通，再次按下按钮，指示灯将闪烁6次，表示传感器处于活动状态，请打开把手确认是否可以使用无接触模式。

手动旁通

□如果电磁阀无法正常工作且无法通过电子方式绕过，则可以手动绕过电磁阀。

□关闭水流，打开把手释放水压。

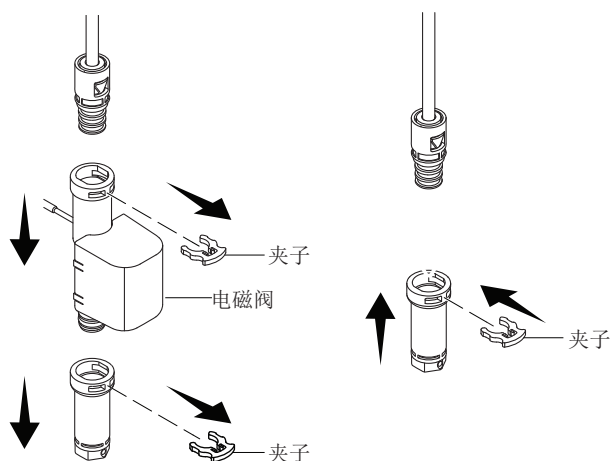
□如图所示，拆下夹子。

□断开电磁阀。

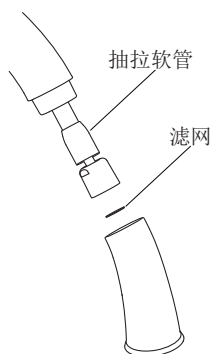
□用拆下的一个夹子将接头连接在一起。

□水龙头现在可以手动使用。

□按照相反的步骤重新连接电磁阀。



维护与保养



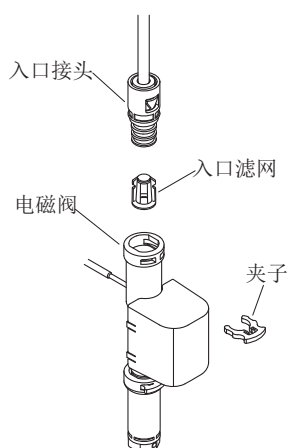
如何清洗喷头滤网

□将把手转到关闭位置。

□松开抽拉软管末端螺母的喷头。

□取下并清洁喷头内的滤网。

□重新装上滤网并重新连接喷头。



如何清洗电磁阀入口滤网

□将把手转到关闭位置。

□从出水管上断开电磁阀。

□从入口接头上拆下夹子。

□取下并清洁入口滤网。

□将入口滤网和入口接头重新安装到电磁阀上。

□将入口接头推到出水管上，直到听到咔嚓声。

故障检修

警告：产品损坏风险。本产品含有敏感的电子元件。在故障排除过程中，小心不要损坏销子和接头。

龙头故障检修表

故障现象	可能的原因	推荐解决方式
1. 产品不出水。	A. 供水阀关闭。 B. 龙头把手关闭。 C. 一个或多个软管缠绕打结。 D. 电池电量不足或耗尽。 E. 一个或多个滤网堵塞。	A. 确认供水阀打开。 B. 转动把手至打开位置。参考“使用说明”。 C. 确认软管没有缠绕打结。如盘绕，则保持不小于Ø76mm的内径。 D. 检查电磁阀上的红色LED指示灯是否闪烁。如出现闪烁，参考“如何安装电池盒”更换电池。 E. 参考“维护与保养”。
2. 低水流。	A. 供水阀部分关闭。 B. 龙头把手部分关闭。 C. 一个或多个软管缠绕打结。 D. 一个或多个滤网堵塞。 E. 隔膜破裂。	A. 确认供水阀完全打开。 B. 转动把手至完全打开位置。 C. 确认软管没有缠绕打结。如盘绕，则保持不小于Ø76mm的内径。 D. 参考“维护与保养”。 E. 更换电磁盒组件。
3. 喷头模式不良。	A. 喷嘴堵塞。	A. 打开龙头，用手指揉搓喷嘴以清除杂质。
4. 传感器不工作。	A. 电池电量不足或耗尽。 B. 系统处于电子旁通模式。 C. 龙头把手关闭。	A. 检查电磁阀上的红色LED指示灯是否闪烁。如出现闪烁，参考“如何安装电池盒”更换电池。 B. 按下旁通按钮。注意指示灯闪烁6次。 C. 转动把手至打开位置。参考“使用说明”。

有害物质统计表

部件名称	有害物质名称									
	铅 (Pb)	汞 (Hg)	镉 (Cd)	六价铬 (Cr(VI))	多溴联苯 (PBBs)	多溴二苯醚 (PBDEs)	邻苯二甲酸二正丁酯 (DBP)	邻苯二甲酸二异丁酯 (DIBP)	邻苯二甲酸丁苯酯 (BBP)	邻苯二甲酸二(2-乙基)己酯 (DEHP)
控制盒组件	○	○	○	○	○	○	○	○	○	○
电磁阀组件	○	○	○	○	○	○	○	○	○	○
感应探头组件	○	○	○	○	○	○	○	○	○	○
龙头组件	×	○	○	○	○	○	○	○	○	○

本表格依据SJ/T 11364的规定编制。

○：表示该有害物质在该部件所有均质材料中的含量均在GB 26572现行有效版本规定的限量要求以下。

×：表示有害物质至少在该部件的某一均质材料中的含量超出GB 26572现行有效版本规定的限量要求。

注：本表格提供的信息是基于供应商提供的数据及科勒公司的检测结果。

本产品应用环保设计理念，在当前技术水平下，所有有害物质的使用已经控制到了最低程度，科勒公司会继续努力通过改善现有技术来减少这些物质的使用。



本产品的“环保使用期限”为10年，科勒公司根据产品设计特性指定该期限。只有在本产品使用说明书所述的正常情况下使用本产品时，“环保使用期限”才有效。

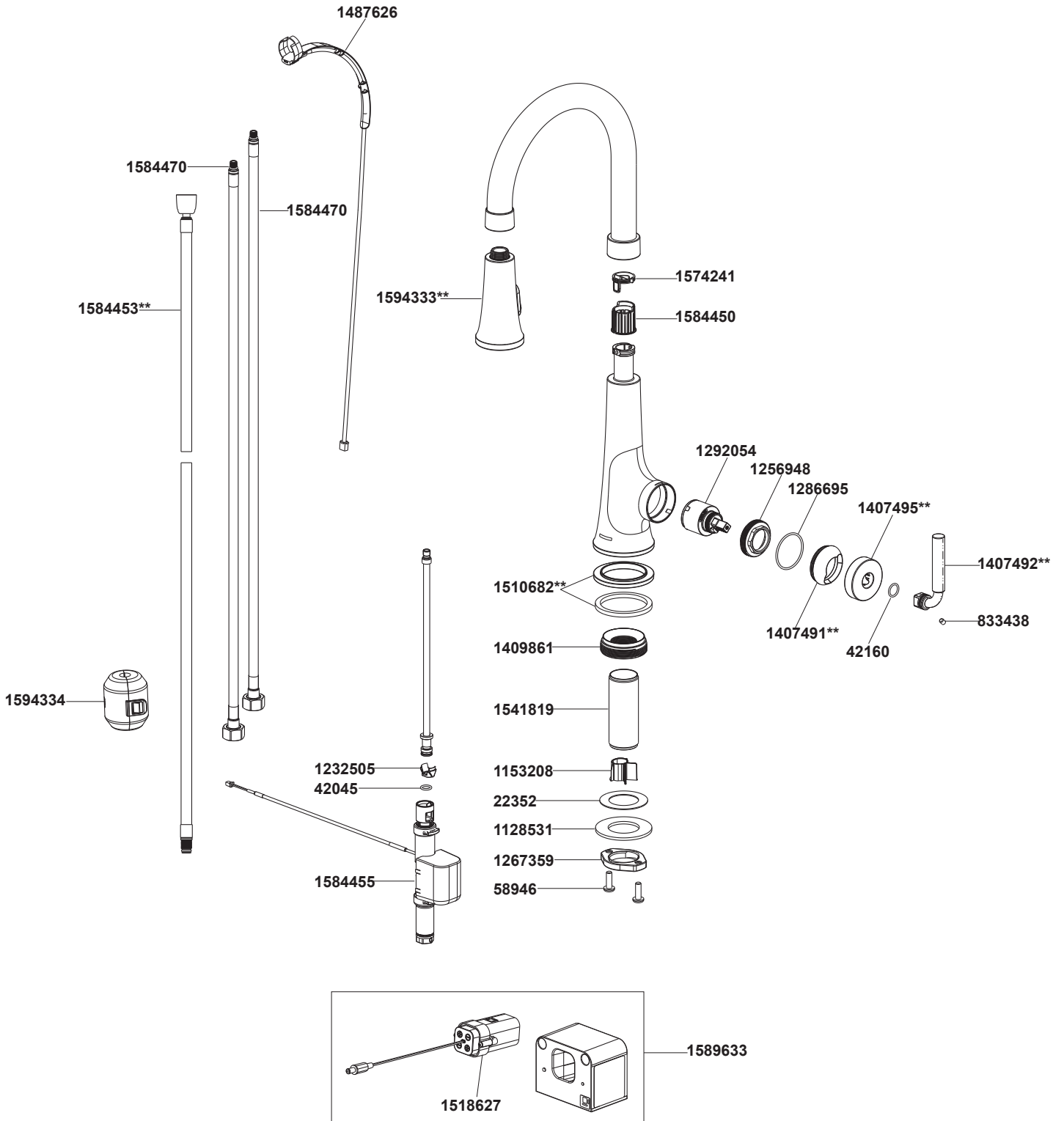
清洗说明

适用于所有加工处理过的表面：以中性肥皂水清洗镀层表面，再以干净软布彻底擦干整个表面，许多清洁剂，比如氨水、去污粉及洁厕灵等，会对电镀表面造成伤害，切忌使用。

有磨损性的清洁用具或清洁剂也不可用于科勒牌的水龙头及其配件上。

龙头本体背面标有“LEAD FREE”字样，即产品符合美国AB1953法令的要求。

23766T-4 感应下抽拉厨房龙头



**订购时请说明颜色编号

23766T-4 Touchless Kitchen Faucet

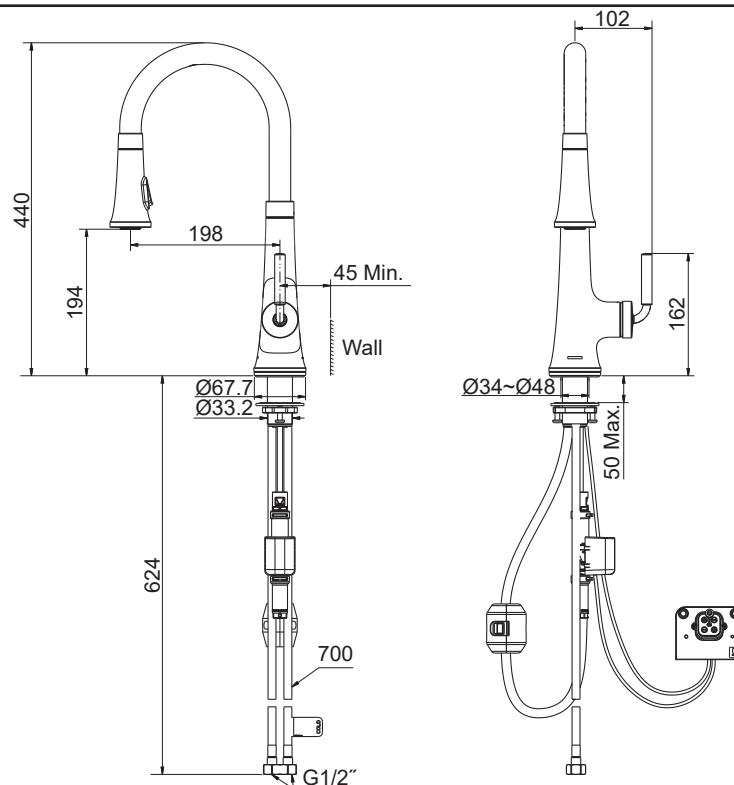
BEFORE YOU BEGIN

All information is based on the latest product information available at the time of publication. Kohler Co. reserves the right to make changes in product characteristics, packaging, or availability at any time without notice. Please leave these instructions for the consumer. They contain important information.

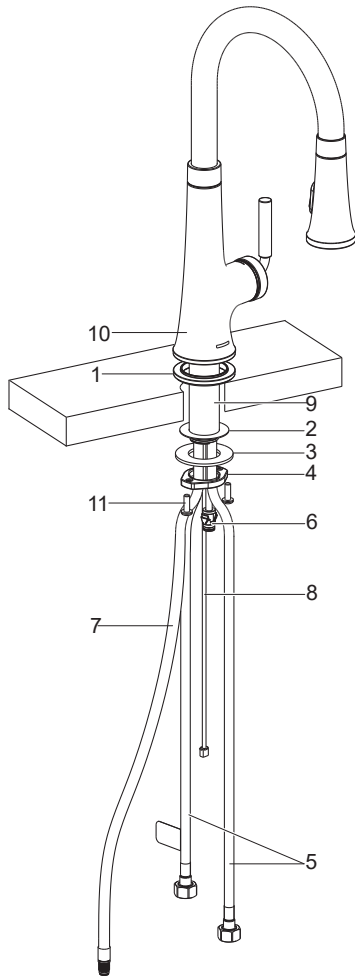
NOTE:

1. Flush the water supply pipes thoroughly to remove debris.
2. For new installations, install the faucet to sink before installing.
3. The highest working pressure for sprayhead is 0.5MPa(5bar). If it exceeds 0.5MPa(5bar), a pressure reducer is needed. The highest water and environment temperature is 60°C. Please keep sprayhead away from heater, or it may become damaged and cause injury to the user.
4. **Risk of injury or property damage.** Please read all instructions thoroughly before beginning installation.
5. **Risk of property damage.** The faucet spout contains a magnet. Do not allow items susceptible to electromagnetic damage to come into close proximity to the spout.
6. Follow all plumbing, electrical, and building codes.
7. **Risk of fresh water contamination.** This faucet contains back-siphonage protection. Do not remove any internal components.
8. **Risk of product damage.** This product contains sensitive electronic components. Do not store open containers of chemical or cleaning products near this product.
9. When locating the control box make sure that the pull-down hose weight will not interfere with the control box or wire connections.
10. Allow adequate clearance for servicing.
 - 1) Before installing the faucet make sure the cabinet area under the sink can accommodate all of the required components.
 - 2) Consider loose fitting the connections covered in the following steps to make sure the control box location allows enough clearance for the operational use of the pull-down hose and weight.
11. The water efficiency label applied to the faucet indicates that the water efficiency grade and other performance of the product meet the requirements of GB 25501-2019 "Minimum Allowable Values of Water Efficiency and Water Efficiency Grades for Faucets" which is a marking of product conformity.

ROUGH-IN DIMENSIONS



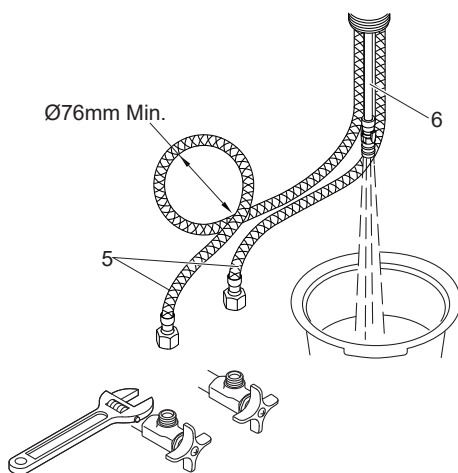
INSTALLATION



How to Install the Faucet

NOTE: To easy installation, when need to slide the base(1), washer(2, 3) and threaded ring(4) over the supply hoses(5), pull-down hose(7), wire(8) and outlet tube(6), please following below sequence: supply hoses(5), pull-down hose(7), wire(8) and outlet tube(6).

- Slide the base(1, foam side down) over the supply hoses(5), pull-down hose(7), wire(8), outlet tube(6) and shank(9) until it contacts the faucet bottom.
- Insert the faucet assembly into the mounting hole from upside of the sink with the handle on the right.
- Pre-install the screws(11) into the screw holes of the threaded ring(4).
- From underside of the sink, slide the washer(2), metal washer(3) and threaded ring(4) over the supply hoses(5), pull-down hose(7), wire(8), outlet tube(6) and shank(9). Thread the threaded ring onto the shank until the washers contact the underside of the sink. Ensure the faucet is positioned correctly.
- Use a Phillips screwdriver to securely tighten the screws(11).

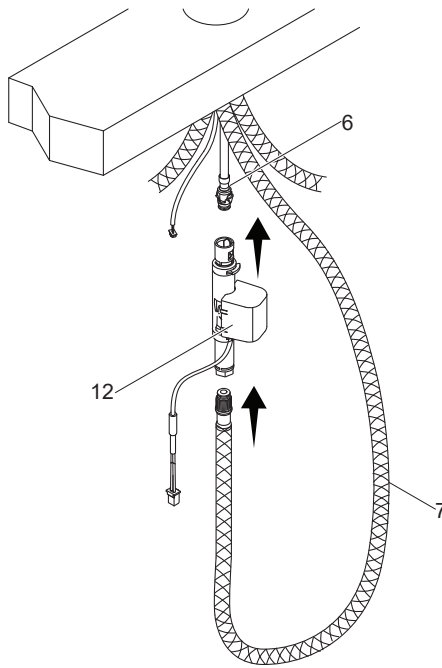


How to Connect the Hoses

Connect and tighten the supply hoses(5) to water supplies. The hose with "COLD" label is connected to cold water. Another hose is connected to hot water.

Open hot and cold water supplies. Turn on faucet. Flush hot and cold water for about one minute to remove any debris. Shut off faucet and water supplies.

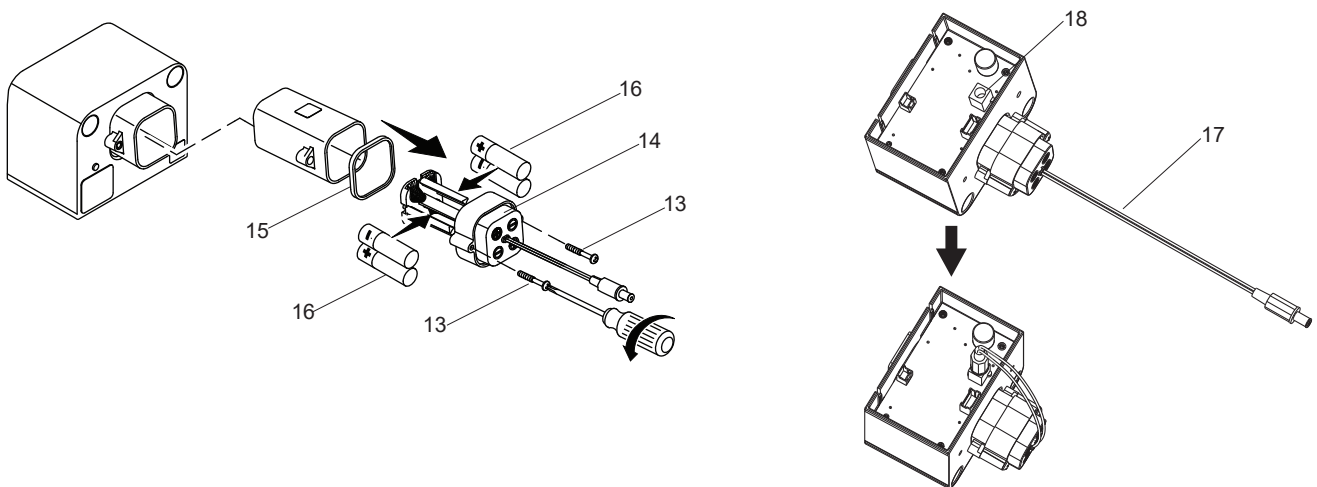
NOTE: Supply hoses must not be taut, kinked, or twisted during installation. If the supply hoses must be coiled, maintain an inside diameter of minimum Ø76mm.



How to Install the Valve Box

IMPORTANT! Risk of restricted water flow and product damage. The pull-down hose(7) must not be taut, kinked or twisted when installed.

- Handtighten the pull-down hose into the valve box(12).
- Push the inlet fitting on the valve box onto the outlet tube(6) until a click is heard.



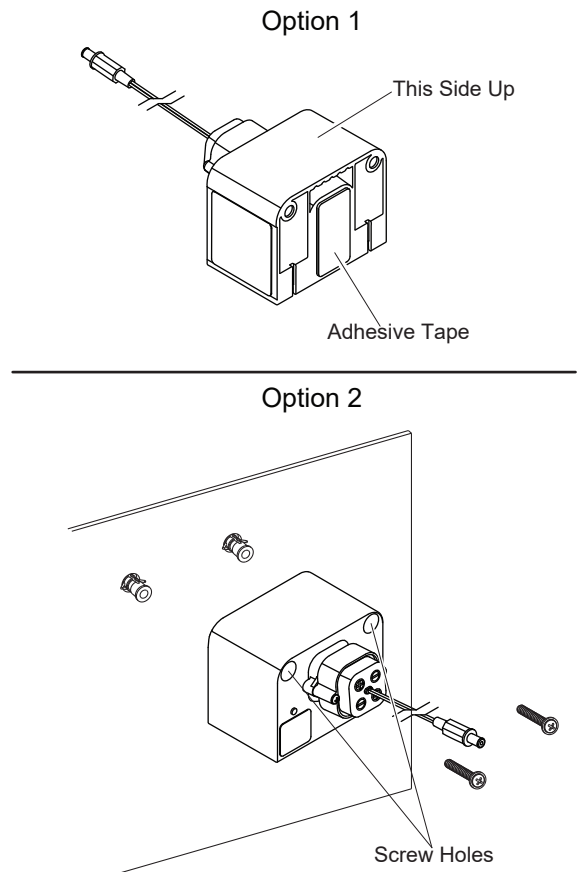
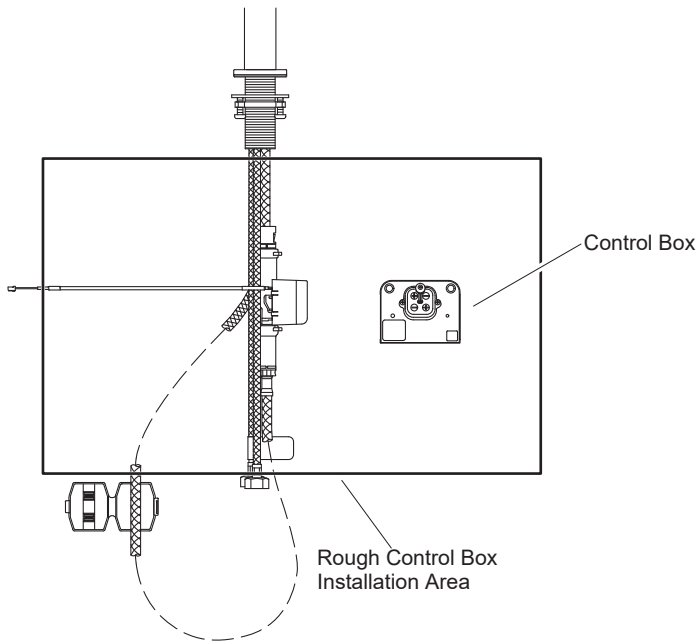
How to Install the Batteries Box

CAUTION: Do not use lithium ion batteries with this product.

IMPORTANT! Do not use rechargeable batteries.

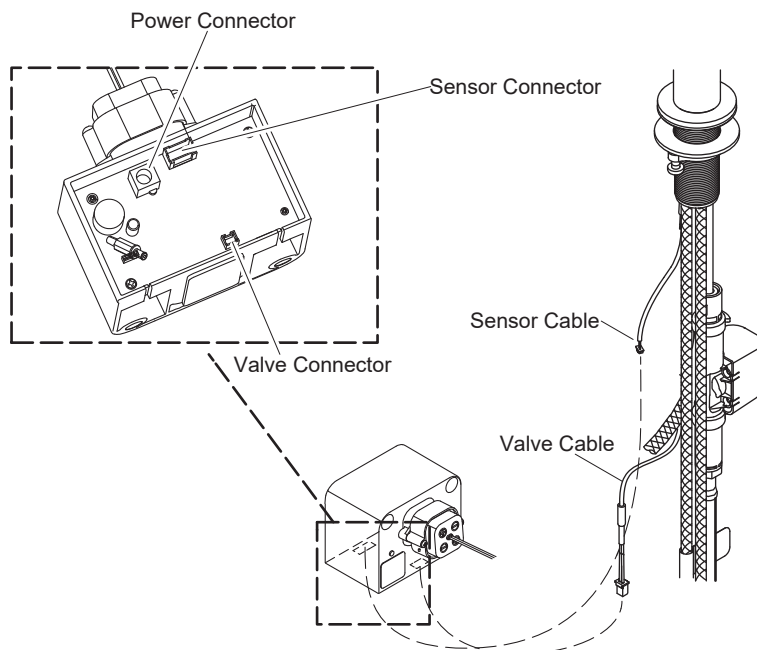
IMPORTANT! Do not mix old and new batteries.

- Loosen the two screws(13) to remove the battery box cover(14) and gasket(15).
- Insert four AA batteries(16) in the correct orientation in the battery box.
- Reinstall the gasket and battery box cover, tighten with the screws.
- Place the battery box into the slot of the control box.
- Connect the battery cable(17) to the power connector(18) on the valve box.
- For battery replacement, ensure the sensor on the valve box has not been activated.



How to Install the Control Box

- Attach the control box to the wall on the back of the cabinet.
- Before mounting the control box, verify the location allows for the sensor cable and valve cable to be connected.
- Mark the control box location on the wall and determine the best mounting option:
- Option 1: Use the adhesive tape to attach the control box to the wall.
- Option 2: Use the two provided screws to secure the control box to the wall.
- Verify that the control box is level and that the battery box stays securely mounted in the control box.



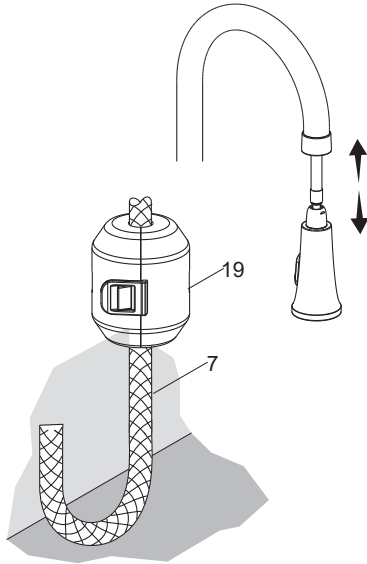
How to Connect the Control Box

- Connect the sensor cable, valve cable to the control box.
- Verify that the cables are not tangled with the pull-down hose and that the pull-down hose moves smoothly.

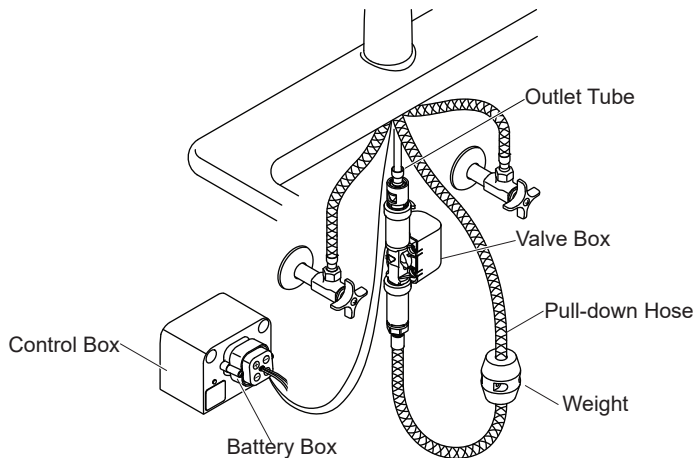
How to Install the Hose Weight

NOTE: Make sure the pull-down hose weight(19) will not interfere with the valve box or wire connections.

- Install the weight onto the pull-down hose(7).
- Adjust the weight to the appropriate position.
- Extend and retract the pull-down hose to check for smooth operation.



INSTALLATION CHECKOUT



- Ensure that all connections are tight.
- Ensure that the lever handle is in the off position.
- Turn on the main water supplies and drain.
- Check all connections for leaks. Repair as needed.

OPERATION INSTRUCTION

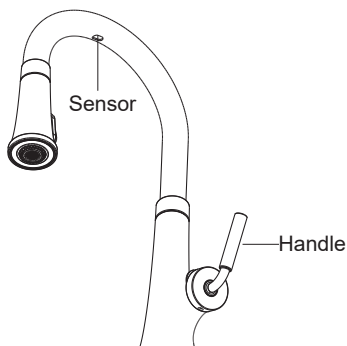
How to Operate the Faucet

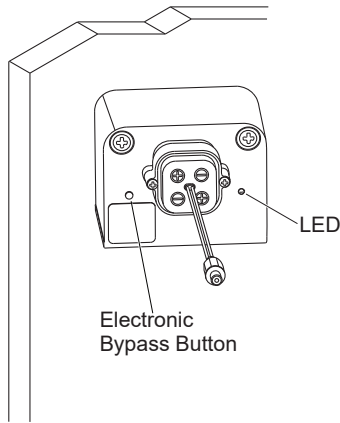
NOTE: For extended periods of nonuse, the handle should be returned to the closed position.

- Rotate the handle outward to the open position to start water flow.
- Adjust the handle to the desired water temperature.
- Wave your hand under the sensor to turn OFF the water.
- Wave your hand under the sensor again to restart the water flow.

Features

- Automatic shut-off:** After 4 minutes of inactivity, the water will automatically shut OFF.
- Low battery LED:** The red LED will flash every 6 seconds to indicate low power. Faucet will remain operational. When the red LED flashes continuously, power is unavailable and faucet is not operational.





How to Operate the Faucet Manually

Electronic Bypass

To electronically bypass the valve box, push the bypass button. The red light should flash 3 times. The faucet can now be used manually and the sensor will be disabled.

To exit the electronic bypass, push the button again, the LED light will flash 6 times. The sensor is now active, verify that the handle is open to use touchless mode.

Manual Bypass

The valve box can be bypassed if the valve box fails to operate properly and cannot be electronically bypassed.

Turn OFF the water and open the handle to relieve the water pressure.

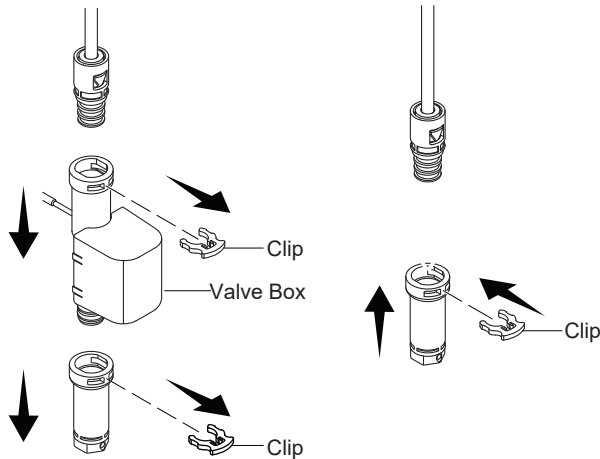
Remove the clips as shown.

Disconnect the valve box.

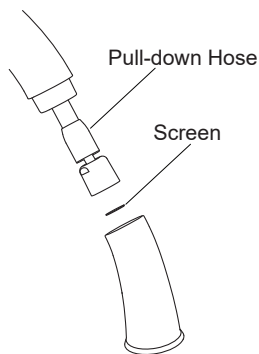
Connect the fittings together with one of the clips that were removed.

The faucet can now be used manually.

Reconnect the valve box by following these steps in reverse.



CARE AND MAINTENANCE



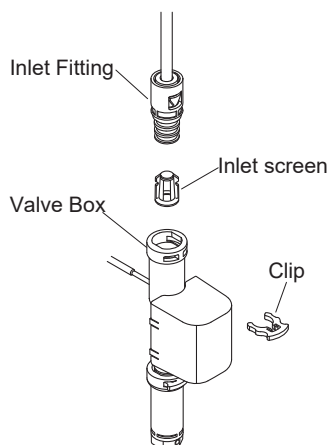
How to Clean the Sprayhead Screen

Turn the handle to the closed position.

Disconnect the sprayhead from the nut at the end of the pull-down hose.

Remove and clean the screen inside the sprayhead.

Reinsert the screen and reconnect the sprayhead.



How to Clean the Valve Box Inlet Screen

Turn the handle to the closed position.

Disconnect the valve box from the outlet tube.

Remove the clip from the inlet fitting.

Remove and clean the inlet screen.

Reinstall the inlet screen and inlet fitting to the valve box.

Push the inlet fitting onto the outlet tube until a click is heard.

TROUBLESHOOTING

CAUTION: Risk of product damage. This product contains sensitive electronic components. Use care not to damage pins and connectors during troubleshooting.

Faucet Troubleshooting Table

Symptoms	Probable Causes	Recommended Actions
1. No water flow.	A. The supply stops are closed. B. Handle is in the closed position. C. One or more hoses are kinked. D. Battery power is low or exhausted. E. One or more screens are clogged.	A. Confirm the supply stops are open. B. Rotate the handle to the open position. Refer to the "Operation Instruction" section. C. Confirm the hoses are not kinked. If coiled, maintain an inside diameter of minimum Ø76mm. D. Check for a red flashing LED on the valve box. If it flashes red, refer to "How to Install the Batteries Box" section for batteries replacement. E. Refer to the "Care and maintenance" section.
2. Low water flow.	A. The supply stops are partially closed. B. Handle is partially closed. C. One or more hoses are kinked. D. One or more screens are clogged. E. Cracked diaphragm.	A. Confirm the supply stops are fully open. B. Rotate the handle to the full open position. C. Confirm the hoses are not kinked. If coiled, maintain an inside diameter of minimum Ø76mm. D. Refer to the "Care and maintenance" section. E. Replace the valve box assembly.
3. Poor spray pattern.	A. The spray nozzles are clogged.	A. Rub your finger over the nozzles with water running to dislodge debris.
4. Sensor not working.	A. Battery power is low or exhausted. B. System in electronic bypass mode. C. Handle is in the closed position.	A. Check for a red flashing LED on the valve box. If it flashes red, refer to "How to Install the Batteries Box" section for batteries replacement. B. Press the bypass button. Look for the light to flash 6 times. C. Rotate the handle to the open position. Refer to the "Operation Instruction" section.

Statistics of Contents of Toxic or Hazardous Substances or Elements

Part name	Toxic or Hazardous Substance or Elements									
	Lead (Pb)	Mercury (Hg)	Cadmium (Cd)	Hexavalent Chromium (Cr(VI))	Polybrominated Biphenyls (PBBs)	Polybrominated Diphenyl Ethers (PBDEs)	Dibutyl Phthalate (DBP)	Diisobutyl Phthalate (DIBP)	Butyl Benzyl Phthalate (BBP)	Bis(2-Ethylhexyl) Phthalate (DEHP)
Control Box Assy.	○	○	○	○	○	○	○	○	○	○
Valve Box Assy.	○	○	○	○	○	○	○	○	○	○
Sensor Assy.	○	○	○	○	○	○	○	○	○	○
Faucet Assy.	×	○	○	○	○	○	○	○	○	○

This form is prepared in accordance with the rules in SJ/T 11364.

○: Indicates that the substance in the material composition is below the high limits of the current requirements in GB 26572.

×: Indicates that at least one of the homogeneous substance in the material composition is above the high limits of the current requirements in GB 26572.

Note: the information provided is based on the supplier data and Kohler inspection results. The product is designed not to hurt the environment. Under current technology, all hazardous materials have been used in the smallest amounts possible. Kohler will strive to reduce the use of these hazardous materials used in this product.



The product "service life for environment protection" is 10 years; Kohler Company will specify product service life based on product characteristics. The product "service life for environment protection" is only effective when the product is used as described in the product specification.

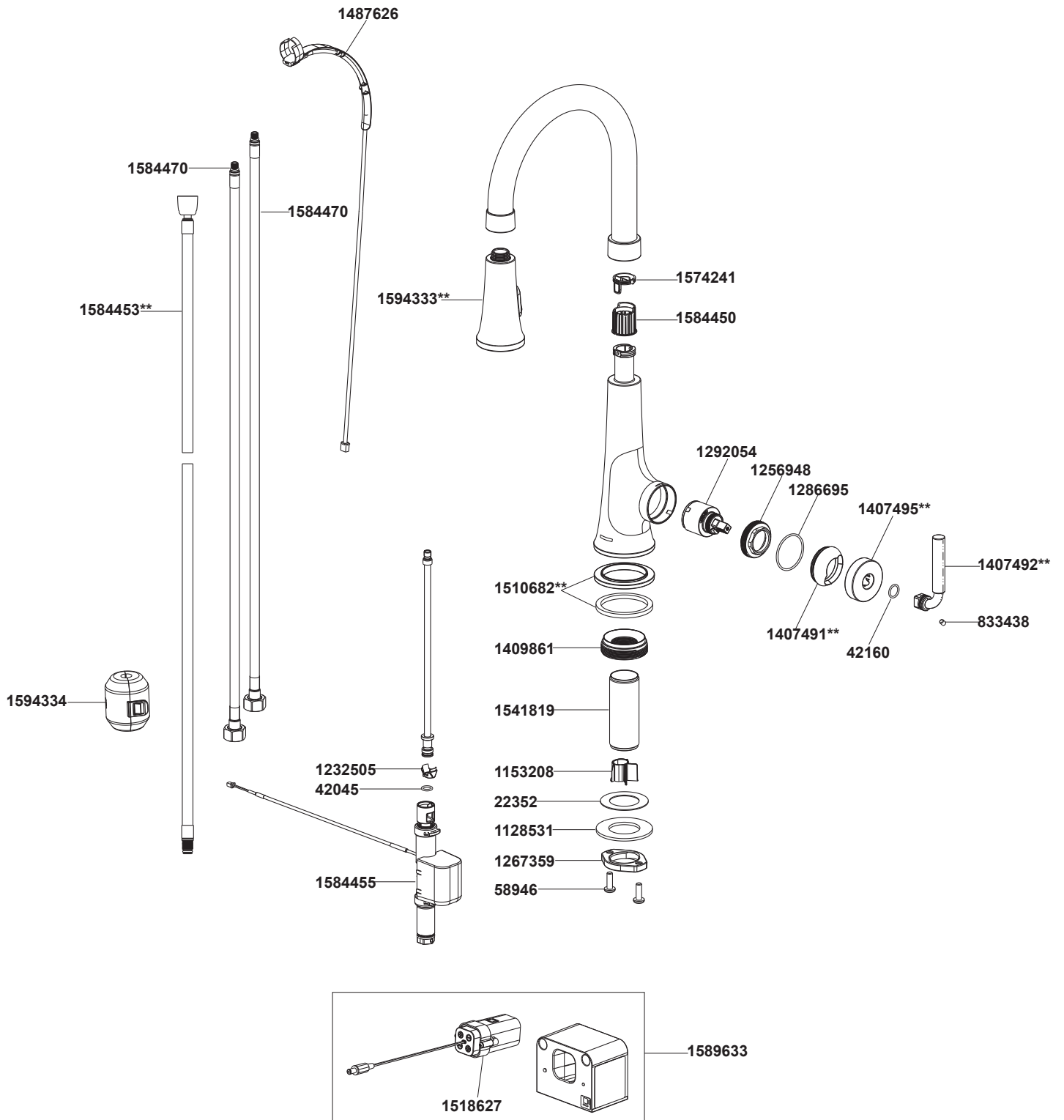
CLEANING INSTRUCTIONS

All Finishes: Clean the finish with mild soap and warm water. Wipe entire surface completely dry with clean soft cloth. Many cleaners may contain chemicals, such as ammonia, chlorine, toilet cleaner etc. which could adversely affect the finish and are not recommended for cleaning.

Do not use abrasive cleaners or solvents on Kohler faucets and fittings.

"LEAD FREE" is marked on the back of the faucet signifying its compliance with the United States AB1953

23766T-4 Touchless Kitchen Faucet



**Color code must be specified when ordering.