

Installation Instructions

In-Wall Tank

Record your model number: _____

KOHLER[®]

Thank You for Choosing KOHLER

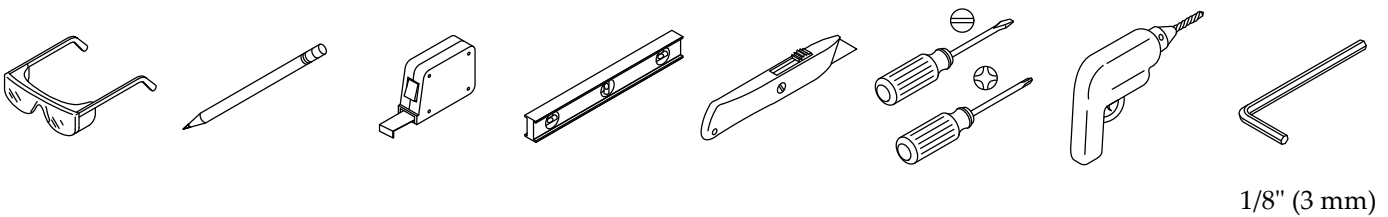
Need help? Contact our Customer Care Center.

- Email: indiacustomercare@kohler.com
- Call: 1800-103-2244
- **Care and cleaning:** Please refer to the Care and Cleaning on the product detail page.

Warranty

This product is covered under the **KOHLER® India Sanitaryware and Bathing Products Limited Warranty**, found at kohler.co.in/warranty. For a hardcopy of warranty terms, contact the Customer Care Center.

Tools and Materials



Assorted Drill Bits

Plus:

- Appropriate Discharge Pipe
- Big Protective Cap for Discharge Pipe Hole

Before You Begin

NOTE: Verify that the in-wall tank will deliver the correct amount of water needed for the toilet bowl selected.

Read all instructions before installing or using this product.

During installation, verify that the inlet tube connections and gaskets remain fully engaged to ensure a watertight seal.

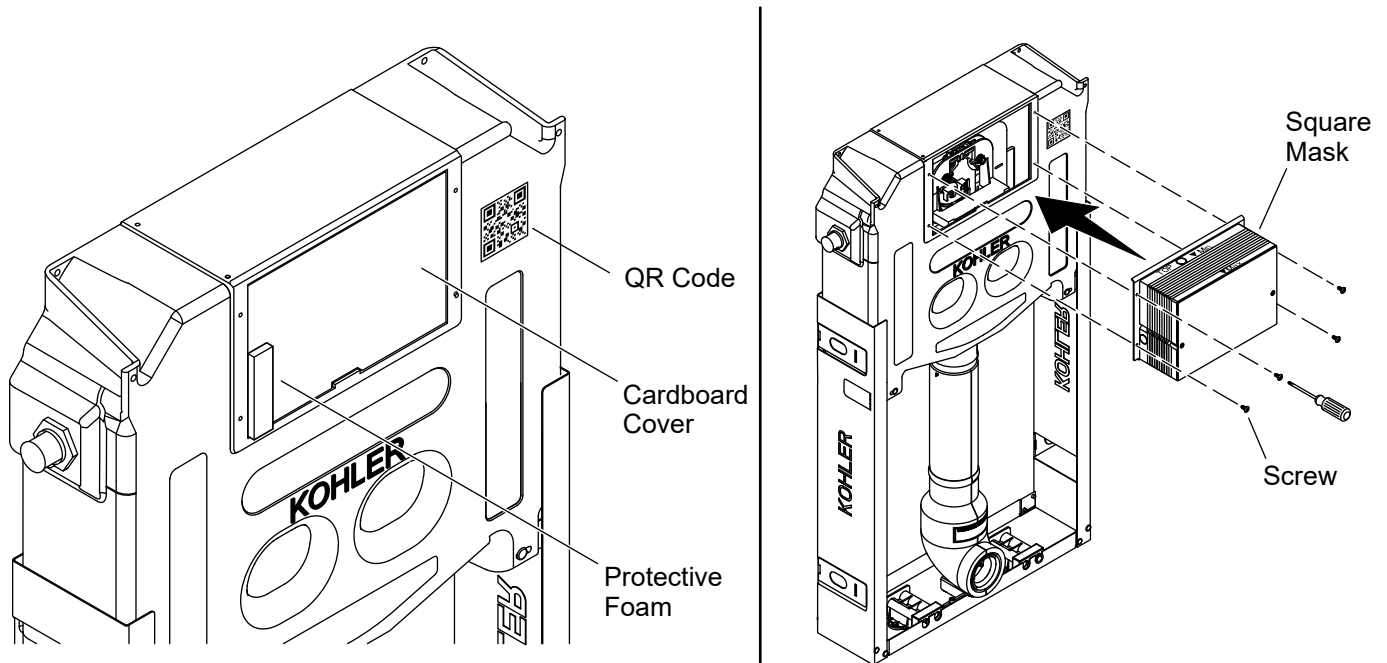
Follow all local plumbing and building codes.

Two people should perform this installation.

Scan the QR code on the tank to refer to the installation instructions video.

SAVE THESE INSTRUCTIONS

1. Install the Square Mask

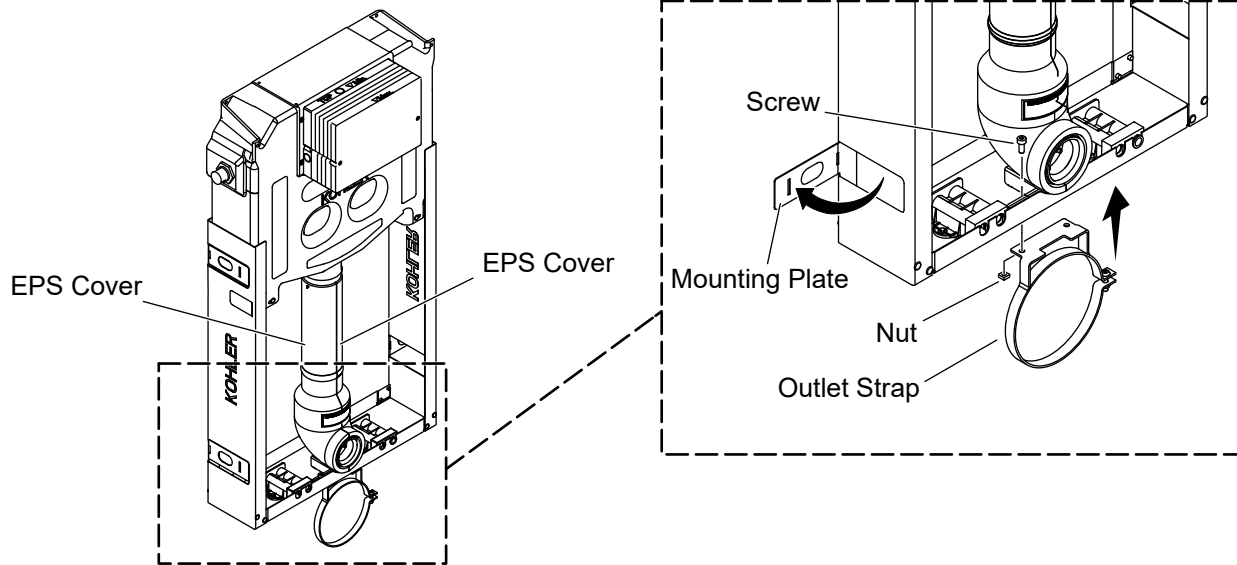


NOTE: Scan the QR code on the tank to refer to the installation instructions video.

NOTE: Retrieve and retain the parts from inside the square mask.

- Remove the protective foam and the cardboard cover from the tank.
- Carefully align the square mask with the square mask mounting holes on the tank.
- Verify that the top of the square mask is facing upwards.
- Secure the square mask to the tank with screws.

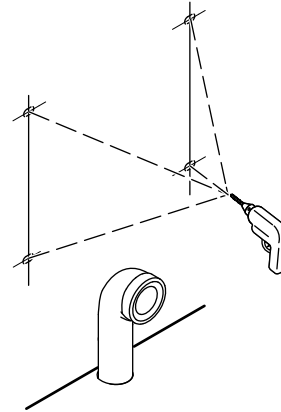
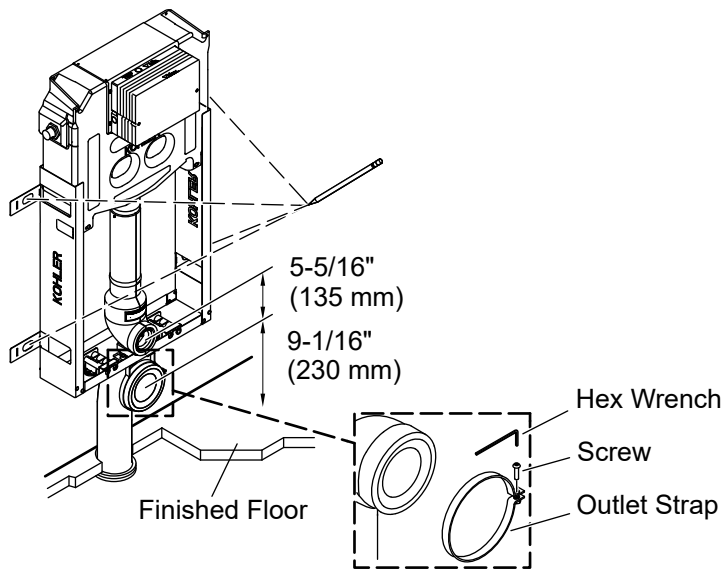
2. Install the Outlet Strap



NOTE: Do not remove the EPS covers during installation.

- Position the outlet strap on the base of the frame.
- Use a 1/8" hex wrench to secure the outlet strap with screws and nuts.
- Turn and open the four mounting plates of the frame.

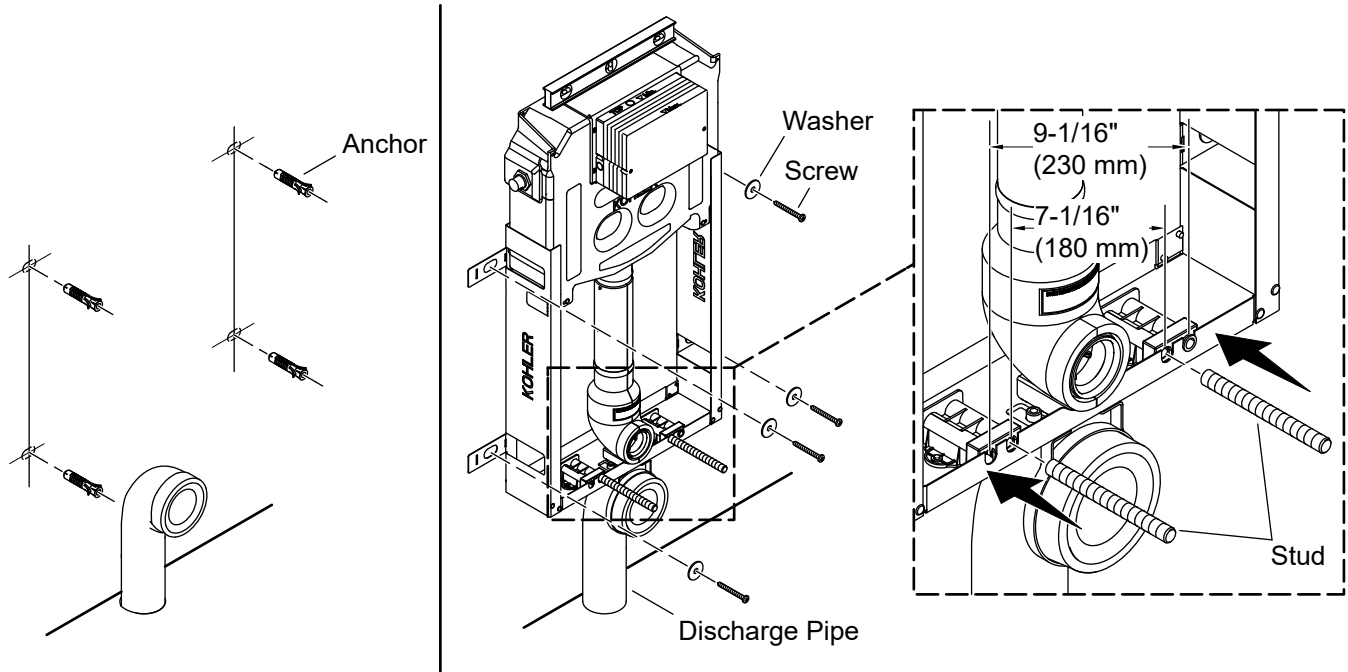
3. Prepare the Site



IMPORTANT! If the frame has not been adjusted correctly, the bowl rim height may not be compliant with applicable codes. If the bowl height is not correct, the finished wall will need to be removed to make the required adjustments.

- Verify that the center of the discharge pipe (not supplied) is 9-1/16" (230 mm) above the finished floor.
- Verify that the center of the inlet hole is 5-5/16" (135 mm) above the center of the outlet hole.
- Use a 1/8" (3 mm) hex wrench to loosen the outlet strap.
- Slide the outlet strap over the discharge pipe and position the frame on the wall.
- Use a pencil to mark the four frame mounting hole locations on the wall.
- Remove the frame from the place.
- Choose drill bits of the correct type and size for the wall.
- Drill four holes at the marked locations.

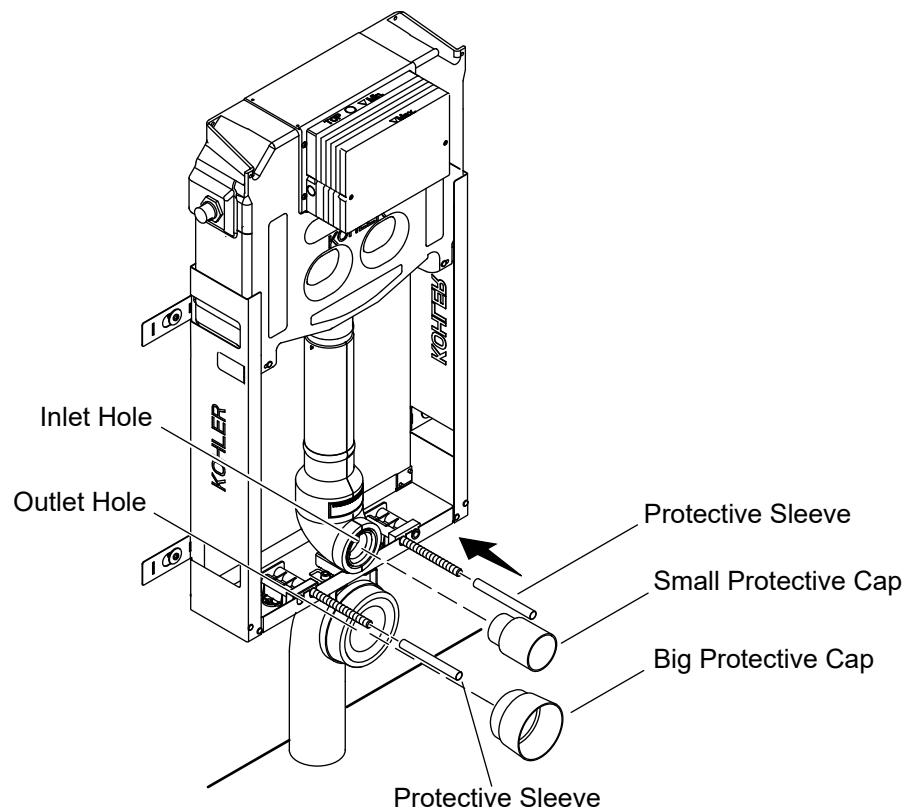
4. Install the Frame



NOTE: The frame provides wall-hung bowl mounting holes that are 7-1/16" (180 mm) or 9-1/16" (230 mm) apart. Choose suitable mounting holes according to the wall-hung bowl that will be installed.

- Insert the provided anchors into the frame mounting holes.
- Slide the outlet strap over the discharge pipe and position the frame over the frame mounting holes.
- Use a 1/8" (3 mm) hex wrench to tighten the outlet strap.
- Temporarily secure the frame with provided screws and washers. Do not fully tighten at this time.
- Verify that the frame is level. Adjust the frame if needed.
- Tighten the screws and secure the frame in place.
- Install the studs for wall-hung bowl installation.

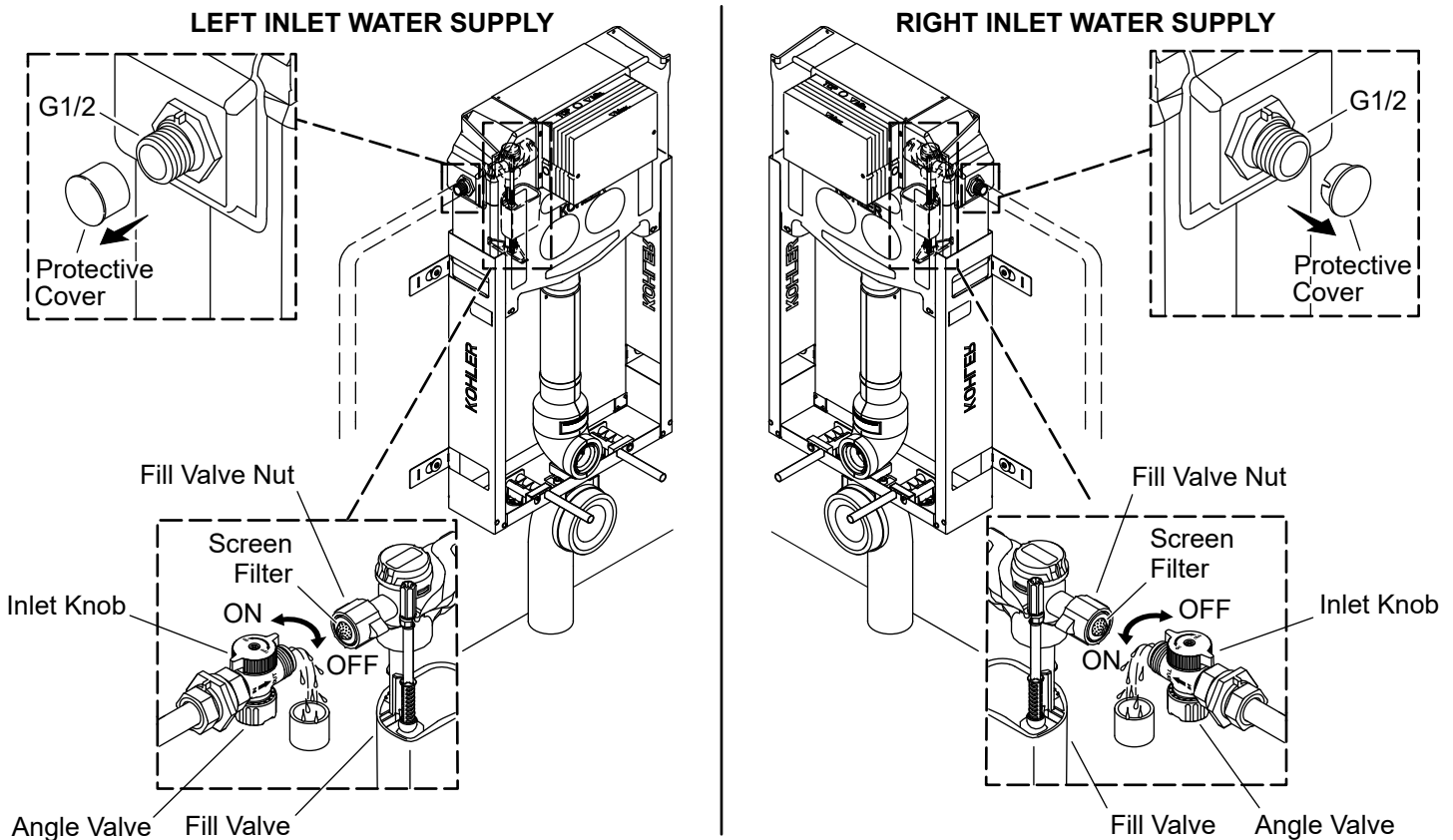
5. Install the Protective Caps



NOTE: The remaining parts are required for the bowl installation. Retain these parts.

- Insert the small protective cap (supplied) into the inlet hole.
- Insert the big protective cap (not supplied) into the outlet hole.
- Install the protective sleeves over the studs.

6. Install the Water Supply



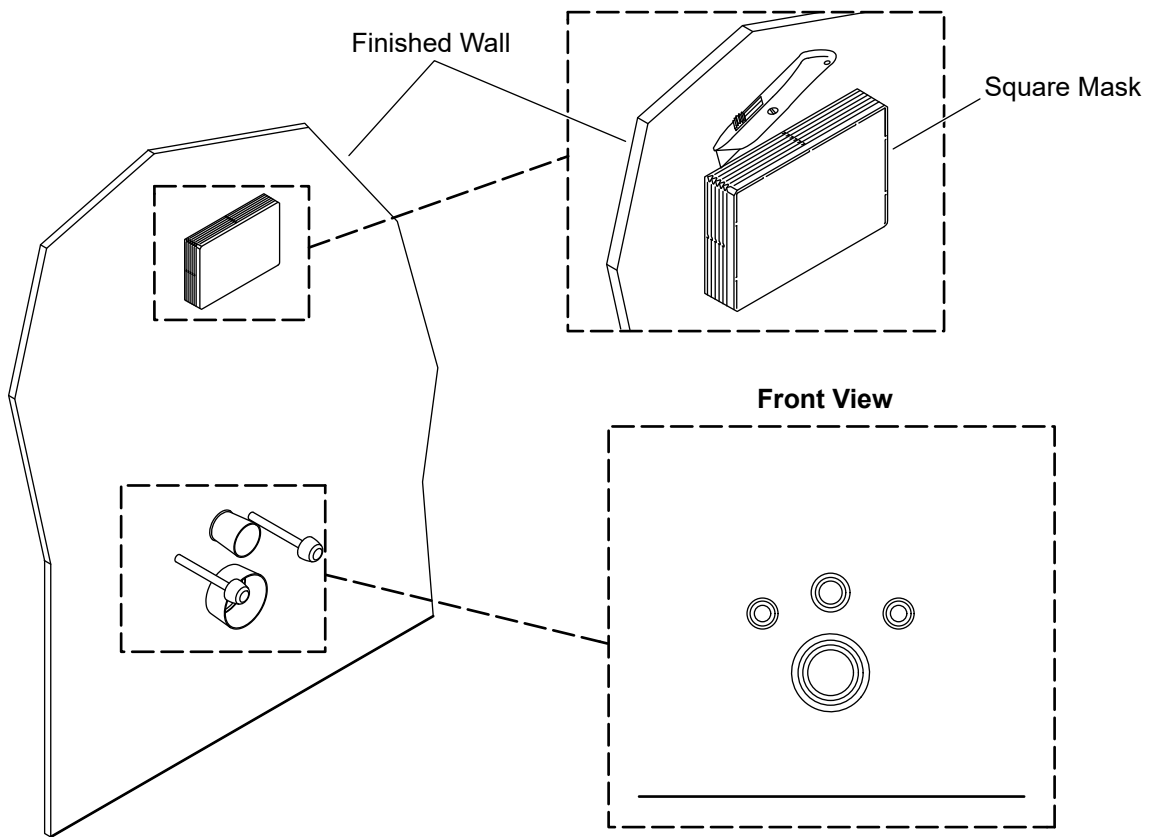
⚠ CAUTION: Risk of product damage. Do not cross-thread the hose connection to the inlet.

NOTE: The tank valve inlet uses a G1/2 connector.

NOTE: Connect the water supply to the left inlet or the right inlet of the tank. If connecting the water supply to the right inlet, remove the connector, angle valve, and fill valve from the left inlet, and install to the right inlet.

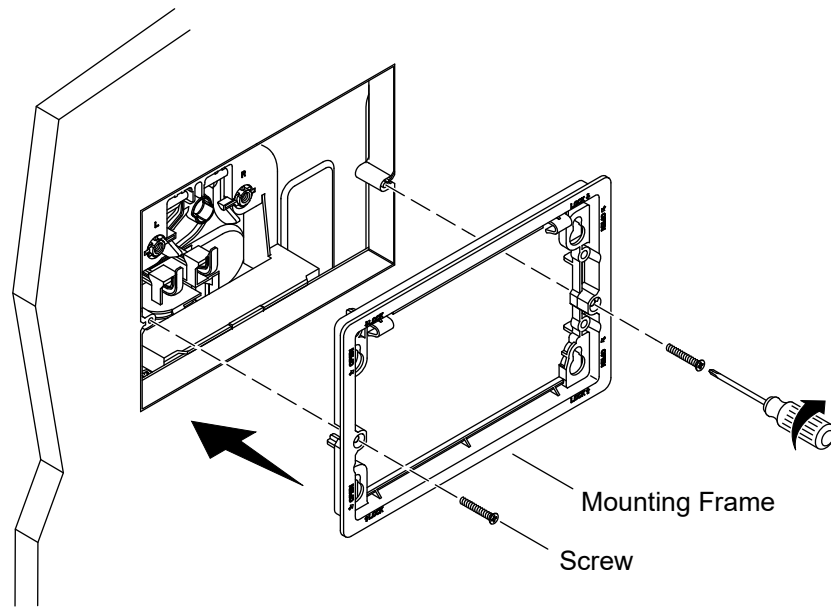
- Remove the protective cover.
- Install and connect the water supply line.
- Turn ON the water supply at the supply stop.
- Turn the fill valve nut counterclockwise to disconnect the fill valve from the angle valve. Retain the screen filter from the fill valve nut.
- Turn the inlet knob to ON position to turn ON the water supply.
- Let the water run for a minute to remove any debris.
- Verify that the water is clean, no residual sandstone or dirt inside the water supply line.
- Turn OFF the water supply at the supply stop. Turn ON the water supply after the faceplate installation.
- Turn the fill valve nut clockwise to connect the fill valve with the angle valve.

7. Install the Finished Wall



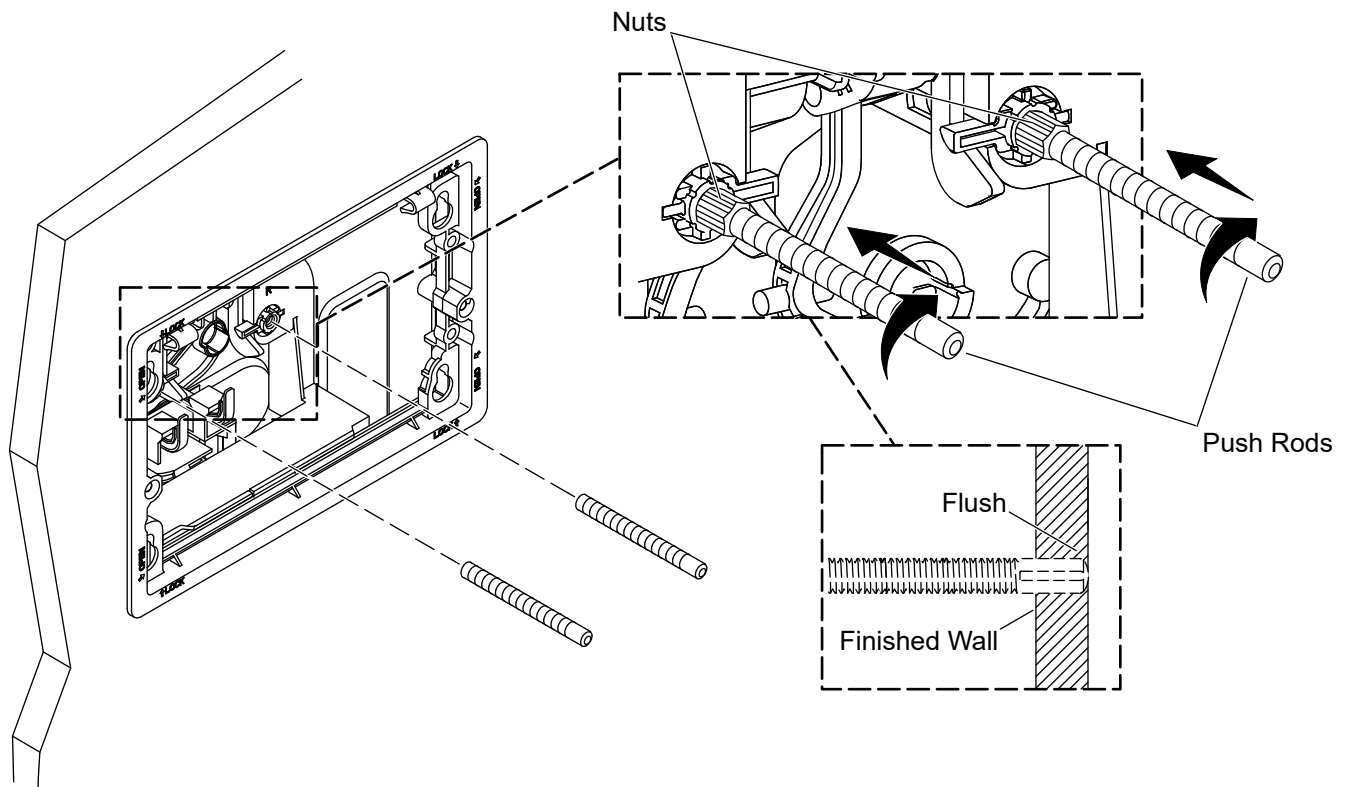
- Install the finished wall.
- Use a sharp utility knife to carefully trim the square mask even with the finished wall.
- Discard the trimmed off portion of the square mask.
- Install the toilet using the Installation Instructions packed with the toilet.

8. Install the Mounting Frame



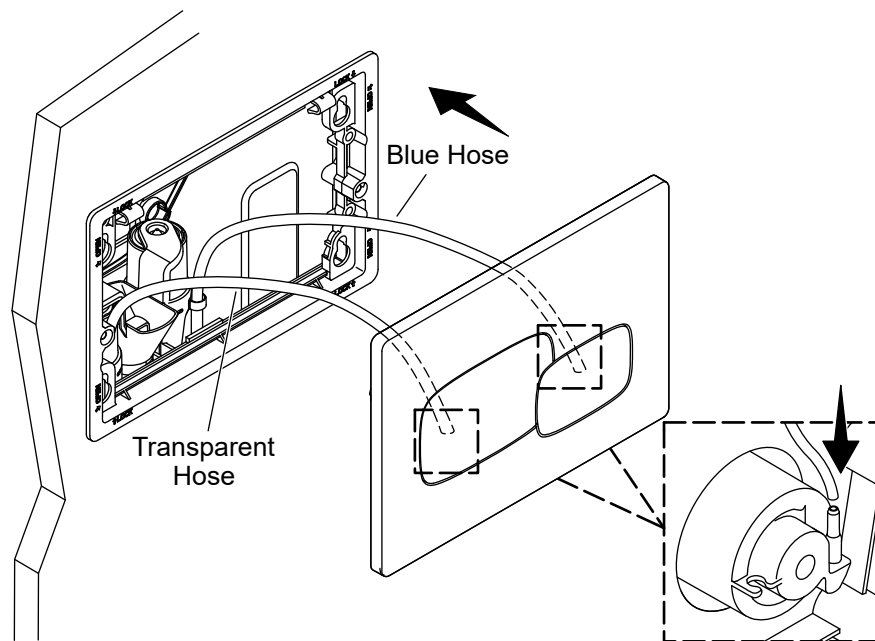
- Align the mounting frame over the tank opening.
- Tighten the screws to secure the mounting frame in position.

9. Install the Push Rods (For Mechanical Operation)



- Thread the push rods into the actuator assembly so the push rods are flush with the finished wall.
- If needed, trim the threaded ends of the push rods.
- Secure the push rods in place by tightening the push rod nuts.
- Position the faceplate over the push rods and press into place.

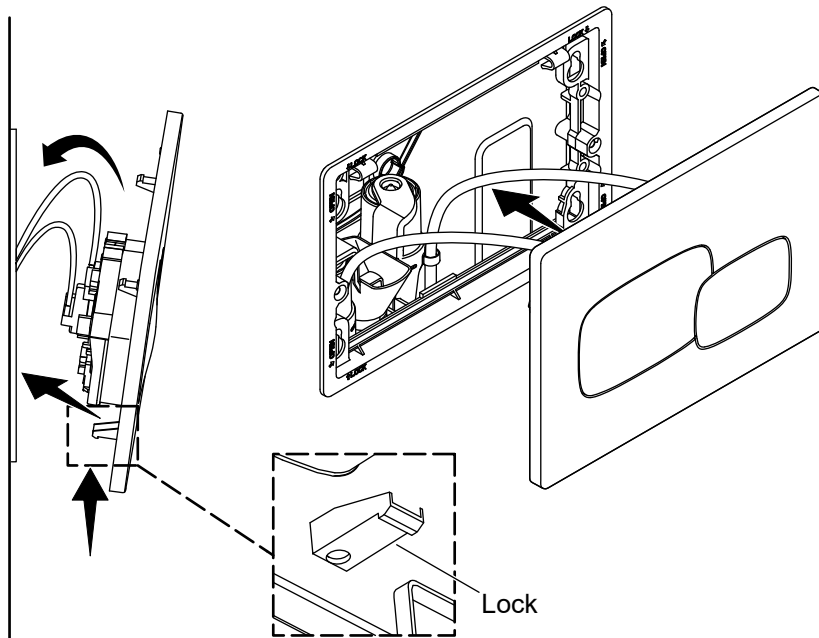
10. Connect the Hoses (For Pneumatic Operation)



IMPORTANT! Verify that the hoses do not get pinched by the faceplate.

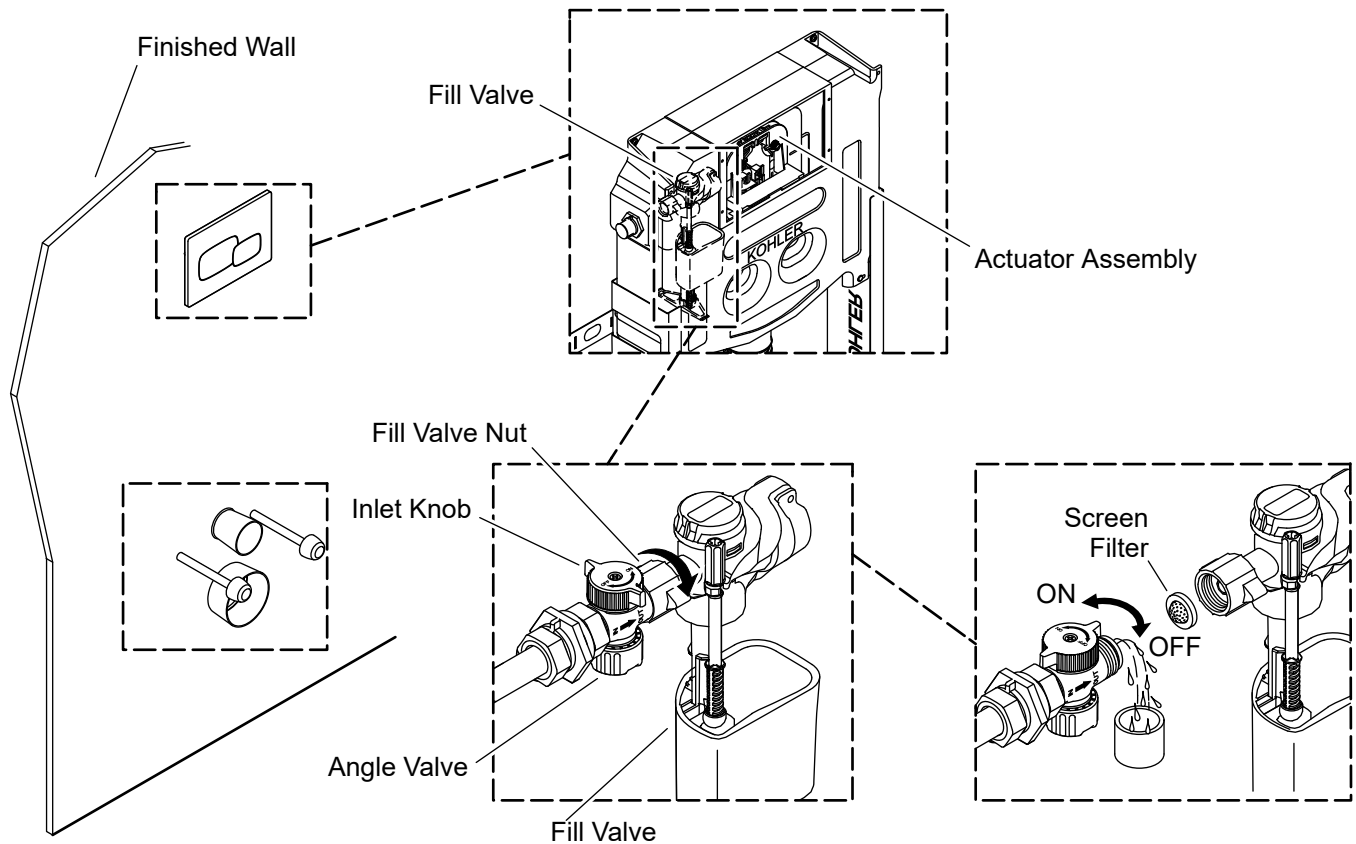
- Connect the full-flush hose (transparent) to the port on the back of the full-flush button.
- Connect the half-flush hose (blue) to the port on the back of the half-flush button.

11. Install the Faceplate



- Insert the lock at the bottom of the faceplate into the slot on the mounting frame.
- Press the top side of the faceplate into position.
- Verify that the faceplate clicks into position.
- Press the left side of the faceplate to verify that the full flush is operating correctly.
- Press the right side of the faceplate to verify that the eco-flush is working correctly.
- Proceed to the bowl Installation Instructions to complete the installation.

Clean the Fill Valve Screen Filter



NOTE: Clean the screen filter every 6 months or when there is a reduction in the water flow from the flush.

NOTE: For pneumatic flush tank, do not remove the actuator assembly from the tank.

- Turn OFF the water at the supply stop.
- Flush the toilet to relieve the water pressure.
- Remove the faceplate.
- Remove the actuator assembly from the tank.
- Turn the inlet knob to OFF position to turn OFF the water supply.
- Disconnect the fill valve nut from the angle valve.
- Remove the fill valve from the tank.
- Using hand or long-nosed pliers, carefully remove the screen filter from the fill valve nut.
- Clean the screen filter with a soft-bristled brush.
- Reinstall the screen filter in the fill valve nut.
- Turn ON the water at the supply stop.
- Turn the inlet knob to ON position to turn ON the water supply.
- Let the water run through the supply line for a minute to remove any debris. Use a small cup to collect and dispose of the water and the debris.
- Turn the inlet knob to OFF position to turn OFF the water supply.

- Reinstall the fill valve and secure with fill valve nut.
- Turn the inlet knob to ON position to turn ON the water supply.
- Reinstall the actuator assembly.
- Install the faceplate.

Troubleshooting

This troubleshooting guide is for general aid only. For service and installation issues or concerns, call 1800-103-2244.

Symptoms	Probable Cause	Recommended Action
1. Poor flush.	<p>A. The water level is too low.</p> <p>B. Improper drain line venting.</p> <p>C. Poorly adjusted rod.</p>	<p>A. Raise the tank water level. Turn the blue fill valve adjustment screw clockwise.</p> <p>B. Install venting according to code.</p> <p>C. Verify that the threaded rods behind the faceplate make contact with the flush buttons. If they do not make contact, thread the rods out to the correct length, and tighten the nuts to lock the rods in place.</p>
2. Fill valve does not shut off.	<p>A. The water level is too high.</p> <p>B. Flush valve gasket or flush valve is damaged.</p> <p>C. Flush valve is sticking open.</p>	<p>A. Lower the tank water level. Turn the blue fill valve adjustment screw counterclockwise.</p> <p>B. Replace the flush valve gasket or flush valve as necessary.</p> <p>C. Check the flush valve and actuating mechanism for free movement. Push-button actuators should raise the levers and then spring back without force. Replace components as necessary.</p>
3. Leaks from behind the bowl.	<p>A. Gaskets are not positioned correctly.</p>	<p>A. Remove the bowl and inspect all the gaskets. Reposition the gaskets if needed. Lubricate the gaskets so they slide over the mating part they seal. Reinstall the bowl, making sure the gaskets stay in the correct position.</p>
4. The carrier and bowl flex when used.	<p>A. Insufficient support for the frame.</p>	<p>A. Add additional support members, and mount the frame with 3/8" or larger lag bolts.</p>
5. No water flow.	<p>A. The supply stop located in the tank is closed.</p> <p>B. There is an obstruction in the waterline.</p> <p>C. Fill valve debris screen is plugged.</p>	<p>A. Open the supply stop (located on the left side).</p> <p>B. Close the external water supply stop and remove the fill valve. Turn on the water supply and check the flow through the supply line. Inspect the entire water path for obstructions. Clear any blockage. Clean the filter screen.</p>

kohler.co.in

THE BOLD LOOK
OF **KOHLER**®

©2024 Kohler Co.



1599895-IN2

1599895-IN2-A