

33299T-NA 线性地漏基座 - 64mm
33301T-NA 线性地漏基座 - 32mm

安装之前

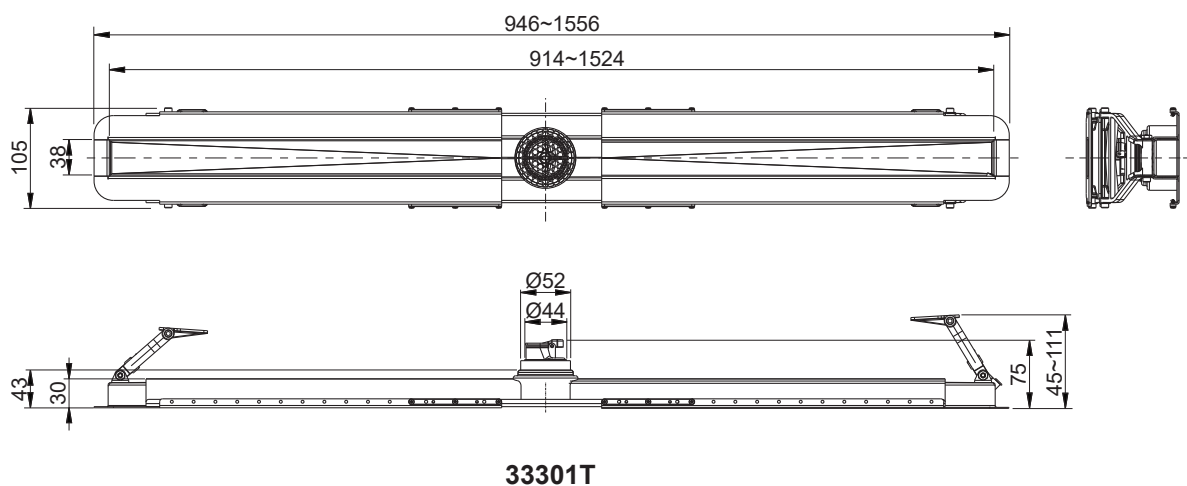
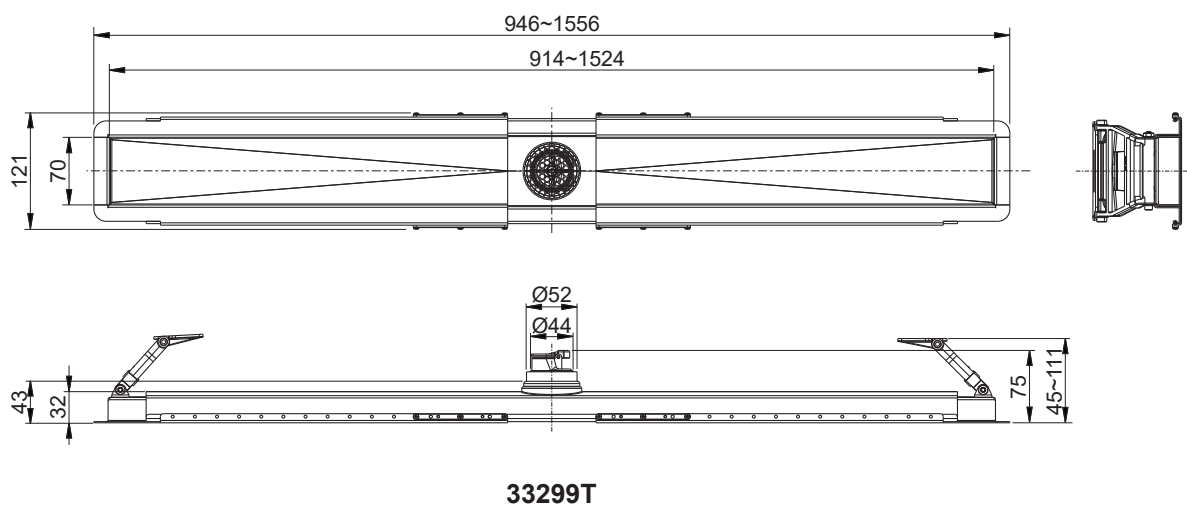
所有的资料是按最新出版的产品资料编写而成。科勒公司保留任何时候不经通知即可改变产品特性、包装或产品可供类型的权利。

说明书包括重要的安装、保养及清洁方面的内容，请把这些资料交给用户阅读。

注意事项：

1. 地漏基座安装步骤将取决于您的淋浴防水方法而有所不同。
2. 遵守当地管路安装条例。
3. 线性地漏网格纹面板(单独出售)可与线性地漏基座配合使用。
4. 此地漏为机械密封式、普通型地面排水地漏。适用于直径为50mm的排水管。

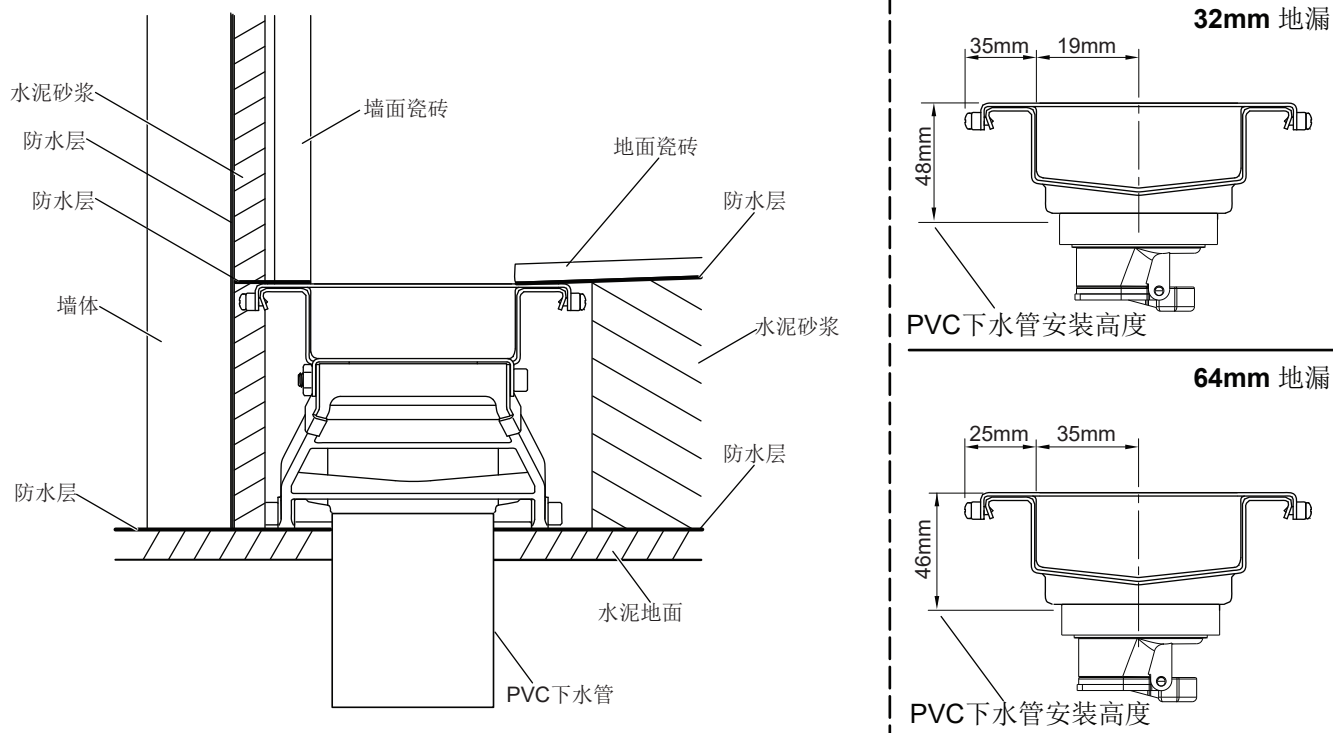
安装尺寸



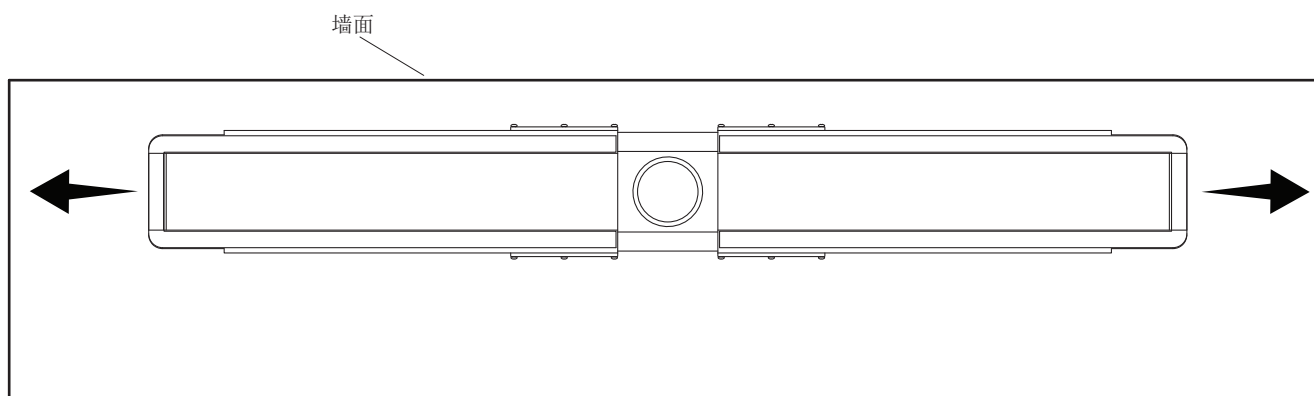
工具和材料(自备)



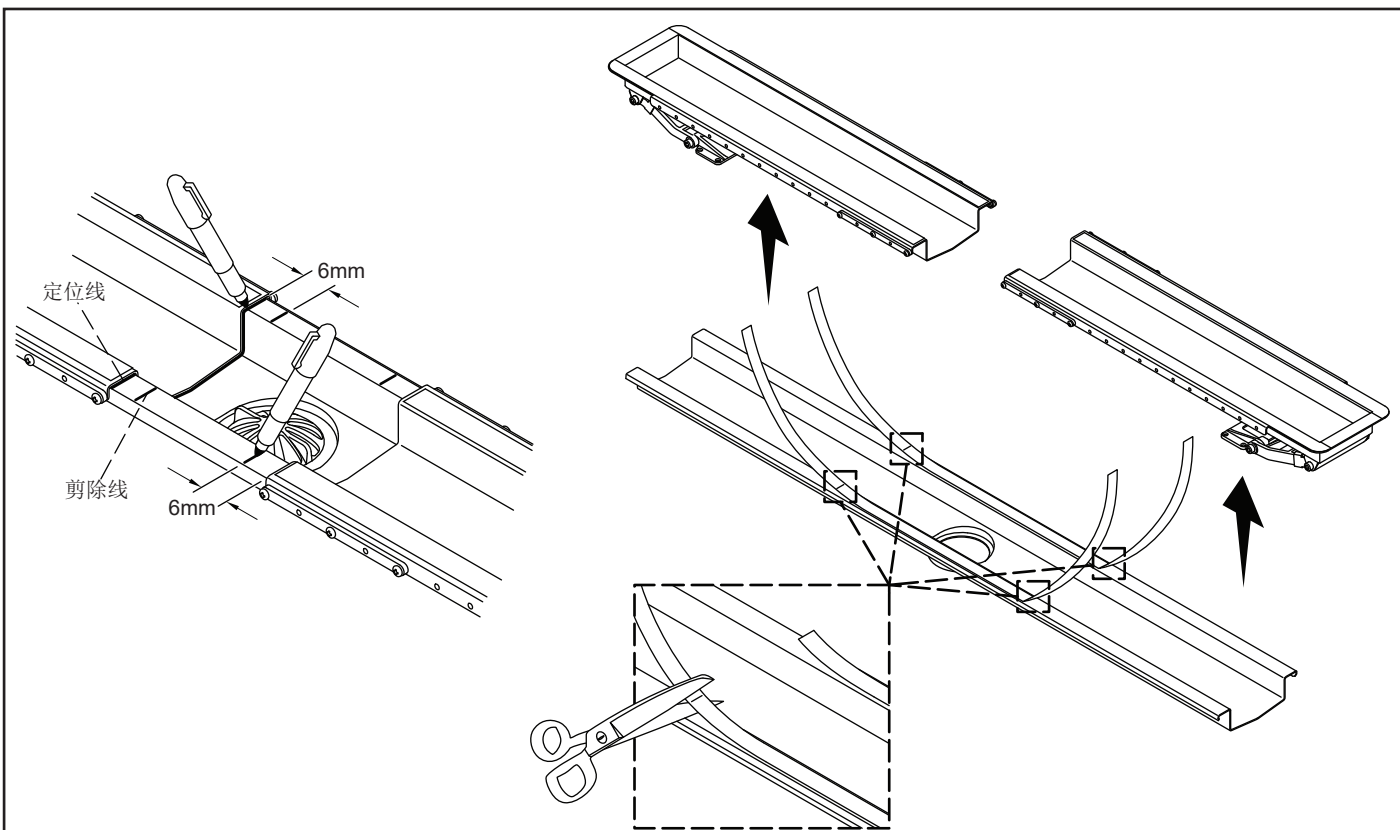
安装示意图



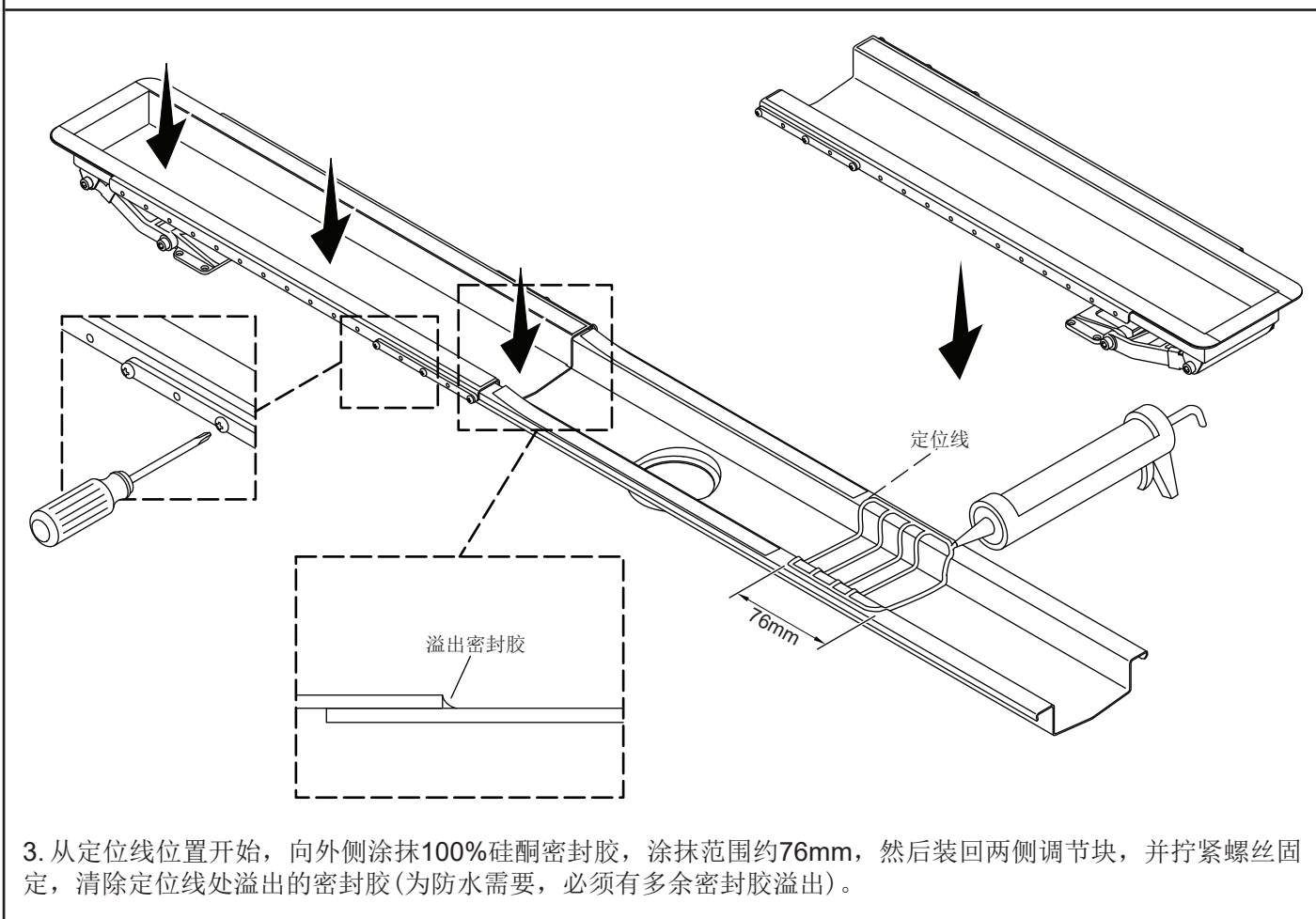
安装步骤



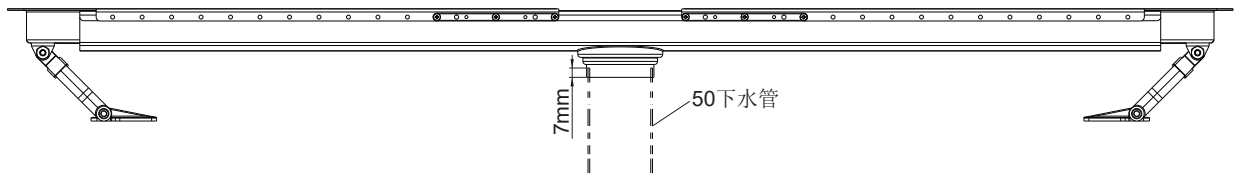
1. 将长形地漏摆放在与墙面平行的位置，长形地漏的长度调节范围为914mm到1524mm，根据需要滑动两侧调节块进行调节(为保持对称性，两侧调节块移动的距离应相等)。为了美观，建议地漏的长度调节到与墙平齐。



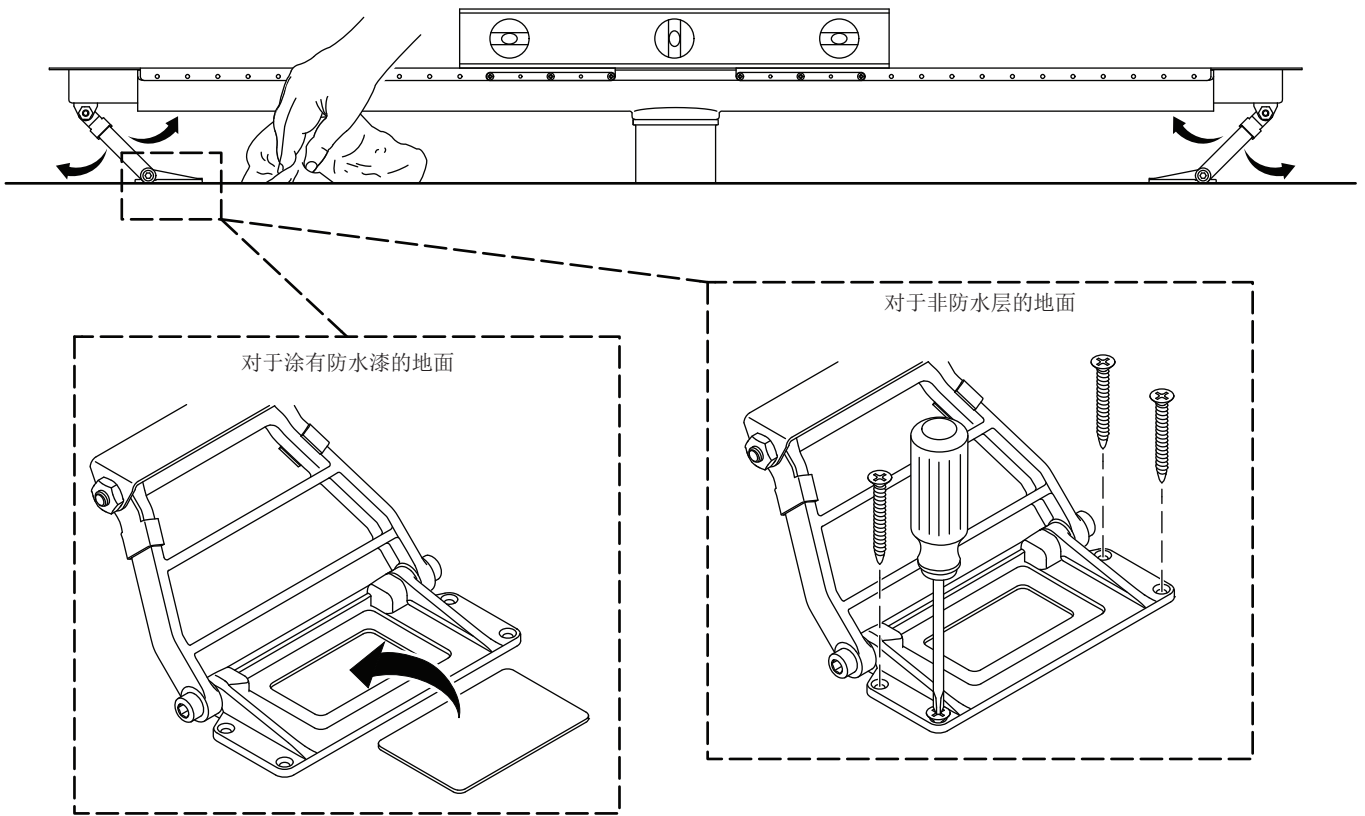
2. 通过调节两侧调节块确定所需长度后，使用记号笔沿着两调节块边缘向下在地漏主体上画调节块定位线，以定位线为基准，距定位线6mm中间方向画保护膜剪除标识线，取下调节块，剪除两侧多余保护膜。



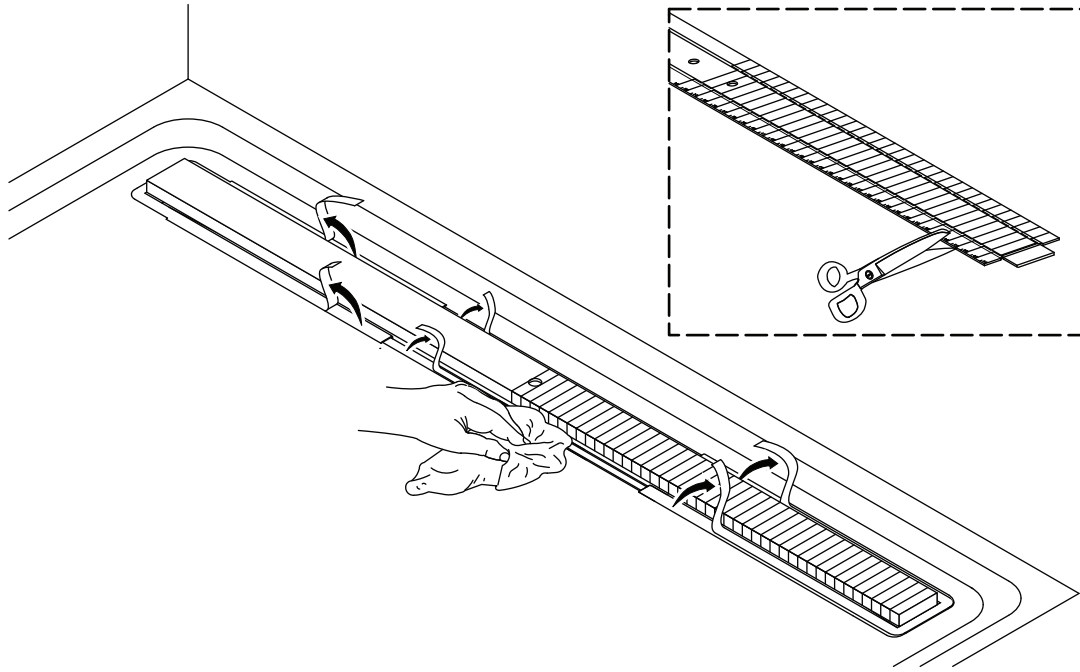
3. 从定位线位置开始，向外侧涂抹100%硅酮密封胶，涂抹范围约76mm，然后装回两侧调节块，并拧紧螺丝固定，清除定位线处溢出的密封胶(为防水需要，必须有多余密封胶溢出)。



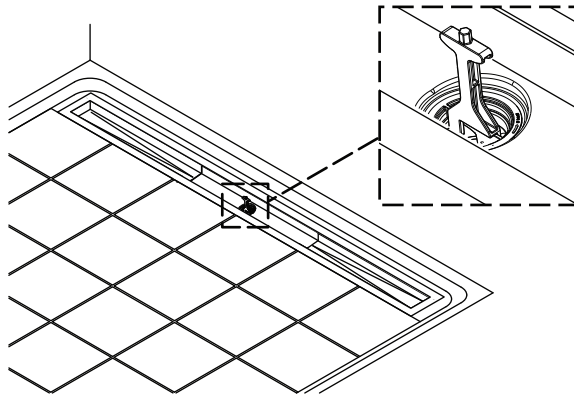
4. 确认长形地漏的安装高度，切除多余50下水管确保其插入地漏约7mm(插入过多会造成地漏芯无法安装)。



5. 利用水平尺，调节支撑架，确保长形地漏保持水平后用随附扳手拧紧支撑架上螺丝。
- 5.1. 对于涂有防水漆的地面，采用胶片粘接使长形地漏与地面固定。
- 5.2. 对于非防水层的地面，可钻孔塞入胀塞后用螺丝固定，注意螺丝不可破坏下方防水层(如有)。



6. 测量长形地漏内槽的长度，利用随附纸板制作瓷砖导轨并折叠后安装到长形地漏内槽中，填满砂浆水泥，去除地漏上的保护膜，做好防水层后，粘贴瓷砖(瓷砖与瓷砖导轨对齐)。



7. 可利用随附工具旋紧翻板地漏芯(工具亦可后续用于取出地漏芯进行清洗)及装上头发过滤器。

清洗说明

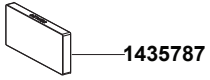
适用于所有加工处理过的表面：以中性肥皂水清洗镀层表面，再以干净的软布彻底擦干整个表面，许多清洁剂，比如氨水、去污粉及洁厕灵等，会对电镀表面造成伤害，切忌使用。

有磨损性的清洁用具或清洁剂也不可用于科勒牌的水龙头及其配件上。

33299T-NA 线性地漏基座 - 64mm

33301T-NA 线性地漏基座 - 32mm

这些零件须按面板安装说明书使用



1435787



1444457

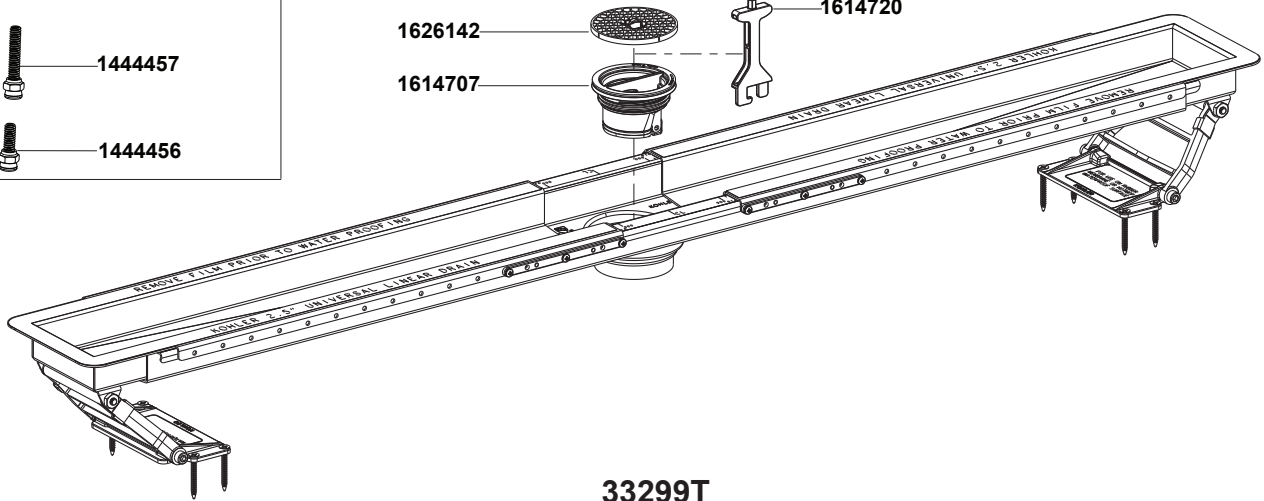


1444456

1626142

1614707

1614720



33299T

这些零件须按面板安装说明书使用



1435785



1444457

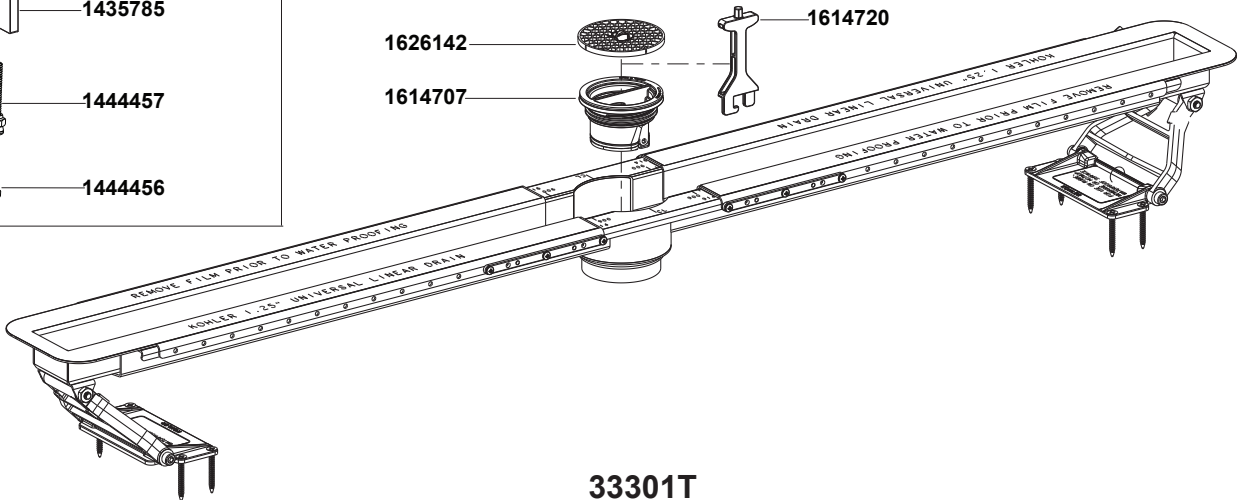


1444456

1626142

1614707

1614720



33301T

**订购时请说明颜色编号;

注意: 除中国外, 其他亚太区订购服务零件时请在前面加SP(即SPxxxxxx**).

INSTALLATION INSTRUCTIONS

33299T-NA Adjustable Linear Drain Channel - 64mm
33301T-NA Adjustable Linear Drain Channel - 32mm

BEFORE YOU BEGIN

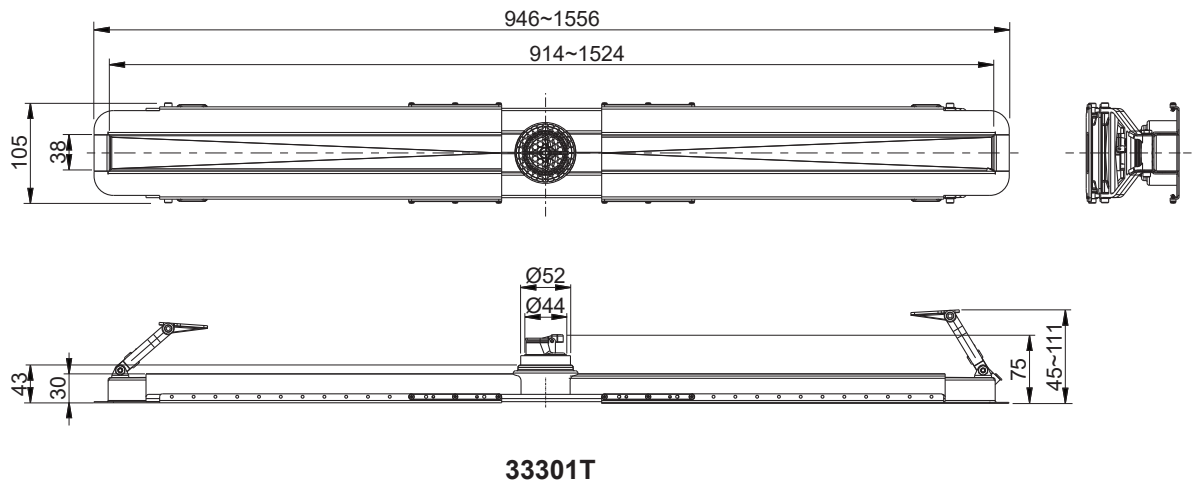
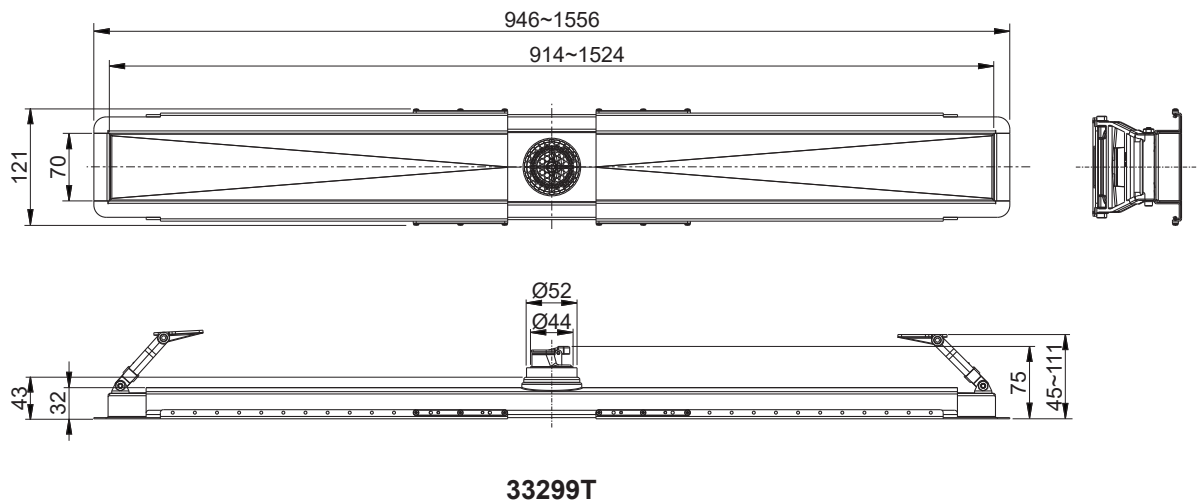
All information is based on the latest product information available at the time of publication. Kohler Co. reserves the right to make changes in product characteristics, packaging, or availability at any time without notice.

Please leave these instructions for the consumer. They contain important information.

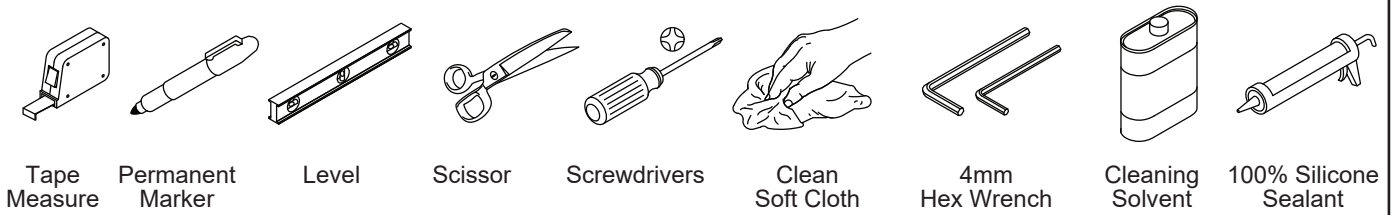
NOTE:

1. Some drain installation steps will vary depending on your shower waterproofing method.
2. Follow all local plumbing and building codes.
3. Drain grates (sold separately) are available to coordinate with the linear drain.
4. These drains are mechanical sealed, ordinary floor drains, which are suitable for $\varnothing 50\text{mm}$ drain pipes.

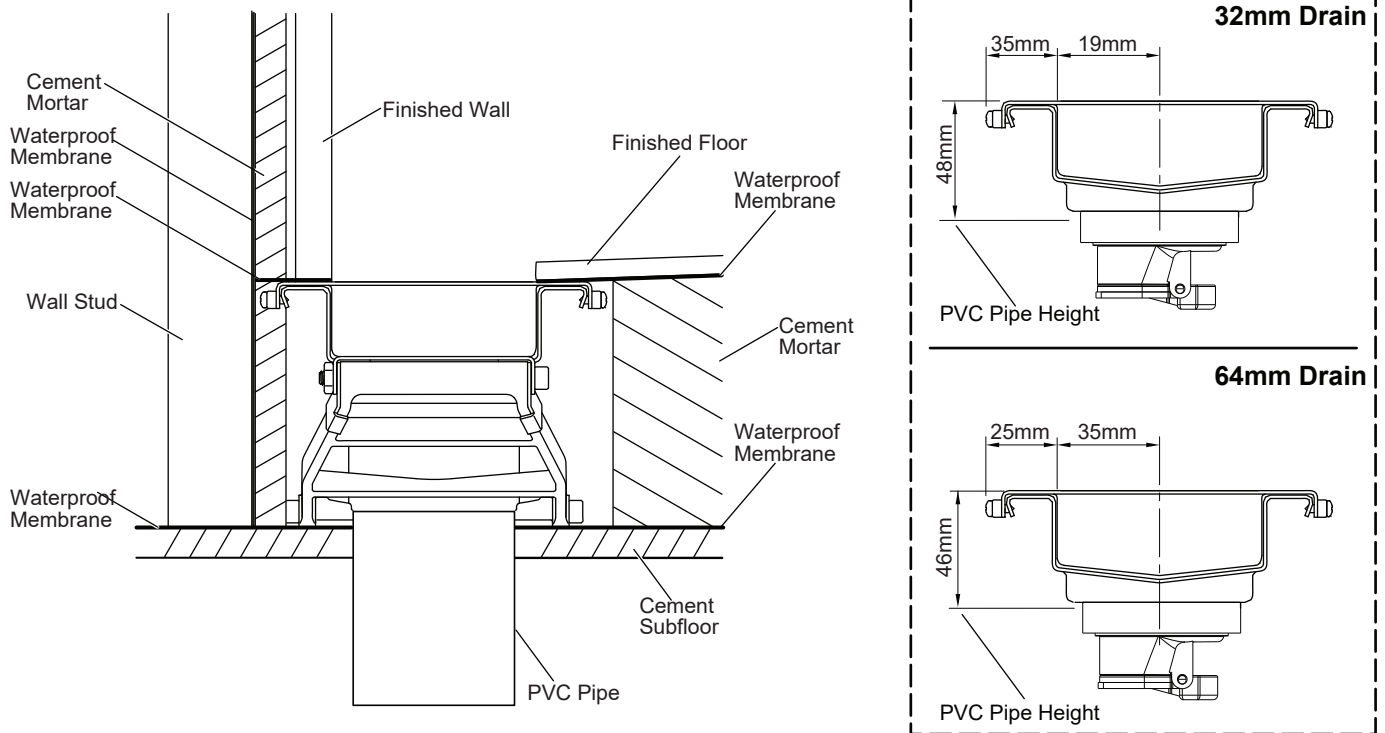
ROUGH-IN DIMENSIONS



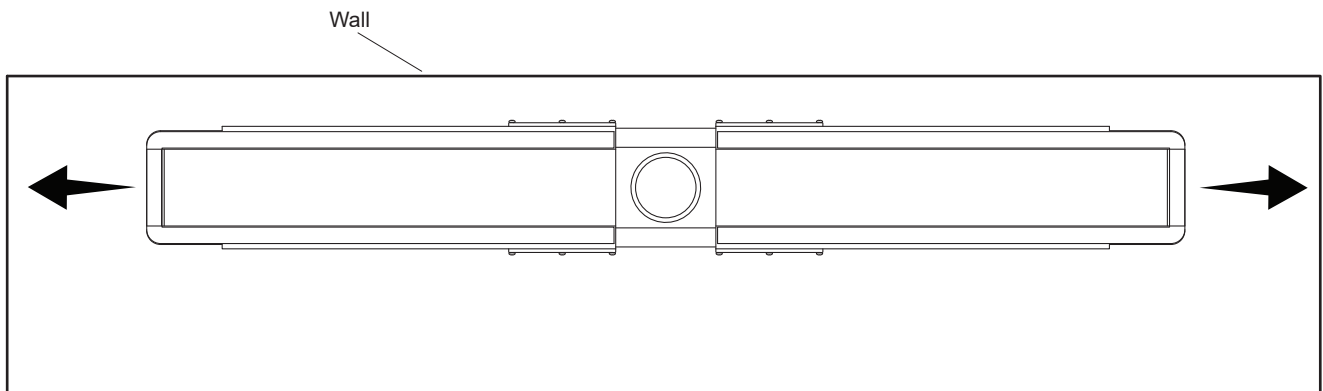
TOOLS AND MATERIALS (USER SUPPLIED)



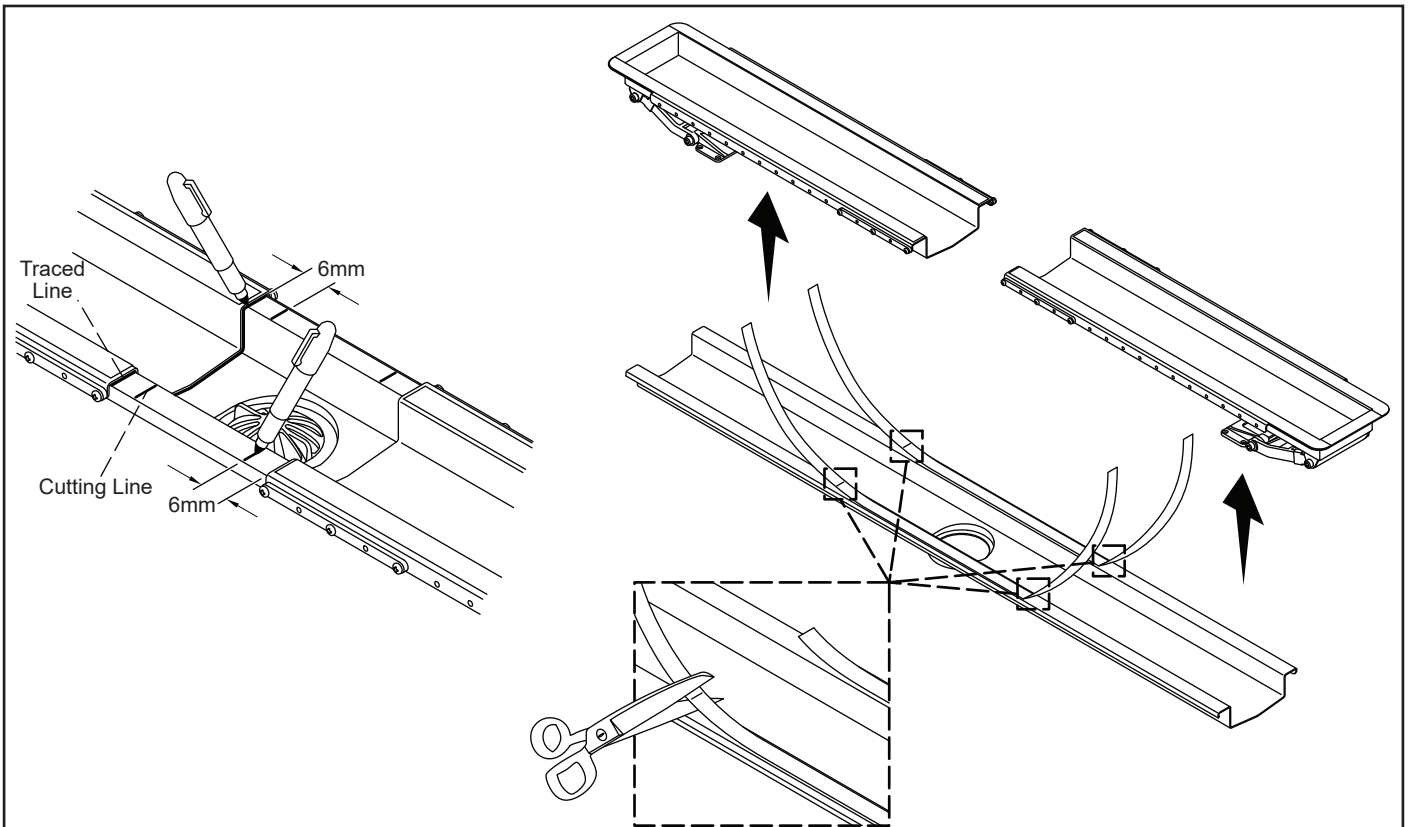
INSTALLATION DIAGRAM



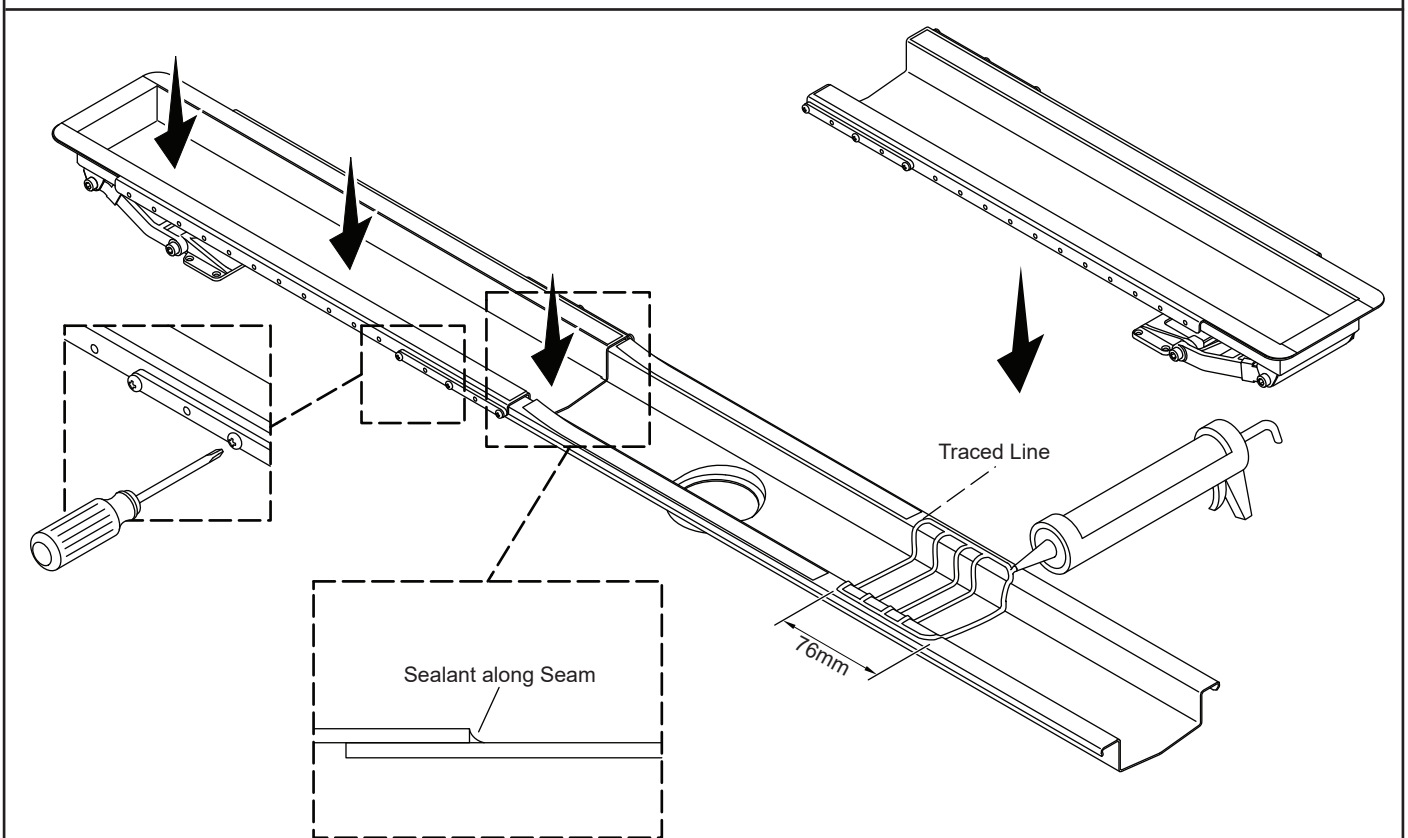
INSTALLATION



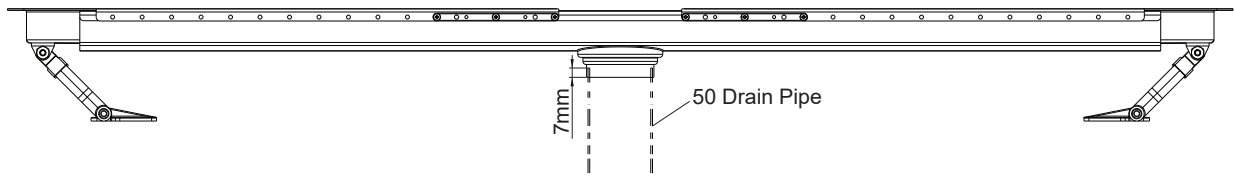
1. Position the drain parallel to the wall. The length of the drain is adjustable from 914mm to 1524mm. Slide the side trays toward the walls (To maintain symmetry, the distance moved by the both side trays should be equal). For aesthetic purposes, it is recommended to adjust the length of the drain to be flush with the wall.



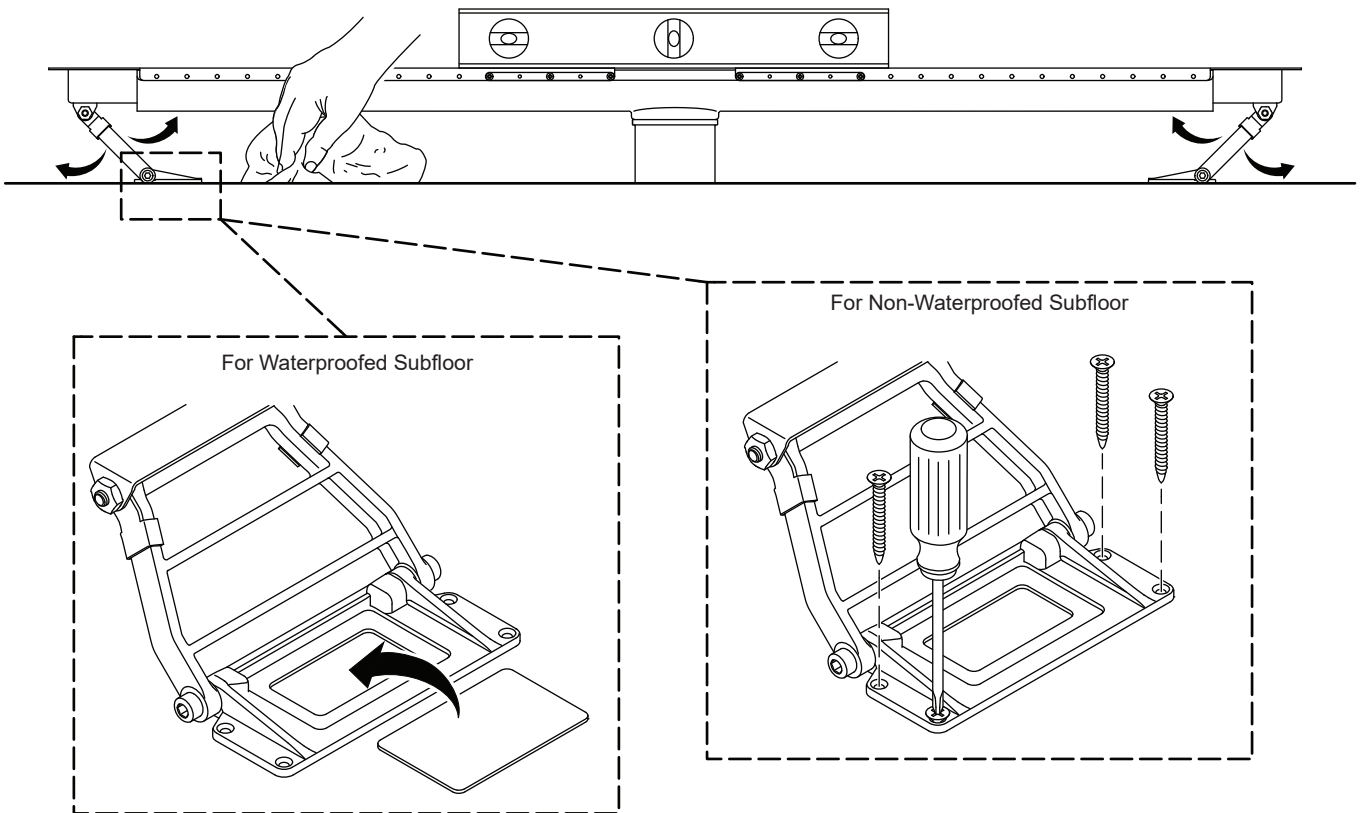
2. After determining the required length by adjusting the both side trays, use a permanent marker to trace the inner edge of both side trays to mark the locations on the drain. Use the traced line as a reference, mark a cutting line of the protective film in the middle direction 6mm away from the traced line. Remove the side trays from the drain. Cut the protective film at the marked locations and discard.



3. Starting at the traced line, apply 100% silicone sealant. Extend the sealant 76mm from the traced line. Reinstall the both side trays, tighten the screws on each side of the tray securely. Remove excess sealant.(For waterproofing purposes, excess sealant must overflow.)



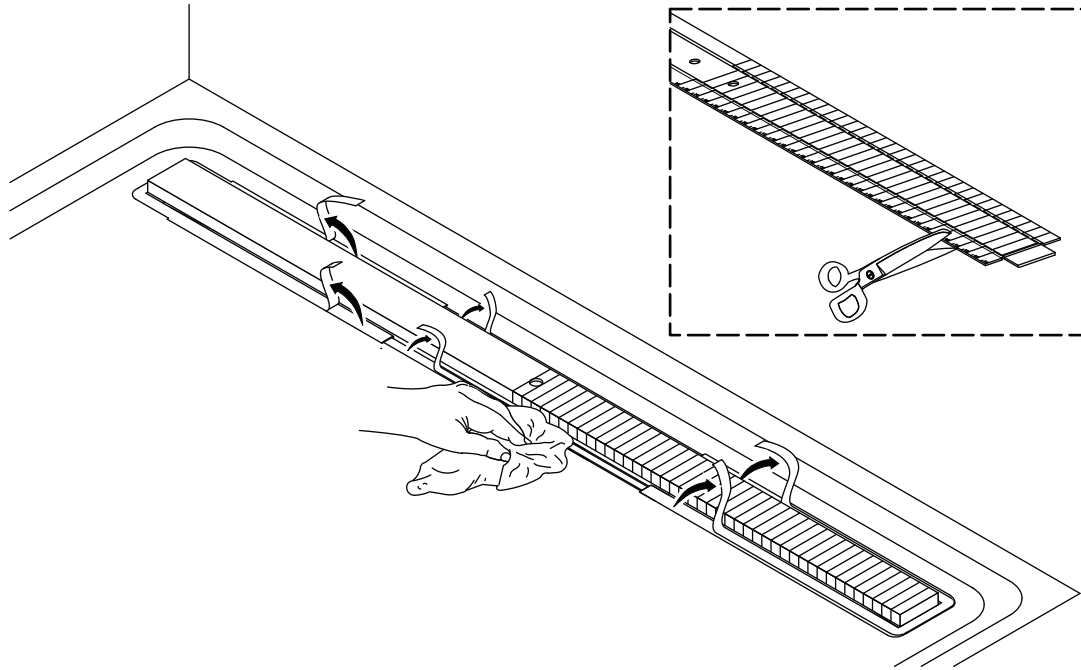
4. Cut the excess 50 drain pipe to achieve the proper drain height and position. Ensure that it is inserted into the drain about 7mm (excessive insertion may cause the core drain fails to be installed).



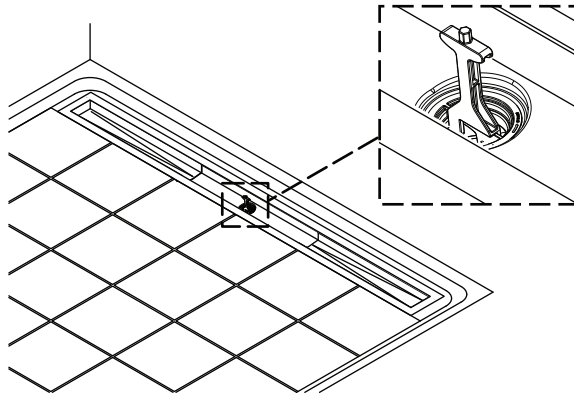
5. Place a level on the drain, and adjust the brackets until the drain is level and in the proper position. Tighten the brackets in position using a 4 mm hex wrench.

5.1. For waterproofed subfloor, use the film to adhere the drain to the subfloor.

5.2. For non-waterproofed subfloor, drill holes and insert the screws to secure each bracket to the subfloor. Take care not to damage the waterproof layer.(if any).



6. Measure the inner length of the drain. Unfold the tile guide and cut to appropriate length. Fold and fit the tile guide into the drain. Fill them with mortar cement. Remove the protective film on the drain. Apply the waterproof layer, and then paste the tiles (align the tiles with the tile guides).



7. Tighten the core drain with the provided tool (the tool can also be used later to remove the core drain for cleaning) and install the hair strainer.

CLEANING INSTRUCTIONS

All Finishes: Clean the finish with mild soap and warm water. Wipe entire surface completely dry with clean soft cloth. Many cleaners may contain chemicals, such as ammonia, chlorine, toilet cleaner etc. which could adversely affect the finish and are not recommended for cleaning.

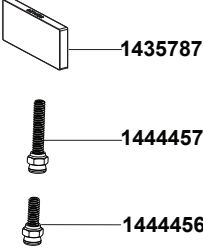
Do not use abrasive cleaners or solvents on Kohler faucets and fittings.

KOHLER®

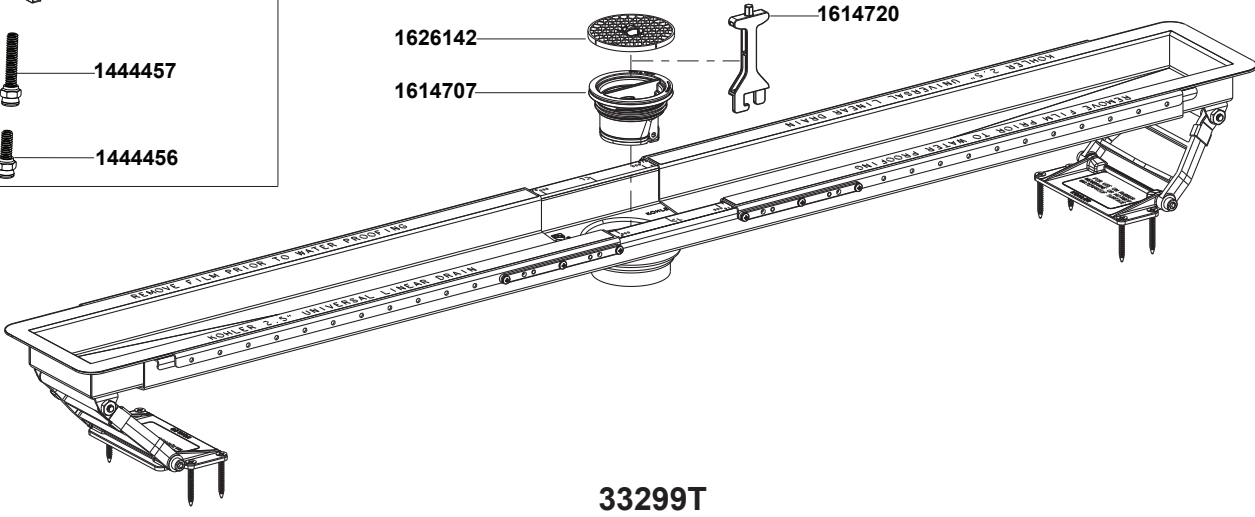
SERVICE PARTS

33299T-NA Adjustable Linear Drain Channel - 64mm
33301T-NA Adjustable Linear Drain Channel - 32mm

Be installed on Grates

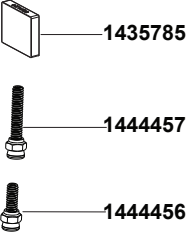


- 1435787
- 1444457
- 1444456

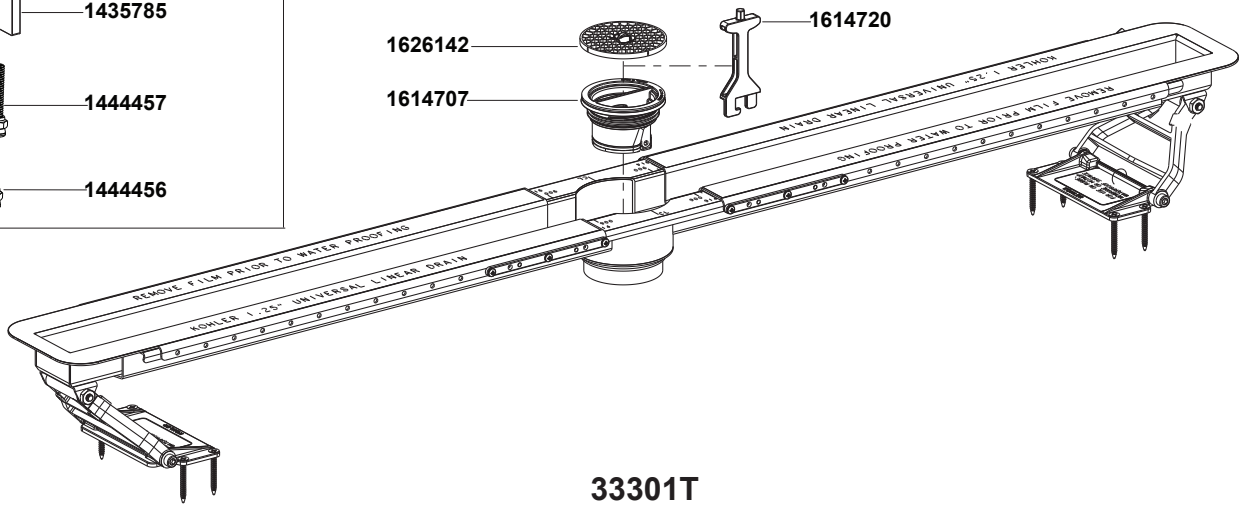


33299T

Be installed on Grates



- 1435785
- 1444457
- 1444456



33301T

**Color code must be specified when ordering.

NOTE: For all Asia pacific regions (excluding China) add SP (SPxxxxxx**) in front of the part number when ordering.