

Installation Instructions

Urinal

Record your model number: _____

KOHLER[®]

Thank You for Choosing KOHLER

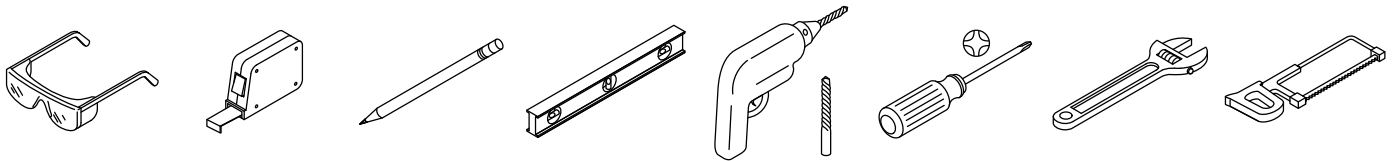
Need help? Contact our Customer Care Center.

- Email: indiacustomercare@kohler.com
- Call: 1800-103-2244

Warranty

This product is covered under the KOHLER® India Faucet, Sanitaryware and Bathing Products Limited Warranty, found at kohler.co.in/warranty.

Required Tools and Materials



Additional Required Tools and Materials:

- PVC Glue
- Silicone Lubricating Grease
- 3/4" Diameter Copper Pipe
- Stand to support the urinal during installation

Before You Begin

Turn OFF the water supply.

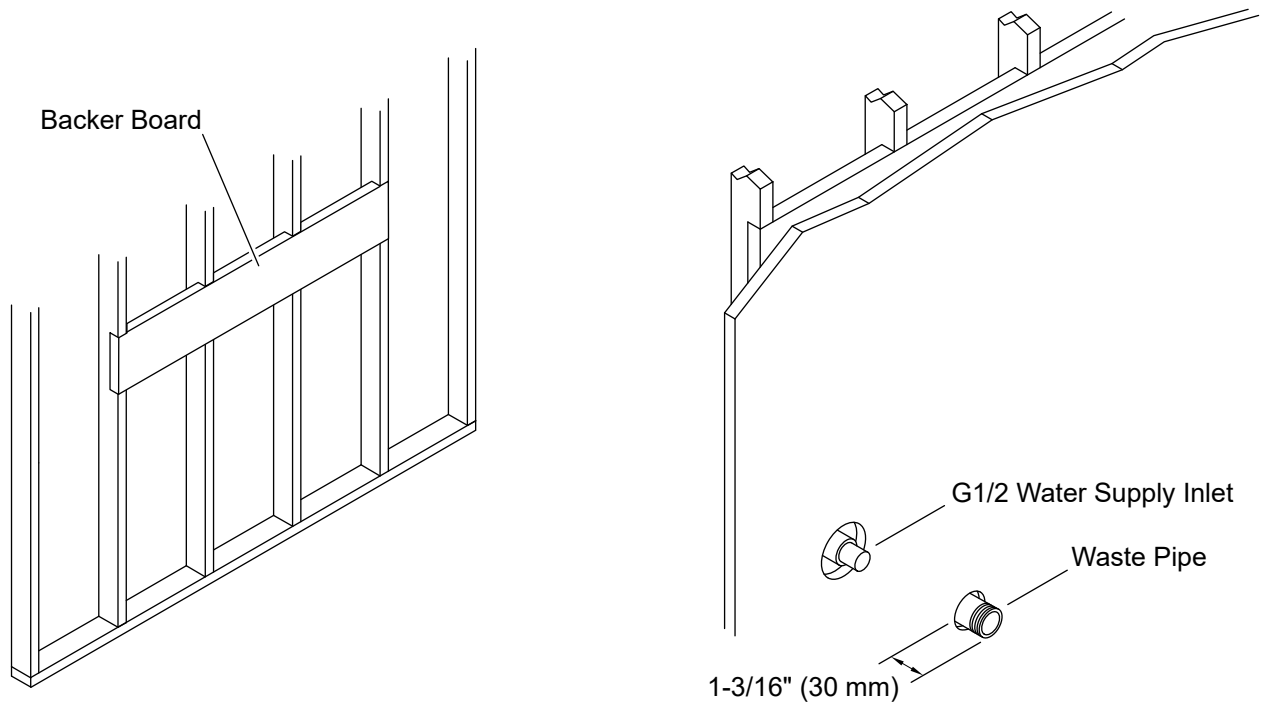
Follow all local plumbing and building codes.

Refer to the Specification Sheet for dimensional information.

Install the flushometer following the manufacturer's instructions.

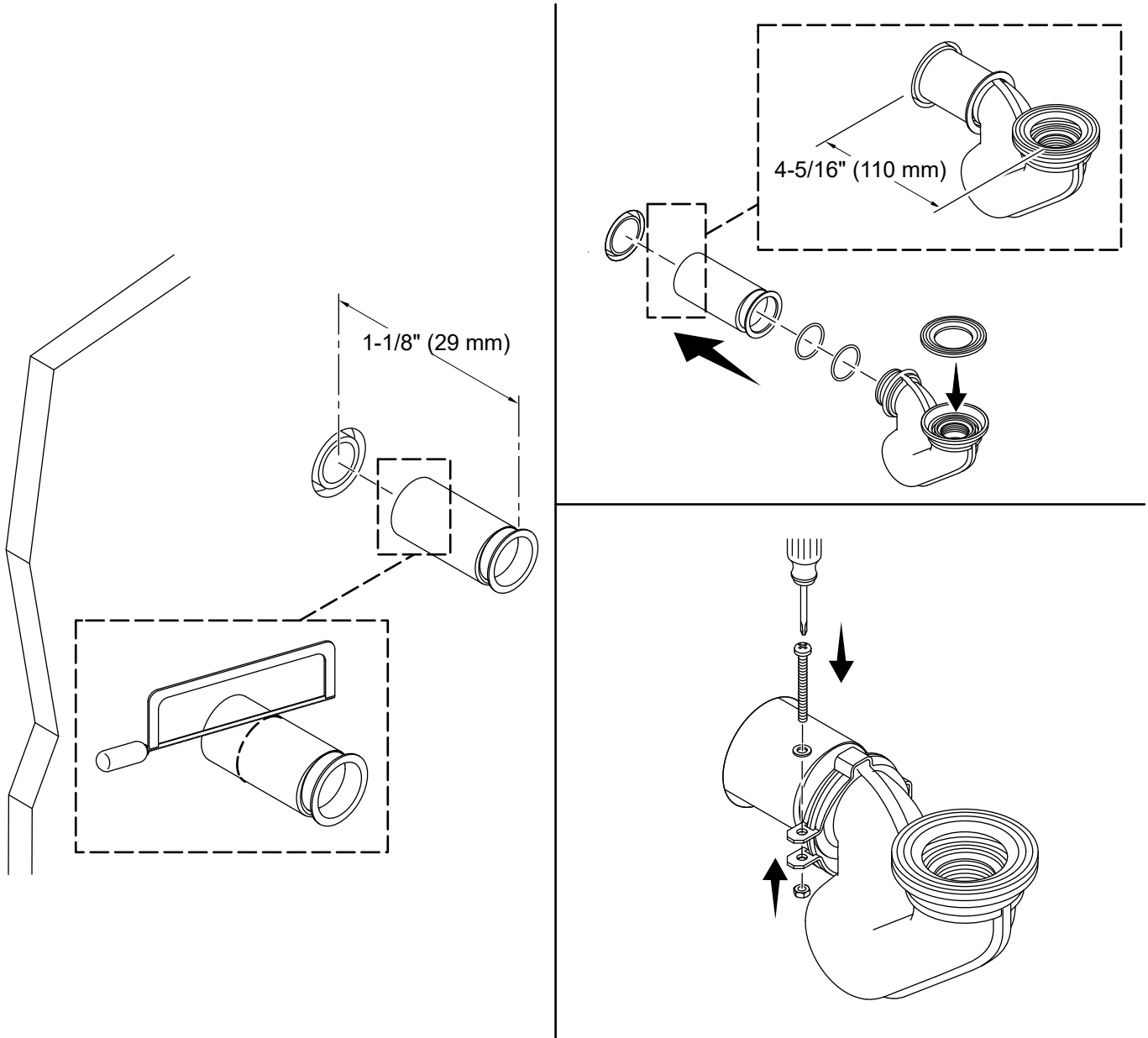
Install the water supply lines and piping.

1. Prepare the Site



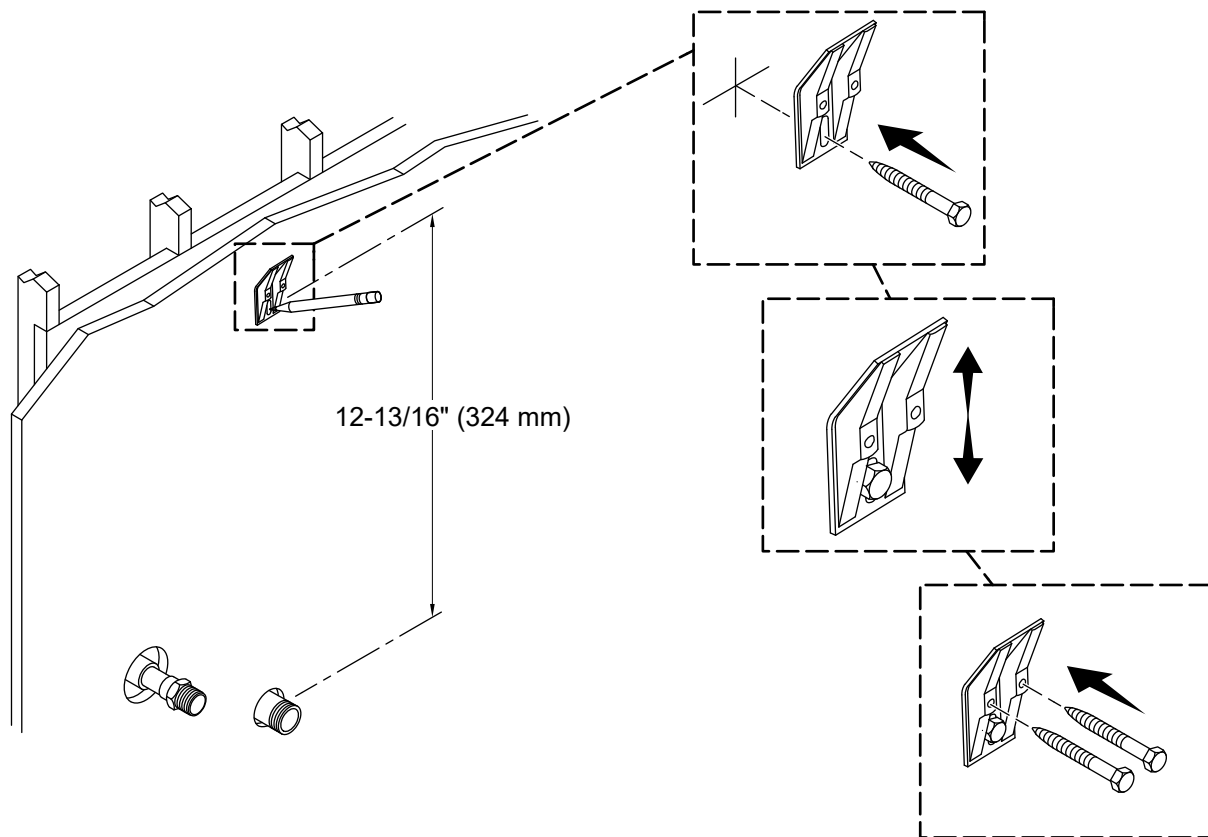
- Install a backer board for additional support, if needed. Verify that the front of the backer board is installed flush with the studs.
- Install a waste pipe according to the Specification Sheet and your choice of waste pipe adapter. Verify that the waste pipe extends 1-3/16" (30 mm) from the finished wall.
- Install a G1/2 water supply inlet according to the Specification Sheet.
- Install the shut-off valve.

2. Prepare the Trapway



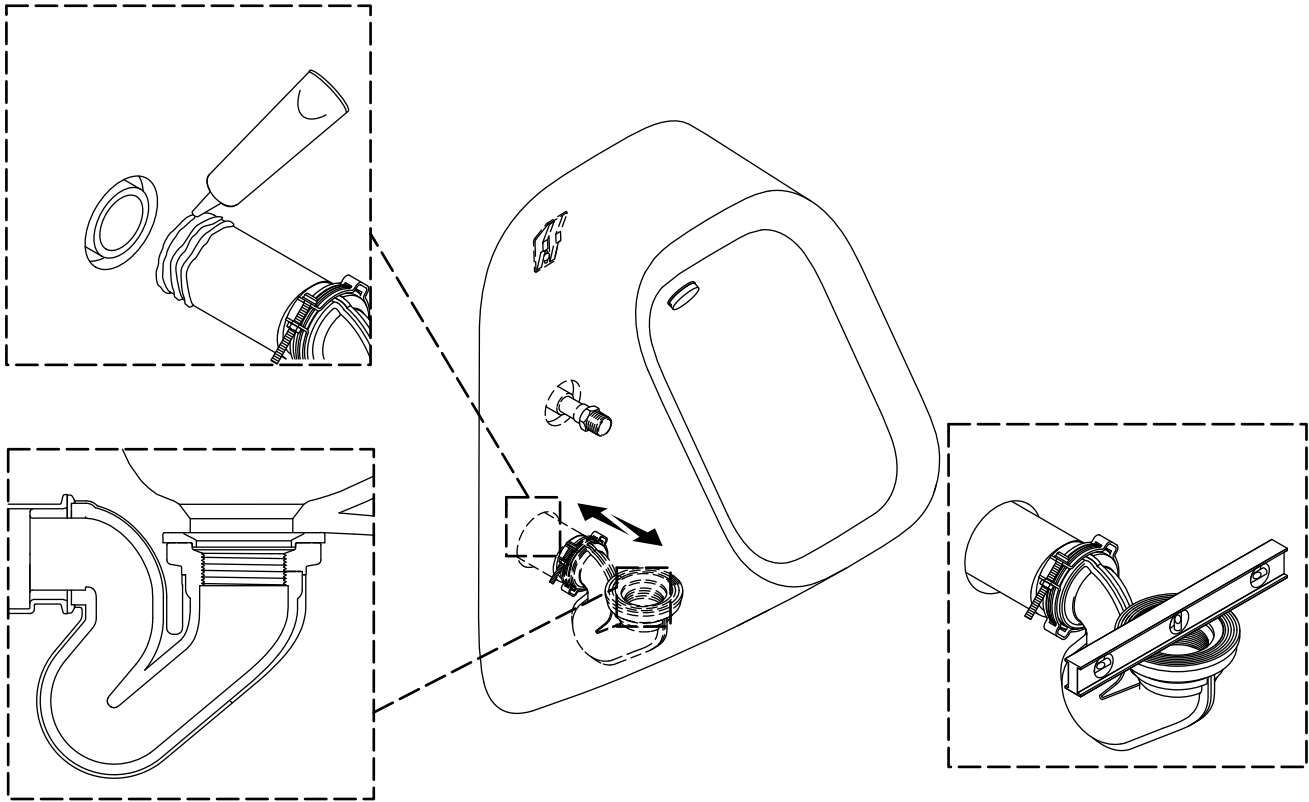
- Loosely install the tube adapter inside the waste pipe 1-1/8" (29 mm) beyond the finished wall. Cut the tube adapter as needed.
- Assemble the trapway and verify that the center of the trapway is 4-5/16" (110 mm) from the finished wall.
- Secure the trapway to the tube adapter with the clamp.

3. Install the Wall Hanger



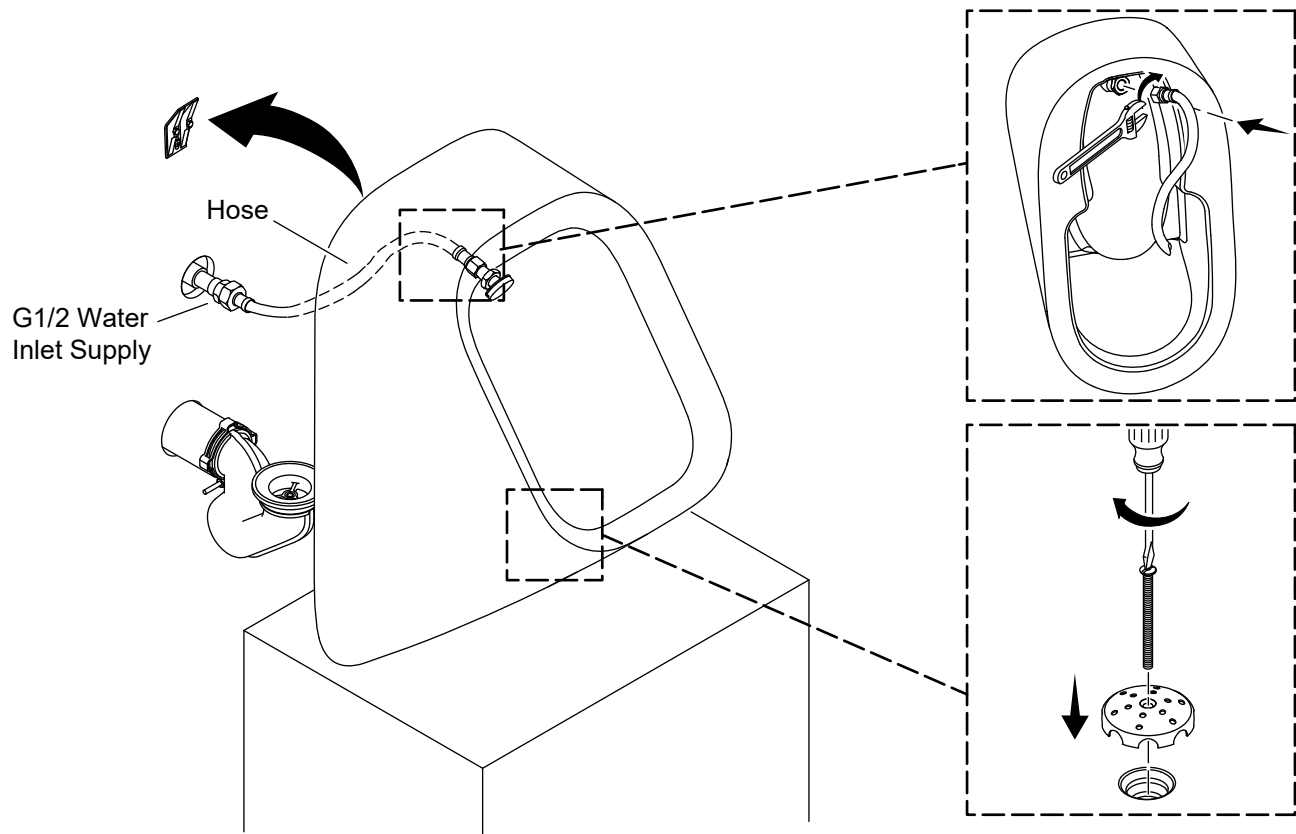
- Position the bottom slot of the wall hanger 12-13/16" (324 mm) above the center of the waste pipe.
- Mark the center of each location for the screws.
- Drill the holes at each location and loosely install a screw through the bottom slot of the wall hanger.
- Carefully hang the urinal on the wall hanger to verify that the urinal will align with the trapway.
- Remove the urinal.
- Position the wall hanger up or down as needed.
- Secure the wall hanger with the provided screws.

4. Install the Trapway



- Position the urinal on the wall hanger. Adjust the extension of the trapway to align with the urinal.
- Remove the urinal.
- Apply PVC glue to the outside of the tube adapter.
- Insert the tube adapter into the waste pipe. Verify that the opening of the trapway is level.

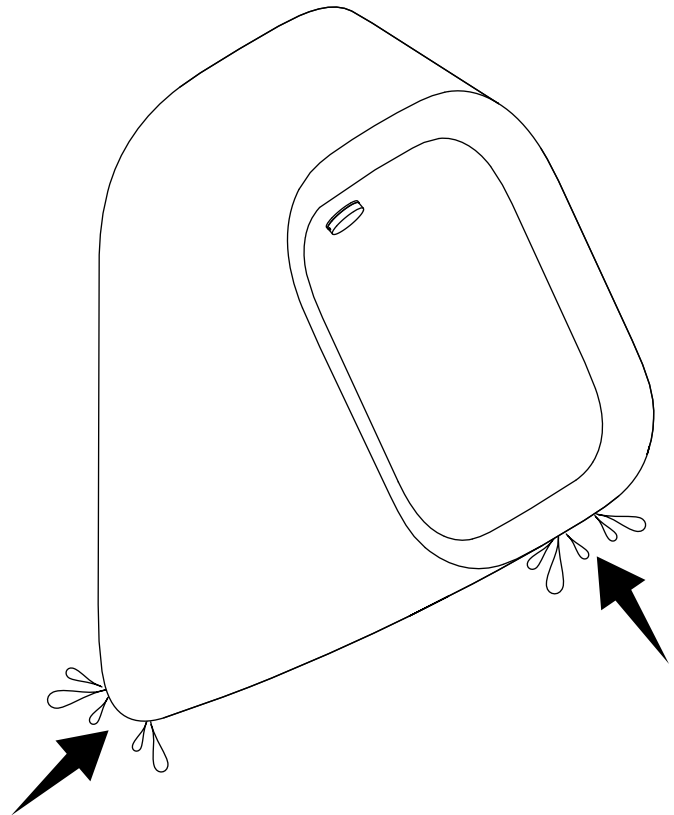
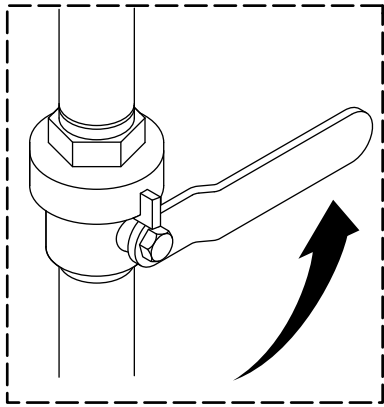
5. Install the Urinal



IMPORTANT! To avoid damaging the strainer, remove the strainer when cleaning the urinal with abrasive cleaning materials or scouring pads.

- Attach the hose to the urinal. Tighten the hose 1/2-turn past hand-tight.
- Support the urinal on a stand.
- Connect the hose to the G1/2 water supply inlet. Tighten the hose 1/2-turn past hand-tight.
- Hang the urinal on the wall hanger. **Do not pinch or kink the hose.**
- Verify that the urinal aligns with the trapway.
- Apply silicone lubricating grease to the trapway gasket.
- Install the strainer.

6. Complete the Installation



NOTE: If water splashes or overflows when the urinal is flushed, adjust the water pressure lower using the control stop.

- Pour water down the trapway and check for leaks.
- Install the flushometer following the manufacturer's instructions.
- Adjust the flush flow rate as desired following the manufacturer's instructions.
- Turn ON the water supply. Check for leaks.

kohler.co.in

THE BOLD LOOK
OF **KOHLER**®

©2024 Kohler Co.



1601198-IN2

1601198-IN2-A