

Installation Instructions

Urinal

Record your model number: _____

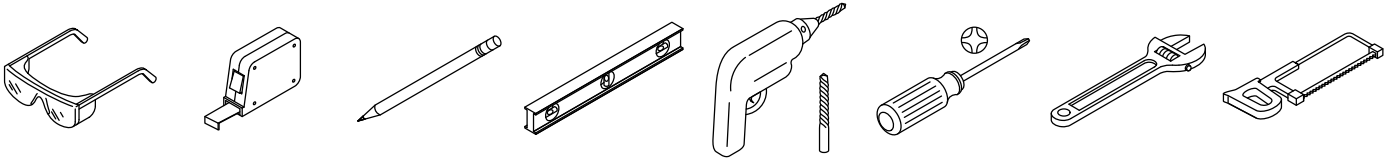
KOHLER[®]

Thank You for Choosing KOHLER

Need help? Contact our Customer Care Center.

- Email: indiacustomer@kohler.com
- Call: 1800-103-2244

Required Tools and Materials



Additional Required Tools and Materials:

- PVC Glue
- Silicone Lubricating Grease
- 3/4" Diameter Copper Pipe
- Stand to support the urinal during installation

Before You Begin

Turn OFF the water supply.

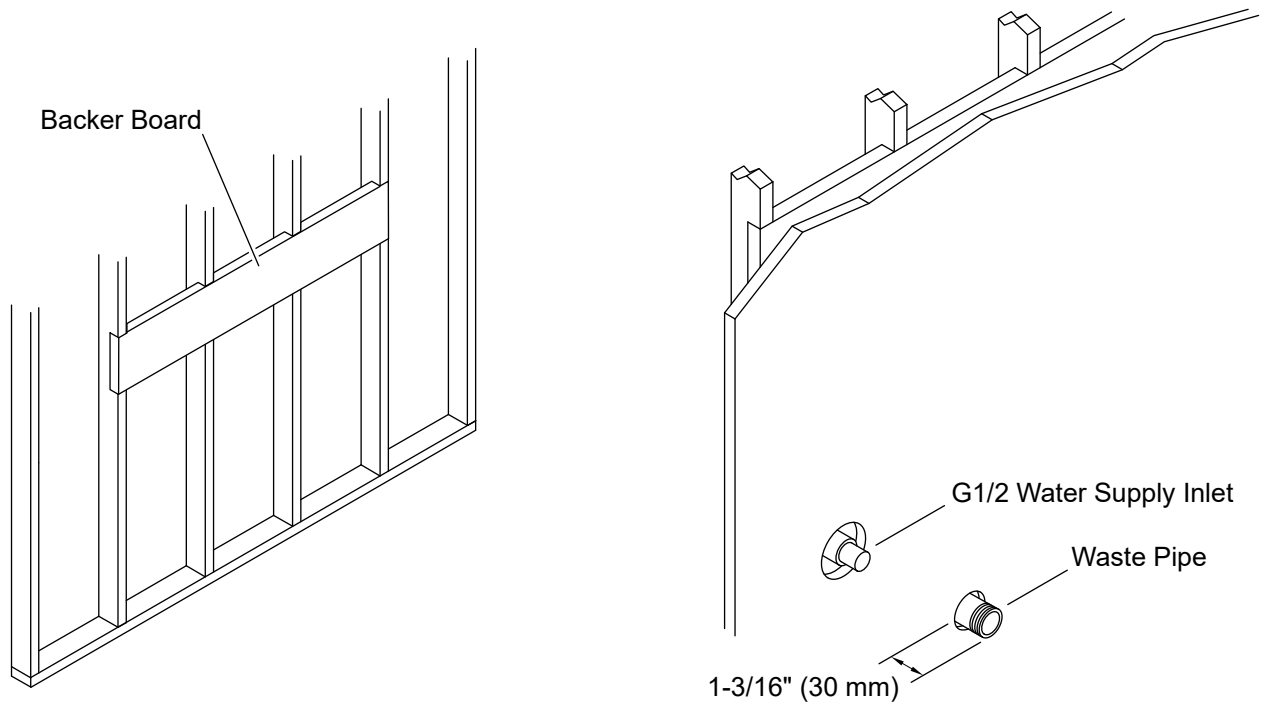
Follow all local plumbing and building codes.

Refer to the Specification Sheet for dimensional information.

Install the flushometer following the manufacturer's instructions.

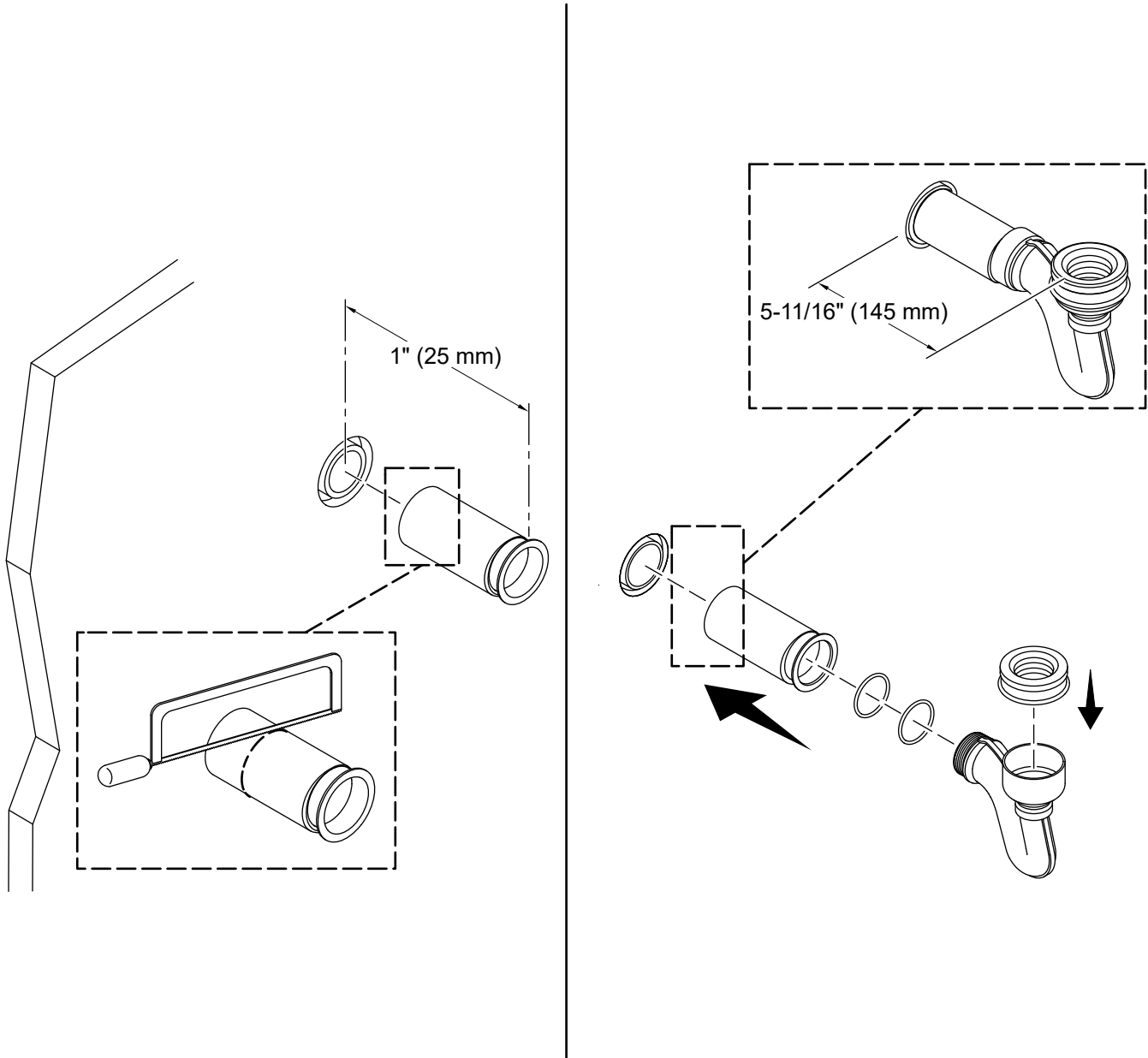
Install the water supply lines and piping.

1. Prepare the Site



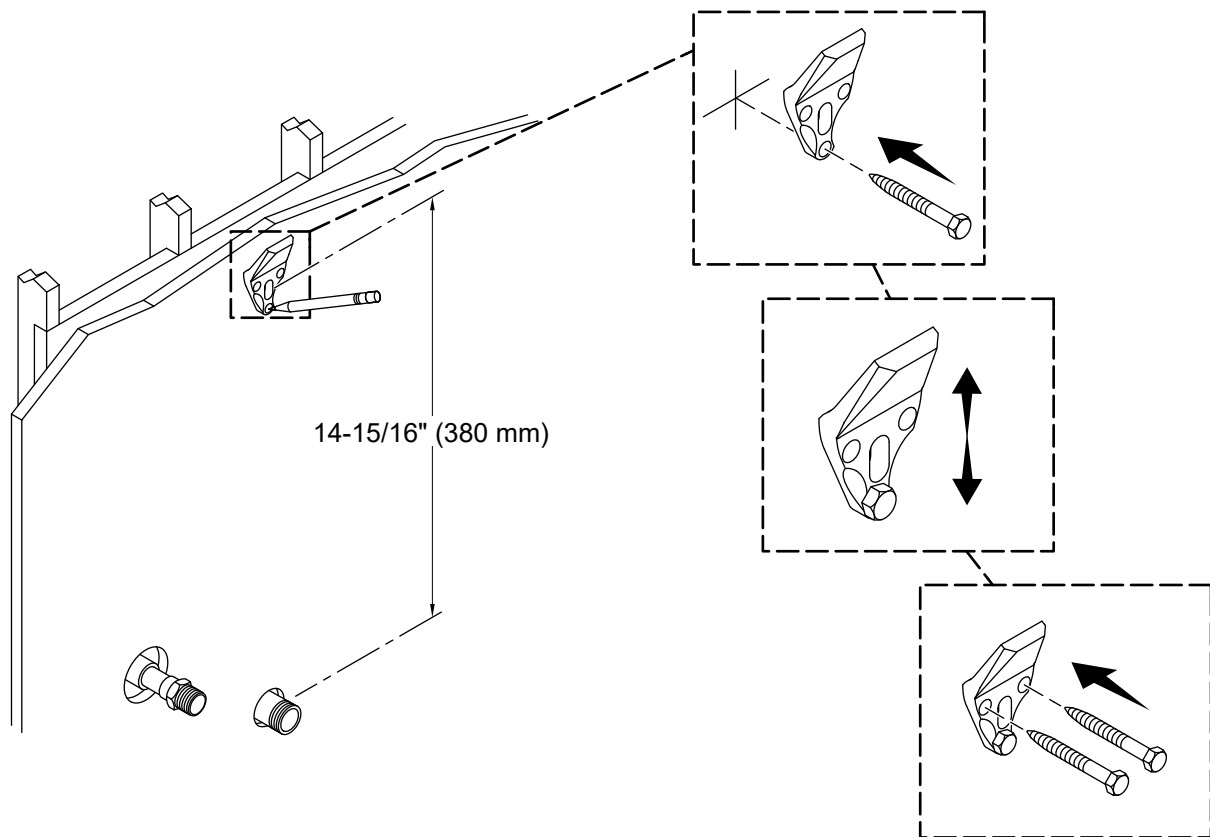
- Install a backer board for additional support, if needed. Verify that the front of the backer board is installed flush with the studs.
- Install a waste pipe according to the Specification Sheet and your choice of waste pipe adapter. Verify that the waste pipe extends 1-3/16" (30 mm) from the finished wall.
- Install a G1/2 water supply inlet according to the Specification Sheet.
- Install the shut-off valve.

2. Prepare the Trapway



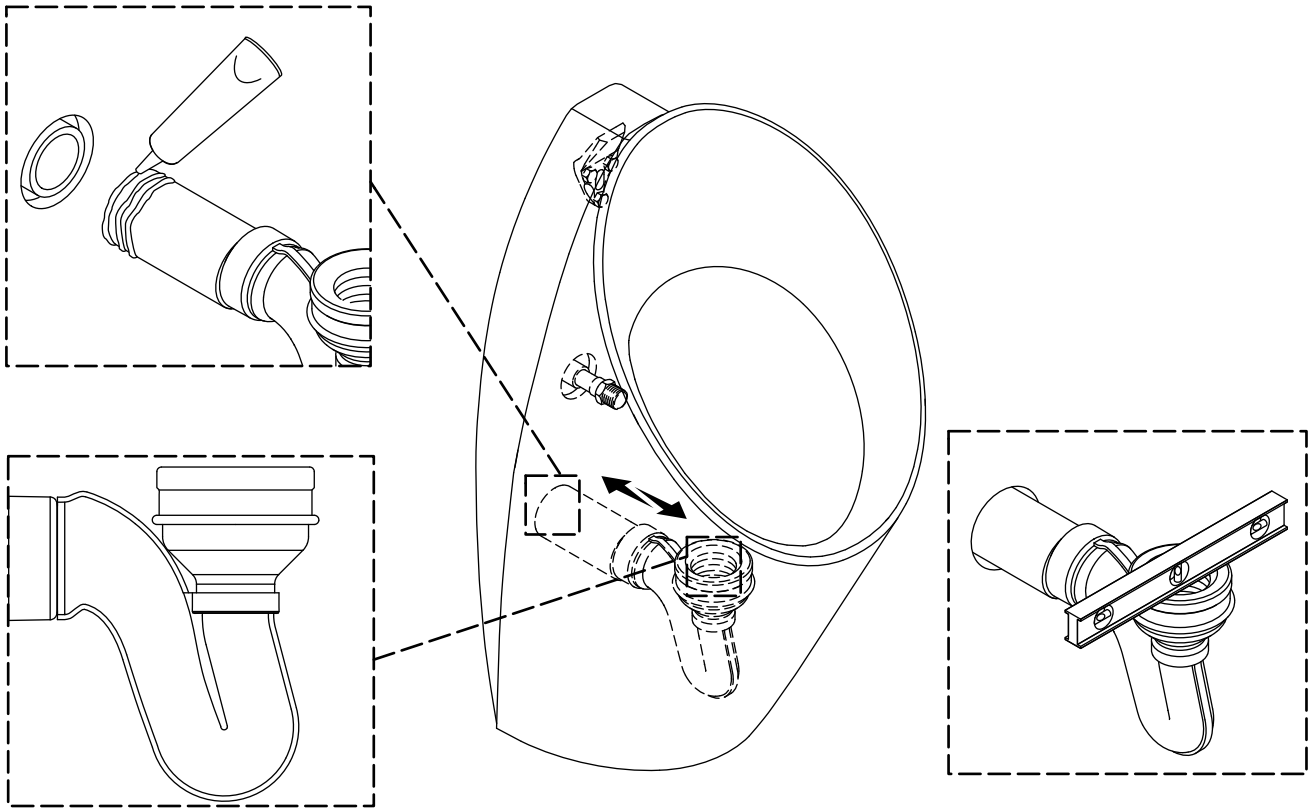
- Loosely install the tube adapter inside the waste pipe 1" (25 mm) beyond the finished wall. Cut the tube adapter as needed.
- Assemble the trapway and verify that the center of the trapway is 5-11/16" (145 mm) from the finished wall.

3. Install the Wall Hanger



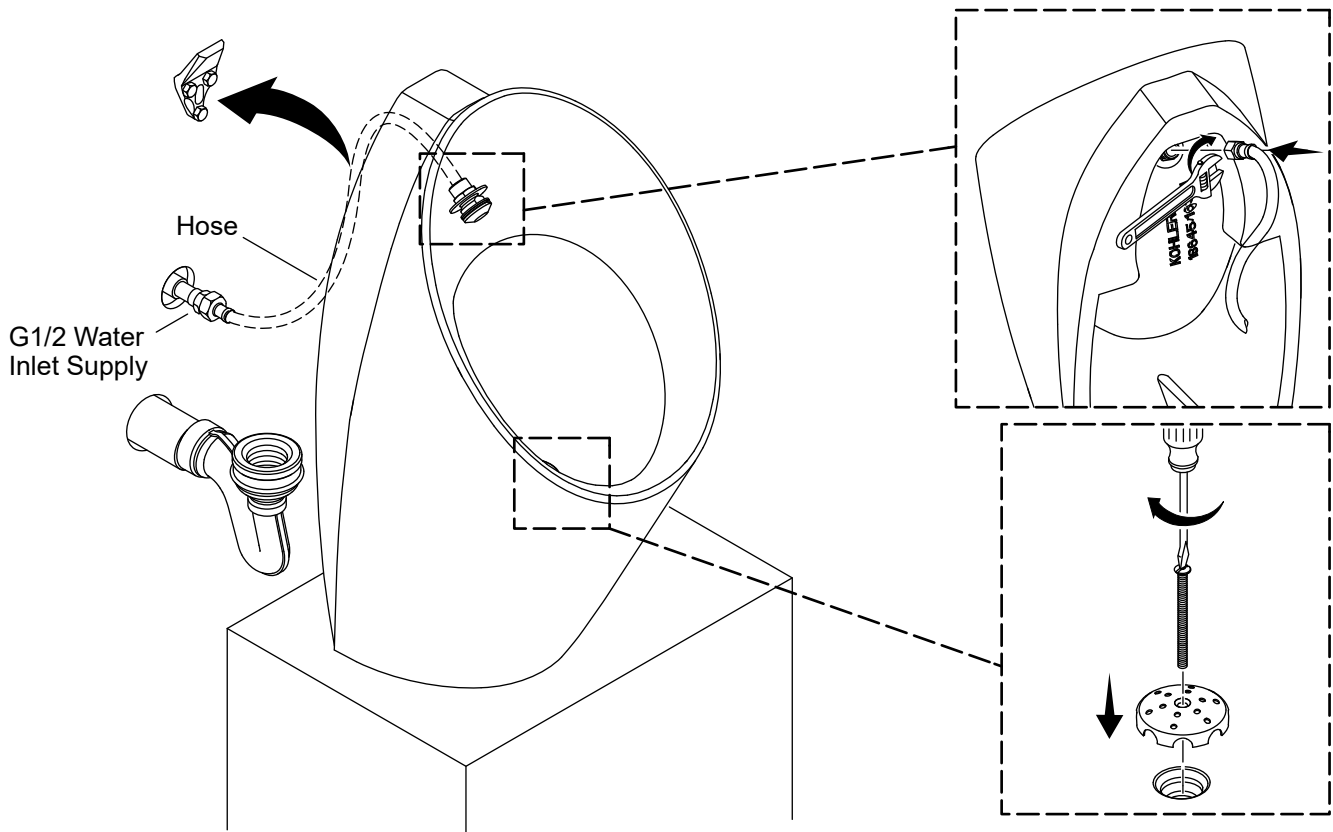
- Position the bottom slot of the wall hanger 14-15/16" (380 mm) above the center of the waste pipe.
- Mark the center of each location for the screws.
- Drill the holes at each location and loosely install a screw through the bottom slot of the wall hanger.
- Carefully hang the urinal on the wall hanger to verify that the urinal will align with the trapway.
- Remove the urinal.
- Position the wall hanger up or down as needed.
- Secure the wall hanger with the provided screws.

4. Install the Trapway



- Position the urinal on the wall hanger. Adjust the extension of the trapway to align with the urinal.
- Remove the urinal.
- Apply PVC glue to the outside of the tube adapter.
- Insert the tube adapter into the waste pipe. Verify that the opening of the trapway is level.

5. Install the Urinal

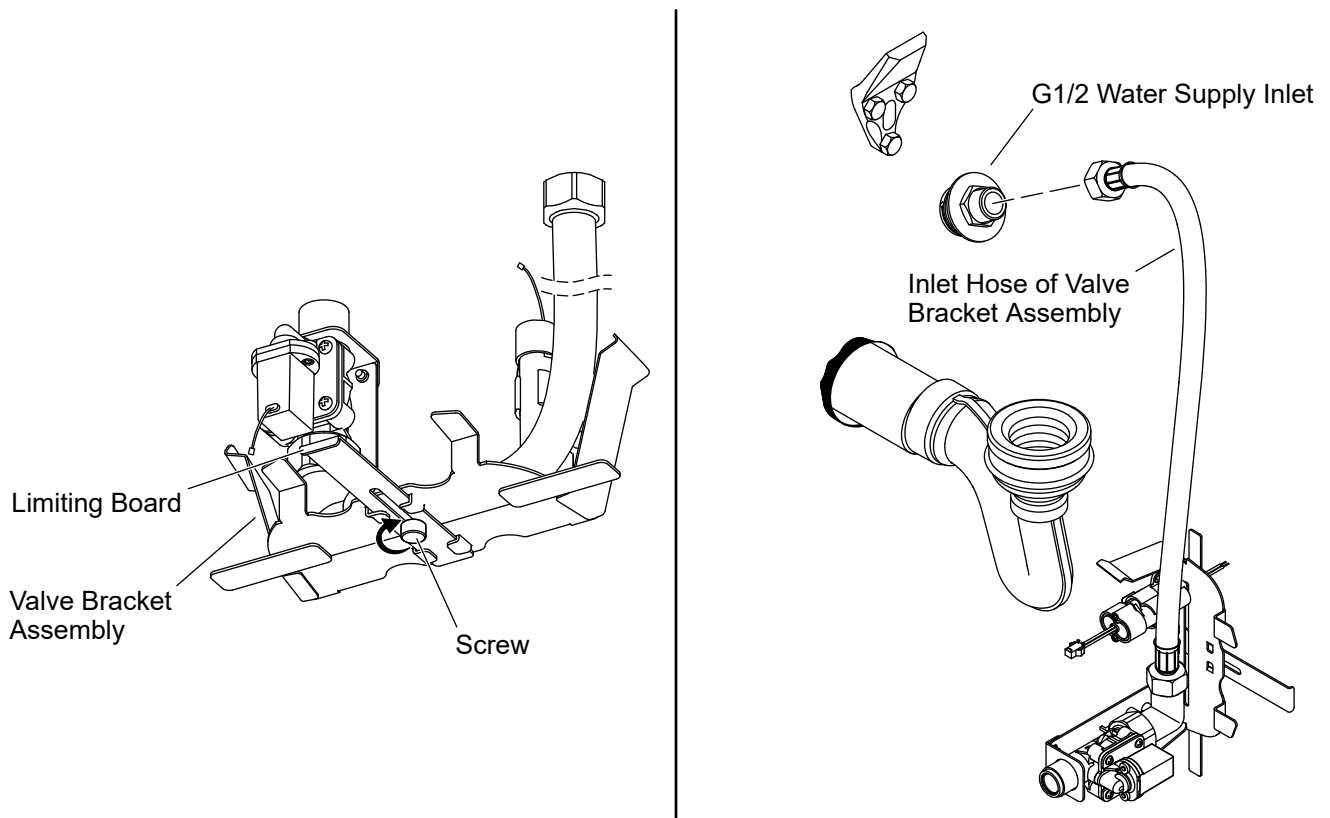


NOTE: If installing the urinal with valve bracket assembly, proceed to the next section.

IMPORTANT! To avoid damaging the strainer, remove the strainer when cleaning the urinal with abrasive cleaning materials or scouring pads.

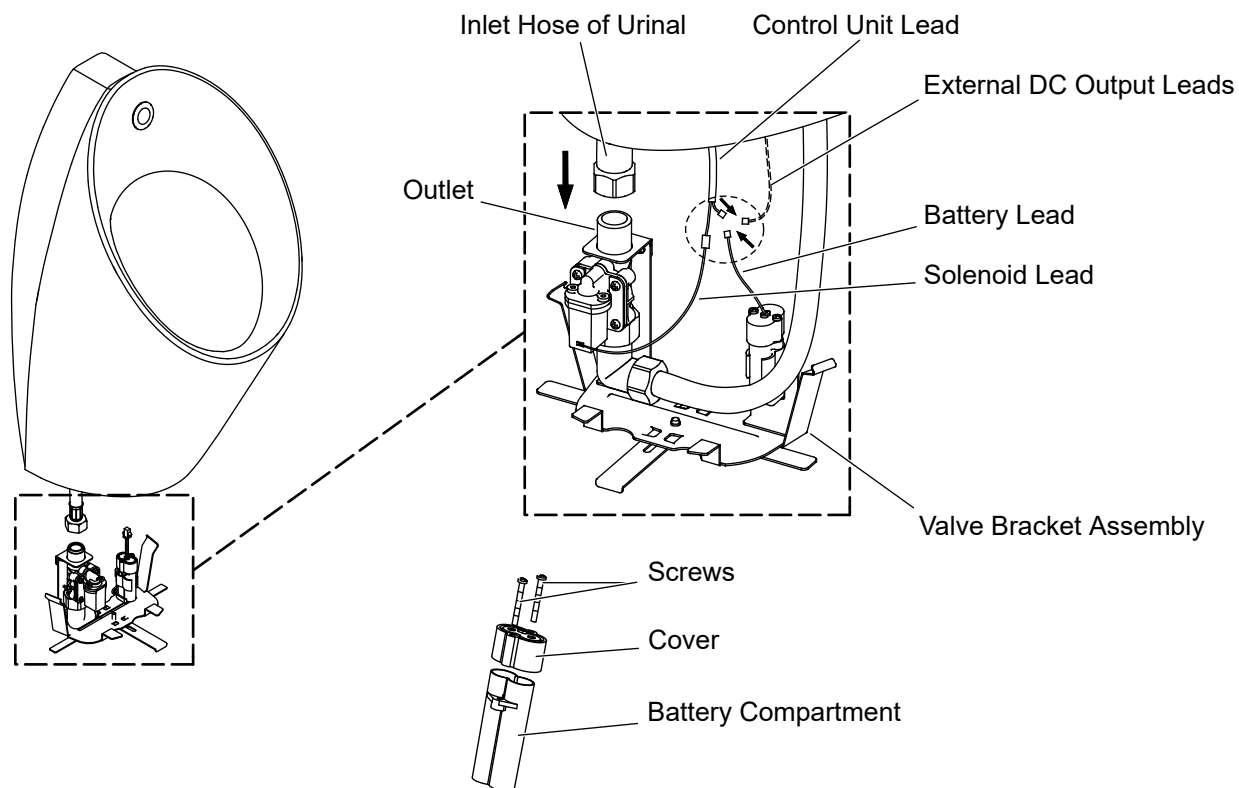
- Attach the hose to the urinal. Tighten the hose 1/2-turn past hand-tight.
- Support the urinal on a stand.
- Connect the hose to the G1/2 water supply inlet. Tighten the hose 1/2-turn past hand-tight.
- Hang the urinal on the wall hanger. **Do not pinch or kink the hose.**
- Verify that the urinal aligns with the trapway.
- Apply silicone lubricating grease to the trapway gasket.
- Install the strainer.

6. Install the Inlet Hose



- Insert the limiting board into the valve bracket assembly and tighten the screw. Do not move the limiting board beyond the valve bracket assembly.
- Connect the inlet hose of valve bracket assembly to the G1/2 water supply inlet. Tighten the inlet hose 1/2-turn past hand-tight.

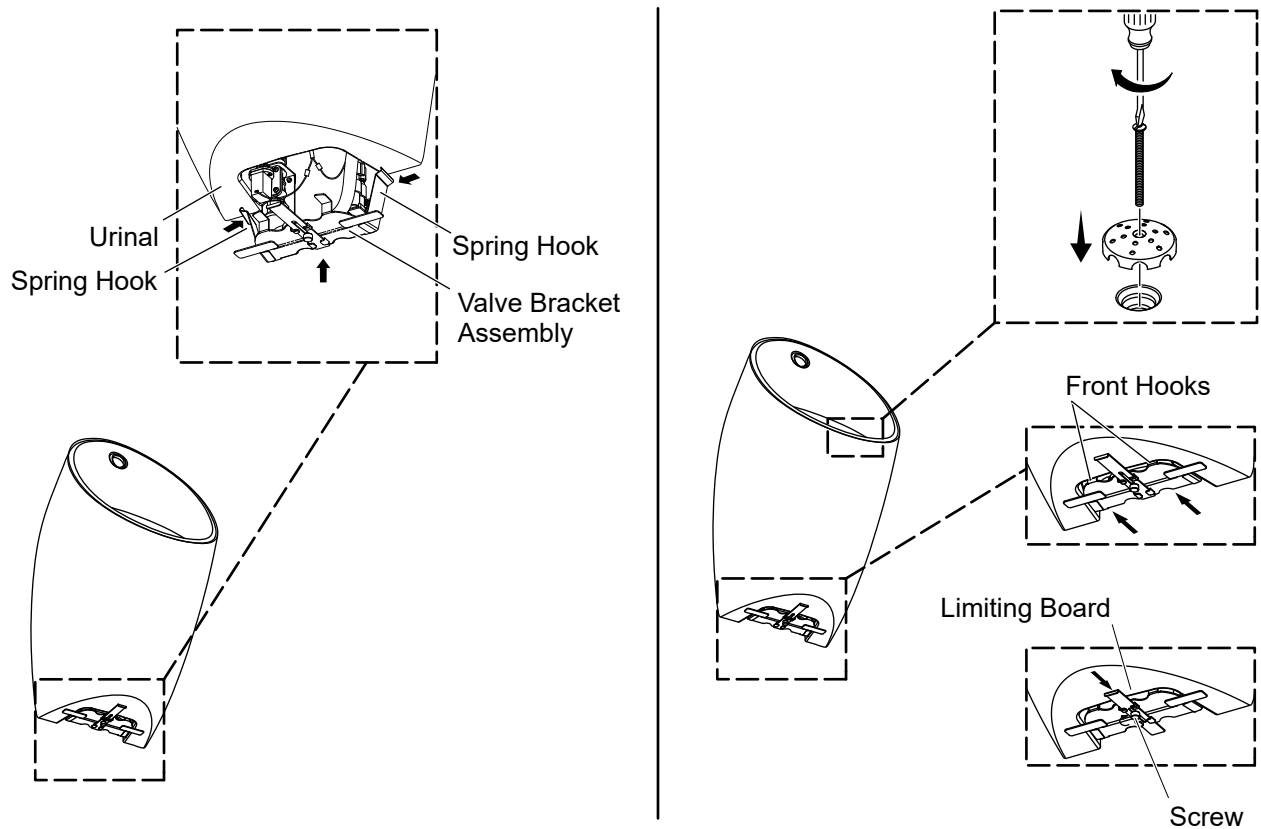
7. Install the Batteries



NOTE: Verify that the batteries polarity is correct. Do not mix old and new batteries.

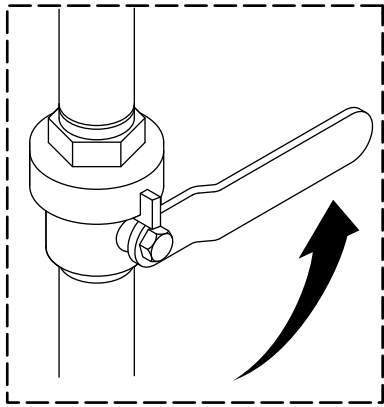
- Remove the battery box from the valve bracket assembly.
- Remove the two screws from the cover of the battery compartment. Set the two screws and cover aside.
- Install two AAA batteries (not provided) into the battery compartment.
- Reinstall the cover to the battery compartment.
- Place the battery box on the valve bracket assembly.
- Plug the solenoid lead, and battery lead, or external DC output leads (if available) into the control unit lead. Wait 10 minutes before proceeding.
- Connect the outlet of the valve bracket assembly to the inlet hose of urinal.

8. Install the Valve Bracket Assembly



- Press the two spring hooks inwards toward the center of the valve bracket assembly.
- Install the valve bracket assembly against the wall until the spring hooks are securely engaged with the urinal.
- Gently move the valve bracket assembly away from the wall until the front hooks of the valve bracket assembly are engaged with the urinal.
- Loosen the screw and move the limiting board to the wall and then tighten the screw.
- Install the strainer.

9. Complete the Installation



NOTE: If water splashes or overflows when the urinal is flushed, adjust the water pressure lower using the control stop.

- Pour water down the trapway and check for leaks.
- Install the flushometer following the manufacturer's instructions.
- Adjust the flush flow rate as desired following the manufacturer's instructions.
- Turn ON the water supply. Check for leaks.
- Stand in front of the urinal for at least 10 seconds.
- Step aside from the urinal. The valve will flush after a slight delay.
- Check the entire installation for leaks. Repair as needed.

kohler.co.in

THE BOLD LOOK
OF **KOHLER**®

©2024 Kohler Co.



1601200-IN2

1601200-IN2-A