

# Maintenance Guide

## Urinal

Record your model number: \_\_\_\_\_

**KOHLER®**

# Thank You for Choosing KOHLER

---

Need help? Contact our Customer Care Center.

- Email: [indiacustomercare@kohler.com](mailto:indiacustomercare@kohler.com)
- Call: 1800-103-2244

## Warranty


---


This product is covered under the KOHLER® India Faucet, Sanitaryware and Bathing Products Limited Warranty, found at [kohler.co.in/warranty](http://kohler.co.in/warranty).

## IMPORTANT INFORMATION

---

### READ ALL INSTRUCTIONS BEFORE USING

 **WARNING: Risk of product damage.** Products containing chlorine (Calcium hypochlorite) can seriously damage fittings in the urinal. This damage can cause leakage and property damage.

 **WARNING: Never use white cement or high lime cement to install this urinal.** The expansion of cement due to a temperature rise may cause the urinal to crack or damage.

Use this product only for its intended use as described in this manual.

Follow the ceramic cleaner manufacturer's instructions carefully.

In hard water areas, verify that the opening in the "slip nut assembly" should be cleaned and unclogged to achieve proper flushing.

Do not use abrasives cleaners or solvents.

Do not allow sunlight or other light sources to enter or be reflected into the sensor window.

Do not hang any reflective items or install a light/electronic sensor on the wall opposite the sensor window.

Verify that there are no strong electromagnetic fields near the sensor window.

Keep the sensor window clean. The sensor cover can be cleaned with a soft rag and neutral liquid detergent.

Do not use eradicant, abrasive powder or oil, acid or alkali liquid detergent.

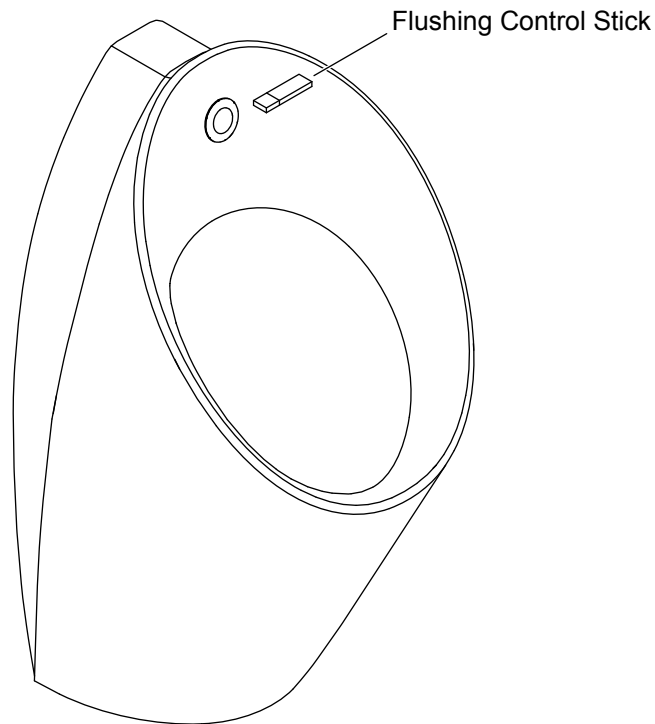
Do not spray air freshener, disinfectant, or other kinds of odor removing, or cleaning organic liquid on the sensor directly.

The urinal is designed for use with potable water. Avoid water that contains a lot of contaminants or acid/alkali ingredient.

All installation staff should be well familiar with installation instructions.

## Operation Settings

---



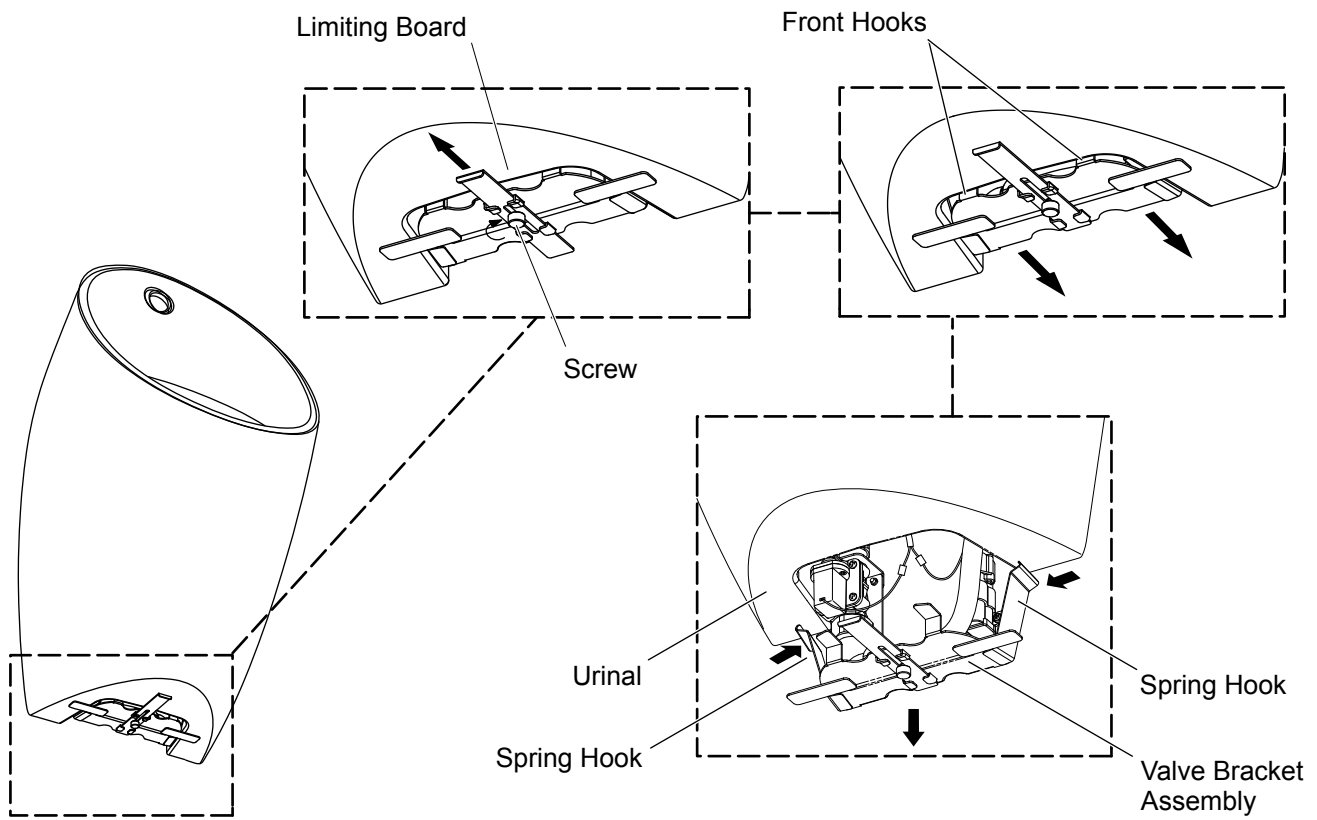
### Flushing Options

- Dual Flush** - The default flushing type is set as dual flush.
- Single Flush** - Allows the urinal to be flushed once. To activate a single flush, place the supplied manual flush stick near the sensor for more than 1 second during the 10 minutes setup time. The sensor would generate a flushing cycle to indicate the setup of the sensor has been adjusted to only a single flush. The sensor confirmation time is set to 2 seconds to avoid false flushing. The sensor automatically adjusts between 2 - 5 seconds. If the user wants to restore the dual flush, turn off the power and reconnect the power supply, wait until the indicator stops flashing, and repeat the above procedure.
- Manual Flush** - To activate the manual flush, place the supplied manual flush stick near to the sensor once. The sensor would generate a flushing cycle to indicate the setup of the sensor has been adjusted to manual flush. Place the supplied manual flush stick near to the sensor again to flush the urinal once. The system returns to the normal working state after 8 minutes. In case the user needs to exit manual flushing mode in less than 8 minutes, place the manual flush stick near the sensor for 30 seconds. The system will return to normal working state.

### Cleaning

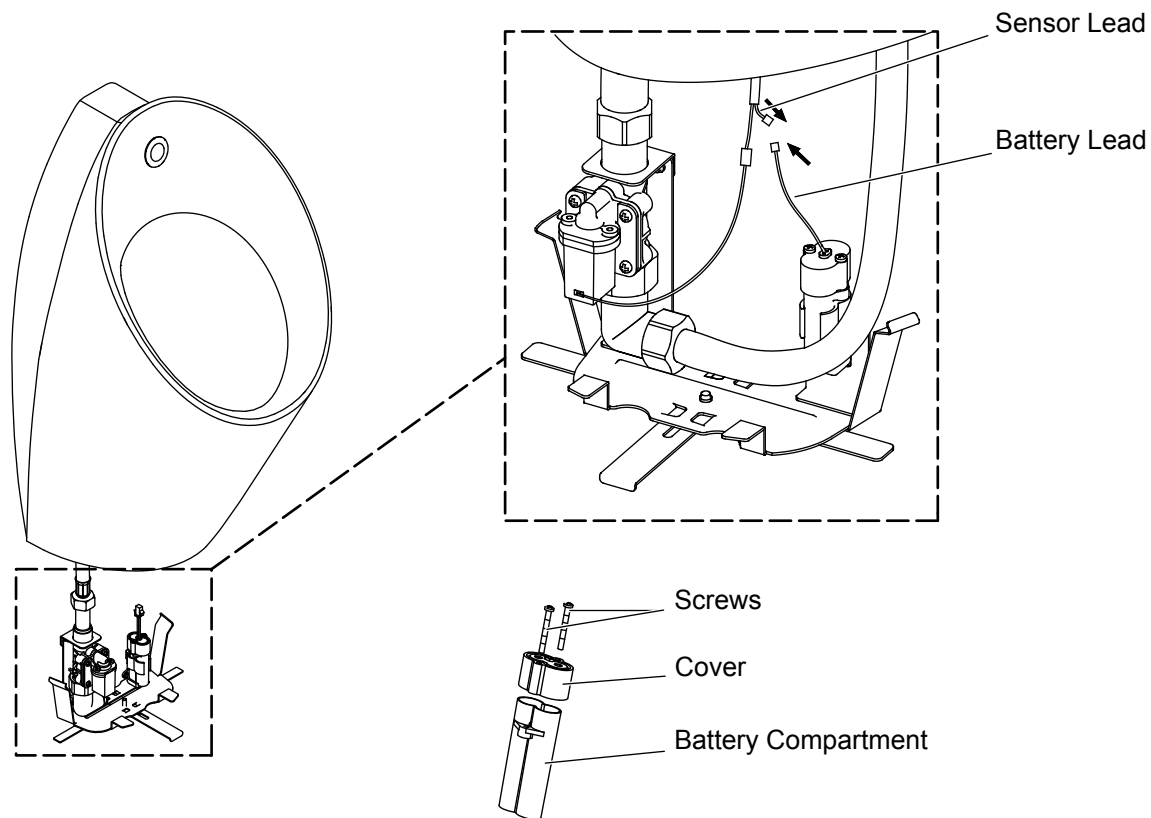
- Deodorizing Flushing** - The urinal will flush automatically when the urinal is used 3 - 4 times in 2 minutes.

## Remove the Valve Bracket Assembly



- Turn OFF the water supply.
- Loosen the screw and move the limiting board away from the wall.
- Gently move the valve bracket assembly towards the wall until the front hooks of the valve bracket assembly are disengaged from the urinal.
- Press the two spring hooks inward toward the center of the valve bracket assembly.
- Move the valve bracket assembly toward the wall until the spring hooks are disengaged from the urinal.

## Replace the Batteries



### Battery Indicator Activity

Flash Rate	Effect
No Flash	The batteries are fully operational.
Single Flash	A user is present. The batteries are fully operational.
Repeated Flash	The batteries will need to be replaced.
Flash Every 2 Seconds	The sensor has deactivated. The batteries will need to be replaced.

### Replace the Batteries

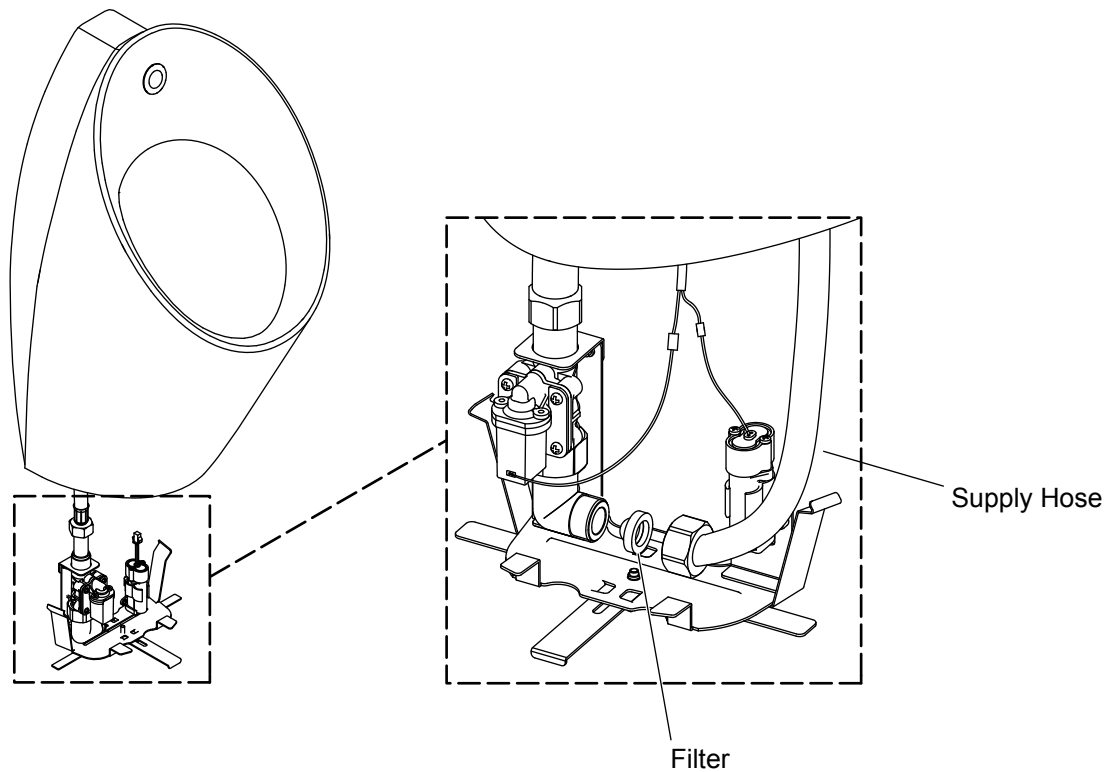
**NOTE:** The urinal will not need reprogramming after the batteries have been replaced.

- Disconnect the battery leads from the sensor leads.
- Remove the battery compartment from the valve bracket assembly.
- Remove the two screws from the cover of the battery compartment. Set the two screws and cover aside.
- Note the negative and positive position of the batteries in the battery compartment.
- Remove the existing batteries.
- Replace the batteries with four alkaline AAA batteries.
- Reinstall the cover to the battery compartment.

- Place the battery box on the valve bracket assembly.
- Connect the battery leads to the sensor leads.
- Install the valve bracket assembly into the urinal in reverse order.

## Clean the Filter

---



**NOTICE:** If the volume of flushing water is reduced, clean the filter.

**NOTICE:** The stop valve must be turned off before proceeding.

- Turn OFF the water supply.
- Unthread the supply hose and remove the filter.
- Clean the filter under running water.
- Reinstall the filter.
- Retighten the supply hose.
- Install the valve bracket assembly into the urinal in reverse order.
- Turn ON the water supply.
- If the volume of flushing water is still reduced:** Flush the water supply line to remove debris and then verify the volume of flushing water again.

## Troubleshooting

Symptoms	Probable Cause	Recommended Action
1. The urinal is not flushing. The indicator light is not flashing.	<p><b>A.</b> The electrical wires are not connected correctly.</p> <p><b>B.</b> There is an object within range of the sensor.</p> <p><b>C.</b> The sensor is dirty.</p>	<p><b>A.</b> Check the electrical connections.</p> <p><b>B.</b> Remove the object from the range of the sensor.</p> <p><b>C.</b> Clean the sensor.</p>
2. The urinal is not flushing or not flushing at full volume. The indicator lamp is flashing.	<p><b>A.</b> Still in the waiting status.</p> <p><b>B.</b> Low water pressure.</p> <p><b>C.</b> The filter is obstructed.</p> <p><b>D.</b> The connector is not connected well.</p>	<p><b>A.</b> Wait 10 minutes for the waiting status to end.</p> <p><b>B.</b> Improve the water supply.</p> <p><b>C.</b> Clean the filter. Refer to the "Clean the Filter" section.</p> <p><b>D.</b> Check the power connections.</p>
3. The urinal is continuously flushing. The indicator lamp is not flashing.	<p><b>A.</b> The small hole of the valve core is blocked.</p> <p><b>B.</b> The filter is blocked.</p>	<p><b>A.</b> Clean the small hole in the valve core.</p> <p><b>B.</b> Clean the filter. Refer to the "Clean the Filter" section.</p>
4. The battery indicator light is continuously flashing. The urinal is not flushing.	<p><b>A.</b> No power.</p>	<p><b>A.</b> Replace the batteries. Refer to the "Replace the Batteries" section.</p>









[kohler.co.in](http://kohler.co.in)

THE BOLD LOOK  
OF **KOHLER**®

©2024 Kohler Co.



1601200-IN5

1601200-IN5-A