

Installation Instructions

Steam Generator (13 kW - 15 kW)

Record your model number:
Noter le numéro de modèle:
Anoté su número de modelo: _____

Français, page 21
Español, página 44

KOHLER®

Thank You for Choosing KOHLER

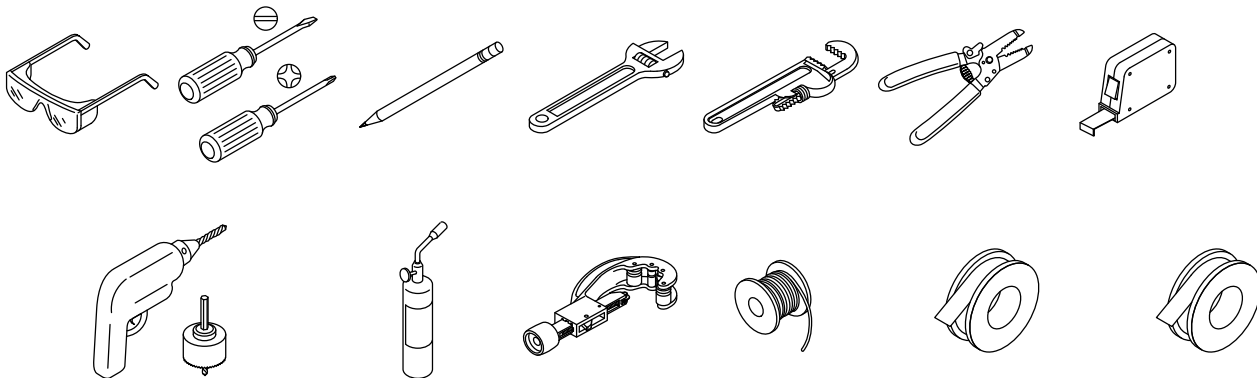
Need help? Contact our Customer Care Center.

- USA/Canada: 1-800-4KOHLER (1-800-456-4537) Mexico: 001-800-456-4537
Hours of Operation: Monday-Friday 8:00 AM -5:00 PM (CT)
Languages Spoken: English, Spanish, and translation services are available.
- Service parts: kohler.com/serviceparts
- Care and cleaning: kohler.com/clean
- Patents: kohlercompany.com/patents

Warranty

This product is covered under the KOHLER® Steam Generator Three-Year Limited Warranty, found at kohler.com/warranty. For a hardcopy of warranty terms, contact the Customer Care Center.

Required Tools and Materials



1-1/4" and 2-1/2" Hole Saw Propane Torch Tube Cutter Solder Thread Sealant Tape Electrical Tape











Additional Required Tools and Materials:

- Drain or spill pan
- 1/2" copper tubing
- Assorted copper fittings
- Conventional woodworking tools and materials
- 45° and 90° elbows
- Support Blocks (heat resistant)

IMPORTANT SAFETY INSTRUCTIONS

READ AND FOLLOW ALL INSTRUCTIONS.

When installing and using this electrical equipment, basic safety precautions should always be followed, including the following:

-  **WARNING: Risk of explosion.** For dual steam generator installations, do not interconnect steam outlets. A separate steam line must be provided for each steam outlet.
-  **WARNING: Risk of electrocution.** Disconnect all power before performing these installation steps.
-  **WARNING: Risk of personal injury.**
 - **The wet surfaces of steam enclosures may be slippery.** Use care when entering or leaving.
 - **The steam head is hot.** Do not touch the steam head and avoid the steam near the steam head.
 - **Prolonged use of the steam system can excessively raise the internal human body temperature and impair the body's ability to regulate its internal temperature (hyperthermia).** Limit your use of steam to 10 - 15 minutes until you are certain of your body's reaction.
 - **Excessive temperatures have a high potential for causing fetal damage during the early months of pregnancy.** Pregnant or possibly pregnant women should consult a physician regarding the correct exposure.
 - **Obese persons and persons with a history of heart disease, low or high blood pressure, circulatory system problems, or diabetes should consult a physician before using a steambath.**
 - **Persons using medication should consult a physician before using a steambath since some medications may induce drowsiness while other medications may affect heart rate, blood pressure, and circulation.**
-  **WARNING: The use of alcohol, drugs, or medication can greatly increase the risk of fatal hyperthermia.** Prolonged immersion in hot water may induce hyperthermia. Hyperthermia occurs when the internal temperature of the body reaches a level several degrees above the normal body temperature of 98.6°F (37°C). The symptoms of hyperthermia include an increase in the internal temperature of the body, dizziness, lethargy, drowsiness, and fainting. The effects of hyperthermia include: (a) failure to perceive heat, (b) failure to recognize the need to exit the bath, (c) unawareness of impending hazard, (d) fetal damage in pregnant women, (e) physical inability to exit the bath, and (f) unconsciousness resulting in the danger of drowning.
-  **WARNING: Risk of personal injury.** If you become uncomfortable while taking a steambath, you should turn OFF the unit. Cool off with the shower, open the door, or exit the unit.
-  **WARNING: Risk of allergic reaction.** Before adding any oils, aromatic therapies, or skin care products to the aromatherapy well, verify that they will not cause an allergic reaction to the user.
-  **CAUTION: Risk of injury.** To reduce the risk of injury, do not permit children to use this product unless they are closely supervised at all times.
-  **CAUTION: Risk of personal injury.** Do not plumb a trapway in the steam line or plumb the pressure relief valve into the steam line. Plumbing the pressure relief valve into the steam line can be hazardous if the steam outlet is capped.
-  **CAUTION: Risk of personal injury or property damage.** Avoid coming in contact with the water tank and/or steam discharge line while the steam generator is operating or shortly after shutdown. Wear eye protection and protective clothing when servicing the steam generator. The steam generator operates at high temperatures.
-  **CAUTION: Do not use for space heating purposes.**

IMPORTANT! Recommended feedwater quality should be: Hardness - less than 60 ppm (3.5 gpg); Total Alkalinity - greater than 150 ppm (8.8 gpg). Calcium scale buildup from hard water can prevent proper operation of the steam generator and may cause premature failure. To verify proper operation, the feedwater supply should be tested before

operating the steam generator. If feedwater quality is not within the specified limit, contact a reputable water treatment company for treatment options.

IMPORTANT! Maximum inlet water pressure is not to exceed 70 psi (483 kPa).

NOTICE: Use this unit only for its intended use as specified in this manual. DO NOT use attachments that are not recommended by Kohler Co.

NOTE: Do not alter or modify this product. Modifications may result in inoperation or a hazardous installation.

NOTICE: Do not apply excessive heat to the steam generator connections when you solder connections. Do not apply flux or acids directly to the steam generator, as damage to the seals, plastic components, and trim finish may result. Do not apply petroleum-based lubricants to the steam generator components, as damage may result.

Before You Begin

IMPORTANT! The minimum required size for the service access panel is 24" (610 mm) L x 15" (381 mm) H.

IMPORTANT! All electrical work should be done by a qualified electrician.

IMPORTANT! Install the steam generator in a well ventilated and temperature-controlled location.

IMPORTANT! The steam generator is compatible with installations that require a water-hammer arrestor or pressure-reducing valve to achieve optimal performance.

NOTE: To verify proper steam head installation, refer to the steam head Installation Instructions prior to installing the steam generator.

NOTE: To verify proper control installation, refer to the control Installation Instructions prior to installing the steam generator.

NOTE: The instructions in this installation guide cover both single and dual steam generator installations.

Inspect the product for any shipping damage. Do not install the unit if there is damage. Contact Kohler Co. Customer Care Center using the information on the back of this guide.

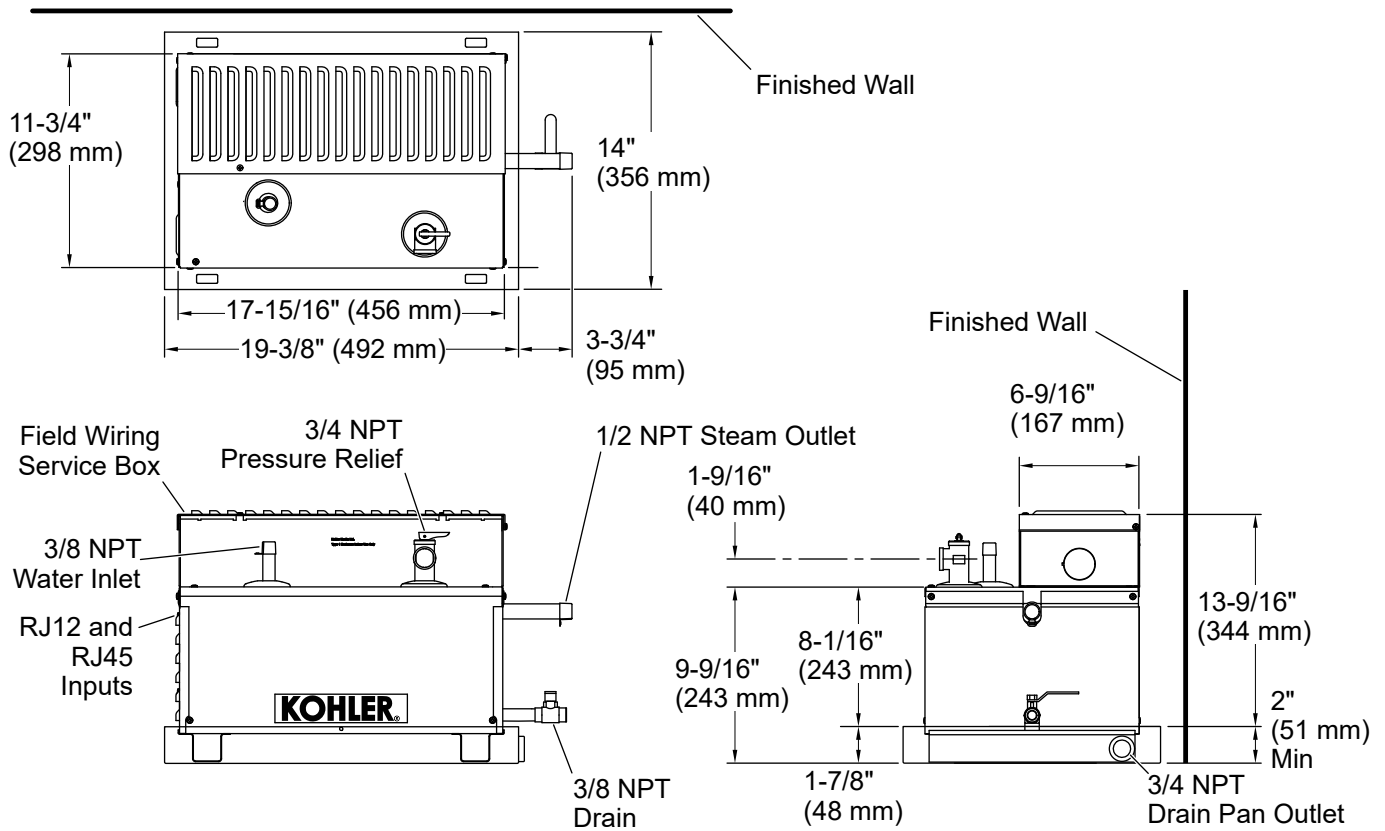
Connect the steam generator to water supply lines that meet all applicable plumbing codes.

Follow all local plumbing, building, and electrical codes.

READ AND FOLLOW ALL INSTRUCTIONS

SAVE THESE INSTRUCTIONS

Roughing-In



⚠ WARNING: Risk of property damage. There must be a minimum of 6" (152 mm) of air space surrounding the steam generator on at least three sides. This provides an area for the heat generated by the unit to dissipate.

IMPORTANT! The minimum required size for the service access panel is 24" (610 mm) L x 15" (381 mm) H.

IMPORTANT! Connect only copper piping to the 1/2 NPT Steam Outlet. No other material is acceptable.

NOTICE: For optimum performance, install the steam generator as close as possible to the steam head. The steam generator must be installed within 25' (7.62 m) of the steam head.

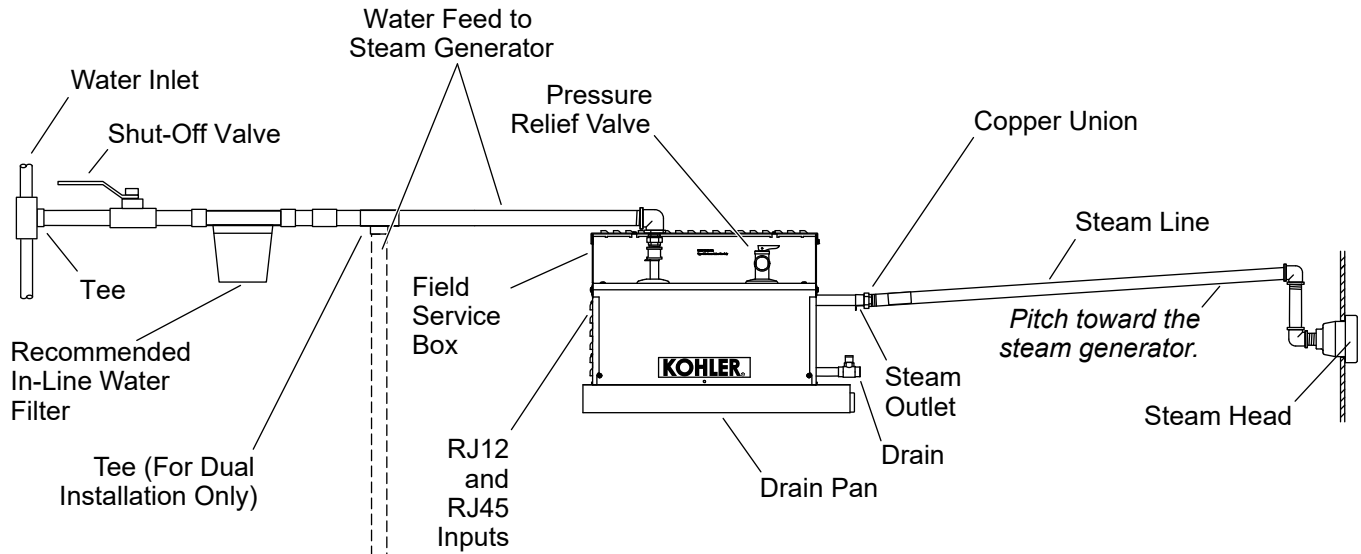
NOTE: Use the dimensions in the diagram above for reference when determining the placement and clearance for the steam generator.

NOTE: Unions are supplied for the steam outlet and water inlet for connection to a 1/2" copper pipe.

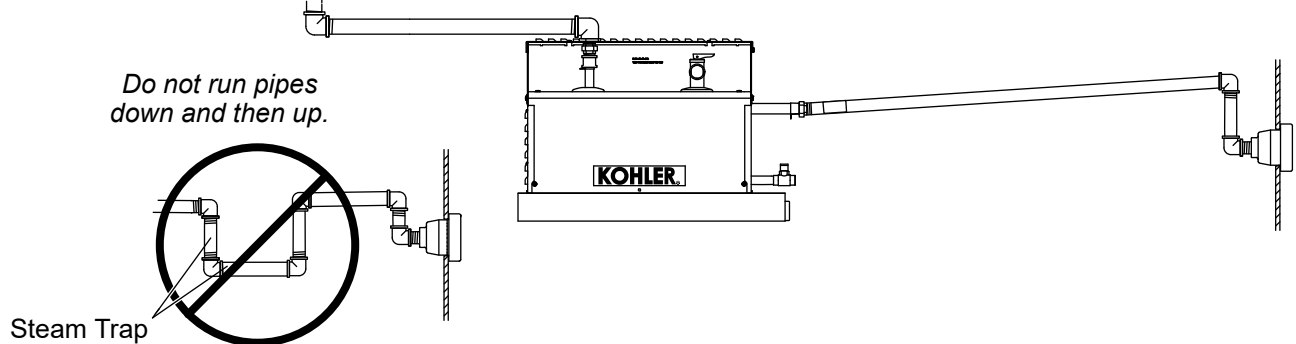
Allow for a drain or spill pan. KOHLER® drain pan shown (sold separately).

1. Determine the System Layout

Single Installation



Dual Installation



WARNING: Risk of property damage. There must be a minimum of 6" (152 mm) of air space surrounding the steam generator on at least three sides. This provides an area for the heat generated by the unit to dissipate.

WARNING: Risk of explosion. For dual steam generator installations, do not interconnect steam outlets. A separate steam line must be provided for each steam outlet.

IMPORTANT! The minimum required size for the service access panel is 24" (610 mm) L x 15" (381 mm) H.

IMPORTANT! This steam generator must only be installed in the upright position as shown. The pressure relief valve location must be on top.

IMPORTANT! Install the steam generator in a well ventilated and temperature-controlled location.

IMPORTANT! Do not install the steam generator outdoors, inside the steam room, or in areas where flammable materials may be stored.

IMPORTANT! If this steam generator will be installed in a location that is 6000' (1829 m) above sea level, the fast response heater must be disabled. Refer to "Enabling/Disabling the Fast Response Heater" section.

NOTICE: For optimum performance, install the steam generator as close as possible to the steam head. The steam generator must be installed within 25' (7.62 m) of the steam head.

NOTICE: Large drops in the steam line can increase condensation and reduce the amount of steam produced. For optimum performance, do not install the steam generator above the level of the steam head.

NOTICE: The PowerClean function of the generator flushes through the steam head. An additional drain line is not required for this feature. The drain valve on the unit is to aid in emptying the unit before service. Plumbing is optional.

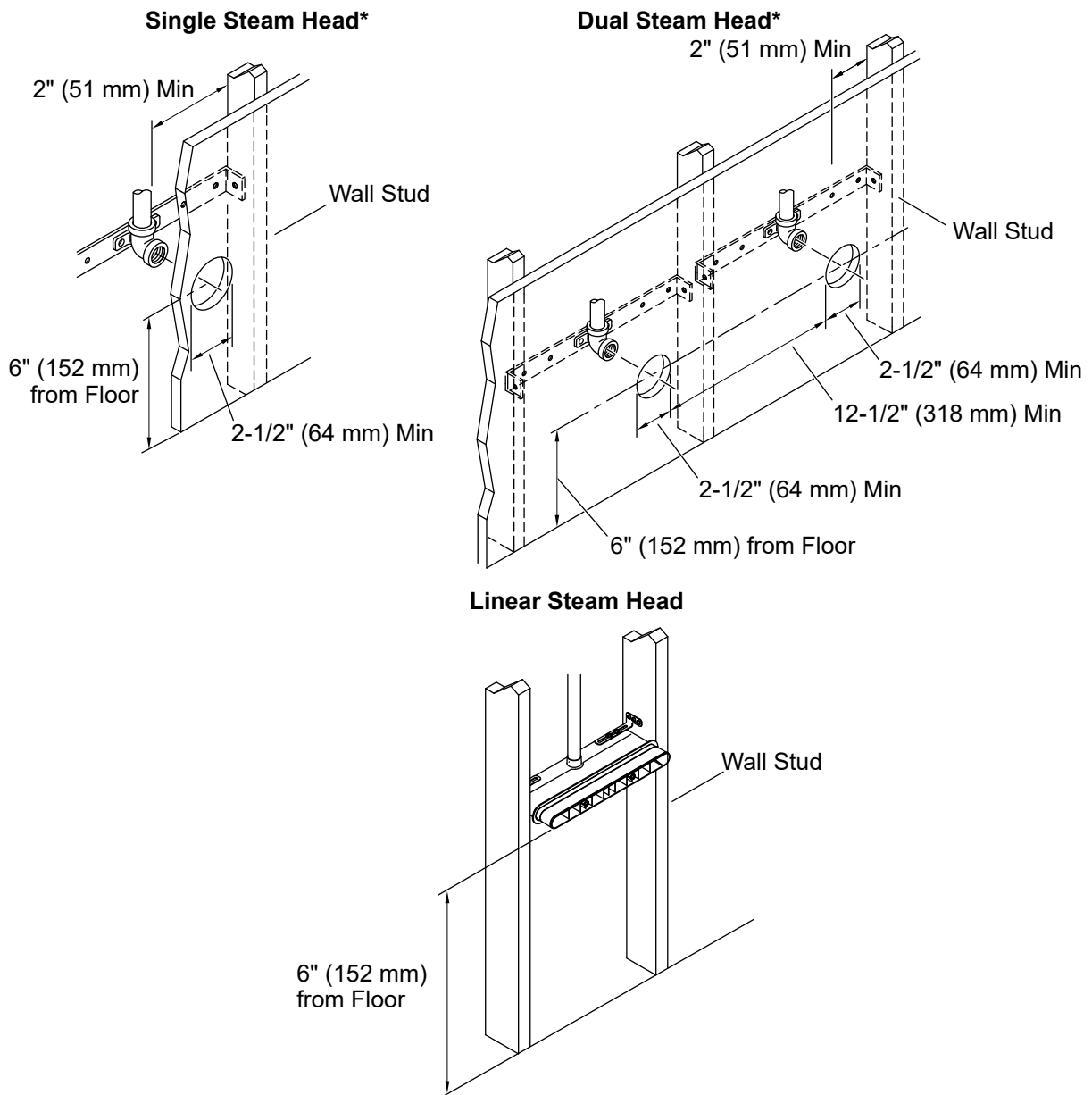
NOTE: For optimum performance, use 45° elbows in the steam line when possible. The use of 90° elbows may result in an increase of condensation in the steam line.

- Determine the location of the steam generator.
- Allow for a drain pan. Choose a drain pan appropriate for your installation (KOHLER drain pan is sold separately).
- Determine the location of the water supplies and steam lines. Verify the clearance between the steam line and any surrounding surfaces.
- Install this steam generator in a heated space to prevent freezing.
- Verify that the steam generator is installed level.
- Allow for access to the steam generator after installation.
- Select the steam generator size based upon the steam room volumes identified below.

NOTE: Recommended ceiling height: 8' (2.4 m). Maximum ceiling height: 10' (3.0). For every additional foot of ceiling height above 8' (2.4 m), choose the next largest steam generator.

Steam Generator	Maximum Steam Room Volume - ft ³ (m ³)
5 kW	84 ft ³ (2.4 m ³)
7 kW	112 ft ³ (3.2 m ³)
9 kW	240 ft ³ (6.8 m ³)
11 kW	317 ft ³ (9.0 m ³)
13 kW	447 ft ³ (12.7 m ³)
15 kW	500 ft ³ (14.2 m ³)
18 kW (Two 9 kW Steam Generators)	550 ft ³ (15.6 m ³)
22 kW (Two 11 kW Steam Generators)	634 ft ³ (18.0 m ³)
26 kW (Two 13 kW Steam Generators)	894 ft ³ (25.3 m ³)
30 kW (Two 15 kW Steam Generators)	1000 ft ³ (28.3 m ³)

2. Determine the Location of the Steam Heads



*Applies to square and round steam heads.

⚠ WARNING: Risk of personal injury. Do not install the steam control user interface outside the steam enclosure. The user interface must be installed within the enclosure to allow the sensors to regulate the temperature and control the flow of steam.

⚠ WARNING: Risk of scalding. Do not block the steam head or locate the steam head near a seat or bench, as the steam head is hot during operation and may scald the user.

IMPORTANT! Do not install the control directly above or in-line with the steam head.

NOTICE: When installing the control kit, allow room in the control cable for a drip loop. The drip loop will discourage moisture from following the control cable to the steam generator.


NOTE: All dimensions should be taken from the inside of the shower. Refer to the steam head and control Installation Instructions for more dimensional and installation information.

- Dual steam heads can be installed on opposite walls to improve steam distribution.
- Determine the steam head location. Locate the steam head(s) 6" (152 mm) above the shower floor. The steam head location should be within 25' (7.62 m) of the steam generator.
- Determine the steam head location. Refer to the steam head Installation Instructions.
- For single steam head installations, determine the steam control user interface location on the wall opposite the steam head.
- For dual steam head installations, determine the steam control user interface location on a different wall than the steam heads. Locate the user interface as far from the steam heads as practical.
- Locate the steam control user interface 60" (1524 mm) above the floor of the shower.
- Verify that there is adequate clearance between the steam lines and any surrounding surfaces.

3. Install the Electrical Supply

Model	K-32328-NA	K-32329-NA	K-32334-NA	K-32335-NA
Generator Size	13 kW	15 kW	26 kW (Two 13 kW Steam Generators)	30 kW (Two 15 kW Steam Generators)
Required Electrical Service				
Generator Dedicated Circuit #1	240 V, 80 A, 50/60 Hz	240 V, 90 A, 50/60 Hz	240 V 80 A, 50/60 Hz	240 V, 90 A, 50/60 Hz
Generator Dedicated Circuit #2	n/a	n/a	240 V 80A,50/60 Hz	240 V, 90 A, 50/60 Hz
Product Electrical Rating	240 V, 59 A 60 Hz	240 V, 68 A, 60 Hz	*240 V, 59 A, 60 Hz	*240 V, 68 A, 60 Hz

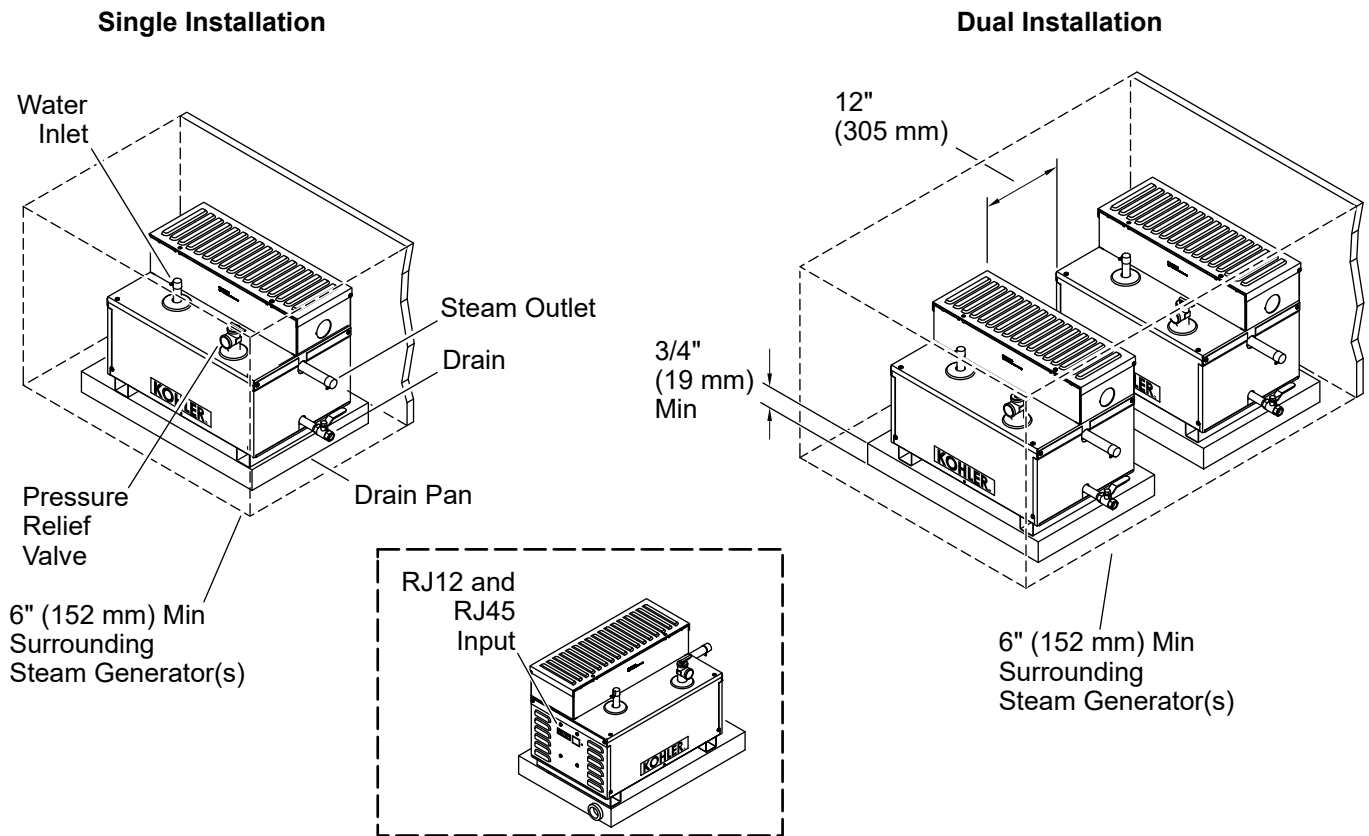
*For dual installations only: Each steam generator requires a dedicated circuit rated at 240 V, 60 A, 60 Hz.

 **WARNING: Risk of electrocution.** Disconnect all power before performing these installation steps.

NOTICE: Each steam generator requires a dedicated circuit. Dual steam generator installations require a second dedicated circuit.

- Follow all local plumbing, building, and electrical codes. All electrical work should be done by a qualified electrician.
- In the chart above, find the electrical supply requirements for your steam generator.
- Install the appropriate electrical supply (install 2 dedicated supplies for dual steam generator installations).

4. Install the Steam Generator



⚠ WARNING: Risk of property damage. There must be a minimum of 6" (152 mm) of air space surrounding the steam generator on at least three sides. This provides an area for the heat generated by the unit to dissipate.

IMPORTANT! Install the steam generator in a well ventilated and temperature-controlled location.

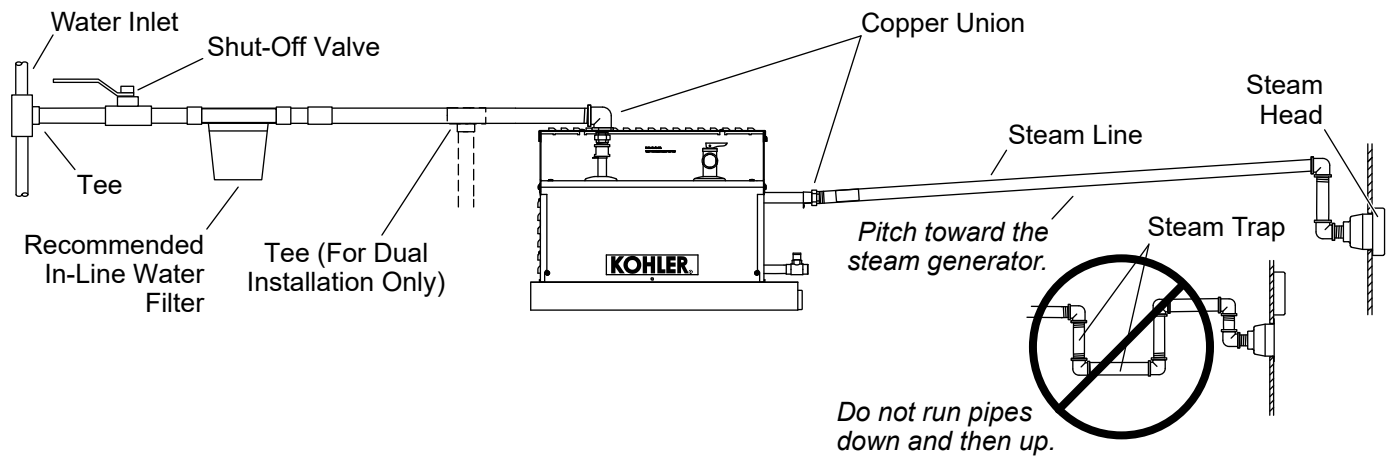
NOTICE: For optimum performance, install the steam generator as close as possible to the steam head. The steam generator must be installed within 25' (7.62 m) of the steam head.

Install the desired drain pan at the steam generator location. Kohler Co. recommends using a KOHLER drain pan.

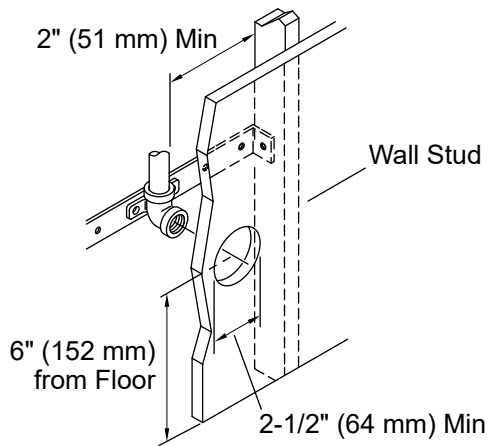
IMPORTANT! If a KOHLER drain pan is NOT being used, construct the support blocks using heat-resistant material.

Position the steam generator on the support blocks.

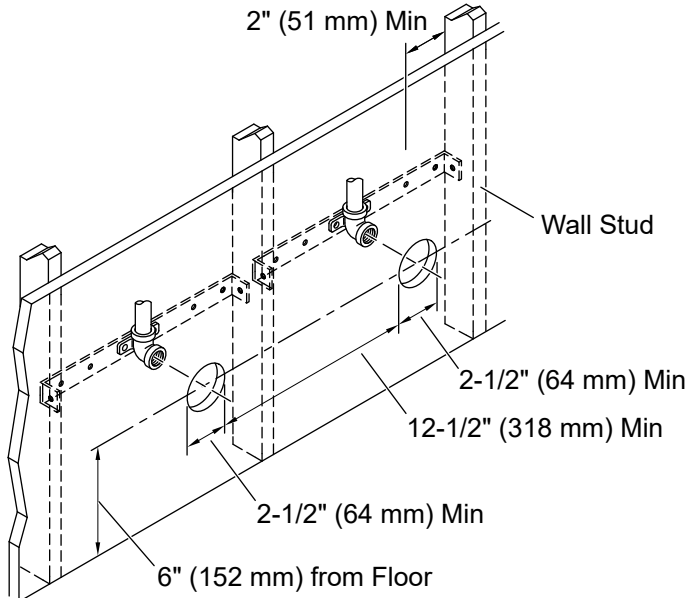
5. Install the Waterline and Steam Line



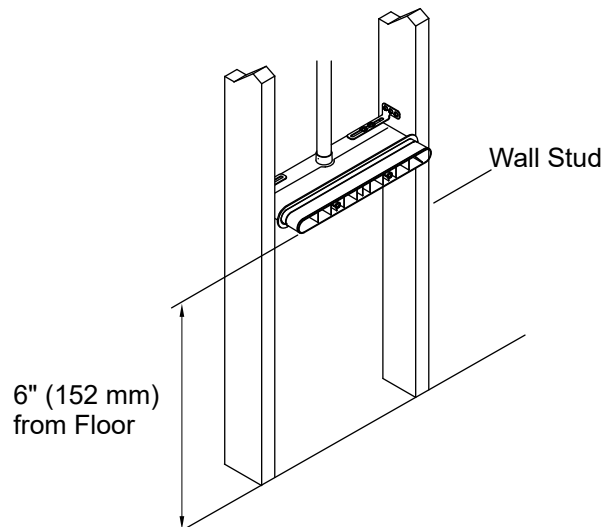
Single Steam Head*







Dual Steam Head*



Linear Steam Head



*Applies to square and round steam heads.

-  **WARNING: Risk of personal injury or property damage.** Do not plumb the pressure relief valve into the steam line. Plumbing the pressure relief valve into the steam line can create a hazard if the steam line is blocked or obstructed.
-  **WARNING: Risk of scalding.** Do not plumb a trapway, shut-off valve, or pressure relief valve into the steam line. Plumbing the pressure relief valve into the steam line can be hazardous if the steam outlet is capped.
-  **WARNING: Risk of scalding.** Do not connect the drain valve outlet to the steam line. Verify that there are no valleys or dips in the steam line.
-  **WARNING: Risk of personal injury or property damage.** Do not direct the pressure relief valve to the enclosure. In the event the pressure relief valve activates, the hot water may spray causing burns to the user and/or damage to the enclosure. Therefore, the pressure relief valve should be directed to an area where damage will not occur from contact with hot water and should conform to national and local plumbing codes.

Model Product Information

Model	K-32328-NA	K-32329-NA	K-32334-NA	K-32335-NA
Weight	53 lb (24 kg)	53 lb (24 kg)	106 lb (48.1 kg)	106 lb (48.1 kg)
Water Supply	1/2" copper line	1/2" copper line	1/2" copper line	1/2" copper line
Steam Line	1/2" copper line	1/2" copper line	1/2" copper line	1/2" copper line
Pressure Relief Valve (supplied)	3/4 NPT female thread	3/4 NPT female thread	3/4 NPT female thread	3/4 NPT female thread
Drain Line Valve	3/8 NPT	3/8 NPT	3/8 NPT	3/8 NPT


Install the Waterline to the Generator

IMPORTANT! The steam generator is compatible with installations that require a water-hammer arrestor or pressure-reducing valve to achieve optimal performance.

NOTE: For all NPT threaded connections, use pipe tape or pipe sealant. Do not overtighten the fittings.

- Connect to an existing cold waterline, and run a 1/2" cold waterline to a shut-off valve before the in-line water filter.
- Before final connection to the steam generator, flush out the water supply line into a large pail. This removes any debris, silt, sand, or other material that may be in the line. Verify that the filter screen is in place in the water inlet tube.
- Install 1/2" copper tubing with a union fitting (supplied with the steam generator) located as close as possible to the steam generator.
- Connect the water supply line to the steam generator.
- Turn ON the water supply, and fill the steam generator with water. Check for leaks.
- Check that the water drain valve on the generator is closed.
- If the water supply line is exposed to cold areas, insulate the piping to prevent freezing.

Install the Steam Line

-  **WARNING: Risk of scalding.** Do not block the steam head or locate the steam head near a seat or bench, as the steam head is hot during operation and may scald the user.

NOTICE: Do not install the slope of the steam line down, then up. If the slope of the steam line is down and then up, the steam will be trapped and block the flow of steam. Install the steam line at an incline to the steam head, at a pitch of 3/8" (10 mm) - 1/2" (13 mm) per 12" (305 mm) of pipe.

NOTICE: Provide clearance between the back wall and the elbow leading into the steam housing. The elbow must not contact any wall material.

NOTICE: Provide clearance between the steam line and surrounding surfaces.

NOTICE: Do not apply excessive heat to the generator connections when you solder connections. Do not apply flux or acids directly to the steam generator, as damage to the seals, plastic components, and trim finish may result. Do not apply petroleum-based lubricants to the steam generator components, as damage may result.

NOTE: Use thread sealant tape or pipe sealant for threaded connections. Do not overtighten the fittings.

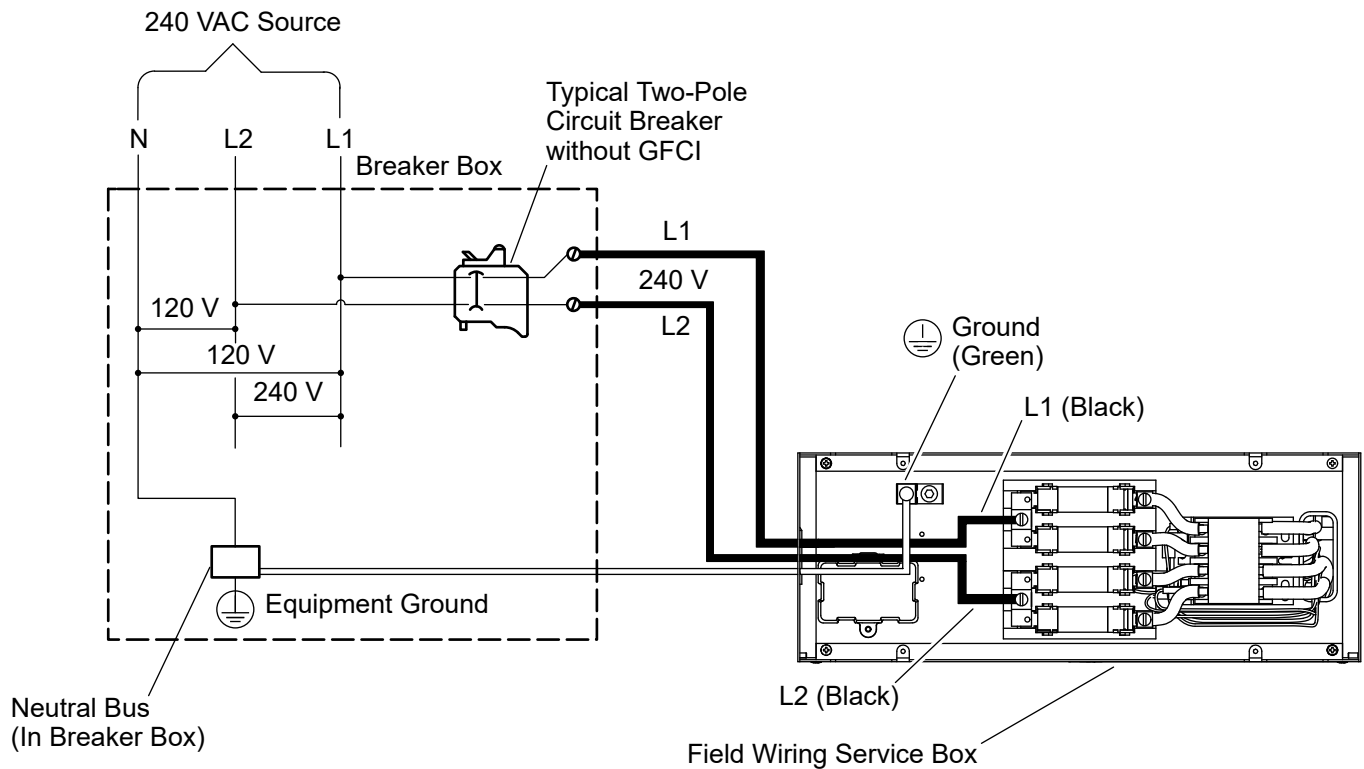
NOTE: Use a 1/2" copper tube for the steam line.

NOTE: For optimum performance, use 45° elbows in the steam line when possible. The use of 90° elbows may result in an increase of condensation in the steam line.

NOTE: Always install a union fitting (supplied) as close as possible to the steam generator.

- Add blocking behind the desired steam head location.
- Install and secure a 1/2 NPT elbow to the blocking directly behind the desired steam head location.
- Install a temporary 1/2" copper nipple that extends through the finished wall.

6. Connect the Electrical Supply



⚠ WARNING: Risk of electrocution. Disconnect all power before performing these installation steps.

IMPORTANT! DO NOT use wire nuts for electrical supply connections.

IMPORTANT! Verify that the water supply to the steam generator is turned ON before connecting the electrical supply.

NOTICE: All electrical work should be done by a qualified electrician.

NOTICE: All electrical wiring must be done in accordance with local codes.

NOTICE: Each steam generator requires a dedicated circuit. Dual steam generator installations require a second dedicated circuit.

NOTE: The field wiring and circuit breaker are not provided.

- Turn OFF all electricity to the working area at the main circuit breaker panel.
- Connect a 240 VAC electrical line to the wires labeled "L1," "L2," and the ground wire coming out of the field wiring service box.
- Confirm that the ground connection has been made in the field service box.
- Close the field service box.
- Turn ON the main power.
- The digital display should read "Ld" or "Hd." If the digital display is not lit, consult the "Troubleshooting" section or contact the Customer Care Center.

7. Complete the Installation

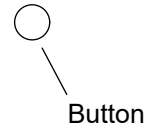
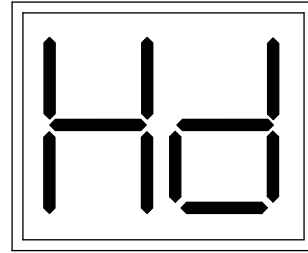
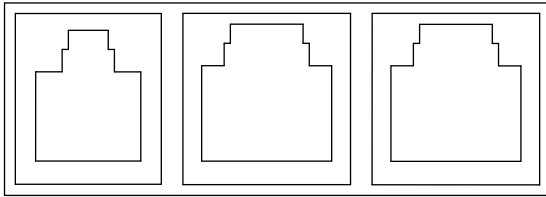


Warning Label

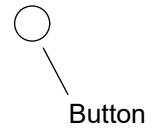
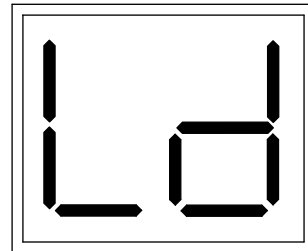
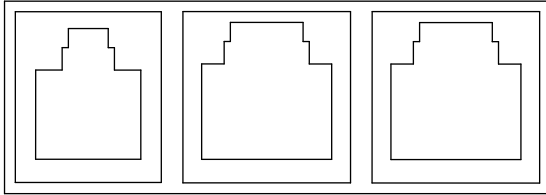
- Remove the adhesive backing from the warning label provided and apply the label to the wall of the shower or steam enclosure.
- Install the steam housing and steam head following the instructions packed with the steam head or steam control installation instructions.
- Remove the yellow tape from the control cable inputs.
- Install the steam control following the instructions packed with the steam control.
- To operate the steam control, follow the operating instructions provided with the steam control.

Enabling/Disabling the Fast Response Heater

Fast Response Heater Enabled




Fast Response Heater Disabled



IMPORTANT! If this steam generator will be installed in a location that is 6000' (1829 m) above sea level, the fast response heater must be disabled.

- Press the button next to the digital display to enable or disable the fast response heater.

Troubleshooting

 **CAUTION: Risk of personal injury.** Troubleshooting steps involving internal wiring or electrical connections should be performed by a qualified electrician.

NOTE: The troubleshooting steps below only apply to the steam generator itself. For issues involving the steam control, refer to the "Troubleshooting" section of the steam control instructions.

NOTE: For service parts information, visit your product page at kohler.com/serviceparts.

This troubleshooting guide is for general aid only. For service and installation issues and concerns, call 1-800-4KOHLER.

Error Codes

Error Code	Description
01	The water level is low, causing the temperature to rise.
02	The steam generator is below the expected temperature.
03	The steam generator is below the expected temperature.
04	The steam generator is above the expected temperature.
05	The steam generator is above the expected temperature.
08	Communication error.
10	Steam valve electrical failure.
20	Steam valve mechanical failure. See the "Error Code Troubleshooting" section below.
30	Power clean valve electrical failure.
40	Power clean valve mechanical failure. See the "Error Code Troubleshooting" section below.
50	Water level sensor failure.
60	Main heater relay failure.
70	Main heater failure.
80	Fast response heater failure.
90	The control panel button is stuck.

Error Code Troubleshooting

Error Code	Probable Cause	Recommended Action
20	<ul style="list-style-type: none"> A. The shut-off valve is closed B. The drain valve is open. C. Steam valve mechanical failure. 	<ul style="list-style-type: none"> A. Verify that the shut-off valve is open. B. Verify that the drain valve is closed. C. Contact the Customer Care Center.
40	<ul style="list-style-type: none"> A. The shut-off valve is closed B. The drain valve is open. C. Power clean valve mechanical failure. 	<ul style="list-style-type: none"> A. Verify that the shut-off valve is open. B. Verify that the drain valve is closed. C. Contact the Customer Care Center.

Installation Troubleshooting

Symptoms	Probable Causes	Recommended Action
1. The digital display is OFF and steam is not emitting from the steam head.	<p>A. No electrical power at the steam generator.</p> <p>B. The circuit breaker is in the OFF position.</p> <p>C. The circuit breaker is not the correct size.</p> <p>D. The electrical connection in the steam generator field service box is loose.</p>	<p>A. Reset the electrical power at the circuit breaker. Have a qualified electrician verify that 240 V of power is present at the steam generator.</p> <p>B. Turn ON the electrical power at the circuit breaker.</p> <p>C. Verify that the circuit breaker is the correct size. Replace the circuit breaker if the size is incorrect.</p> <p>D. Turn OFF all electrical power to the steam generator. Have a qualified electrician open the steam generator field service box and check/repair the connections.</p>
2. The digital display is showing an error code and steam is not emitting from the steam head. Refer to the "Error Codes" section for a list of error codes.	<p>A. The water is turned OFF.</p> <p>B. The inlet screen is clogged.</p> <p>C. There is excessive back pressure caused by piping that is too long or piping that contains too many 90° elbows.</p> <p>D. The steam control is not connected.</p>	<p>A. Turn ON the water supply.</p> <p>B. Remove and clean the inlet screens.</p> <p>C. Relocate the steam generator closer to the steam head or use 45° elbows.</p> <p>D. Check the wiring connections according to the steam control installation instructions. If needed, use the provided troubleshooting kit to troubleshoot connection issues.</p>
3. Steam is emitting from the steam head, but the steam control is turned OFF.	<p>A. Elevations greater than 6000' (1829 m) above sea level may cause water to boil at lower temperatures.</p>	<p>A. Disable the fast response heater. Refer to the "Enabling/Disabling the Fast Response Heater" section.</p>

Compliance

This device complies with Part 15 of the FCC Rules. Operation is subject to the following two conditions: (1) this device may not cause harmful interference, and (2) this device must accept any interference received, including interference that may cause undesired operation.

Changes or modifications not expressly approved by the party responsible for compliance could void the user's authority to operate the equipment.

This equipment has been tested and found to comply with the limits for a Class B digital device, pursuant to Part 15 of the FCC Rules. These limits are designed to provide reasonable protection against harmful interference in a residential installation. This equipment generates, uses, and can radiate radio frequency energy and, if not installed and used in accordance with the instructions, may cause harmful interference to radio communications. However, there is no guarantee that interference will not occur in a particular installation. If this equipment does cause harmful interference to radio or television reception, which can be determined by turning the equipment off and on, the user is encouraged to try to correct the interference by one of the following measures:

- Reorient or relocate the receiving antenna.
- Increase the separation between the equipment and receiver.
- Connect the equipment into an outlet on a circuit different from that to which the receiver is connected.
- Consult the dealer or an experienced radio/TV technician for help.

This Class B digital apparatus complies with Canadian ICES-003.

Instructions d'installation

Générateur de vapeur (13 kW - 15 kW)

Merci d'avoir choisi KOHLER

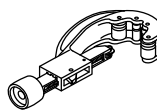
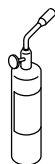
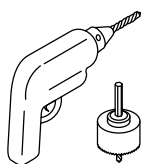
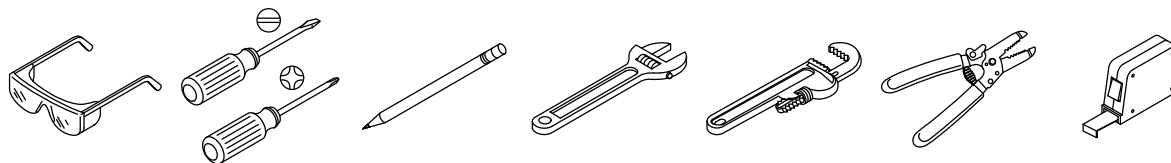
Besoin d'aide? Appeler notre centre de services à la clientèle.

- USA/Canada : 1-800-4KOHLER (1-800-456-4537) Mexique : 001-800-456-4537
Heures d'ouverture : Lundi au vendredi de 8 h à 17 h (HNC)
Langues parlées : Anglais, Espagnol, et des services de traduction sont disponibles.
- **Pièces de rechange** : kohler.com/serviceparts
- **Entretien et nettoyage** : kohler.com/clean
- **Brevets** : kohlercompany.com/patents

Garantie

Ce produit est couvert sous la **garantie limitée de trois ans des générateurs de vapeur KOHLER®**, fournie sur le site kohler.com/warranty. Pour obtenir une copie imprimée des termes de la garantie, s'adresser au centre de services à la clientèle.

Outils et matériaux requis



Scie cylindrique de 1-1/4 po et 2-1/2 po Chalumeau à propane Coupe-tube Soudure



Ruban d'étanchéité pour filets Ruban isolant


Outils et matériel supplémentaires requis :

- Bac de récupération ou bac collecteur
- Tuyauterie en cuivre 1/2 po
- Raccords en cuivre assortis
- Outils et matériaux de menuiserie classiques
- Coudes de 45° et 90°
- Blocs de support (thermorésistants)

INSTRUCTIONS IMPORTANTES SUR LA SÉCURITÉ

LIRE ET SUIVRE TOUTES LES INSTRUCTIONS


Lors de l'installation et de l'utilisation de cet équipement électrique, toujours observer les mesures de sécurité de base, notamment :


 **AVERTISSEMENT : Risque d'explosion.** Ne pas interconnecter les prises de vapeur pour les installations de générateurs de vapeur doubles. Une conduite de vapeur distincte doit être fournie pour chaque orifice de sortie de vapeur.


 **AVERTISSEMENT : Risque d'électrocution.** Déconnecter toute l'alimentation électrique avant de procéder à ces étapes d'installation.


 **AVERTISSEMENT : Risque de blessures.**


- **Les surfaces mouillées des enceintes de vapeur peuvent être glissantes.** Procéder avec soin pour entrer ou sortir.
- **La tête de diffusion de vapeur est chaude.** Ne pas toucher la tête de diffusion de vapeur et éviter la vapeur à proximité de la tête de diffusion de vapeur.
- **Une utilisation prolongée du système de vapeur peut élever la température interne du corps humain de manière excessive et compromettre la capacité du corps de réguler sa température interne (hyperthermie).** Limiter l'utilisation de la vapeur à 10 à 15 minutes jusqu'à être certain de la réaction du corps.
- **Des températures excessives ont un potentiel élevé de créer des lésions fœtales au cours des premiers mois d'une grossesse.** Les femmes enceintes ou qui pourraient être enceintes doivent consulter un médecin en ce qui concerne l'exposition correcte.
- **Les personnes obèses et celles qui ont des antécédents de maladie cardiaque, d'hypotension ou d'hypertension artérielle, des problèmes de l'appareil circulatoire, ou du diabète, doivent consulter un médecin avant d'utiliser un bain à vapeur.**
- **Les personnes utilisant des médicaments doivent consulter un médecin avant d'utiliser un bain à vapeur, étant donné que certains médicaments pourraient créer un endormissement, alors que d'autres médicaments pourraient compromettre la fréquence cardiaque, ainsi que la circulation et la pression artérielle.**

 **AVERTISSEMENT : La consommation d'alcool, de drogues ou de médicaments peut augmenter considérablement le risque fatal d'hyperthermie.** Une immersion prolongée dans de l'eau chaude peut provoquer une hyperthermie. Une hyperthermie a lieu lorsque la température corporelle interne atteint un niveau dépassant de plusieurs degrés la température corporelle normale de 98,6 °F (37 °C). Les symptômes d'hyperthermie comprennent une hausse de la température corporelle interne, des étourdissements, une léthargie, une somnolence et des évanouissements. Les effets d'une hyperthermie comprennent, entre autres : (a) défaut de percevoir la chaleur, (b) défaut de s'apercevoir du besoin de sortir de la baignoire, (c) incapacité de reconnaître un danger imminent, (d) lésions au fœtus dans le cas des femmes enceintes, (e) incapacité physique de sortir de la baignoire et (f) inconscience et danger conséquent de noyade.

 **AVERTISSEMENT : Risque de blessures.** Si l'on commence à ressentir une gêne pendant que l'on prend un bain à vapeur, éteindre le dispositif. Se refroidir avec la douche, ouvrir la porte, ou sortir du dispositif.

 **AVERTISSEMENT : Risque de réaction allergique.** Avant d'ajouter des huiles, des traitements aromathérapeutiques ou des produits de soins de la peau au puits d'aromathérapie, vérifier qu'ils ne causeront pas de réaction allergique pour l'utilisateur.

 **ATTENTION : Risque de blessures.** Pour réduire les risques de blessures, ne jamais permettre à un enfant d'utiliser ce produit sans surveillance étroite en tout temps.

 **ATTENTION : Risque de blessures.** Ne pas plomber de siphon dans la conduite de vapeur et ne pas plomber la soupape de surpression dans la conduite de vapeur. Une soupape de surpression plombée dans la conduite de vapeur peut créer un danger si l'orifice de sortie de vapeur est recouvert d'un bouchon.

⚠ ATTENTION : Risque de lésions corporelles ou de dommages matériels. Éviter d'entrer en contact avec le réservoir d'eau et/ou la conduite d'évacuation de vapeur pendant que le générateur de vapeur fonctionne ou immédiatement après son arrêt. Porter des lunettes de protection des yeux et des vêtements de protection lors de l'entretien du générateur de vapeur. Le générateur de vapeur fonctionne à des températures élevées.

⚠ ATTENTION : Ne pas utiliser à des fins de chauffage d'espaces.

IMPORTANT! La qualité recommandée de l'eau d'alimentation doit être la suivante : Dureté - moins de 60 ppm (3,5 gpg); Alcalinité totale - plus de 150 ppm (8,8 gpg). L'accumulation de tartre de calcium créée par de l'eau dure peut empêcher un fonctionnement adéquat du générateur de vapeur et peut créer une défaillance prématurée. Pour vérifier un fonctionnement adéquat, l'alimentation de l'eau d'alimentation doit être testée avant de faire fonctionner le générateur de vapeur. Si la qualité de l'eau d'alimentation n'est pas comprise dans la limite spécifiée, s'adresser à une société de traitement des eaux réputée pour des options de traitement.

IMPORTANT! La pression maximum de l'eau d'arrivée ne doit pas dépasser 70 psi (483 kPa).

AVIS : Utiliser ce dispositif uniquement pour l'usage auquel il est destiné, tel que spécifié dans ce manuel. NE PAS utiliser des accessoires qui ne sont pas recommandés par Kohler Co.

REMARQUE : Ne pas altérer et ne pas modifier ce produit. Des modifications pourraient entraîner un manque de fonctionnement ou créer une installation dangereuse.

AVIS : Ne pas appliquer de chaleur excessive aux connexions du générateur de vapeur pendant le soudage des connexions. Ne pas appliquer de flux ou d'acides directement sur le générateur de vapeur, afin d'éviter d'endommager les joints, les composants en plastique ou la finition des garnitures. Ne pas appliquer de lubrifiants à base de pétrole sur les composants du générateur de vapeur, étant donné que cela pourrait créer des dommages.

Avant de commencer

IMPORTANT! La taille minimum exigée pour le panneau d'accès pour l'entretien est 24 po (610 mm) L x 15 po (381 mm) H.

IMPORTANT! Tout le travail électrique devrait être effectué par un électricien qualifié.

IMPORTANT! Installer le générateur de vapeur dans un emplacement bien ventilé et avec régulation de la température.

IMPORTANT! Le générateur de vapeur est compatible avec des installations qui exigent un antibélier ou un robinet réducteur de pression pour obtenir une performance optimale.

REMARQUE : Pour vérifier que l'installation de la ou des têtes de diffusion de vapeur est adéquate, se reporter aux instructions d'installation des têtes de diffusion de vapeur avant d'installer le générateur de vapeur.

REMARQUE : Pour vérifier que l'installation de la commande est adéquate, se reporter aux instructions d'installation avant d'installer le générateur de vapeur.

REMARQUE : Les instructions fournies dans ce guide d'installation couvrent les installations de générateurs à vapeur uniques et doubles.

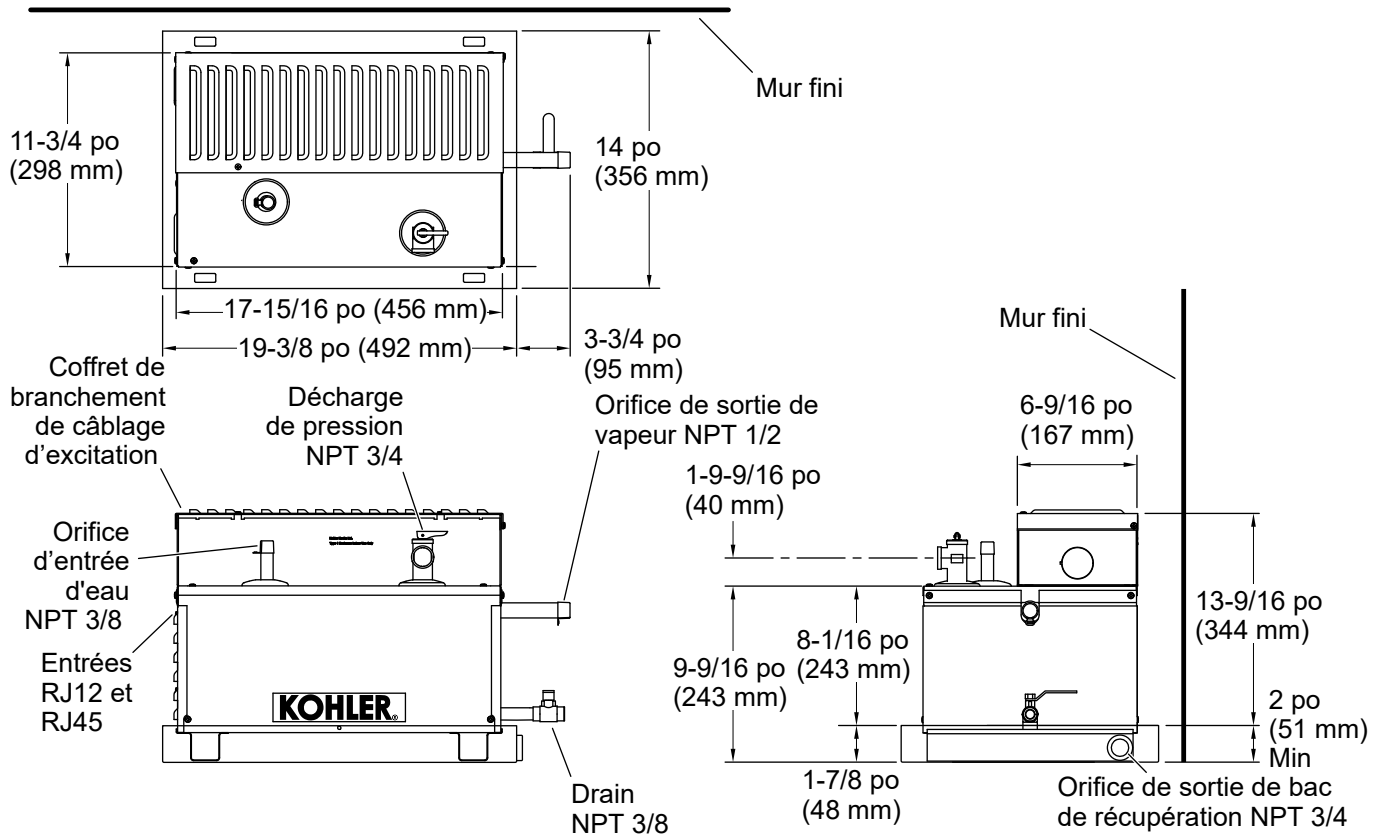
Inspecter le produit pour y rechercher des dommages d'expédition. Ne pas installer le dispositif en présence de dommages. Appeler le service à la clientèle de Kohler Co. en utilisant les renseignements fournis au dos de ce guide.

Connecter le générateur de vapeur à des conduites d'alimentation en eau conformes à tous les codes de plomberie applicables.

Respecter tous les codes locaux en ce qui concerne l'électricité, la plomberie et le bâtiment.

LIRE ET SUIVRE TOUTES LES INSTRUCTIONS

CONSERVER CES INSTRUCTIONS



⚠ AVERTISSEMENT : Risque de dommages matériels. Un espace d'air de 6 po (152 mm) minimum doit être présent autour du générateur de vapeur sur trois côtés au moins. Cela fournit une zone pour permettre à la chaleur générée par le dispositif de se dissiper.

IMPORTANT! La taille minimum exigée pour le panneau d'accès pour l'entretien est 24 po (610 mm) L x 15 po (381 mm) H.

IMPORTANT! Uniquement connecter une tuyauterie en cuivre à l'orifice de sortie de vapeur NPT 1/2. Aucun autre matériau n'est acceptable.

AVIS : Pour une performance optimale, installer le générateur de vapeur aussi près que possible de la tête de diffusion de vapeur. Le générateur de vapeur doit être installé dans un rayon de 25 pi (7,62 m) de la tête de diffusion de vapeur.

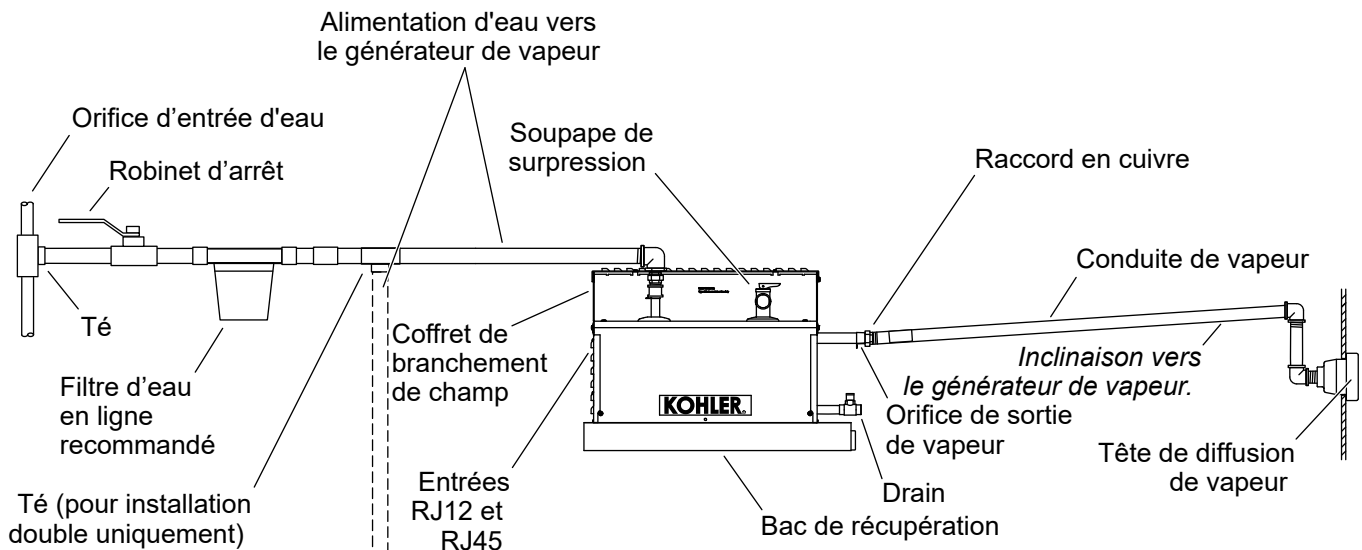
REMARQUE : Utiliser les dimensions fournies dans le diagramme ci-dessus à titre de référence pour déterminer l'emplacement et le dégagement pour le générateur de vapeur.

REMARQUE : Des raccords sont fournis pour l'orifice de sortie de vapeur et l'orifice d'entrée d'eau pour la connexion à un tuyau en cuivre de 1/2 po.

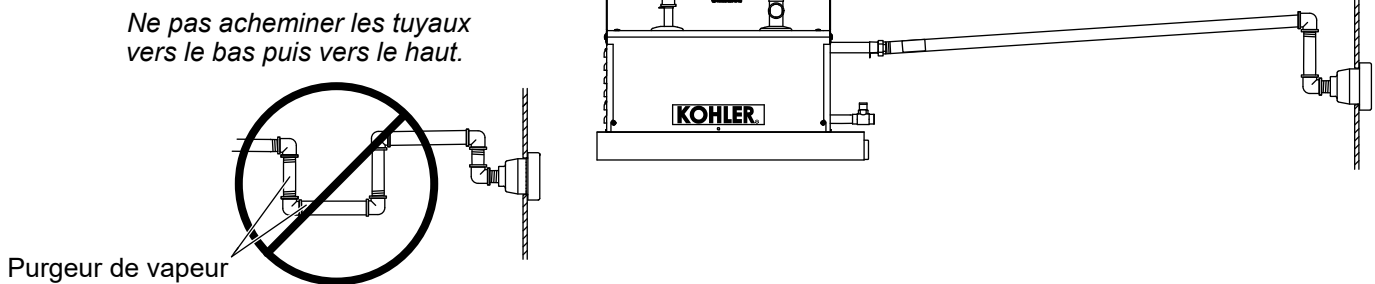
Laisser de l'espace pour le bac de récupération ou le bac collecteur. Bac de récupération KOHLER® illustré (vendu séparément).

1. Déterminer la disposition du système

Installation unique



Installation double



⚠ AVERTISSEMENT : Risque de dommages matériels. Un espace d'air de 6 po (152 mm) minimum doit être présent autour du générateur de vapeur sur trois côtés au moins. Cela fournit une zone pour permettre à la chaleur générée par le dispositif de se dissiper.

⚠ AVERTISSEMENT : Risque d'explosion. Ne pas interconnecter les prises de vapeur pour les installations de générateurs de vapeur doubles. Une conduite de vapeur distincte doit être fournie pour chaque orifice de sortie de vapeur.

IMPORTANT! La taille minimum exigée pour le panneau d'accès pour l'entretien est 24 po (610 mm) L x 15 po (381 mm) H.

IMPORTANT! Ce générateur de vapeur doit seulement être installé en position verticale, comme sur l'illustration. L'emplacement de la soupape de surpression doit être sur le dessus.

IMPORTANT! Installer le générateur de vapeur dans un emplacement bien ventilé et avec régulation de la température.

IMPORTANT! Ne pas installer le générateur de vapeur à l'extérieur, à l'intérieur de la chambre de vapeur, ou dans des endroits où des matières inflammables pourraient être entreposées.

IMPORTANT! Si ce générateur de vapeur sera installé dans un endroit se trouvant à 6000 pi (1829 m) au-dessus du niveau de la mer, le dispositif de chauffage à réponse rapide doit être désactivé. Se reporter à la section « Activer/ Désactiver le dispositif de chauffage à réponse rapide ».

AVIS : Pour une performance optimale, installer le générateur de vapeur aussi près que possible de la tête de diffusion de vapeur. Le générateur de vapeur doit être installé dans un rayon de 25 pi (7,62 m) de la tête de diffusion de vapeur.

AVIS : La présence de gouttes de grande taille dans la conduite de vapeur peut augmenter la condensation et réduit la quantité de vapeur produite. Pour assurer une performance optimale, ne pas installer le générateur de vapeur au-dessus du niveau de la tête de diffusion de vapeur.

AVIS : La fonction PowerClean du générateur effectue une purge par la tête de diffusion de vapeur. Aucune conduite d'écoulement supplémentaire n'est requise pour cette fonction. La vanne de vidange de l'unité est destinée à aider à vider l'unité avant son entretien. Une plomberie est optionnelle.

REMARQUE : Pour obtenir une performance optimale, utiliser des coudes de 45° dans la conduite de vapeur lorsque possible. L'utilisation de coudes de 90° pourrait se traduire par une augmentation de la condensation dans la conduite de vapeur.

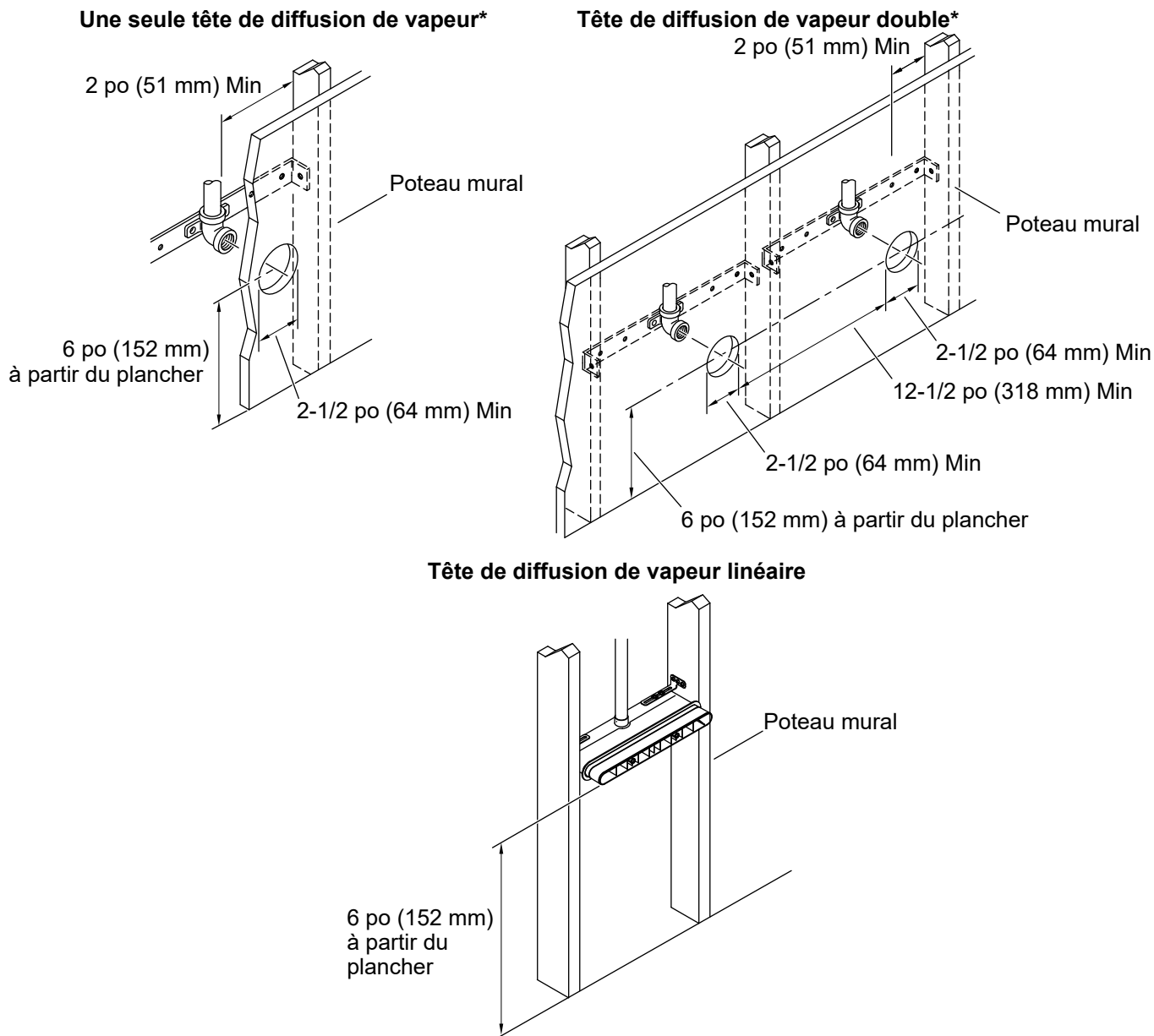
- Déterminer l'emplacement du générateur de vapeur.
- Laisser de l'espace pour un bac de récupération. Choisir un bac de récupération approprié pour l'installation (le bac de récupération de KOHLER est vendu séparément).
- Déterminer l'emplacement des conduites d'alimentation en eau et de vapeur. Vérifier le dégagement entre la conduite de vapeur et toutes les surfaces alentour.
- Installer ce générateur de vapeur dans un espace chauffé pour empêcher un gel.
- Vérifier que le générateur de vapeur est installé à niveau.
- Permettre un accès au générateur de vapeur après l'installation.
- Choisir la taille du générateur de vapeur en fonction des volumes de chambre de vapeur identifiés ci-dessous.

REMARQUE : Hauteur de plafond recommandée : 8 pi (2,4 m). Hauteur de plafond maximale : 10 pi (3,0). Pour chaque pied ou tous les 30 cm supplémentaires de hauteur de plafond au-dessus de 8 pi (2,4 m), choisir la taille de générateur plus grande suivante.

Générateur de vapeur	Volume de chambre de vapeur maximum - pi ³ (m ³)
5 kW	84 pi ³ (2,4 m ³)
7 kW	112 pi ³ (3,2 m ³)
9 kW	240 pi ³ (6,8 m ³)
11 kW	317 pi ³ (9,0 m ³)
13 kW	447 pi ³ (12,7 m ³)
15 kW	500 pi ³ (14,2 m ³)
18 kW (Deux générateurs de vapeur de 9 kW)	550 pi ³ (15,6 m ³)
22 kW (Deux générateurs de vapeur de 11 kW)	634 pi ³ (18,0 m ³)

Générateur de vapeur	Volume de chambre de vapeur maximum - pi³ (m³)
26 kW (Deux générateurs de vapeur de 13 kW)	894 pi ³ (25,3 m ³)
30 kW (Deux générateurs de vapeur de 15 kW)	1 000 pi ³ (28,3 m ³)

2. Déterminer l'emplacement des têtes de diffusion de vapeur



*S'applique à des têtes de diffusion de vapeur carrées ou rondes.

⚠ AVERTISSEMENT : Risque de blessures. Ne pas installer l'interface utilisateur de commande de vapeur à l'extérieur de l'enceinte de vapeur. L'interface utilisateur doit être installée dans l'enceinte afin de permettre aux capteurs de régler la température et de commander le débit de vapeur.

⚠ AVERTISSEMENT : Risque de brûlures. Ne pas bloquer la tête de diffusion de vapeur et ne pas la positionner à proximité d'un siège ou d'un banc, étant donné que la tête de diffusion de vapeur est chaude pendant le fonctionnement et qu'elle pourrait brûler l'utilisateur.

IMPORTANT! Ne pas installer la commande directement au-dessus de la tête de diffusion de vapeur ou en ligne avec celle-ci.

AVIS : Lors de l'installation de la trousse de commande, laisser de l'espace pour une boucle d'égouttement dans le câble de commande. La boucle d'égouttement dissuade l'humidité de suivre le câble de commande vers le générateur de vapeur.

REMARQUE : Toutes les dimensions doivent être prises à partir de l'intérieur de la douche. Consulter les instructions d'installation de la tête de diffusion de vapeur et de la commande pour obtenir de l'information supplémentaire sur les dimensions et l'installation.

- Des têtes de diffusion de vapeur doubles peuvent être installées sur des murs opposés pour améliorer la distribution de vapeur.
- Déterminer l'emplacement de la ou des têtes de diffusion de vapeur. Positionner la ou les têtes de diffusion de vapeur à 6 po (152 mm) au-dessus du plancher de la douche. L'emplacement de la tête ou des têtes de diffusion de vapeur doit se trouver dans un rayon de 25 pi (7,62 m) du générateur de vapeur.
- Déterminer l'emplacement de la ou des têtes de diffusion de vapeur. Se reporter aux instructions d'installation de la ou des têtes de diffusion de vapeur.
- Pour les installations à une seule tête de diffusion de vapeur, déterminer l'emplacement de l'interface utilisateur de commande de vapeur sur le mur opposé de celui de la tête de diffusion de vapeur.
- Pour les installations de deux têtes de diffusion de vapeur, déterminer l'emplacement de l'interface utilisateur de commande de vapeur sur un mur différent de celui des têtes de diffusion de vapeur. Positionner l'interface utilisateur aussi loin que possible des têtes de diffusion de vapeur, tout en restant pratique.
- Positionner l'interface utilisateur de commande de vapeur à 60 po (1524 mm) au-dessus du plancher de la douche.
- Vérifier qu'il y a un dégagement suffisant entre les conduites de vapeur et toutes les surfaces alentour.

3. Installer l'alimentation électrique

Modèle	K-32328-NA	K-32329-NA	K-32334-NA	K-32335-NA
Taille de générateur	13 kW	15 kW	26 kW (Deux générateurs de vapeur de 13 kW)	30 kW (Deux générateurs de vapeur de 15 kW)
Branchement électrique requis				
Circuit de générateur dédié numéro 1	240 V, 80 A, 50/60 Hz	240 V, 90 A, 50/60 Hz	240 V 80 A, 50/60 Hz	240 V, 90 A, 50/60 Hz
Circuit de générateur dédié numéro 2	N/D	N/D	240 V, 80 A, 50/60 Hz	240 V, 90 A, 50/60 Hz
Caractéristiques électriques du produit	240 V, 59 A, 60 Hz	240 V, 68 A, 60 Hz	*240 V, 59 A, 60 Hz	*240 V, 68 A, 60 Hz

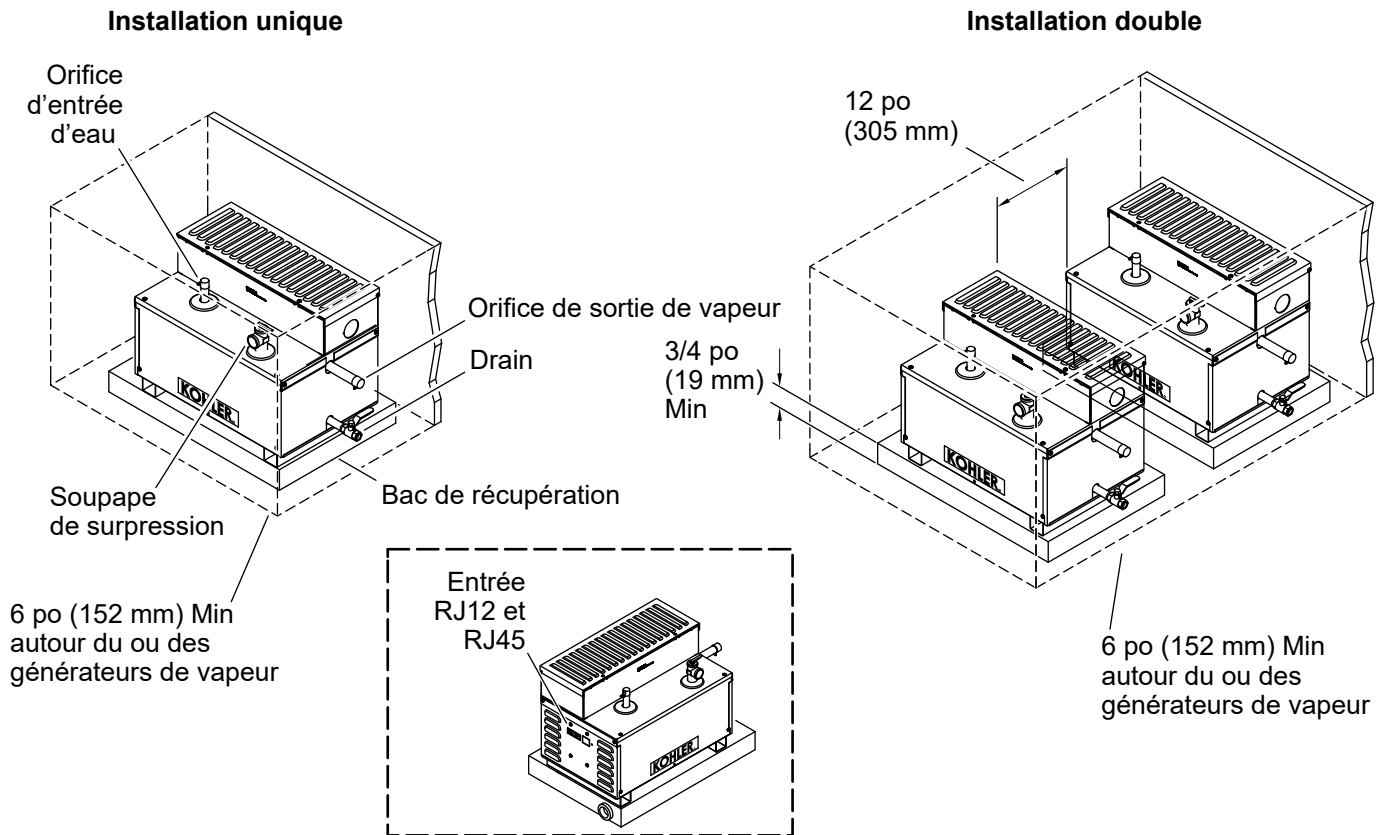
***Pour des installations doubles uniquement :** Chaque générateur de vapeur exige un circuit dédié d'une valeur nominale de 240 V, 60 A, 60 Hz.

 **AVERTISSEMENT : Risque d'électrocution.** Déconnecter toute l'alimentation électrique avant de procéder à ces étapes d'installation.

AVIS : Chaque générateur de vapeur exige un circuit dédié. Les installations de générateurs de vapeur doubles exigent un deuxième circuit dédié.

- Respecter tous les codes locaux en ce qui concerne l'électricité, la plomberie et le bâtiment. Tout le travail électrique devrait être effectué par un électricien qualifié.
- Trouver les conditions requises pour le générateur de vapeur en question dans le tableau ci-dessus.
- Installer l'alimentation électrique adéquate (installer deux alimentations dédiées pour les installations de générateurs de vapeur doubles).

4. Installer le générateur de vapeur



⚠ AVERTISSEMENT : Risque de dommages matériels. Un espace d'air de 6 po (152 mm) minimum doit être présent autour du générateur de vapeur sur trois côtés au moins. Cela fournit une zone pour permettre à la chaleur générée par le dispositif de se dissiper.

IMPORTANT! Installer le générateur de vapeur dans un emplacement bien ventilé et avec régulation de la température.

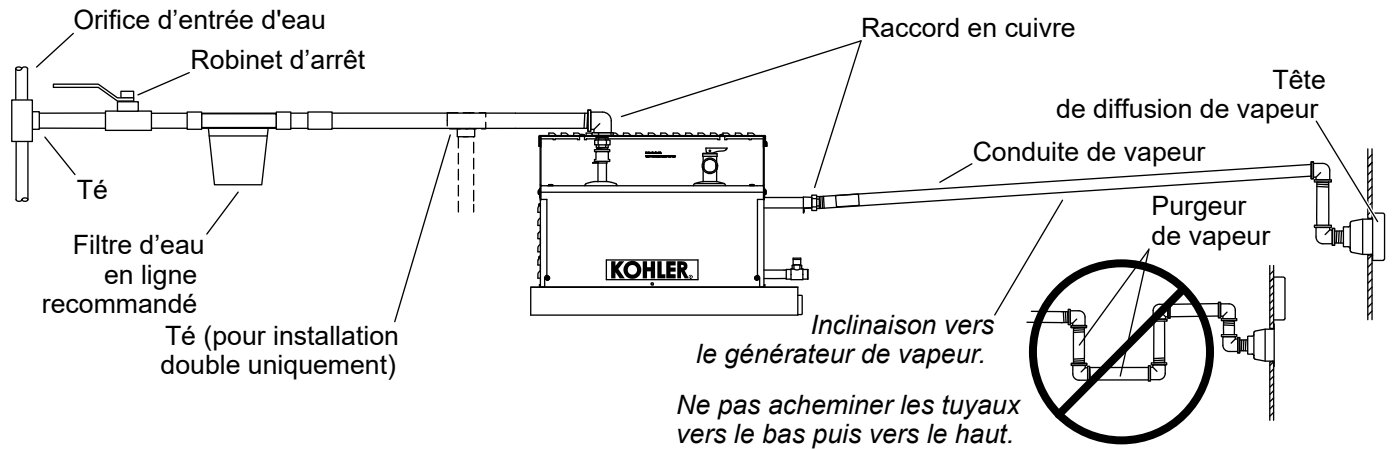
AVIS : Pour une performance optimale, installer le générateur de vapeur aussi près que possible de la tête de diffusion de vapeur. Le générateur de vapeur doit être installé dans un rayon de 25 pi (7,62 m) de la tête de diffusion de vapeur.

- Installer le bac de récupération souhaité à l'emplacement du générateur de vapeur. Kohler Co. recommande d'utiliser un bac de récupération KOHLER.

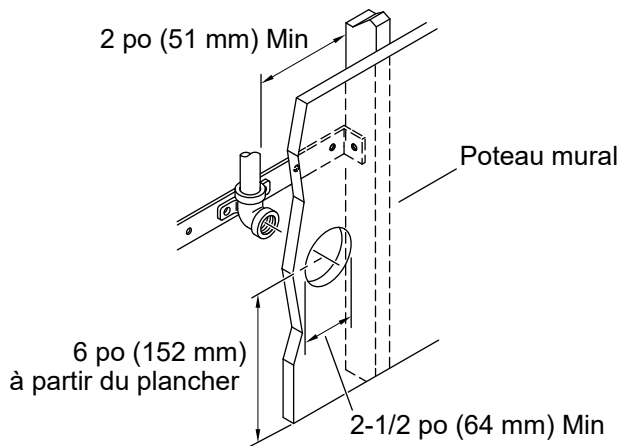
IMPORTANT! Si le bac de récupération n'est pas un bac KOHLER, construire les blocs de support en utilisant du matériel thermorésistant.

- Positionner le générateur de vapeur sur les blocs de support.

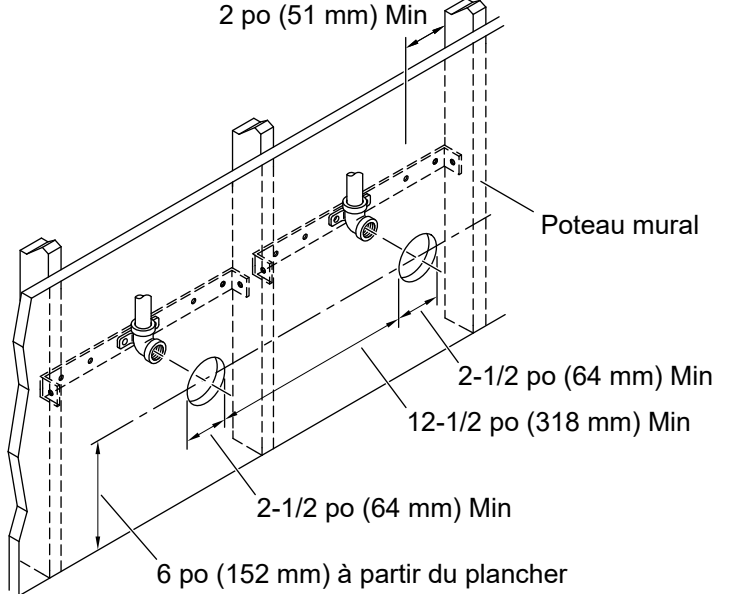
5. Installer la conduite d'eau et la conduite de vapeur



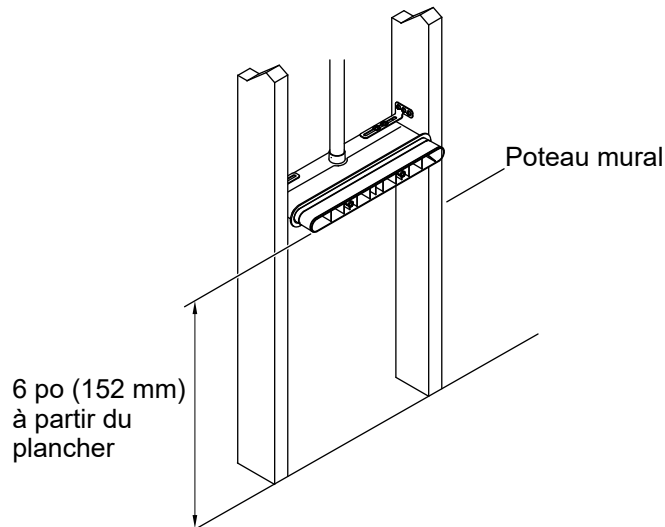
Une seule tête de diffusion de vapeur*







Tête de diffusion de vapeur double*



Tête de diffusion de vapeur linéaire



*S'applique aux têtes de diffusion de vapeur carrées et rondes.

-  **AVERTISSEMENT : Risque de lésions corporelles ou de dommages matériels.** Ne pas plomber la soupape de surpression dans la conduite de vapeur. Une soupape de surpression plombée dans la conduite de vapeur peut créer un danger si la conduite de vapeur est bloquée ou obstruée.
-  **AVERTISSEMENT : Risque de brûlures.** Ne pas plomber de siphon, de robinet d'arrêt ou de soupape de surpression dans la conduite de vapeur. Une soupape de surpression plombée dans la conduite de vapeur peut créer un danger si la sortie de vapeur est recouverte d'un bouchon.
-  **AVERTISSEMENT : Risque de brûlures.** Ne pas connecter l'orifice de sortie du robinet de vidange à la conduite de vapeur. Vérifier qu'il n'y a ni creux ni affaissement dans la conduite de vapeur.
-  **AVERTISSEMENT : Risque de lésions corporelles ou de dommages matériels.** Ne pas diriger la soupape de surpression vers l'enceinte. Si la soupape de surpression devait s'activer, de l'eau chaude pourrait se vaporiser et créer des brûlures chez l'utilisateur et/ou endommager l'enceinte. C'est pourquoi la soupape de surpression doit être dirigée vers une zone où aucun dommage ne se produira suite à un contact avec de l'eau chaude, et l'installation doit être conforme aux codes de plomberie nationaux et locaux.

Information sur le modèle

Modèle	K-32328-NA	K-32329-NA	K-32334-NA	K-32335-NA
Poids	53 lb (24 kg)	53 lb (24 kg)	106 lb (48,1 kg)	106 lb (48,1 kg)
Alimentation en eau	Conduite en cuivre de 1/2 po	Conduite en cuivre de 1/2 po	Conduite en cuivre de 1/2 po	Conduite en cuivre de 1/2 po
Conduite de vapeur	Conduite en cuivre de 1/2 po	Conduite en cuivre de 1/2 po	Conduite en cuivre de 1/2 po	Conduite en cuivre de 1/2 po
Soupape de surpression (fournie)	Filetage femelle NPT 3/4	Filetage femelle NPT 3/4	Filetage femelle NPT 3/4	Filetage femelle NPT 3/4
Vanne de conduite d'écoulement	NPT 3/8	NPT 3/8	NPT 3/8	NPT 3/8

Installer la conduite d'eau vers le générateur


IMPORTANT! Le générateur de vapeur est compatible avec des installations qui exigent un antibélier ou un robinet réducteur de pression pour obtenir une performance optimale.

REMARQUE : Pour toutes les connexions NPT filetées, utiliser du ruban ou un mastic pour tuyaux. Ne pas trop serrer les raccords.

- Connecter à une conduite d'eau froide existante et acheminer une conduite d'eau froide de 1/2 po vers un robinet d'arrêt avant le filtre d'eau en ligne.
- Avant la connexion finale vers le générateur de vapeur, vidanger la conduite d'arrivée d'eau dans un grand seau. Cela élimine tous les débris, le limon, le sable ou d'autres matériaux qui pourraient se trouver dans la conduite. Vérifier que le tamis est en place dans le tube d'alimentation en eau.
- Installer une tubulure de 1/2 po en cuivre avec un raccord-union (fourni avec le générateur de vapeur) se trouvant aussi près que possible du générateur de vapeur.
- Connecter la conduite d'alimentation en eau au générateur de vapeur.
- Ouvrir l'alimentation en eau et remplir le générateur de vapeur avec de l'eau. Rechercher des fuites éventuelles.

- Vérifier que la vanne de vidange d'eau se trouvant sur le générateur est fermée.
- Si la conduite d'alimentation en eau est exposée à des zones froides, isoler la tuyauterie pour empêcher un gel.

Installer la conduite de vapeur

 **AVERTISSEMENT : Risque de brûlures.** Ne pas bloquer la tête de diffusion de vapeur et ne pas la positionner à proximité d'un siège ou d'un banc, étant donné que la tête de diffusion de vapeur est chaude pendant le fonctionnement et qu'elle pourrait brûler l'utilisateur.

AVIS : Ne pas installer la pente de la conduite de vapeur vers le bas puis vers le haut. Si la pente de la conduite de vapeur est dirigée vers le bas puis vers le haut, la vapeur sera piégée et bloquera l'écoulement de la vapeur. Installer la conduite de vapeur en position inclinée sur la tête de diffusion de vapeur, à une inclinaison de 3/8 po (10 mm) - 1/2 po (13 mm) par 12 po (305 mm) de tuyau.

AVIS : Fournir un dégagement entre le mur arrière et le coude menant dans l'enceinte de vapeur. Le coude ne peut pas contacter un matériau de mur.

AVIS : Fournir un dégagement entre la conduite de vapeur et les surfaces alentour.

AVIS : Ne pas appliquer de chaleur excessive aux connexions du générateur pendant le soudage des connexions. Ne pas appliquer de flux ou d'acides directement sur le générateur de vapeur, afin d'éviter d'endommager les joints, les composants en plastique ou la finition des garnitures. Ne pas appliquer de lubrifiants à base de pétrole sur les composants du générateur de vapeur, étant donné que cela pourrait créer des dommages.

REMARQUE : Utiliser du ruban d'étanchéité pour filets ou un mastic d'étanchéité pour tuyaux pour les connexions filetées. Ne pas trop serrer les raccords.

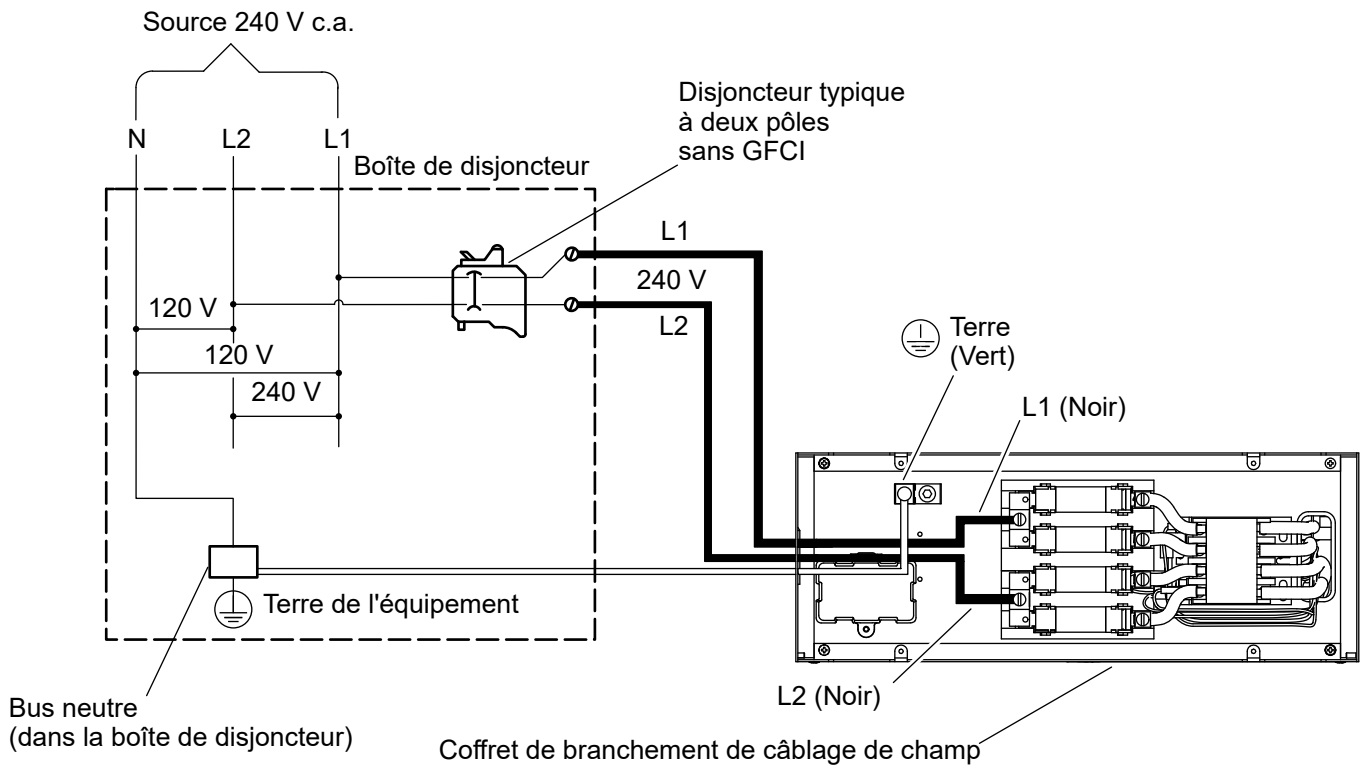
REMARQUE : Utiliser un tube en cuivre de 1/2 po pour la conduite de vapeur.

REMARQUE : Pour obtenir une performance optimale, utiliser des coudes de 45° dans la conduite de vapeur lorsque possible. L'utilisation de coudes de 90° pourrait se traduire par une augmentation de la condensation dans la conduite de vapeur.

REMARQUE : Toujours installer un raccord-union (fourni) aussi près que possible du générateur de vapeur.

- Ajouter un blocage à l'arrière de l'emplacement souhaité de la ou des têtes de diffusion de vapeur.
- Installer et fixer un coude NPT 1/2 sur le blocage directement à l'arrière de l'emplacement souhaité pour la ou les têtes de diffusion de vapeur.
- Installer un mamelon en cuivre de 1/2 po temporaire qui se prolonge à travers le mur fini.

6. Connecter l'alimentation électrique



⚠ AVERTISSEMENT : Risque d'électrocution. Déconnecter toute l'alimentation électrique avant de procéder à ces étapes d'installation.

IMPORTANT! NE PAS utiliser des serre-fils pour les connexions d'alimentation électrique.

IMPORTANT! Vérifier que l'arrivée d'eau vers le générateur de vapeur est en marche avant de connecter l'alimentation électrique.

AVIS : Tout le travail électrique devrait être effectué par un électricien qualifié.

AVIS : Tout le câblage électrique doit être effectué conformément aux codes locaux.

AVIS : Chaque générateur de vapeur exige un circuit dédié. Les installations de générateurs de vapeur doubles exigent un deuxième circuit dédié.

REMARQUE : Le câblage d'excitation et le disjoncteur ne sont pas fournis.

- Couper toute l'électricité vers la zone de travail au niveau du panneau de disjoncteur principal.
- Connecter une ligne électrique de 240 V c.a. aux fils dénommés « L1 », « L2 », et au fil de mise à la terre qui sort du coffret de câblage d'excitation.
- Vérifier que la connexion à la terre a été effectuée dans le coffret de câblage d'excitation.
- Fermer le coffret de câblage d'excitation.

- Mettre l'alimentation principale en marche.
- L'écran numérique devrait indiquer « Ld » ou « Hd ». Si l'écran numérique n'est pas allumé, se reporter à la section « Dépannage » ou s'adresser au Centre de services à la clientèle.

7. Effectuer l'installation

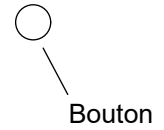
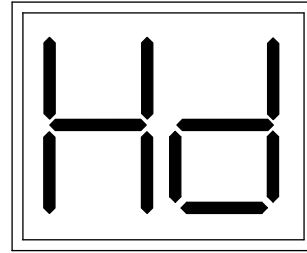
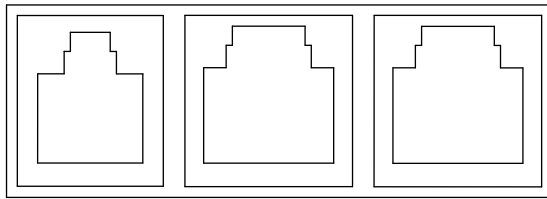


Étiquette d'avertissement

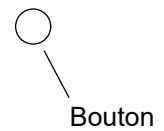
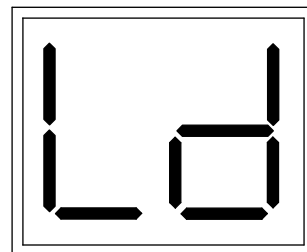
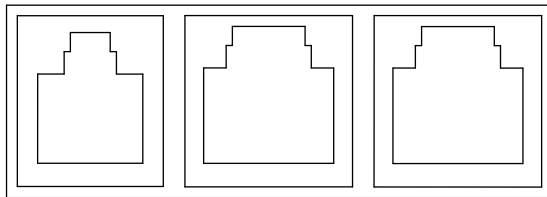
- Retirer le dos adhésif de l'étiquette d'avertissement fournie et appliquer l'étiquette sur le mur de la douche ou de l'enceinte de vapeur.
- Installer le logement de vapeur et la tête de diffusion de vapeur en suivant les instructions fournies avec la tête de diffusion de vapeur ou les instructions d'installation de la commande de vapeur.
- Retirer le ruban jaune des entrées du câble de commande.
- Installer la commande de vapeur en suivant les instructions fournies avec la commande de vapeur.
- Pour faire fonctionner la commande de vapeur, suivre les instructions de fonctionnement fournies avec la commande de vapeur.

Activation/Désactivation du dispositif de chauffage à réponse rapide

Unité de chauffage à réponse rapide Activé




Unité de chauffage à réponse rapide Désactivé



IMPORTANT! Si le générateur de vapeur sera installé dans un emplacement se trouvant à 6000 pi (1829 m) au-dessus du niveau de la mer, le dispositif de chauffage à réponse rapide doit être désactivé.

- Appuyer sur le bouton situé à côté de l'écran numérique pour activer ou désactiver le dispositif de chauffage à réponse rapide.

Dépannage

 **ATTENTION : Risque de blessures.** Les étapes de dépannage impliquant un câblage ou des connexions électriques internes devraient être effectuées par un électricien qualifié.

REMARQUE : Les étapes de dépannage ci-dessous s'appliquent uniquement au générateur de vapeur même. Pour les problèmes impliquant la commande de vapeur, se reporter à la section « Dépannage » des instructions relatives à la commande de vapeur.

REMARQUE : Pour tout renseignement sur les pièces de rechange, visiter la page du produit sur le site kohler.com/serviceparts.

Ce guide de dépannage est destiné à fournir une aide d'ordre général uniquement. Pour des problèmes ou questions concernant l'entretien et l'installation, composer le 1-800-4KOHLER.

Codes d'erreurs

Code d'erreur	Description
01	Le niveau d'eau est bas, ce qui fait monter la température.
02	Le générateur de vapeur est inférieur à la température prévue.
03	Le générateur de vapeur est inférieur à la température prévue.
04	Le générateur de vapeur est supérieur à la température prévue.
05	Le générateur de vapeur est supérieur à la température prévue.
08	Erreur de communication.
10	Défaillance électrique de la soupape de vapeur.
20	Défaillance mécanique de la soupape de vapeur. Voir la section « Dépannage de codes d'erreurs » ci-dessous.
30	Défaillance électrique de la vanne PowerClean.
40	Défaillance mécanique de la vanne PowerClean. Voir la section « Dépannage des codes d'erreurs » ci-dessous.
50	Défaillance de capteur de niveau d'eau.
60	Défaillance de relais de dispositif de chauffage principal.
70	Défaillance de dispositif de chauffage principal.
80	Défaillance de dispositif de chauffage à réponse rapide.
90	Le bouton du panneau de commande est coincé.

Défaillance de codes d'erreurs

Code d'erreur	Cause probable	Action recommandée
20	A. Le robinet d'arrêt est fermé B. Le robinet de vidange est ouvert. C. Défaillance mécanique de la soupape de vapeur.	A. Vérifier que le robinet d'arrêt est ouvert. B. Vérifier que le robinet de vidange est fermé. C. S'adresser au centre de services à la clientèle.

Code d'erreur	Cause probable	Action recommandée
40	<p>A. Le robinet d'arrêt est fermé.</p> <p>B. Le robinet de vidange est ouvert.</p> <p>C. Défaillance mécanique de la vanne PowerClean.</p>	<p>A. Vérifier que le robinet de vidange est ouvert.</p> <p>B. Vérifier que le robinet de vidange est fermé.</p> <p>C. S'adresser au centre de services à la clientèle.</p>

Dépannage d'installation

Symptômes	Causes probables	Action recommandée
1. L'écran numérique est éteint et aucune vapeur n'est émise en provenance de la tête de diffusion de vapeur.	<p>A. Aucune alimentation électrique au niveau du générateur de vapeur.</p> <p>B. Le disjoncteur est à la position d'arrêt.</p> <p>C. La taille du disjoncteur n'est pas adéquate.</p> <p>D. La connexion électrique dans le coffret de branchement de champ du générateur de vapeur est desserrée.</p>	<p>A. Réinitialiser l'alimentation électrique au niveau du disjoncteur. Demander à un électricien qualifié de vérifier qu'une alimentation de 240 V est présente au niveau du générateur de vapeur.</p> <p>B. Mettre l'alimentation électrique en marche au niveau du disjoncteur.</p> <p>C. Vérifier que la taille du disjoncteur est adéquate. Remplacer le disjoncteur s'il est de la mauvaise taille.</p> <p>D. Couper toute l'alimentation électrique vers le générateur de vapeur. Demander à un électricien qualifié d'ouvrir le coffret de branchement de champ du générateur de vapeur et vérifier/réparer les connexions.</p>
2. L'écran numérique indique un code d'erreur et aucune vapeur n'est émise en provenance de la tête de diffusion de vapeur. Se reporter à la section « Codes d'erreurs » pour une liste des codes d'erreurs.	<p>A. L'eau est coupée.</p> <p>B. Le tamis de l'orifice d'entrée est obstrué.</p> <p>C. Une contrepression excessive causée par une tuyauterie trop longue ou une tuyauterie qui contient un nombre excessif de coudes de 90°.</p> <p>D. La commande de vapeur n'est pas connectée.</p>	<p>A. Ouvrir l'alimentation en eau.</p> <p>B. Retirer et nettoyer les tamis de l'orifice d'entrée.</p> <p>C. Amener le générateur de vapeur plus près de la tête de diffusion de vapeur ou utiliser des coudes de 45°.</p> <p>D. Vérifier les connexions de câblage conformément aux instructions d'installation de la commande de vapeur. Au besoin, utiliser la trousse de dépannage fournie pour dépanner les problèmes de connexion.</p>
3. De la vapeur est émise de la tête de diffusion de vapeur, mais la commande de vapeur est désactivée.	<p>A. Des élévations à plus de 6 000 pi (1 829 m) au-dessus du niveau de la mer peuvent faire en sorte que l'eau pourrait bouillir des températures plus basses.</p>	<p>A. Désactiver le dispositif de chauffage à réponse rapide. Se reporter à la section « Activer/ Désactiver le dispositif de chauffage à réponse rapide ».</p>

Conformité

Ce dispositif est conforme à la section 15 des réglementations de la FCC. L'utilisation est assujettie aux deux conditions suivantes : (1) ce dispositif ne peut pas créer des brouillages nuisibles, et (2) ce dispositif doit accepter tous les brouillages captés, y compris les brouillages qui pourraient créer un fonctionnement indésirable.

Tous changements ou modifications non expressément approuvés par la partie responsable garantissant la conformité pourraient annuler le droit à l'utilisateur d'opérer cet équipement.

Cet équipement a été testé et a été considéré être conforme aux limitations pour un dispositif numérique de classe B, selon la section 15 des réglementations FCC. Ces limites sont conçues pour fournir une protection raisonnable contre tout brouillage nuisible dans une installation résidentielle. Cet équipement génère, utilise et peut faire rayonner une énergie de radiofréquence et, s'il n'est pas installé et utilisé conformément aux instructions, pourrait créer des brouillages nuisibles aux communications par radio. Cependant, il n'est pas garanti qu'aucun brouillage n'aura lieu dans une installation particulière. Si cet équipement cause des brouillages nuisibles à la réception de radio ou de télévision, ce qui peut être déterminé en éteignant l'équipement et en le rallumant, l'utilisateur est encouragé à essayer de rectifier ces brouillages par l'un des moyens suivants :

- Réorienter ou changer l'emplacement de l'antenne de réception.
- Augmenter la séparation entre l'équipement et le récepteur.
- Brancher l'équipement sur une prise d'un circuit différent de celui auquel le récepteur est connecté.
- Consulter le concessionnaire ou un technicien radio/TV expérimenté pour obtenir de l'assistance.

Cet appareillage numérique de classe B est conforme à la norme canadienne ICES-003.

Instrucciones de instalación

Generador de vapor (13 kW a 15 kW)

Gracias por elegir KOHLER

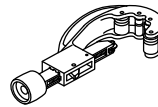
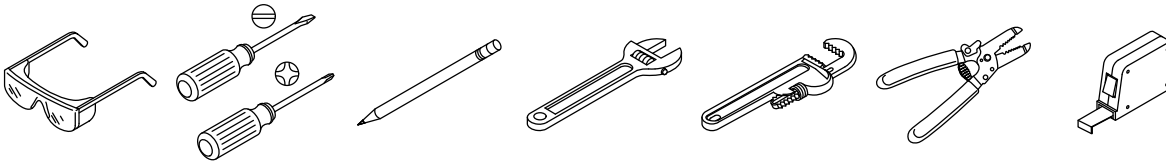
¿Necesita ayuda? Comuníquese con nuestro Centro de Atención al Cliente.

- EE. UU./Canadá: 1-800-4KOHLER (1-800-456-4537) México: 001-800-456-4537
Horario de atención: Lunes a viernes de 8:00 AM a 5:00 PM (tiempo del centro)
Idiomas: inglés, español y servicios de traducción disponibles.
- **Piezas de repuesto:** kohler.com/serviceparts
- **Cuidado y limpieza:** kohler.com/clean
- **Patentes:** kohlercompany.com/patents

Garantía

A este producto lo cubre la **garantía limitada de tres años para generadores de vapor de KOHLER®**, que puede consultarse en kohler.com/warranty. Si lo desea, solicite al Centro de Atención al Cliente una copia impresa de los términos de la garantía.

Herramientas y materiales requeridos



Corona perforadora de 1-1/4 pulg y 2-1/2 pulg Soplete de propano Cortatubos Soldadura



Cinta selladora de roscas Cinta de aislar











Herramientas y materiales adicionales requeridos:

- Bandeja para desagüe o derrames
- Tubería de cobre de 1/2 pulg
- Diversos conectores de cobre
- Herramientas y materiales comunes de carpintería
- Codos de 45° y 90°
- Bloques de soporte (resistentes al calor)

IMPORTANTES INSTRUCCIONES DE SEGURIDAD

LEA Y SIGA TODAS LAS INSTRUCCIONES.

Al instalar y usar este equipo eléctrico siempre se deben seguir precauciones básicas de seguridad, incluidas las siguientes:

-  **AVISO: Riesgo de explosión.** En instalaciones dobles de generadores de vapor, no interconecte salidas de vapor. Se debe contar con una línea de vapor por separado para cada salida de vapor.
-  **AVISO: Riesgo de electrocución.** Desconecte toda la corriente antes de realizar estos pasos de instalación.
-  **AVISO: Riesgo de sufrir lesiones personales.**
 - Las superficies húmedas en los recintos de vapor podrían estar resbalosas. Tenga cuidado al entrar o al salir.
 - El cabezal de vapor está caliente. No toque el cabezal de vapor, y evite el vapor cerca del cabezal de vapor.
 - El uso prolongado del sistema de vapor puede aumentar excesivamente la temperatura interna del cuerpo humano y afectar la habilidad del cuerpo para regular su temperatura interna (hipertermia). Limite el uso de vapor de 10 a 15 minutos mientras no esté seguro de la reacción de su cuerpo.
 - Las temperaturas excesivas tienen un alto potencial de causar daños a los fetos durante los primeros meses del embarazo. Las mujeres embarazadas, o que posiblemente estén embarazadas, deben consultar a un médico con respecto a estar expuestas al vapor.
 - Las personas obesas y aquellas con historial de enfermedades del corazón, baja o alta presión arterial, problemas del sistema circulatorio, o diabetes, deben consultar a un médico antes de usar un baño de vapor.
 - Las personas que tomen medicamentos deben consultar a un médico antes de usar un baño de vapor, ya que ciertos medicamentos podrían causar mareos mientras que otros podrían afectar el ritmo cardíaco, la presión arterial y la circulación.
-  **AVISO: El uso de alcohol, drogas o medicamentos puede aumentar enormemente el riesgo de sufrir hipertermia fatal.** La inmersión prolongada en agua caliente puede producir hipertermia. Se presenta hipertermia cuando la temperatura interna del cuerpo alcanza un nivel varios grados más arriba de la temperatura corporal normal de 98,6 °F (37 °C). Los síntomas de hipertermia incluyen aumento de temperatura corporal interna, mareos, letargo, somnolencia y desfallecimiento. Los efectos de la hipertermia incluyen: (a) incapacidad para percibir calor, (b) incapacidad para reconocer la necesidad de salir de la bañera, (c) inconsciencia de un peligro inminente, (d) daños al feto en mujeres embarazadas, (e) inhabilidad física para salir de la bañera y (f) pérdida del conocimiento con peligro de ahogarse.
-  **AVISO: Riesgo de sufrir lesiones personales.** Si se siente incómodo mientras toma un baño de vapor, debe apagar la unidad. Refréscuese con la ducha, abra la puerta o salga de la unidad.
-  **AVISO: Riesgo de sufrir una reacción alérgica.** Antes de agregar aceites, terapias aromáticas o productos para la piel en el depósito para aromaterapia, verifique que no le causen reacciones alérgicas al usuario.
-  **PRECAUCIÓN: Riesgo de sufrir lesiones.** Para reducir el riesgo de lesiones, no permita que los niños usen este producto sin supervisión estricta en todo momento.
-  **PRECAUCIÓN: Riesgo de sufrir lesiones personales.** No instale un sifón en la línea de vapor, ni una válvula de liberación de presión en la línea de vapor. Puede ser peligroso instalar la válvula de liberación de presión en la línea de vapor si se tapa la salida de vapor.
-  **PRECAUCIÓN: Riesgo de sufrir lesiones personales o de causar daños a la propiedad.** Evite entrar en contacto con el tanque de agua y/o con la línea de descarga de vapor mientras el generador de vapor esté en funcionamiento, o un poco después de que se haya apagado. Use protección para los ojos y ropa de protección al dar servicio al generador de vapor. El generador de vapor funciona a altas temperaturas.
-  **PRECAUCIÓN: No lo use para calentar un espacio.**

¡IMPORTANTE! La calidad del agua de alimentación recomendada es: Dureza - menor de 60 ppm (3,5 g/gal); Alcalinidad total - mayor de 150 ppm (8,8 g/gal). La acumulación de incrustaciones de calcio debidas al agua dura puede evitar el funcionamiento correcto del generador de vapor y causar fallas prematuras. Para verificar el funcionamiento correcto, el agua de alimentación debe ser analizada antes de usar el generador de vapor. Si la calidad del agua de alimentación no está dentro de los límites especificados, consulte opciones de tratamiento con una compañía de tratamiento de agua con buena reputación.

¡IMPORTANTE! La presión máxima del agua de alimentación no debe exceder 70 psi (483 kPa).

AVISO: Use esta unidad únicamente con el fin para el que ha sido fabricada, tal como se especifica en este manual. NO use equipos adicionales que no recomiende Kohler Co.

NOTA: No altere ni modifique este producto. Las modificaciones pueden ocasionar en fallas de funcionamiento o una instalación peligrosa.

AVISO: Al soldar las conexiones, no aplique calor excesivo a las conexiones del generador de vapor. No aplique fundente ni ácidos directamente al generador de vapor, pues se pueden dañar los sellos, los componentes de plástico y el acabado de la garnición. No aplique lubricantes derivados del petróleo a los componentes del generador de vapor, pues se podrían ocasionar daños.

Antes de comenzar

¡IMPORTANTE! El tamaño mínimo requerido para el panel de acceso para servicio es de 24" (610 mm) de largo x 15" (381 mm) de altura.

¡IMPORTANTE! Todo el trabajo eléctrico debe hacerlo un electricista capacitado.

¡IMPORTANTE! Instale el generador de vapor en un lugar bien ventilado y con temperatura controlada.

¡IMPORTANTE! El generador de vapor es compatible con instalaciones que requieren un amortiguador de golpe de ariete o una válvula de reducción de presión para obtener el rendimiento óptimo.

NOTA: Para verificar la instalación correcta del cabezal de vapor, consulte las instrucciones de instalación del cabezal de vapor antes de instalar el generador de vapor.

NOTA: Para verificar la instalación correcta del cabezal de vapor, consulte las instrucciones del controlador antes de instalar el generador de vapor.

NOTA: Las instrucciones en esta guía de instalación cubren tanto las instalaciones de generadores de vapor sencillos como dobles.

Revise el producto en busca de daños durante el transporte. No instale la unidad si presenta daños. Comuníquese con el Centro de Atención al Cliente de Kohler Co. mediante la información de la página posterior de este manual.

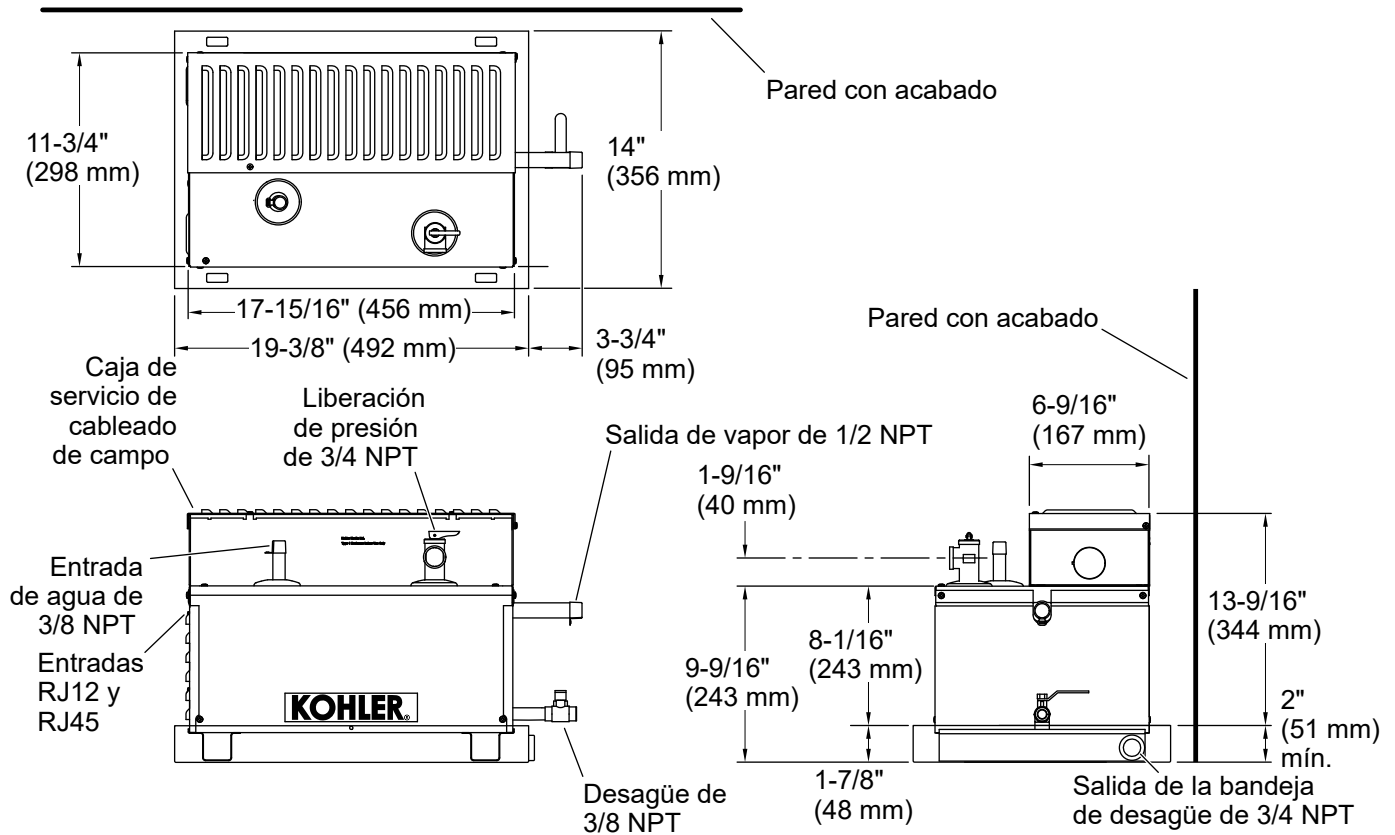
Conecte el generador de vapor a líneas de suministro de agua que cumplan todos los códigos de plomería aplicables.

Cumpla todos los códigos locales de plomería, construcción y eléctricos.

LEA Y SIGA TODAS LAS INSTRUCCIONES

GUARDE ESTAS INSTRUCCIONES

Diagrama de instalación



⚠ AVISO: Riesgo de ocasionar daños a la propiedad. En todo momento debe haber un mínimo de 6" (152 mm) de espacio libre alrededor del generador de vapor. Esto proporciona un área para que se disipe el calor generado por la unidad.

¡IMPORTANTE! El tamaño mínimo requerido para el panel de acceso para servicio es de 24" (610 mm) de largo x 15" (381 mm) de altura.

¡IMPORTANTE! Solo conecte tubería de cobre a la salida de vapor de 1/2 NPT. Ningún otro material es aceptable.

AVISO: Para obtener el mejor rendimiento, instale el generador de vapor lo más cerca posible al cabezal de vapor. El generador de vapor debe instalarse a menos de 25' (7,62 m) del cabezal de vapor.

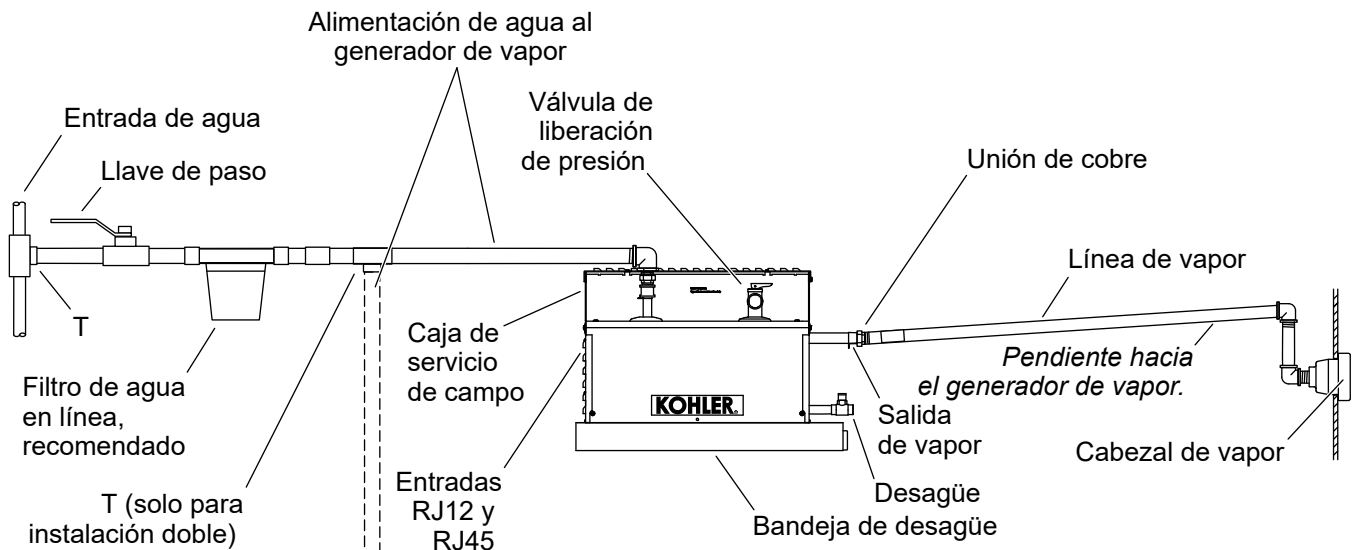
NOTA: Use las dimensiones en el diagrama anterior como referencia al determinar la colocación y el espacio libre para el generador de vapor.

NOTA: Se suministran uniones para las conexiones de salida de vapor y de entrada de agua a una tubería de cobre de 1/2 pulg.

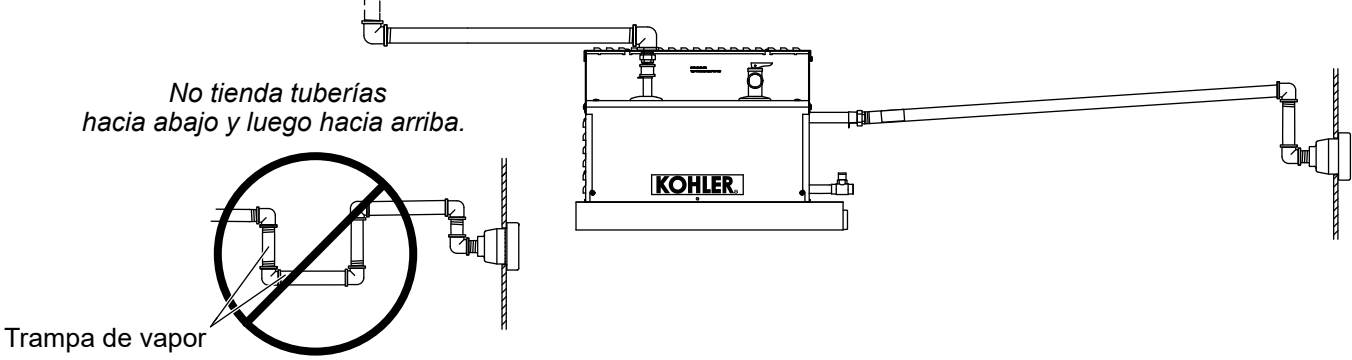
Deje lugar para la bandeja de desagüe o para derrames. Se muestra la bandeja de desagüe KOHLER® (se vende por separado).

1. Determine la distribución del sistema

Instalación sencilla



Instalación doble



⚠ AVISO: Riesgo de ocasionar daños a la propiedad. En todo momento debe haber un mínimo de 6" (152 mm) de espacio libre alrededor del generador de vapor. Esto proporciona un área para que se disipe el calor generado por la unidad.

⚠ AVISO: Riesgo de explosión. En instalaciones dobles de generadores de vapor, no interconecte salidas de vapor. Se debe contar con una línea de vapor por separado para cada salida de vapor.

¡IMPORTANTE! El tamaño mínimo requerido para el panel de acceso para servicio es de 24" (610 mm) de largo x 15" (381 mm) de altura.

¡IMPORTANTE! Este generador de vapor solo debe ser instalado en posición vertical hacia arriba, como se indica. La válvula de liberación de presión debe estar en la parte superior.

¡IMPORTANTE! Instale el generador de vapor en un lugar bien ventilado y con temperatura controlada.

¡IMPORTANTE! No instale el generador de vapor al aire libre, dentro del cuarto de vapor, o en áreas donde pudiera haber materiales inflamables almacenados.

¡IMPORTANTE! Si este generador de vapor va a ser instalado en un lugar a 6000' (1829 m) sobre el nivel del mar, es necesario inhabilitar el calentador de respuesta rápida. Consulte la sección "Cómo habilitar o inhabilitar el calentador de respuesta rápida".

AVISO: Para obtener el mejor rendimiento, instale el generador de vapor lo más cerca posible al cabezal de vapor. El generador de vapor debe instalarse a menos de 25' (7,62 m) del cabezal de vapor.

AVISO: Grandes caídas en la línea de vapor pueden aumentar la condensación y reducir la cantidad de vapor producido. Para obtener el mejor rendimiento, no instale el generador de vapor más arriba del nivel del cabezal de vapor.

AVISO: La función PowerClean del generador descarga a través del cabezal de vapor. No se requiere una línea de desagüe adicional para esta función. La válvula de desagüe en la unidad sirve para ayudar a vaciar la unidad antes de darle servicio. La plomería es opcional.

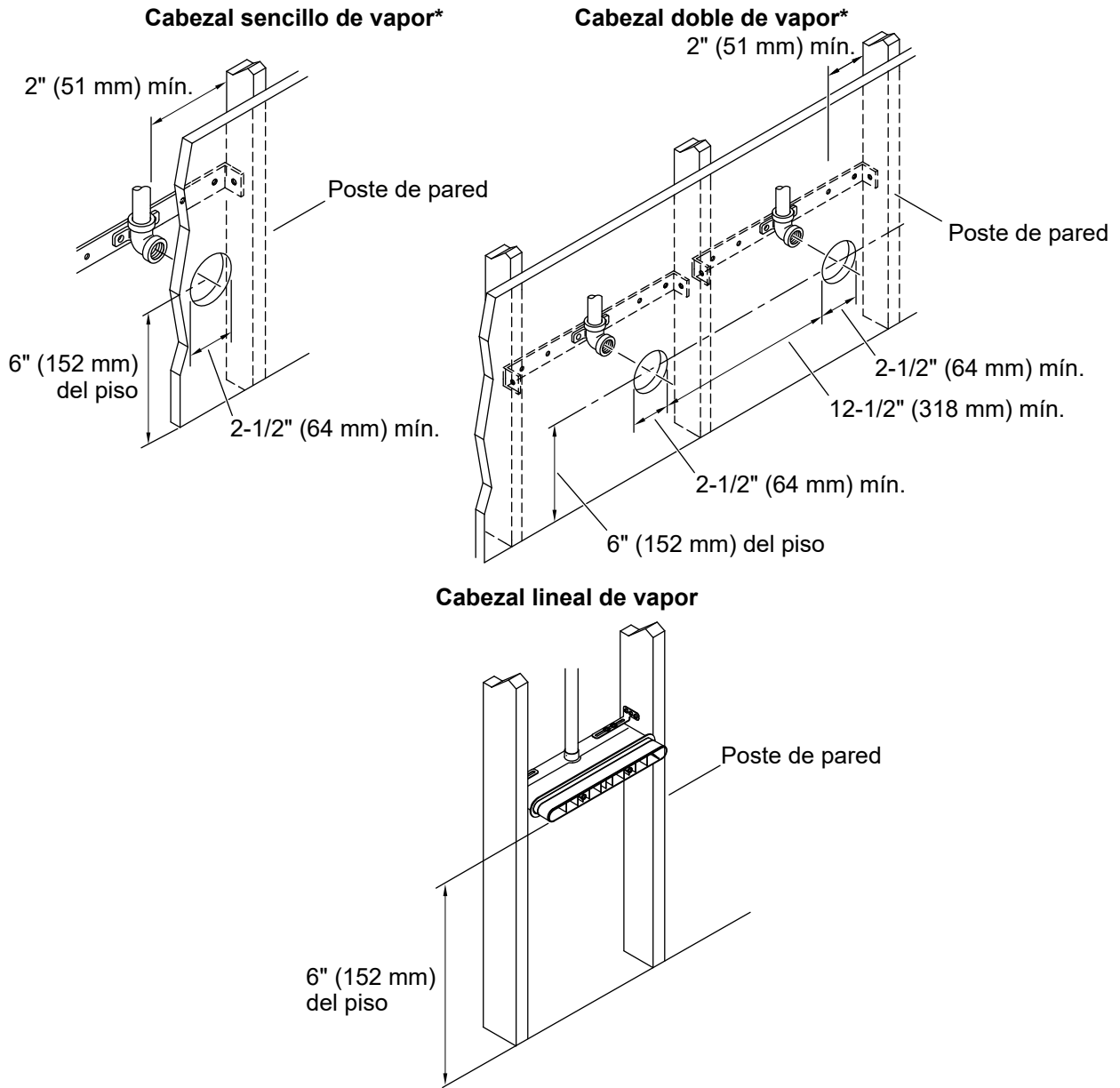
NOTA: Para obtener el mejor rendimiento, siempre que sea posible use codos de 45° en la línea de vapor. El uso de codos de 90° puede causar un aumento en la condensación en la línea de vapor.

- Determine la ubicación del generador de vapor.
- Deje lugar para una bandeja de desagüe. Elija una bandeja de desagüe adecuada a su instalación (la bandeja de desagüe KOHLER se vende por separado).
- Determine la ubicación de los suministros de agua y de las líneas de vapor. Verifique el espacio libre entre la línea de vapor y cualquier superficie circundante.
- Instale este generador de vapor en un espacio calentado para evitar que se congele.
- Verifique que el generador de vapor esté instalado nivelado.
- Deje acceso al generador de vapor después de que quede instalado.
- Seleccione el tamaño del generador de vapor de acuerdo al volumen del cuarto de vapor especificado a continuación.

NOTA: Altura recomendada del techo (cielo raso): 8' (2,4 m). Altura máxima del techo (cielo raso): 10' (3,0 m). Por cada pie adicional de altura del techo (cielo raso) arriba de 8' (2,4 m) escoja el siguiente más grande generador de vapor.

Generador de vapor	Volumen máximo del cuarto de vapor - ft ³ (m ³)
5 kW	84 ft ³ (2,4 m ³)
7 kW	112 ft ³ (3,2 m ³)
9 kW	240 ft ³ (6,8 m ³)
11 kW	317 ft ³ (9,0 m ³)
13 kW	447 ft ³ (12,7 m ³)
15 kW	500 ft ³ (14,2 m ³)
18 kW (2 generadores de vapor de 9 kW)	550 ft ³ (15,6 m ³)
22 kW (2 generadores de vapor de 11 kW)	634 ft ³ (18,0 m ³)
26 kW (2 generadores de vapor de 13 kW)	894 ft ³ (25,3 m ³)
30 kW (2 generadores de vapor de 15 kW)	1000 ft ³ (28,3 m ³)

2. Determine la ubicación de los cabezales de vapor



*Aplica a cabezales de vapor cuadrados y redondos.

⚠ AVISO: Riesgo de sufrir lesiones personales. No instale la interface del usuario para el control de vapor fuera del recinto de vapor. La interface del usuario debe ser instalada dentro del recinto para que los sensores regulen la temperatura y controlen el flujo de vapor.

⚠ AVISO: Riesgo de sufrir quemaduras. No bloquee el cabezal de vapor ni lo ubique cerca de un asiento o de una banca, ya que el cabezal de vapor está caliente cuando está funcionando y puede quemar al usuario.

¡IMPORTANTE! No instale el controlador directamente sobre o en línea con el cabezal de vapor.

AVISO: Al instalar el kit del controlador, deje lugar en el cable de control para un lazo de goteo. El lazo de goteo evita que la humedad siga el cable de control hasta el generador de vapor.

NOTA: Todas las dimensiones deben tomarse desde el interior de la ducha. Consulte más información de dimensiones y de instalación en las instrucciones de instalación del cabezal y del controlador de vapor.

- Los cabezales de vapor dobles se pueden instalar en paredes opuestas para mejorar la distribución del vapor.
- Determine el lugar para el cabezal de vapor. Ubique los cabezales de vapor a 6" (152 mm) sobre el piso de la ducha. El lugar para el cabezal de vapor debe estar a menos de 25' (7,62 m) del generador de vapor.
- Determine el lugar para el cabezal de vapor. Consulte las instrucciones de instalación del cabezal de vapor.
- En instalaciones de cabezal de vapor sencillo, determine el lugar para la interface del usuario del controlador de vapor en la pared opuesta al cabezal de vapor.
- En instalaciones de cabezales de vapor dobles, determine el lugar para la interface del usuario del controlador de vapor en una pared distinta a la de los cabezales de vapor. Ubique la interface del usuario lo más lejos que sea práctico de los cabezales de vapor.
- Ubique la interface del usuario de control de vapor a 60" (1524 mm) sobre el piso de la ducha.
- Verifique que haya espacio libre adecuado entre las líneas de vapor y todas las superficies circundantes.

3. Instale el suministro eléctrico

Modelo	K-32328-NA	K-32329-NA	K-32334-NA	K-32335-NA
Tamaño del generador	13 kW	15 kW	26 kW (2 generadores de vapor de 13 kW)	30 kW (2 generadores de vapor de 15 kW)
Servicio eléctrico requerido				
Circuito #1 dedicado al generador	240 V, 80 A, 50/60 Hz	240 V, 90 A, 50/60 Hz	240 V, 80 A, 50/60 Hz	240 V, 90 A, 50/60 Hz
Circuito #2 dedicado al generador	n/d	n/d	240 V, 80 A, 50/60 Hz	240 V, 90 A, 50/60 Hz
Capacidad eléctrica del producto	240 V, 59 A, 60 Hz	240 V, 68 A, 60 Hz	*240 V, 59 A, 60 Hz	*240 V, 68 A, 60 Hz

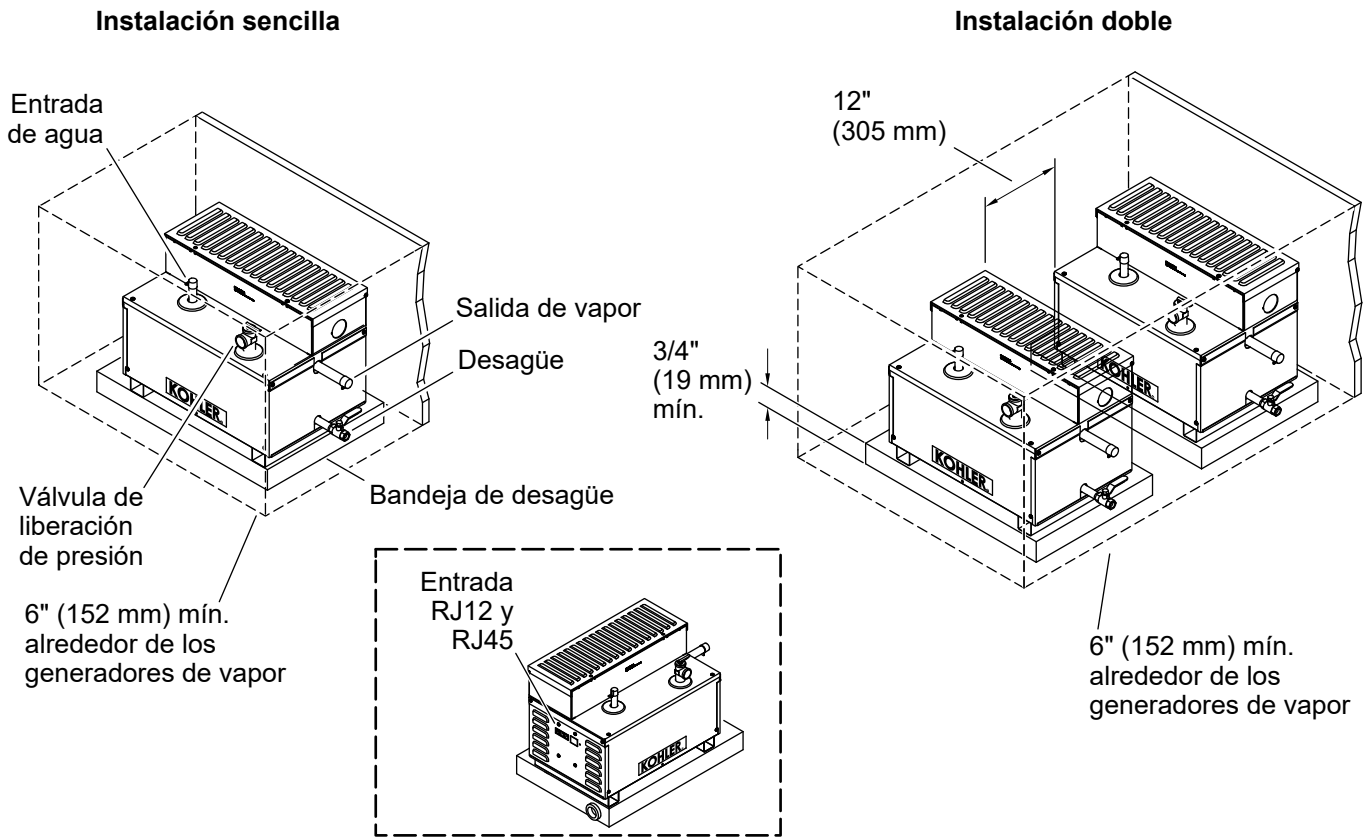
***Solo para instalaciones dobles:** Cada generador de vapor requiere un circuito dedicado clasificado a 240 V, 60 A, 60 Hz.

 **AVISO: Riesgo de electrocución.** Desconecte toda la corriente antes de realizar estos pasos de instalación.

AVISO: Cada generador de vapor requiere un circuito dedicado. Las instalaciones de generadores de vapor dobles requieren un segundo circuito dedicado.

- Cumpla todos los códigos locales de plomería, construcción y eléctricos. Todo el trabajo eléctrico debe hacerlo un electricista capacitado.
- En la tabla anterior, busque los requisitos de suministro eléctrico para su generador de vapor.
- Instale el suministro eléctrico apropiado (instale 2 suministros dedicados para instalaciones de generadores de vapor dobles).

4. Instale el generador de vapor



⚠ AVISO: Riesgo de ocasionar daños a la propiedad. En todo momento debe haber un mínimo de 6" (152 mm) de espacio libre alrededor del generador de vapor. Esto proporciona un área para que se disipe el calor generado por la unidad.

¡IMPORTANTE! Instale el generador de vapor en un lugar bien ventilado y con temperatura controlada.

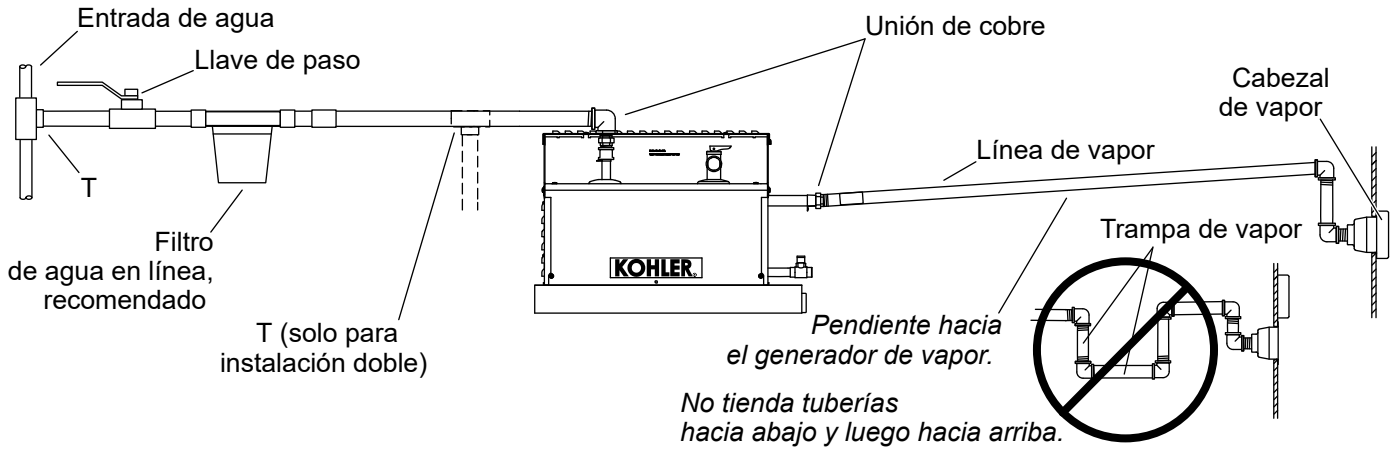
AVISO: Para obtener el mejor rendimiento, instale el generador de vapor lo más cerca posible al cabezal de vapor. El generador de vapor debe instalarse a menos de 25' (7,62 m) del cabezal de vapor.

Instale la bandeja de desagüe deseada en el lugar del generador de vapor. Kohler Co. recomienda usar una bandeja de desagüe marca KOHLER.

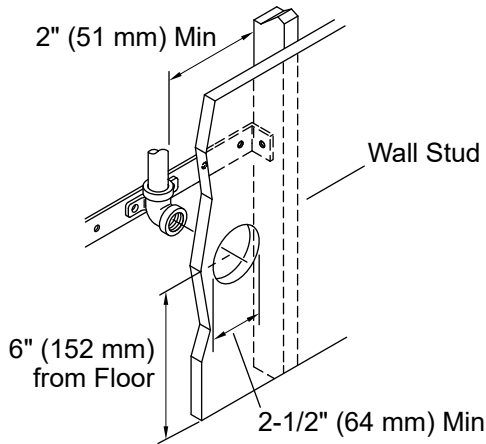
¡IMPORTANTE! Si NO se está usando una bandeja de desagüe marca KOHLER, construya los bloques de soporte con material resistente al calor.

Coloque el generador de vapor sobre los bloques de soporte.

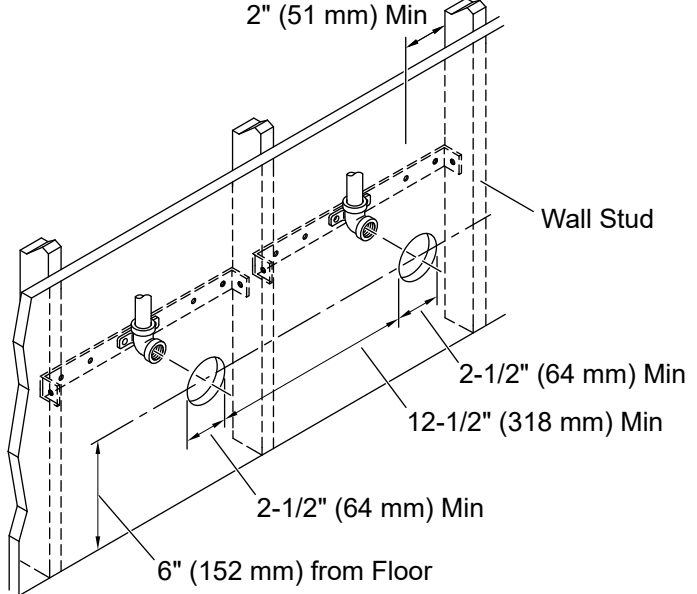
5. Instale la línea de agua y la de vapor



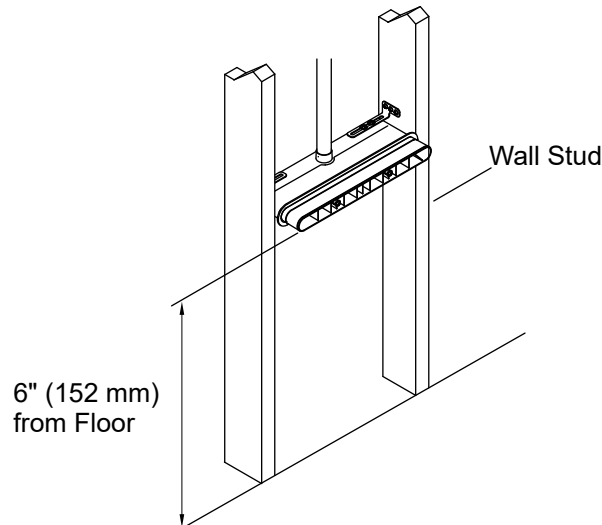
Single Steam Head*




Dual Steam Head*





Linear Steam Head




*Aplica a cabezales de vapor cuadrados y redondos.

 **AVISO: Riesgo de sufrir lesiones personales o causar daños a la propiedad.** No instale la válvula de liberación de presión en la línea de vapor. Instalar la válvula de liberación de presión en la línea de vapor puede crear un peligro si se bloquea u obstruye la línea de vapor.

 **AVISO: Riesgo de sufrir quemaduras.** No instale un sifón, una llave de paso, o una válvula de liberación de presión en la línea de vapor. Puede ser peligroso instalar la válvula de liberación de presión en la línea de vapor si se tapa la salida de vapor.

 **AVISO: Riesgo de sufrir quemaduras.** No conecte la salida de la válvula de desagüe a la línea de vapor. Verifique que no haya valles ni pendientes en la línea de vapor.

 **AVISO: Riesgo de sufrir lesiones personales o de causar daños a la propiedad.** No dirija la válvula de liberación de presión hacia el recinto. En caso de que se active la válvula de liberación de presión, el agua caliente podría rociar y ocasionar quemaduras al usuario y/o daños al recinto. Por lo tanto, la válvula de liberación de presión debe dirigirse hacia un área donde no se ocasionen daños por contacto con agua caliente, y debe cumplir los códigos de plomería nacionales y locales.

Información del modelo del producto

Modelo	K-32328-NA	K-32329-NA	K-32334-NA	K-32335-NA
Pesa	53 lb (24 kg)	53 lb (24 kg)	106 lb (48,1 kg)	106 lb (48,1 kg)
Suministro de agua	Línea de cobre de 1/2 pulg	Línea de cobre de 1/2 pulg	Línea de cobre de 1/2 pulg	Línea de cobre de 1/2 pulg
Línea de vapor	Línea de cobre de 1/2 pulg	Línea de cobre de 1/2 pulg	Línea de cobre de 1/2 pulg	Línea de cobre de 1/2 pulg
Válvula de liberación de presión (suministrada)	Rosca hembra de 3/4 NPT	Rosca hembra de 3/4 NPT	Rosca hembra de 3/4 NPT	Rosca hembra de 3/4 NPT
Válvula de la línea de desagüe	3/8 NPT	3/8 NPT	3/8 NPT	3/8 NPT

Instale la línea de agua al generador


¡IMPORTANTE! El generador de vapor es compatible con instalaciones que requieren un amortiguador de golpe de ariete o una válvula de reducción de presión para obtener el rendimiento óptimo.

NOTA: En todas las conexiones roscadas NPT, use cinta para tuberías o sellador para tuberías. No apriete demasiado los conectores.

- Conecte a una línea de agua fría ya instalada, y tienda una línea de agua fría de 1/2 pulg a una llave de paso antes del filtro de agua en línea.
- Antes de hacer la conexión final al generador de vapor, descargue la línea de suministro de agua en un balde grande. Esto elimina todos los desperdicios, el cieno, la arena y otros materiales que pudiera haber en la línea. Verifique que el tamiz del filtro esté en su lugar en el tubo de entrada de agua.
- Instale tubería de cobre de 1/2 pulg con un conector de unión (incluido con el generador de vapor) lo más cerca posible al generador de vapor.
- Conecte la línea de suministro de agua al generador de vapor.

- Abra el suministro de agua y llene con agua el generador de vapor. Revise que no haya fugas.
- Verifique que la válvula de desagüe de agua en el generador esté cerrada.
- Si la línea de suministro de agua queda expuesta a áreas frías, aisle las tuberías para evitar que se congelen.

Instale la línea de vapor

 **AVISO: Riesgo de sufrir quemaduras.** No bloquee el cabezal de vapor ni lo ubique cerca de un asiento o de una banca, ya que el cabezal de vapor está caliente cuando está funcionando y puede quemar al usuario.

AVISO: No instale la pendiente de la línea de vapor hacia abajo, y luego hacia arriba. Si la pendiente de la línea de vapor baja y luego sube, el vapor queda atrapado y se bloquea el flujo del vapor. Instale la línea de vapor inclinada hacia el cabezal de vapor, a una pendiente de 3/8" (10 mm) a 1/2" (13 mm) por cada 12" (305 mm) de tubería.

AVISO: Deje espacio libre entre la pared posterior y el codo que lleva a la caja de vapor. El codo no debe hacer contacto con ningún material de pared.

AVISO: Deje espacio libre entre la línea de vapor y todas las superficies circundantes.

AVISO: Al soldar las conexiones, no aplique calor excesivo a las conexiones del generador. No aplique fundente ni ácidos directamente al generador de vapor, pues se pueden dañar los sellos, los componentes de plástico y el acabado de la guarnición. No aplique lubricantes derivados del petróleo a los componentes del generador de vapor, pues se podrían ocasionar daños.

NOTA: Use cinta selladora de roscas o sellador de tuberías en las conexiones roscadas. No apriete demasiado los conectores.

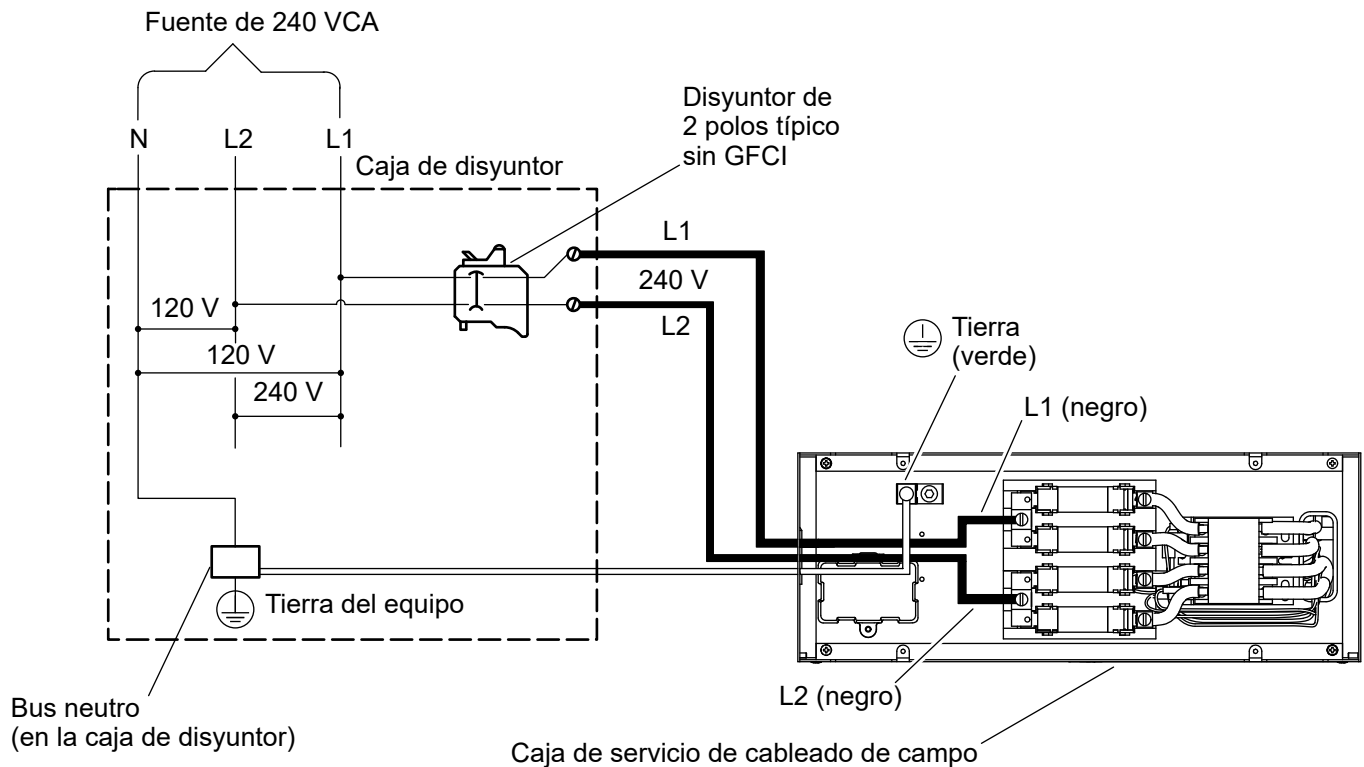
NOTA: Use tubo de cobre de 1/2 pulg para la línea de vapor.

NOTA: Para obtener el mejor rendimiento, siempre que sea posible use codos de 45° en la línea de vapor. El uso de codos de 90° puede causar un aumento en la condensación en la línea de vapor.

NOTA: Siempre instale un conector de unión (incluido) lo más cerca posible al generador de vapor.

- Agregue bloques detrás del lugar deseado para el cabezal de vapor.
- Instale y fije un codo de 1/2 NPT al bloque, directamente detrás del lugar deseado para el cabezal de vapor.
- Instale un niple temporal de cobre de 1/2 pulg que sobresalga de la pared acabada.

6. Conecte el suministro eléctrico



⚠ AVISO: Riesgo de electrocución. Desconecte toda la corriente antes de realizar estos pasos de instalación.

¡IMPORTANTE! NO use tuercas para cables para las conexiones del suministro eléctrico.

¡IMPORTANTE! Verifique que el suministro de agua al generador de vapor esté abierto antes de conectar el suministro eléctrico.

AVISO: Todo el trabajo eléctrico debe hacerlo un electricista capacitado.

AVISO: Todo el cableado eléctrico debe hacerse de acuerdo a los códigos locales.

AVISO: Cada generador de vapor requiere un circuito dedicado. Las instalaciones de generadores de vapor dobles requieren un segundo circuito dedicado.

NOTA: No se incluyen las mordazas para cables, el cableado de campo, ni el disyuntor.

- Corte toda la electricidad al área de trabajo en el panel principal de disyuntores.
- Conecte una línea eléctrica de 240 VCA a los cables etiquetados "L1", "L2", y al cable de tierra que sale de la caja de servicio del cableado de campo.
- Confirme que se haya hecho la conexión a tierra en la caja de servicio del cableado de campo.
- Cierre la caja de servicio del cableado de campo.

- Encienda el suministro eléctrico principal.
- En la pantalla digital debe aparecer "Ld" o "Hd". Si la pantalla digital no está iluminada, consulte la sección "Resolución de problemas" o comuníquese con el Centro de Atención al Cliente.

7. Complete la instalación

E
S

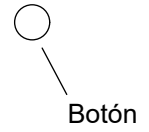
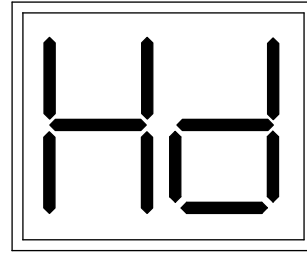
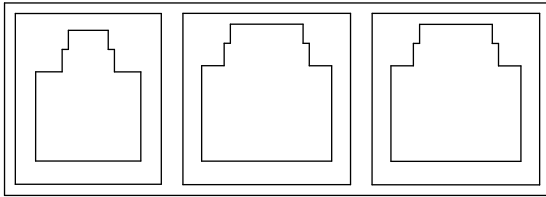


Etiqueta de advertencia

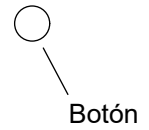
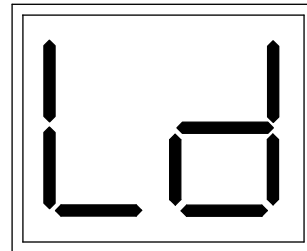
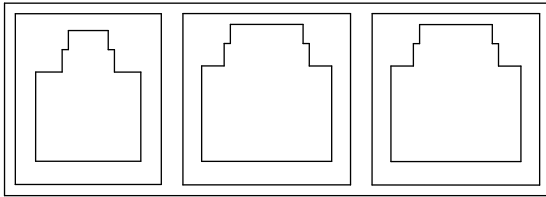
- Retire el protector del adhesivo de la etiqueta de advertencia provista, y aplique la etiqueta a la pared de la ducha o al recinto de vapor.
- Instale la caja de vapor y el cabezal de vapor de acuerdo a las instrucciones de instalación empacadas con el cabezal de vapor o con el controlador de vapor.
- Retire la cinta adhesiva amarilla de las entradas de cables de control.
- Instale el controlador de vapor de acuerdo a las instrucciones empacadas con el controlador de vapor.
- Para usar el controlador de vapor, siga las instrucciones de funcionamiento incluidas con el controlador de vapor.

Cómo habilitar o inhabilitar el calentador de respuesta rápida

Calentador de respuesta rápida habilitado



Calentador de respuesta rápida inhabilitado



¡IMPORTANTE! Si este generador de vapor va a ser instalado en un lugar a 6000' (1829 m) sobre el nivel de mar, es necesario inhabilitar el calentador de respuesta rápida.

- Oprima el botón junto a la pantalla digital para habilitar o inhabilitar el calentador de respuesta rápida.

Resolución de problemas

⚠ PRECAUCIÓN: Riesgo de sufrir lesiones personales. Los pasos de resolución de problemas que impliquen cableado interno o conexiones eléctricas debe hacerlos un electricista capacitado.

NOTA: Los siguientes pasos de resolución de problemas solo se aplican al generador de vapor en sí. En el caso de asuntos que impliquen el controlador de vapor, consulte la sección "Resolución de problemas" de las instrucciones del controlador de vapor.

NOTA: Para consultar información sobre piezas de repuesto, visite la página de su producto en kohler.com/serviceparts.

Esta guía de resolución de problemas está diseñada únicamente como ayuda general. Si tiene preguntas con respecto al servicio y a la instalación, llame a 1-800-4KOHLER.

Códigos de error

Código de error	Descripción
01	El nivel de agua es bajo, lo que ocasiona que aumente la temperatura.
02	El generador de vapor está a una temperatura inferior a la esperada.
03	El generador de vapor está a una temperatura inferior a la esperada.
04	El generador de vapor está a una temperatura superior a la esperada.
05	El generador de vapor está a una temperatura superior a la esperada.
08	Error de comunicación.
10	Falla eléctrica de la válvula de vapor.
20	Falla mecánica de la válvula de vapor. Consulte la siguiente sección "Resolución de problemas de códigos de error".
30	Falla eléctrica de la válvula de autolimpieza.
40	Falla mecánica de la válvula de autolimpieza. Consulte la siguiente sección "Resolución de problemas de códigos de error".
50	Falla del sensor de nivel de agua.
60	Falla del relé del calentador principal.
70	Falla del calentador principal.
80	Falla del calentador de respuesta rápida.
90	El botón del panel de control se queda pegado.

Resolución de problemas de códigos de error

Código de error	Causa probable	Acción recomendada
20	A. La llave de paso de suministro está cerrada. B. La válvula de desagüe está abierta. C. Falla mecánica de la válvula de vapor.	A. Verifique que la llave de paso de suministro esté abierta. B. Verifique que la válvula de desagüe esté cerrada. C. Comuníquese con el Centro de Atención al Cliente.

Código de error	Causa probable	Acción recomendada
40	<p>A. La llave de paso de suministro está cerrada.</p> <p>B. La válvula de desagüe está abierta.</p> <p>C. Falla mecánica de la válvula de autolimpieza.</p>	<p>A. Verifique que la llave de paso de suministro esté abierta.</p> <p>B. Verifique que la válvula de desagüe esté cerrada.</p> <p>C. Comuníquese con el Centro de Atención al Cliente.</p>

Resolución de problemas de instalación

Síntomas	Causas probables	Acción recomendada
1. La pantalla digital está apagada y no sale vapor del cabezal de vapor.	<p>A. No hay suministro eléctrico al generador de vapor.</p> <p>B. El disyuntor está en la posición de apagado "Off".</p> <p>C. El disyuntor no es del tamaño correcto.</p> <p>D. La conexión eléctrica en la caja de servicio de campo del generador de vapor está suelta.</p>	<p>A. Restablezca el suministro eléctrico en el interruptor de circuito. Haga que un electricista capacitado verifique que haya suministro eléctrico de 240 V en el generador de vapor.</p> <p>B. Desconecte el suministro eléctrico en el disyuntor.</p> <p>C. Verifique que el disyuntor sea del tamaño correcto. Cambie el disyuntor si es del tamaño incorrecto.</p> <p>D. Apague el suministro eléctrico al generador de vapor. Haga que un electricista capacitado abra la caja de servicio de campo del generador de vapor, y que revise y repare las conexiones.</p>
2. La pantalla digital indica un código de error y no sale vapor del cabezal de vapor. Consulte la lista de códigos de error en la sección "Códigos de error".	<p>A. El suministro de agua está cerrado.</p> <p>B. La rejilla de entrada está tapada.</p> <p>C. Contrapresión excesiva causada por un tendido demasiado largo de tubería o por demasiados codos de 90°.</p> <p>D. El control de vapor no está conectado.</p>	<p>A. Abra el suministro de agua.</p> <p>B. Retire las rejillas de la entrada, y límpielas.</p> <p>C. Mueva el generador de vapor más cerca al cabezal de vapor o use codos de 45°.</p> <p>D. Revise las conexiones de cableado de acuerdo a las instrucciones de instalación del controlador de vapor. De ser necesario, use el kit de resolución de problemas que se adjunta para resolver los problemas de conexión.</p>
3. Sale vapor del cabezal de vapor, pero el controlador de vapor está apagado.	<p>A. Elevaciones sobre 6000' (1829 m) sobre el nivel del mar pueden causar que el agua hierva a temperaturas más bajas.</p>	<p>A. Inhabilite el calentador de respuesta rápida. Consulte la sección "Cómo habilitar o inhabilitar el calentador de respuesta rápida".</p>

Conformidad

Este dispositivo cumple lo establecido en la parte 15 de las normas de la FCC. Su funcionamiento está sujeto a las siguientes dos condiciones: (1) que este dispositivo no cause interferencia perjudicial y (2) que acepte cualquier interferencia, incluida la que pueda causar funcionamiento no deseado.

Cualquier modificación o cambio sin aprobación expresa de la parte responsable del cumplimiento podría invalidar el derecho del usuario a utilizar el equipo.

Este equipo ha sido probado, y se ha encontrado que satisface los límites de un aparato digital Clase B, de acuerdo a la parte 15 de las normas de la FCC. Estos límites están diseñados para ofrecer protección razonable contra interferencia perjudicial en una instalación residencial. Este equipo genera, usa y puede radiar energía de radiofrecuencia y, si no se instala y utiliza en cumplimiento de las instrucciones, puede causar interferencia perjudicial a las comunicaciones de radio. Sin embargo, no se garantiza que la interferencia no pudiera ocurrir en una instalación en particular. Si este equipo causa interferencia perjudicial a la recepción de radio o televisión, lo que se puede determinar al encender y apagar el equipo, se le recomienda al usuario que trate de corregir la interferencia mediante una de las siguientes medidas:

- Cambiar la orientación o el lugar de la antena receptora.
- Aumentar la separación entre el equipo y el receptor.
- Conectar el equipo a un tomacorriente en un circuito diferente al que utiliza el receptor.
- Consultar al distribuidor o a un técnico con experiencia en radio y televisión, para obtener ayuda.

Este aparato digital Clase B cumple la norma canadiense ICES-003.

[kohler.com](https://www.kohler.com)

THE BOLD LOOK
OF **KOHLER**®

©2024 Kohler Co.



1601845-2

1601845-2-B