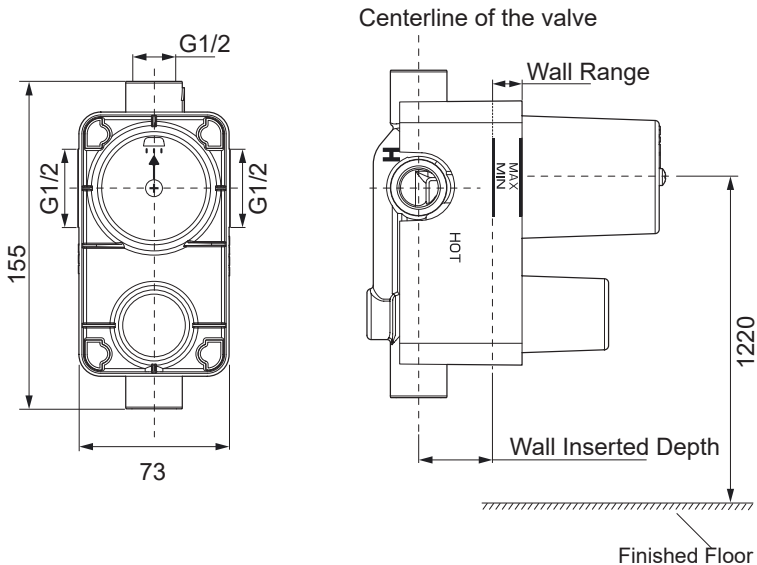


**882IN-NA, 882IN-FLX
MANUAL VALVE**

ROUGH-IN (in mm)



PRESSURE AND INLET TEMPERATURE

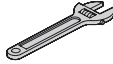
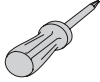
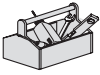


P (Bar) 0.5 < 3 < 5.5



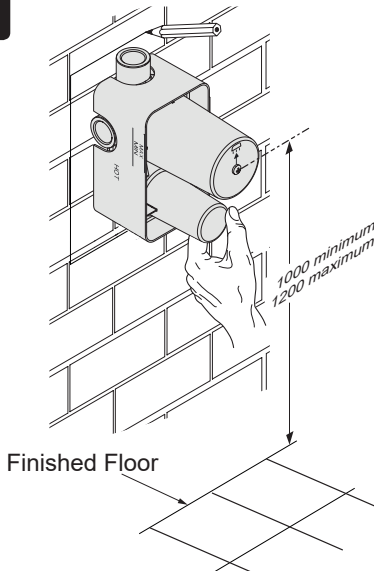
T (°C) < 65

TOOLS REQUIRED

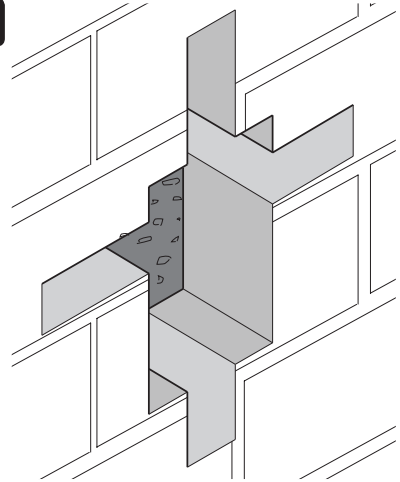


INSTALLATION INSTRUCTIONS

1



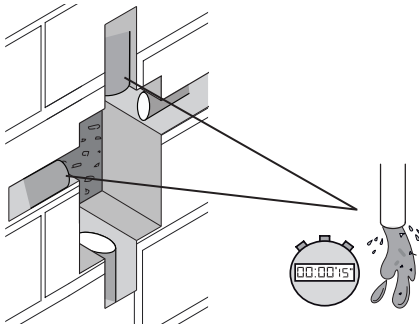
2



The depth of the cutout should be justified by the plumber according to the Rough-in.

3

Finish all the pipework for inlet and outlet.

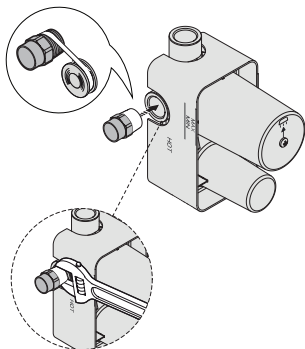


Turn ON the water supply for 15 seconds.

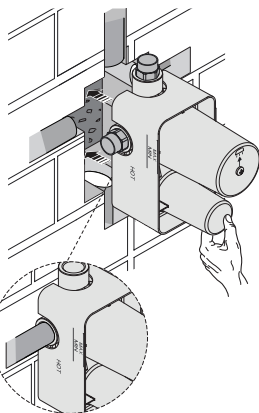
NOTE: Flush all the debris and dirt from the pipes before valve installation.

4 Finish the valve installation.

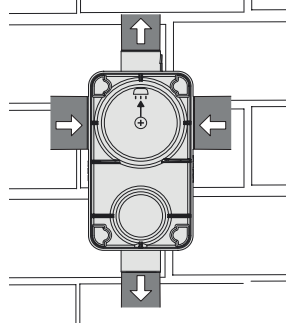
a.



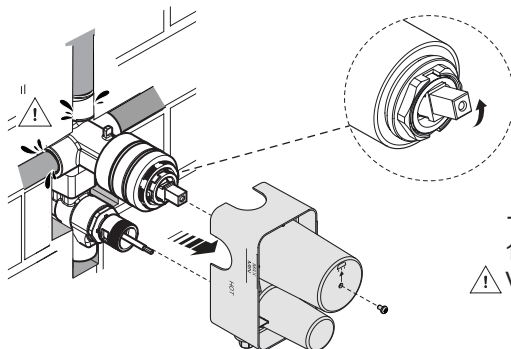
b.



c.



5 Remove the cover and tilt the lever in an upward direction.



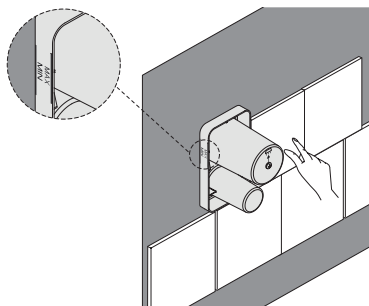
Turn ON the water supply for 1 minute and check for leakage.
⚠ Verify that there is no leakage.

NOTE: Your product may appear different than the one illustrated. The installation procedure is the same.

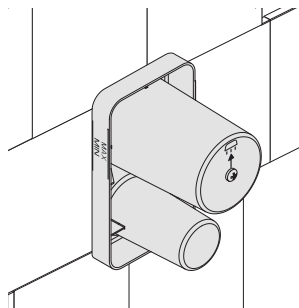


6 Tilt the lever in a downward direction and reinstall the cover. Finish the valve installation by cementing and tiling the wall.

a.

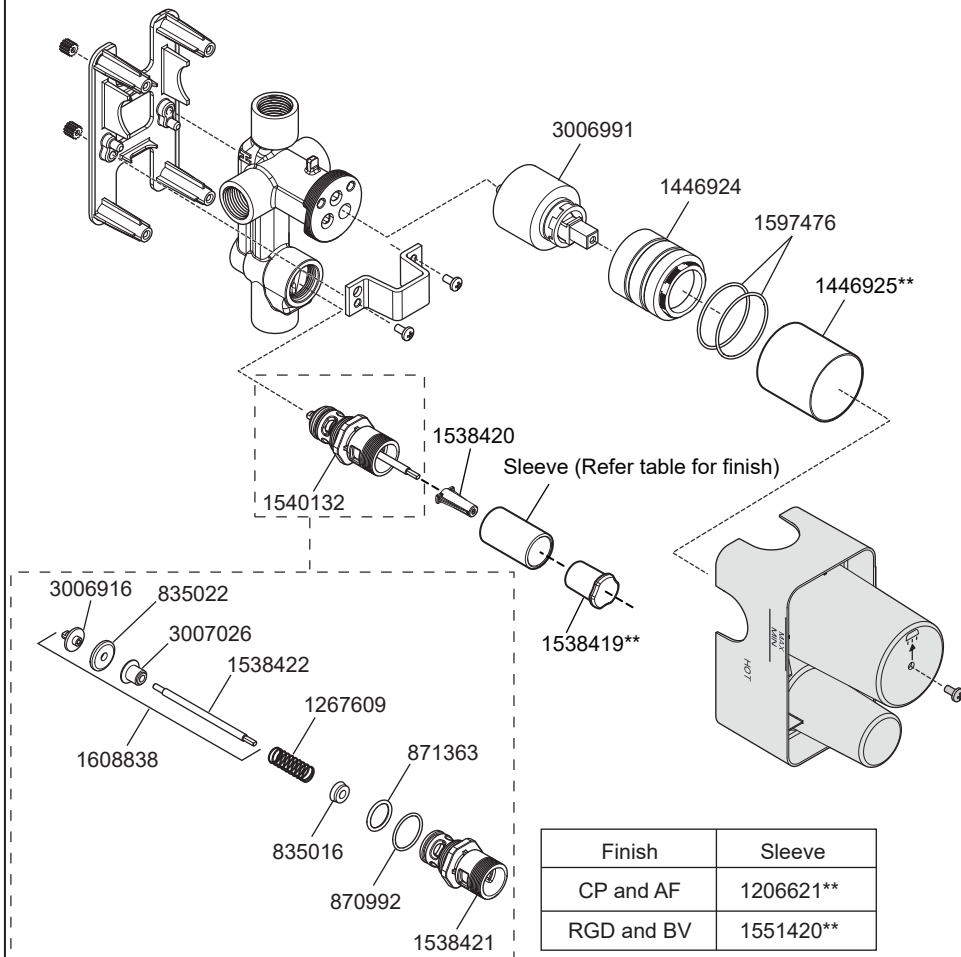


b.



NOTE: Maintain the finished wall surface according to Min-Max marking.

SERVICE PARTS



** Finish code must be specified while ordering.

THE BOLD LOOK
OF **KOHLER**®

Kohler India Corporation Pvt. Ltd.

6th Floor, Office Tower, Ambience Island,
NH-8, Gurugram-122002, Haryana, INDIA.
Customer Care : 1800 103 2244 (Toll Free) &
+91-124-4319685 / 86

Email : indiacustomer@kohler.com
Website: www.kohler.co.in

All information is based on the latest product information available at the time of publication. Kohler Co. reserves the right to make changes in product characteristics, packaging, or availability at any time without notice.