

Installation Instructions

Pneumatic Faceplate

Record your model number: _____

KOHLER®

Thank You for Choosing KOHLER

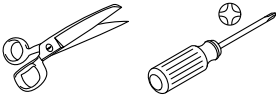
Need help? Contact our Customer Care Center.

- Email: indiacustomercare@kohler.com
- Call: 1800-103-2244

Warranty

This product is covered under the **KOHLER® India Sanitaryware and Bathing Products Limited Warranty**, found at kohler.co.in/warranty. For a hardcopy of warranty terms, contact the Customer Care Center.

Tools and Materials

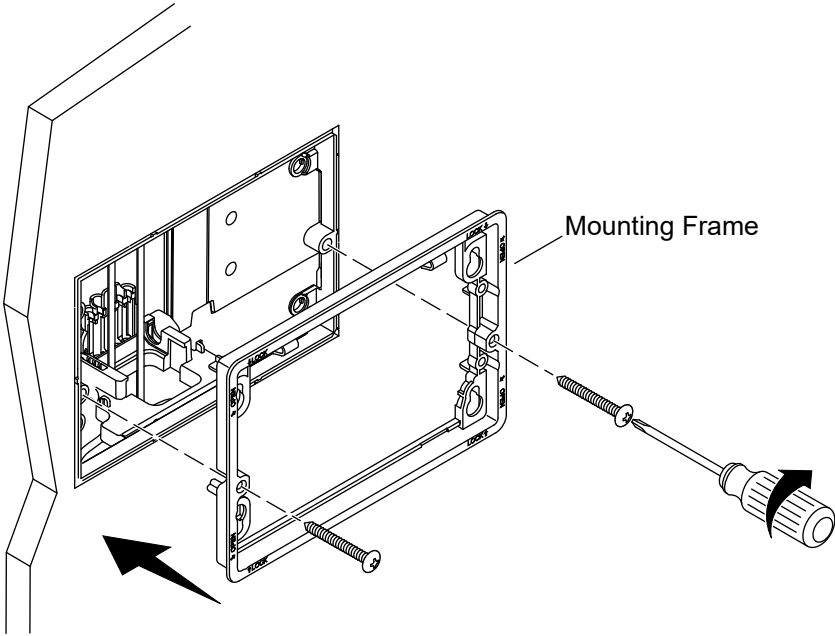


Before You Begin

The finished wall must be in place before installing the pneumatic faceplate.

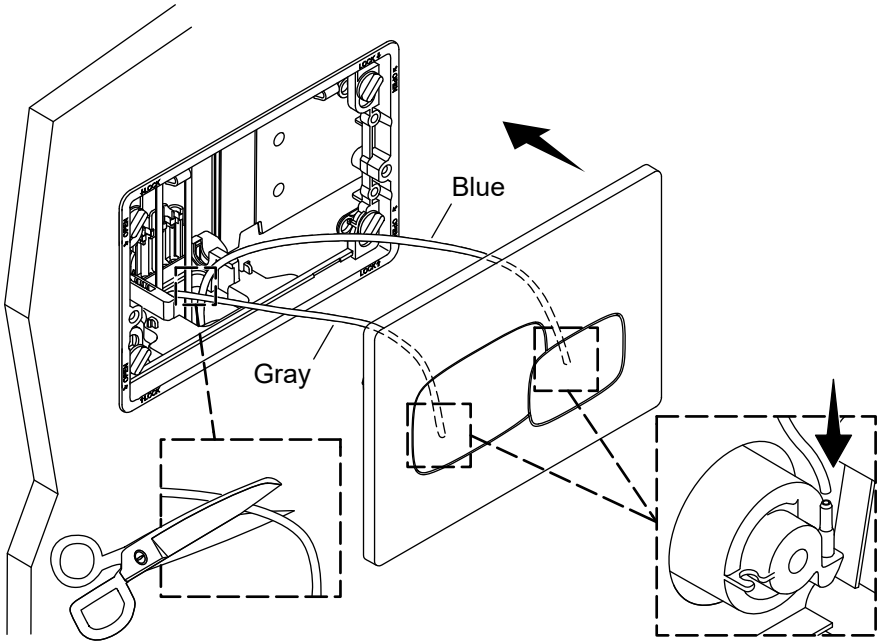
Follow all local plumbing and building codes.

1. Install the Mounting Frame



- Align the mounting frame over the tank opening.
- Tighten the screws to secure the mounting frame in position.

2. Connect the Hoses

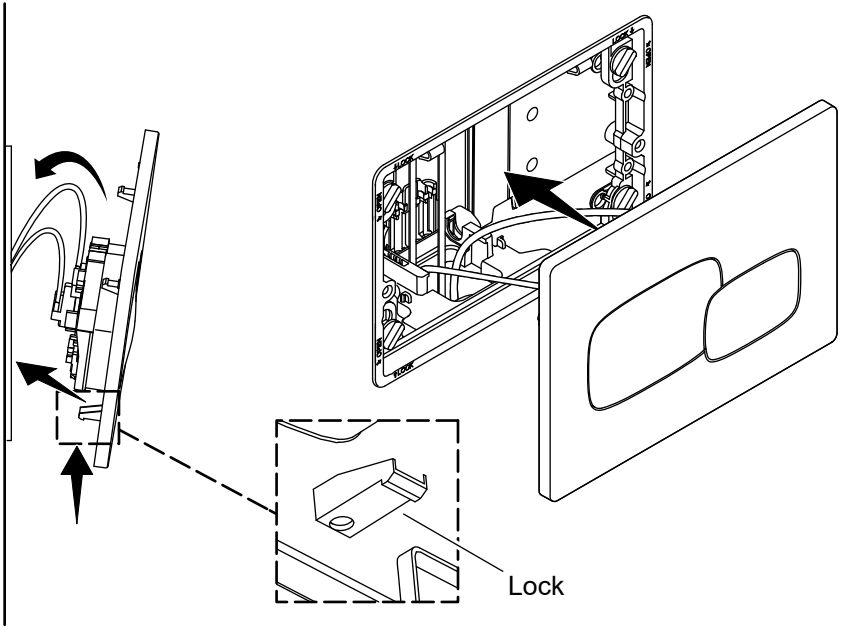


IMPORTANT! Verify that the hoses do not get pinched by the faceplate.

NOTE: Cut the hoses as needed, so that the hoses do not fold.

- Connect the full-flush hose (gray) to the port on the back of the full flush button.
- Connect the half-flush hose (blue) to the port on the back of the half flush button.

3. Install the Faceplate



- Insert the lock at the bottom of the faceplate into the slot on the mounting frame.
- Press the top side of the faceplate into position.
- Verify that the faceplate clicks into position.

[kohler.com](https://www.kohler.com)

THE BOLD LOOK
OF **KOHLER**®

©2024 Kohler Co.



1608904-IN2

1608904-IN2-A