



BEFORE YOU BEGIN

- Please read these instructions carefully to familiarize yourself with the required tools, materials, and installation sequences. Follow the sections that pertain to your particular installation. This will help you avoid costly mistakes. In addition to proper installation, read all operating and safety instructions.
- All information in these instructions is based upon the latest product information available at the time of publication. Kohler China reserves the right to make changes in product characteristics, packaging, or availability at any time without notice.
- These instructions contain important care, cleaning, and warranty information - **please leave instructions for the consumer.**
- Observe all local plumbing and building codes.
- Carefully inspect the new urinal for damage.
- Site preparation may require additional tools and hardware.
- Fixture dimensions are nominal and conform to tolerances established by ASME Standards (A112.19.2-2018).
- The product complies with GB/T 6952-2015, GB 28377-2019.

 **CAUTION: Risk of personal injury or product damage.** Handle with care. Vitreous china can break or chip if the product is handled carelessly.

安装之前

- 请通读本说明书，以便了解所需工具、材料及安装程序。请遵照相关章节进行安装，以避免由于安装不当而导致不必要的损失。除了有关正确的安装方法之外，还务请详阅所有操作及安全说明。
- 本说明书所含一切资料，均以印刷时所有的最新产品为准，科勒中国保留随时更改产品特性、包装或供应情况的权利，恕不另行通知。
- 本说明书也包含了有关护理、清洁及保养等重要资料 - 请交予用户保存。
- 遵守当地所有给排水及建筑规定。
- 仔细检查新的小便器是否损坏。
- 准备场地可能要求附加工具和硬件。
- 部件尺寸为标定值，误差符合美国ASME标准(A112.19.2-2018)。
- 本产品符合GB/T 6952-2015、GB 28377-2019。

 **警告：**可能有人身伤害或产品损坏的危险。小心处理，若有所马虎，陶瓷件可能碎裂。

ORDERING INFORMATION

STRUKTURA WH Urinal (Top)
(0.5L/1L/2.5L)K-5777T-2ET
STRUKTURA WH Urinal (Rear)
(0.5L/1L/2.5L)K-5777T-2ER

订购资料

科瑞挂墙式超级节水型小便器(上进水)
(0.5L/1L/2.5L)K-5777T-2ET
科瑞挂墙式超级节水型小便器(后进水)
(0.5L/1L/2.5L)K-5777T-2ER

RECOMMENDED TOOLS AND MATERIALS (NOT SUPPLIED)

- Open end/adjustable wrenches
- Tape measure
- Basin wrench
- Pipe wrench
- Square
- Level
- Pliers
- Socket wrench with sockets
- Screw driver
- Seal tape
- Connection wire
- Wire cutter
- Insulation tape
- Bushing
- Drill
- Sealant

所需工具及材料(不随货供应)

- 开口/活动扳钳
- 卷尺
- 梅花扳钳
- 管扳手
- 直角尺
- 水平尺
- 老虎钳
- 管钳子
- 十字螺丝刀
- 生料带
- 连接线
- 剥线器
- 绝缘胶布
- 电工套管
- 冲击钻
- 密封胶

No.2 KOHLER ROAD, SANSHUI CENTRAL INDUSTRIAL PARK, LEPING TOWN, SANSHUI DIST., FOSHAN, GUANGDONG, PRC POST CODE: 528137
广东省佛山市三水区乐平镇三水中心工业园区科勒大道2号 邮编: 528137

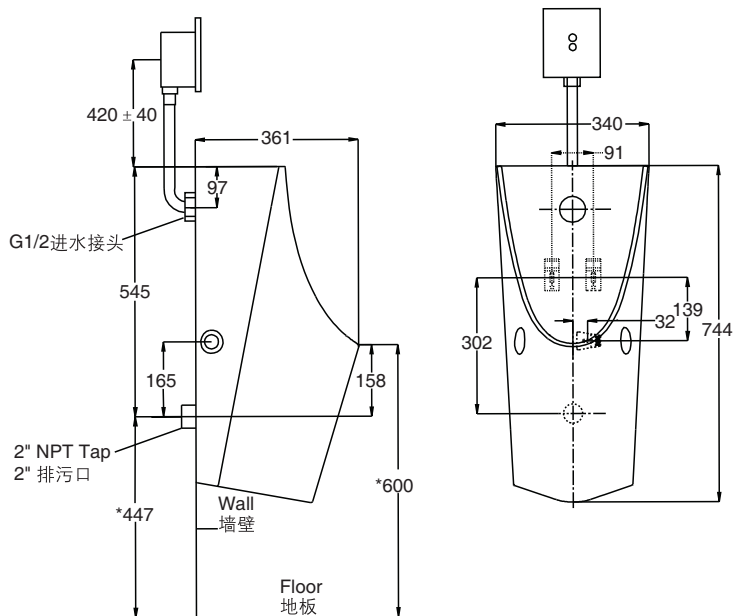
8# MENGSHAN RD, ECONOMIC DEVELOPMENT ZONE OF HUANTAI, ZIBO, SHANDONG, CHINA POST CODE: 256410
山东省淄博市桓台经济开发区蒙山路8号 邮编: 256410

NO.1 KOHLER STREET, ECONOMIC DEVELOPMENT ZONE OF FAKU COUNTY, SHENYANG LIAONING PROVINCE, PRC POST CODE: 110400
辽宁省沈阳市法库经济开发区科勒大街1号 邮编: 110400

Reference Value
参考值

Unit:mm
单位:毫米

K-5777T-2ER



K-5777T-2ET

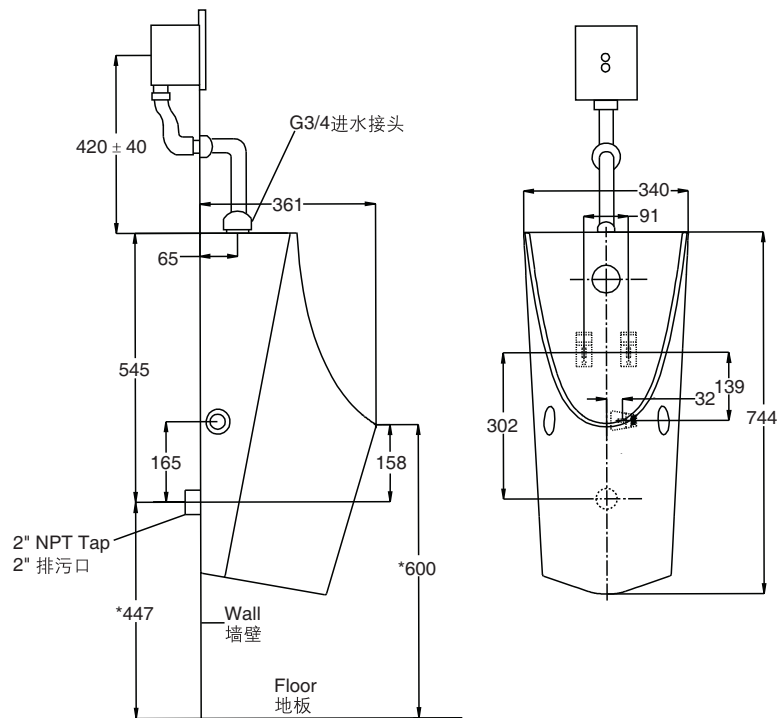


Fig.1
图1

Kohler reserves the right to change marked dimensions without prior notice.
科勒公司保留随时变更图中标示尺寸的权利, 无需另行通知。

Notice: To ensure an effective flush performance, strongly recommended inner diameter of water supply (including water meter, valve, etc.) is no less than 25mm, and supplied water pressure (sensor inlet dynamic pressure) is 0.18MPa ~0.55MPa.

注意: 为保证有效冲洗, 推荐供水管路(包括水表、阀等)内径不小于25mm, 推荐供水水压(冲洗器进水口流动水压): 0.18MPa ~0.55MPa。

PREPARE THE SITE

NOTE: If a pre-existing waste pipe will be used and will result in an acceptable rim height (refer to the rough-in dimensions), follow the retrofit installation instructions.

For Retrofit Installations

- Turn the water supply line off, remove the existing urinal, then cap off the water supply line inside the wall.

For New Installations

- Install waste pipe as necessary to conform to the roughing-in dimensions.
- Install adequate support framing for the hangers as needed.

准备场地

注意: 如果现存的排水管可以使用, 边缘高度符合要求(参考尺寸图), 则参照更换安装说明安装。

对于更换安装

- 关闭水源, 移除现有小便器, 然后封住墙内的供水管线。

对于全新安装

- 如有必要, 根据尺寸图安装排水管。
- 如有需要, 安装有足够承载能力的支撑架。

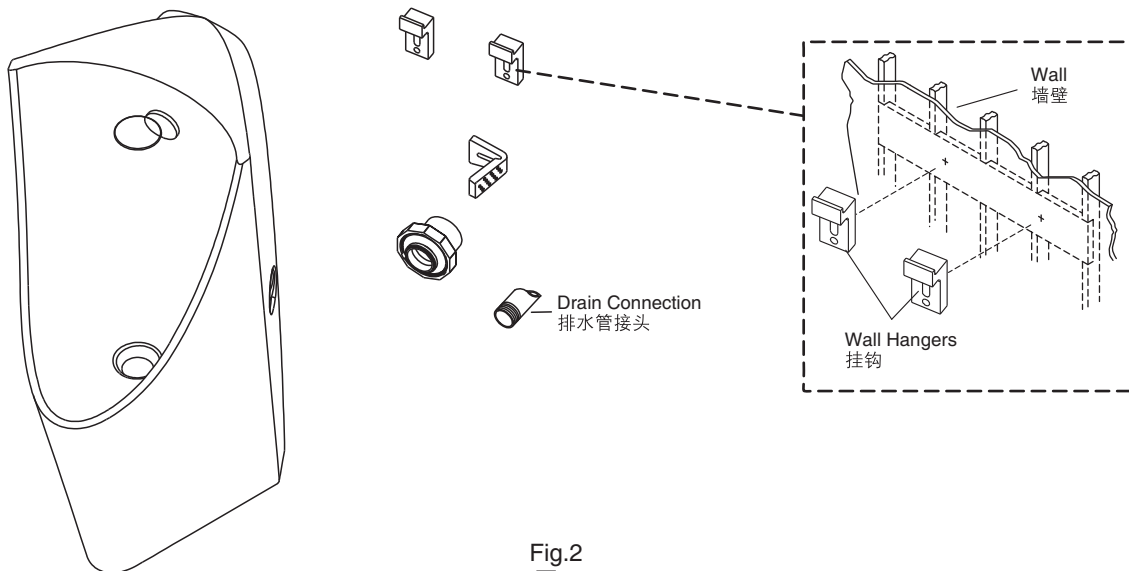


Fig.2
图2

INSTALLATION

安装步骤

A. Install hangers, L shape block and waste pipe connector

A. 安装挂钩、L形固定块和排污管连接头

Drill holes according to template. Install hangers, L shape block and waste pipe connector. (Gasket of waste pipe connector shall be soaked into water for 2 seconds to lubricate.)

按安装模板打孔, 并安装挂钩、L形固定块和排污管连接头。(排污管连接头的密封圈要泡到水两秒钟, 以便润滑)

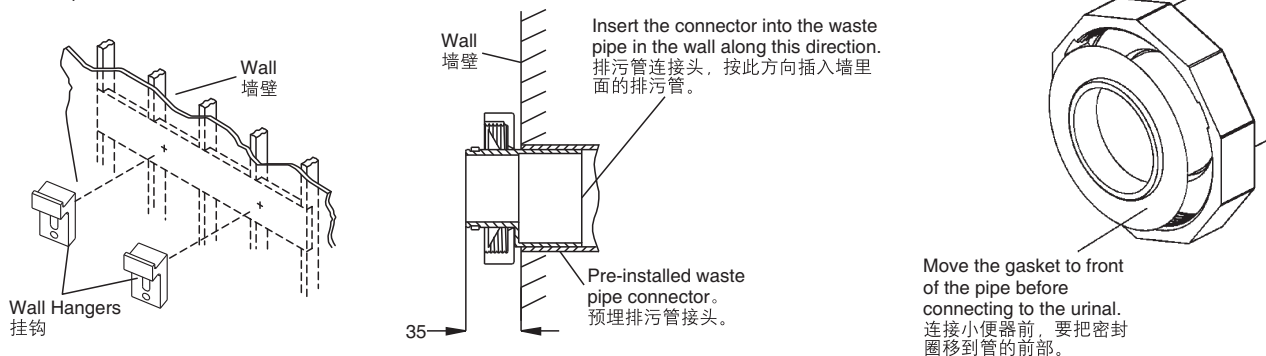


Fig.3
图3

B. Install urinal

1. Check the regulator, see Fig.4. For top inlet urinal, fix the inlet connector as shown, see Fig.5.

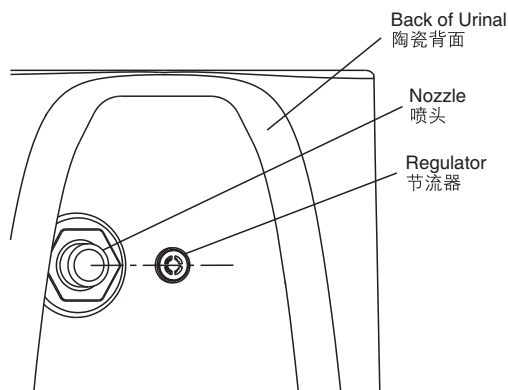


Fig.4
图4

2. Connect inlet pipe: connect with inlet connector and sensor for top inlet urinal(inlet pipe is for purchase as per the sensor type); connect with nozzle and sensor for rear inlet urinal. The inlet pipe shall be long enough(choose and purchase as desired).
3. Hang the urinal onto the hangers.
4. Pull the bottom of the urinal outwards to make space. Align the big nut with the waste pipe and then tighten.
5. Push the urinal against wall and tighten it with screws.
6. Apply silicone sealant between urinal and wall.

B. 安装小便器

1. 检查节流器，确保节流器还在里面，见图4。如果是顶部进水陶瓷，按图接好进水接头，见图5。

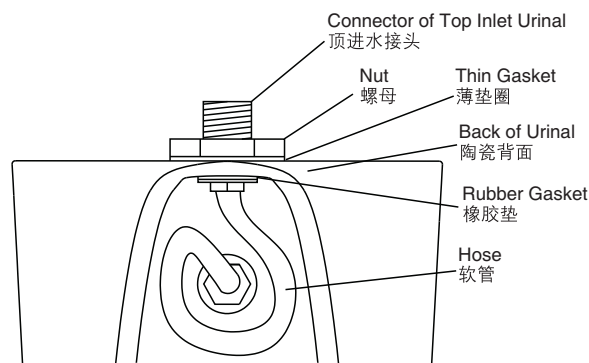


Fig.5
图5

2. 连接进水管：顶部进水的连接进水接头和感应器(进水管要客户根据感应器的类型另外选购)；后部进水的连接喷头和感应器。进水管的长度要足够长(客户根据需要自己配置)。
3. 把小便器挂上挂钩。
4. 把小便器的陶瓷底部往外拉动一定距离，腾出空间，用手把大锁紧螺母对准排污管，并上紧。
5. 把小便器推紧贴墙，然后把螺钉穿过螺钉固定孔，上紧小便器。
6. 在小便器和墙之间打上玻璃胶。

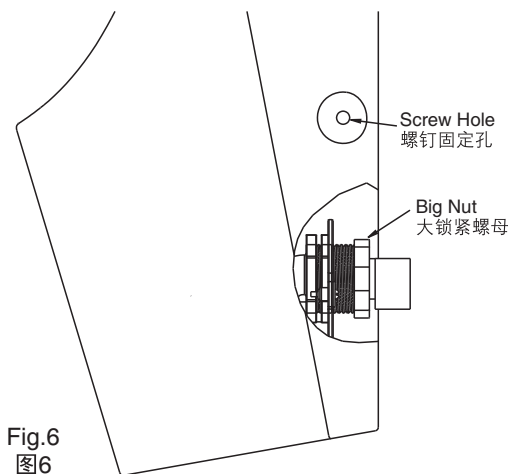


Fig.6
图6

C. Adjust the hanger

1. As shown in the picture below, firmly press the hanger with the bolt through the waist-shaped hole.

C. 调整挂钩

1. 如下图所示，通过挂钩上的腰形孔，用螺栓压紧挂钩。

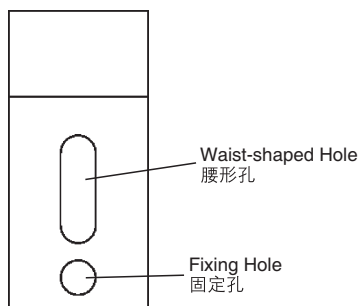


Fig.7
图7

2. As shown in the picture below, if the position of the urinal needs to be adjusted, please take down the urinal and knock the hanger slightly to adjust its position upwards and downwards.

2. 如下图所示，如果小便斗上下位置不合适，请取下小便斗，用锤子轻轻的上下敲击挂钩，调整挂钩的上下位置。

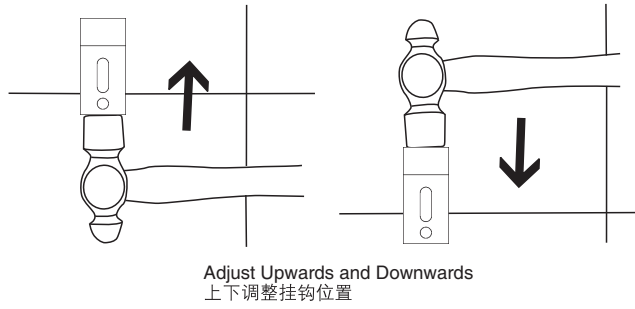


Fig.8
图8

3. After the position of the urinal is decided, completely fix the hanger with the bolt through the fixing holes on the hanger.

3. 确定挂钩位置后，通过挂钩上的固定孔，锁入螺栓使得挂钩完全的固定。

D. Install the drain and the plastic trap

D. 装去水器 and 塑料弯管

1. Put the washer onto the drain and insert it into the hole.
2. Put the gasket and nut on the bottom.

1. 将去水器套上垫圈并插入陶瓷孔。
2. 底部套上橡胶垫圈和锁紧螺母。

NOTE: Do not over screw the nut in this step, because it is to be screwed tight in the next step after the pipe is installed.

注意：锁紧螺母不要旋紧，因为要在下一步安装弯管后才能旋紧。

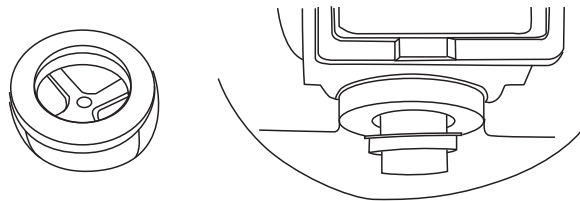


Fig.9
图9

3. Connect the hose with the trap.
4. Screw the trap onto the drain and screw tight.
5. Screw tight the nut of the drain mentioned in step.

3. 连接软管和塑料弯管。
4. 将塑料弯管和去水器旋上拧紧。
5. 旋紧第2步骤的去水器锁紧螺母。

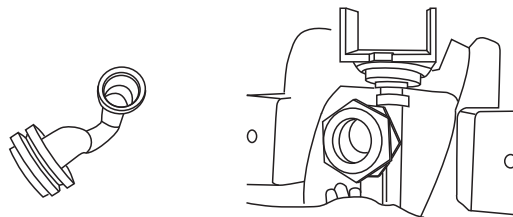


Fig.10
图10

6. Screw on the drain lid.

6. 旋上过滤器盖。



Fig.11
图11

IMPORTANT CONSUMER INFORMATION


用户须知

CONSUMER RESPONSIBILITIES


If you live in a hard water area, make certain that the holes in the toilet rim are kept clean to ensure proper flushing. Toilet bowl cleaners should be used at least once a week. Use a long-handled brush to clean the rim holes, and to clean as far into the trap as possible to prevent mineral deposits from forming.


Most toilet bowl cleaners are not harmful to the vitreous china surface of the urinal. Please follow the bowl cleaner manufacturer's instructions carefully.


Do not use abrasive cleaners or solvents.

 **WARNING: Risk of property or product damage.** Do not use cleaners inside the wash basin. Products containing chlorine (calcium hypochlorite) can seriously damage fittings in the urinal. This damage can cause leakage and property damage.

Kohler Company shall not be responsible or liable for any damage to these urinal fittings caused by the use of cleaners containing chlorine (calcium hypochlorite).

 **WARNING:** Never spit phlegm and throw stub or something else into the urinal.

 **WARNING: Risk of product damage.** Do not throw into the urinal what is easy to block it, such as newspaper, paper pilch. Do not bump the vitreous china with great force to prevent it from damaging and leaking. Do not use the product in the water below 0°C.

 **CAUTION:** Please do not use hard materials (like scouring pad) to clean product surface, especially the product logo.

It is recommended to use sensors of KOHLER brand .

Urinal & Sensor matching table (附: 小便斗与感应器配套表)

Urinal (小便斗)	Sensor (配套感应器)
0.5L	K-8881T-VC01/VC03-AF/BN, K-8791T-YC01/C03-CP/SC
1L	K-8881T-VC01/VC03-AF/BN, K-8988T-C01/C03-CP/SC
2.5L	K-8881T-UC01/UC03-AF/BN, K-8791T-C01/C03-CP/SC, K-8431T-C01/C03-CP, K-8430T-CP, K-8787T-B01/B03-CP/SC, K-8872T-C01/C03-CP, K-8828T-C01-CP

Inlet pipe for top inlet (optional for purchase)
顶进水要配的进水管 (客户选购)


小便器	Urinal(感应器)	Inlet Pipe (进水配管)
K-5777T-2ET-0	K-8881T-VC01/VC03-AF/BN	K-2464T-NA
	K-8881T-UC01/UC03-AF/BN	K-2464T-NA
	K-8787T-B01/B03-CP/SC	K-2464T-NA
	K-8828T-C01-CP	K-2383T-NA
	K-8988T-C01/C03-CP/SC	K-2464T-NA
	K-8791T-C01/C03-CP/SC	K-2464T-NA
	K-8431T-C01/C03-CP	K-2464T-NA
	K-8430T-CP	K-2383T-NA

用户责任


如果你居住地方的水质是硬性, 你必须保持冲水孔清洁, 令小便器冲水正常。每星期应最少使用厕所清洁剂清洁一次, 用长把手的刷子清洁冲水孔, 并尽量伸入排污管洗刷, 防止矿物质积聚。


大部份厕所清洁剂都不会损坏小便器表面的釉面陶瓷, 但烦请遵照厕所清洁剂生产商指示小心进行。

请勿使用腐蚀性剂或溶剂。


 **警告:** 提防楼宇受损或损坏产品。请勿使用小便池内用清洁剂。含氯(次氯酸钙)的清洁剂会严重破坏小便器附件, 从而引起渗漏, 或对楼宇结构造成损坏。

科勒公司对此类因使用氯(次氯酸钙)而引致的小便器附件损毁, 概不负责。

 **警告:** 请勿往小便器内吐痰、扔烟蒂等杂物。

 **警告:** 提防损坏产品。请不要向小便器内冲入新闻纸、纸尿裤等容易堵塞的物品。请不要用重力撞击陶瓷, 以防止破损漏水。

不要在0°C以下的水环境中使用。

 **警告:** 请勿使用钢丝球等硬质材料擦洗产品表面, 特别是产品商标处。

推荐使用科勒配套的感应器。