

### BEFORE YOU BEGIN

### 安装之前

- Please read these instructions carefully to familiarize yourself with the required tools, materials, and installation sequences. Follow the sections that pertain to your particular installation. This will help you avoid costly mistakes. In addition to proper installation, read all operating and safety instructions.
- All information in these instructions is based upon the latest product information available at the time of publication. Kohler China reserves the right to make changes in product characteristics, packaging, or availability at any time without notice.
- These instructions contain important care, cleaning, and warranty information-**please leave instructions for the consumer.**
- ESSENTIAL VANITY cabinet adopts E0 grade veneer man-made boards of high quality, and with further processing, its formaldehyde emissions will be less than 0.05mg/m<sup>3</sup>.
- Turn off the water supply.
- The plumbing installation must comply with Water Supply Regulations/Bye-laws, Building Regulations or any particular regulations and practices, specified by the local water company or water undertakers. The installation should be carried out by a plumber.
- Before installation carefully inspect the new fixture for any signs of damage.
- This product complies with GB/T 24977-2024.
- 请仔细阅读本指引，以便熟悉所需工具、物料及安装程序。请遵照适用的章节来安装本产品，以免安装失当导致不必要的损失。除了有关正确的安装方法之外，还务请详阅所有操作及安全指引。
- 本指引所载之一切资料。均以印刷时所有之最新产品情况为基础，科勒中国保留权利随时更改产品特性、包装或供应情况，恕不另行通知。安装家具之前，请先确认所有必需的电气工作均已完成。
- 本指引也包含了有关保养、清洁及担保等重要资料 - **请交予用户保存。**
- 逸森浴室柜选用 E0 级优质饰面人造板精心加工而成，其甲醛释放量少于 0.05mg/m<sup>3</sup>。
- 关闭供水。
- 管道安装必须遵循当地所有给排水、建筑或者其他的特别规定。管道安装人员必须具备相应资格。
- 安装之前，仔细检查新产品是否有损伤。
- 本产品符合 GB/T 24977-2024。

### ORDERING INFORMATION

This installation covers the following products in the ESSENTIAL VANITY range:

K-35981T Essential VANITY 1 DRS-L 600mm-MLW  
K-35981T Essential VANITY 1 DRS-L 600mm-MPR  
K-35982T Essential VANITY 1 DRS-R 600mm-MLW  
K-35982T Essential VANITY 1 DRS-R 600mm-MPR  
K-36457T Essential VANITY 2 DRS 700mm-MLW  
K-36457T Essential VANITY 2 DRS 700mm-MPR  
K-36478T Essential VANITY 2 DRS 800mm-MLW  
K-36478T Essential VANITY 2 DRS 800mm-MPR  
K-36479T Essential VANITY 2 DRS 900mm-MLW  
K-36479T Essential VANITY 2 DRS 900mm-MPR  
K-36484T Essential VANITY 3 DRS 1000mm-MLW  
K-36484T Essential VANITY 3 DRS 1000mm-MPR

### 订购信息

此安装说明书适用于以下逸森系列家具的安装：

逸森浴室柜单开门 - 左开 600mm - 月光白  
逸森浴室柜单开门 - 左开 600mm - 南瓜橙  
逸森浴室柜单开门 - 右开 600mm - 月光白  
逸森浴室柜单开门 - 右开 600mm - 南瓜橙  
逸森浴室柜对开门 700mm - 月光白  
逸森浴室柜对开门 700mm - 南瓜橙  
逸森浴室柜对开门 800mm - 月光白  
逸森浴室柜对开门 800mm - 南瓜橙  
逸森浴室柜对开门 900mm - 月光白  
逸森浴室柜对开门 900mm - 南瓜橙  
逸森浴室柜三开门 1000mm - 月光白  
逸森浴室柜三开门 1000mm - 南瓜橙

### SAFETY WARNINGS

Kohler products are precision-engineered and should give continued superior and safe performance, provided:

1. They are installed, commissioned, operated and maintained in accordance with the recommendations given in this Manual.
2. Periodic attention is given, as necessary, to maintain the product in good functional order. Recommended guidelines are given in the **MAINTENANCE** section.

Carefully inspect the new fixture for any signs of damage.

When installing Kohler Products, manufacturer's guidelines for power tool safety should be followed.

### 安全警告

科勒产品经过精确制造，性能卓越，经久耐用。为保证产品质量，您必须：

1. 按照此手册中推荐的方法进行安装、启动、操作及维护。
2. 如有需要，定期检查，令产品保持良好性能状态。日常维护章节中列有推荐方法。

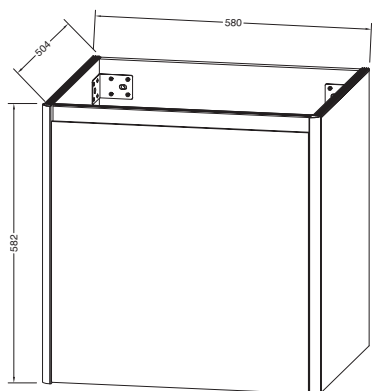
仔细检查新产品是否有损伤。

在安装科勒产品时，必须遵循制造商相关电动工具的安全的指令。

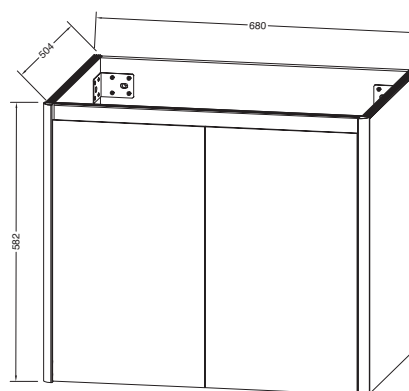
CHANGSHU KOHLER LTD., SOUTHEAST ECONOMIC DEVELOPMENT ZONE,  
CHANGSHU, JIANGSU PROVINCE, CHINA POST CODE 215500  
常熟科勒有限公司 江苏省常熟市东南经济开发区 邮编：215500

Reference  
参考值

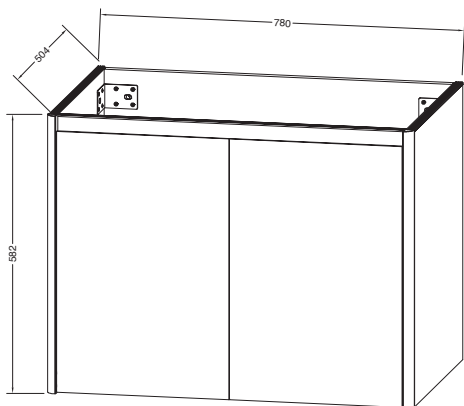
UNIT: mm  
单位: 毫米



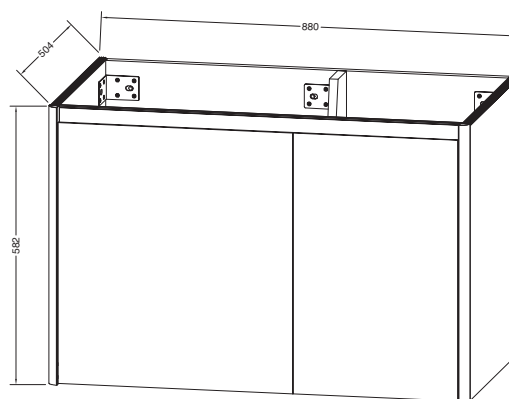
K-35981T/K-35982T  
Essential Vanity 1 Door 600mm  
逸森浴室柜单开门600mm



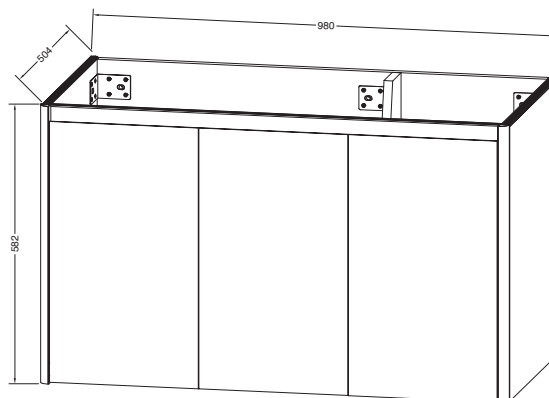
K-36457T  
Essential Vanity 2 Doors 700mm  
逸森浴室柜对开门700mm



K-36478T  
Essential Vanity 2 Doors 800mm  
逸森浴室柜对开门800mm



K-36479T  
Essential Vanity 2 Doors 900mm  
逸森浴室柜对开门900mm



K-36484T  
Essential Vanity 3 Doors 1000mm  
逸森浴室柜三开门1000mm

Fig.1  
图 1

Kohler reserves the right to change marked dimensions without prior notice.  
科勒公司保留随时变更图中标示尺寸的权利, 无需另行通知。



# INSTALLATION

# 安装

## Install Washbasin Cabinet

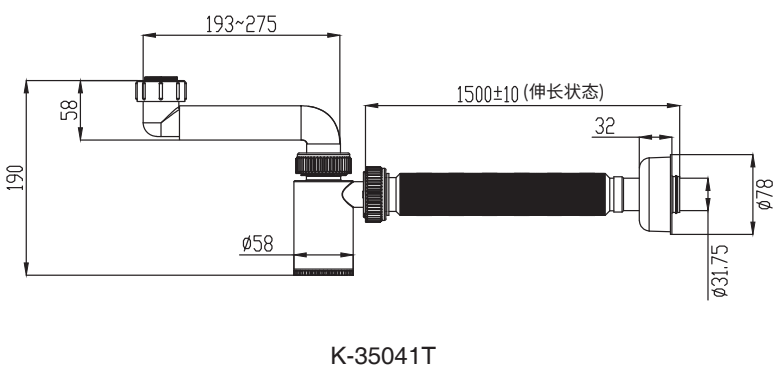
Install the services.  
Hot (H) and Cold (C) inlets must be connected to the correct inlet pipes.  
Install the drain in accordance with the manufacturer's instructions.

We recommend using bathroom accessories, Kohler model K-35041T-0, for installation, and the sizes are as followed (optional accessories, need to be purchased separately).

-  **Caution!** Make sure a watertight seal exists on all washbasin drain connections.
-  **Caution!** Provide access to the plumbing connections for future plumbing maintenance.

The hot and cold water supplies must be installed with isolating valves.

\* Refer to the following pictures for the wall installation positions of the faucet inlet angle valve and the floor drain hole.





K-35041T

## 安装脸盆柜

安装管道。  
热水 (H) 及冷水 (C) 入口必须连接至正确的进水管。

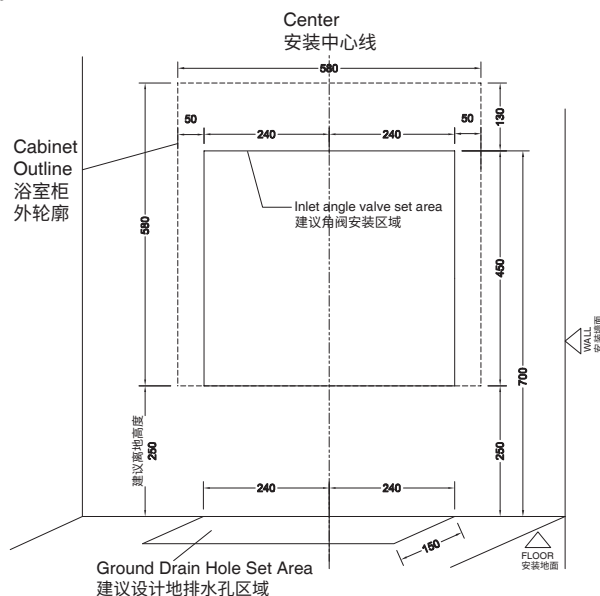
根据制造商说明书安装排水。

我们建议采用科勒型号 K-35041T-0, 依心浴室配件落水来安装, 尺寸见下图 (该落水为选配件, 需单独购买)。

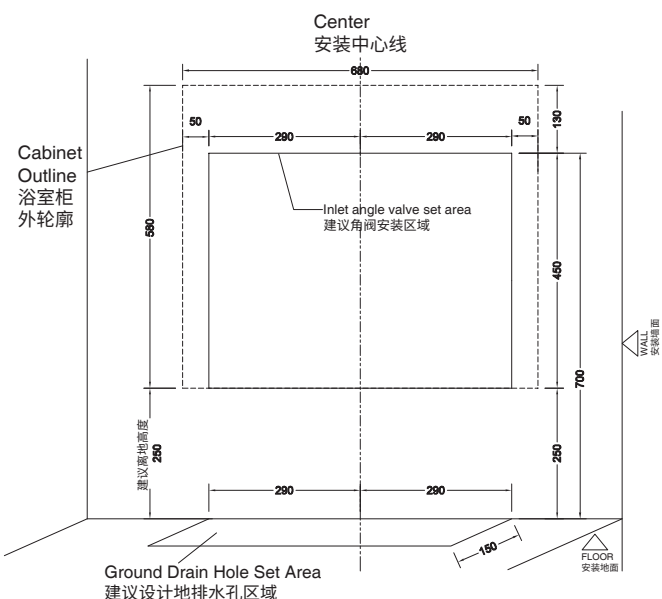
-  **小心!** 请确保所有脸盆排水的连接处都装有防水密封圈。
-  **小心!** 管道连接处需留有检修空间, 以备日后管道维护之用。

注意! 安装冷热供水管时必须使用隔离阀。

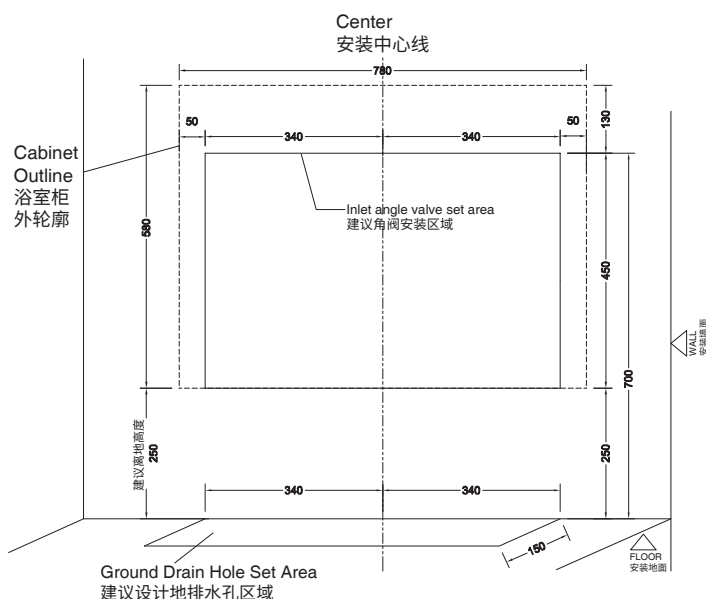
\* 浴柜龙头进水角阀的墙面安装位置和地面排水孔位置, 参考下图。



K-35981T/ K-35982T

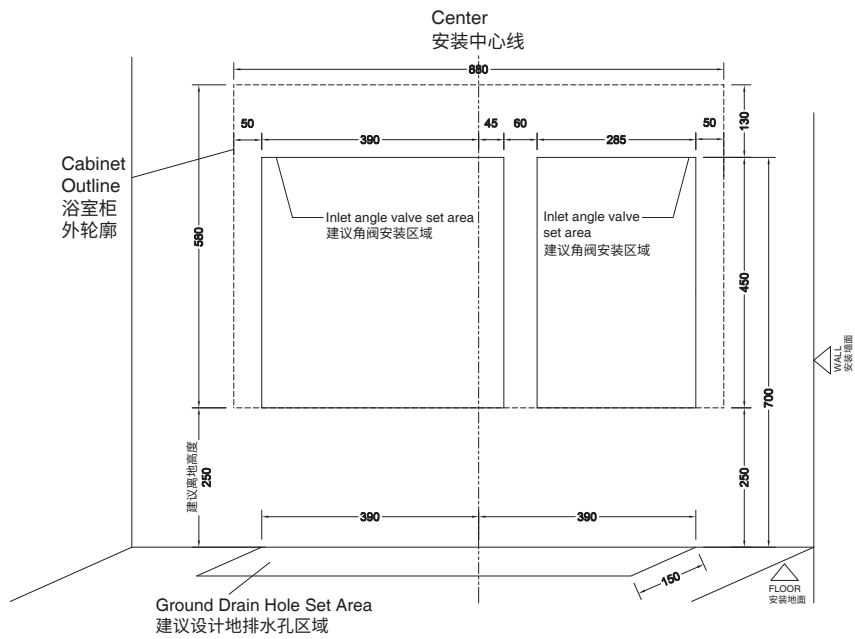


K-36457T

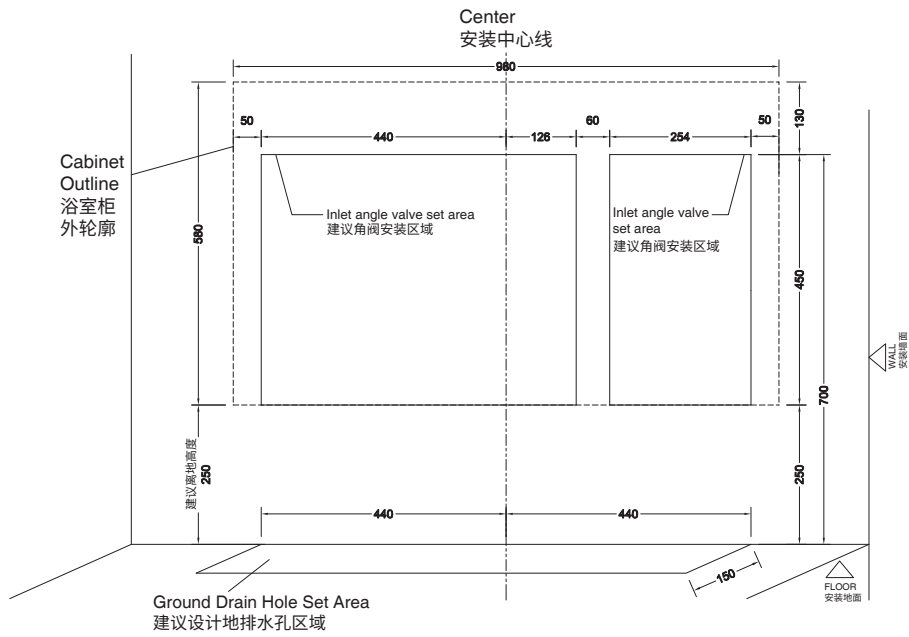


K-36478T

Fig.2  
图 2



K-36479T



K-36484T

Fig.2  
图 2

1. Mark the location of the hanged bracket on the mounting wall according to dimensions as illustrated, and loosen the suspension hook of washbasin cabinet.

**Caution!** Avoid the cables and pipes inner set when drilling in the wall.

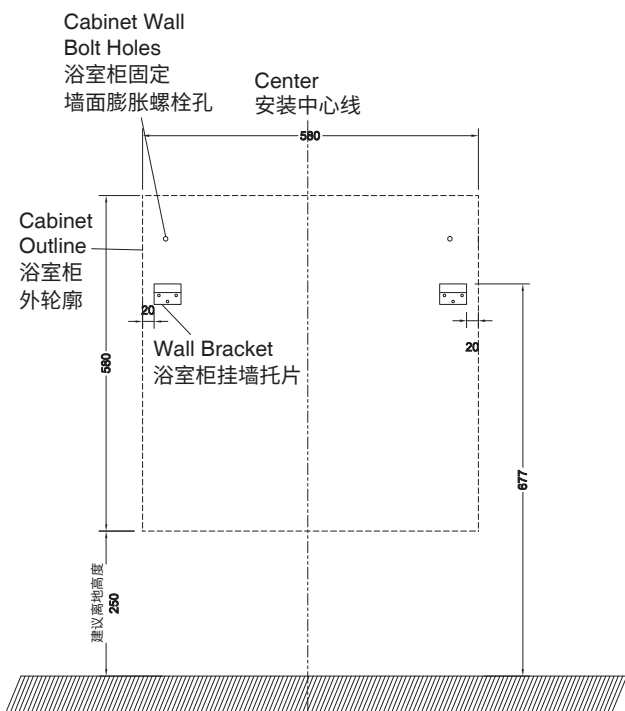
**Note:** Different types of bolts are required for different decoration boards. Please apply suitable bolts and plugs.

1. 根据图示尺寸在安装墙面上标示出挂墙托片的位置，并将脸盆柜吊码的挂钩伸长。

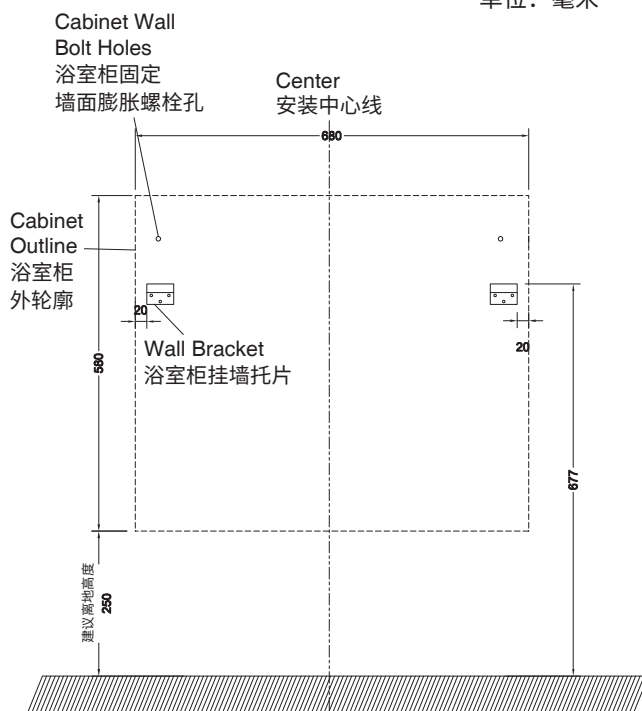
**小心!** 在墙壁上钻孔时请务必小心避开内设的缆线和管道。

**注意:** 不同的装饰墙面需要不同型号的螺钉。请使用合适的螺钉和入墙胶塞。

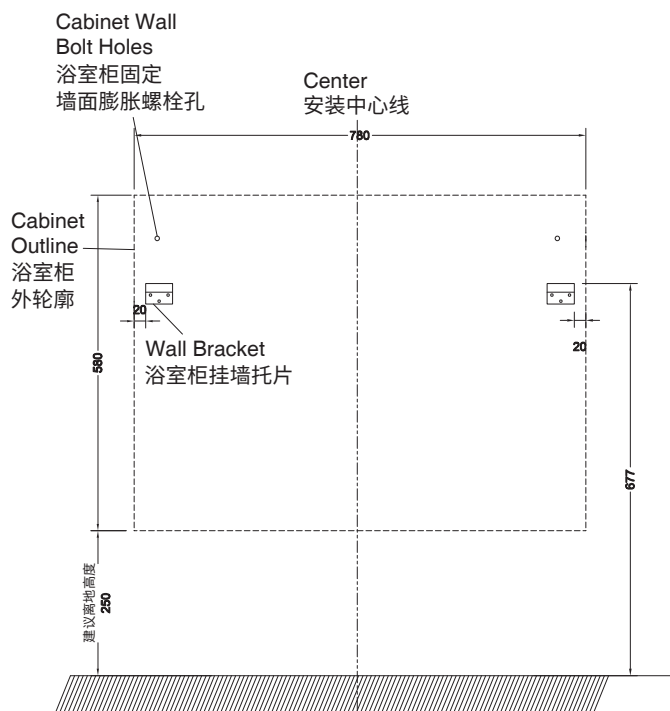
UNIT: mm  
单位: 毫米



K-35981T/ K-35982T

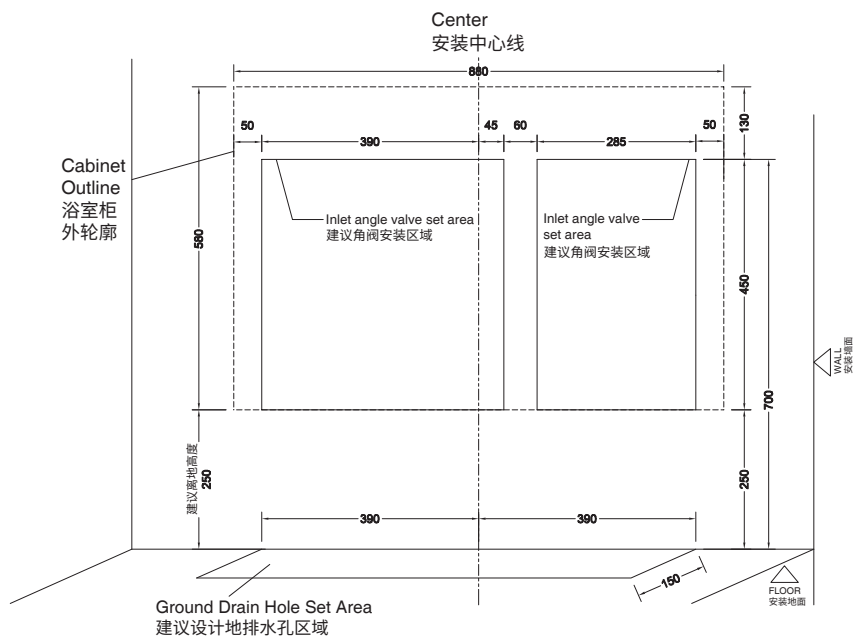


K-36457T

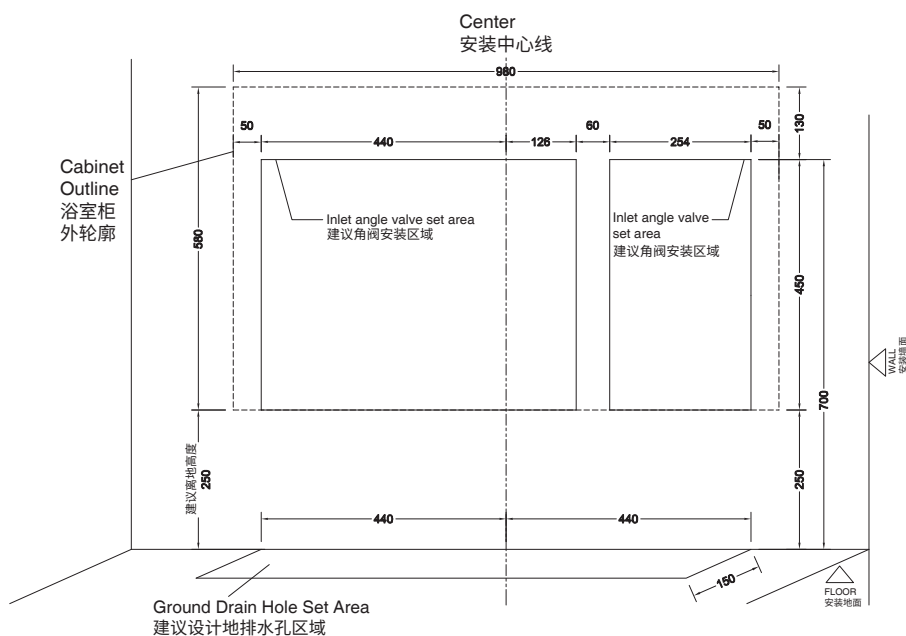


K-36478T

Fig.3  
图 3



K-36479T



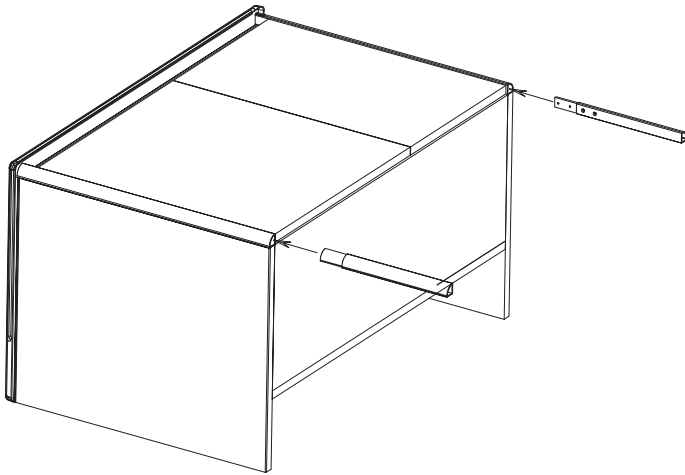
K-36484T

Fig.3  
图 3

2. Drill holes for fixing the bracket. Using a level to ensure that the hanged bracket is level.
3. Use suitable plugs and bolts, and fix the bracket on the wall.

2. 钻好挂墙托片安装孔，使用水平仪检查，确保挂墙托片水平。
3. 使用合适的入墙胶塞和螺钉，将挂墙托片固定在墙面上。

4. Install adjustable feet first if needed. Refer to the feet instructions for installation.  
Refer to Figure 4. (The feet are optional accessories and need to be purchased separately, model number K-36492T-ANT, with bright color metal feet. The feet are only installed on the front 2 only, refer to the figure below for the installed state)



4. 如需安装地脚，请参考地脚说明书安装。

见图4，（地脚为选配件，需单独购买，地脚型号为K-36492T-ANT，逸森金属脚，该脚仅安装前面2只，见下图安装好的状态）

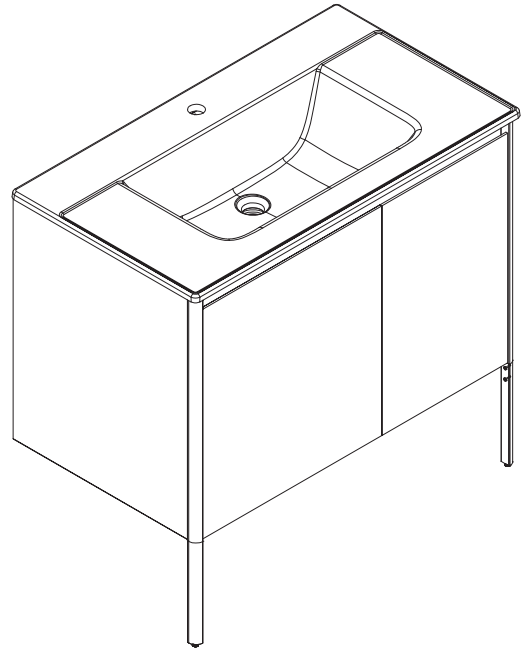


Fig.4  
图4

5. Fix faucet and drain according to their installation instructions.
6. Fix onto wall.  
a. Slightly lift the cabinet by two people. put it at the wall position where it is installed, and mark on the wall with a pencil or marker to make a punch through the holes on the back board.  
b. Put down the cabinet, drill holes at the marks on the wall with the corresponding drill bit, and knock in the corresponding expansion tube.  
c. Lift the cabinet again with two people, and hang the 2 hooks on the cabinet onto the wall brackets in step 3. Adjust the hooks to make sure the cabinet is level and fits the wall.  
d. Attach the cabinet to the wall with the corresponding bolts. Secure and double check to make sure the cabinet is solid and has no gaps with the wall, and does not detach from the wall when the cabinet is gently pressed.

5. 按照龙头和落水的制造商的安装说明安装龙头和落水。

6. 与墙面固定。  
a. 由两人稍稍抬起柜体，放在安装的墙面位置处，用铅笔或记号笔，通过背板角铁孔在墙面上做打孔记号。  
b. 放下柜体，然后在墙面上记号处用对应的钻头打孔，并敲入对应的膨胀管。  
c. 两人再次抬起柜体，将柜体上的2个挂吗钩，挂在步骤3的挂墙托片上，并调节挂吗确保柜体水平并与墙面贴合。  
d. 用配套的螺栓将柜体与墙面连接，固定好后，检查，确保柜体稳固并与墙面无缝隙，轻轻按压柜体，不会脱离墙面。

7. Connect water pipe and drain by professionals to ensure there is no leakage.

7. 由专业人员连接安装上下水，确保无渗漏。

**Note:** Different types of bolts are required for different decoration boards. Please apply suitable bolts and plugs.

**注意：**不同的装饰墙面需要不同型号的螺钉。请使用合适的螺钉和入墙胶塞。

8. Adjust the cabinet.

- a. Place the hinge cover and plastic cover (in the hardware pack).
- b. Adjust the hinge of door in 3 direction to make sure the door level.

8. 调节浴室柜。

- a. 装上门铰盖，盖上塑料孔盖（五金包内）。
- b. 如图所示三向调节门板位置。

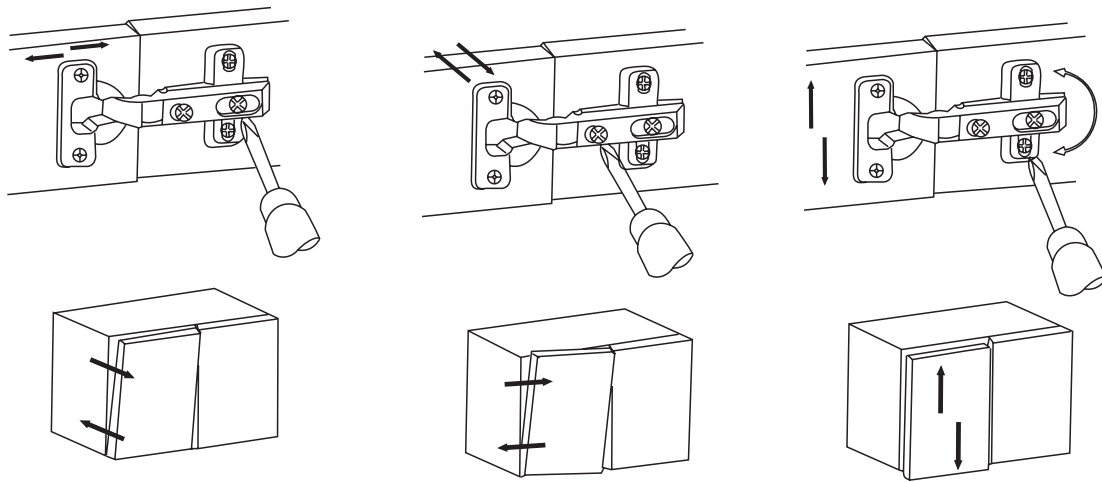


Fig.5  
图 5

## USER MAINTENANCE

## 日常维护

**Warning! Risk of product damage.**

**警告！小心产品受损。**

1. Many cleansers contain abrasive and chemical substance which is not suitable for cleaning stainless steel, enamel, plating or plastic products. You may use mild cleansers or soaps to clean the surfaces. Wipe any splashes of cleaner solutions from the surface with clean soft cloth.
  2. Maintain ventilation in the bathroom, and separate the dry area from the damp one if conditions permit. Try to open the door and windows of the bathroom and maintain good ventilation.
  3. Kohler bathroom cabinet are dealt with strict procedures for damp-proof, whose good damp-proof function ensures good performance even in bathroom of huge humidity. Yet do not splash and pour water directly on the bathroom cabinet. Make sure that the bathroom is not over damp and wipe any splashes from surfaces immediately.
  4. Maintenance of door board: Clean and wipe door board regularly, and wipe the condensation vapor with dry and soft cloth.
  5. Ensure that electrical connections for appliances such as head lamp is insulated wipe mirror surface with chamois regularly to guarantee the persistent excellent performance.
  6. Please do not sit, lean or step on the basin cabinet.
  7. If any fixtures caused by abnormal reasons, Kohler China can supply paid replacement for service parts caused by abnormal reasons as shown in the Service Parts Page in the limited duration of warranty.
1. 许多清洁剂都含有研磨剂及化学物质，不可用于清洁不锈钢、搪瓷、镀层或塑料制品。这些表面须使用温和的清洁剂或皂液进行清洁，将残余洗涤剂洗干净，然后用干净的软布擦干。
  2. 卫生间请保持良好的通风状态，有条件的可以干、湿分离，平常尽量保持浴室空气畅通，养成开窗开门的习惯。
  3. 科勒浴柜都经过严格的防潮处理，但防潮并不是防水，使用时不可随意任浴柜被水浇、溅。良好的防潮性能可以保证在高相对湿度时仍有良好的使用性，所以请避免卫生间过于潮湿，遇有水迹要及时擦干。
  4. 门板的保养：经常用软布定期清洁、擦拭，洗浴后的冷凝水蒸气应用干布擦净，保持门板的干爽。
  5. 照明灯等电器连接要确保绝缘、防潮镜面最好用麂皮经常擦拭。可以保障使用质量经久如一。
  6. 日常使用时，请勿坐、倚、靠、踩踏在脸盆柜上。
  7. 科勒公司确保在担保期内，可以提供因非正常原因造成的如维修零件图中零件的有偿更换。