

BEFORE YOU BEGIN 安装之前

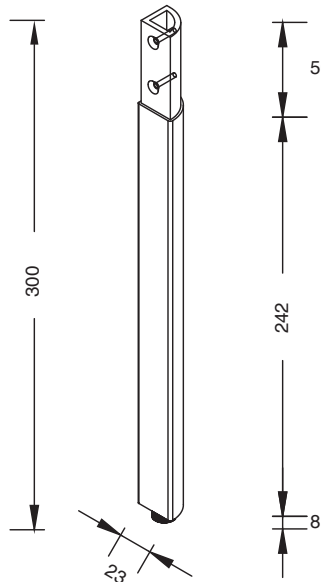
- Please read these instructions carefully to familiarize yourself with the required tools, materials, and installation sequences. Follow the sections that pertain to your particular installation. This will help you avoid costly mistakes. In addition to proper installation, read all operating and safety instructions.
- All information in these instructions is based upon the latest product information available at the time of publication. Kohler China reserves the right to make changes in product characteristics, packaging, or availability at any time without notice.
- These instructions contain important care, cleaning, and warranty information-**please leave instructions for the consumer.**
- This product complies with GB/T 24977-2024.
- Before installation carefully inspect the new fixture for any signs of damage.
- 请仔细阅读本指引，以便熟悉所需工具、物料及安装程序。请遵照适用的章节来安装本产品，以免安装失当导致不必要的损失。除了有关正确的安装方法之外，还务请详阅所有操作及安全指引。
- 本指引所载之一切资料，均以印刷时所有之最新产品情况为基础，科勒中国保留权利随时更改产品特性、包装或供应情况，恕不另行通知。
- 本指引也包含了有关保养、清洁及担保等重要资料 - **请交予用户保存。**
- 本产品符合 GB/T 24977-2024 标准。
- 安装之前，仔细检查新产品是否有损伤。

ORDERING INFORMATION	订购信息
ESSENTIAL FEET..... 36492T-ANT	逸森金属脚..... 36492T-ANT

ROUGHING-IN 尺寸图

Reference
参考值

UNIT: mm
单位: 毫米



Kohler reserves the right to change marked dimensions without prior notice.
 科勒公司保留随时变更图中标示尺寸的权利，无需另行通知。

CHANGSHU KOHLER LTD., SOUTHEAST ECONOMIC DEVELOPMENT ZONE,
 CHANGSHU, JIANGSU PROVINCE, CHINA POST CODE 215500
 常熟科勒有限公司 江苏省常熟市东南经济开发区 邮编: 215500

A Before installation

*The feet can only be used for the installation of the following models of bathroom cabinets:

35981T-MLW	逸森浴室柜 单开门 左开 600mm 月光白	Essential Vanity 1DR-L 600mm MLW
35981T-MPR	逸森浴室柜 单开门 左开 600mm 南瓜橙	Essential Vanity 1DR-L 600mm MPR
35982T-MLW	逸森浴室柜 单开门 右开 600mm 月光白	Essential Vanity 1DR-R 600mm MLW
35982T-MPR	逸森浴室柜 单开门 右开 600mm 南瓜橙	Essential Vanity 1DR-R 600mm MPR
36457T-MLW	逸森浴室柜 对开门 700mm 月光白	Essential Vanity 2DRS 700mm MLW
36457T-MPR	逸森浴室柜 对开门 700mm 南瓜橙	Essential Vanity 2DRS 700mm MPR
36478T-MLW	逸森浴室柜 对开门 800mm 月光白	Essential Vanity 2DRS 800mm MLW
36478T-MPR	逸森浴室柜 对开门 800mm 南瓜橙	Essential Vanity 2DRS 800mm MPR
36479T-MLW	逸森浴室柜 对开门 900mm 月光白	Essential Vanity 2DRS 900mm MLW
36479T-MPR	逸森浴室柜 对开门 900mm 南瓜橙	Essential Vanity 2DRS 900mm MPR
36484T-MLW	逸森浴室柜 三开门 1000mm 月光白	Essential Vanity 3DRS 1000mm MLW
36484T-MPR	逸森浴室柜 三开门 1000mm 南瓜橙	Essential Vanity 3DRS 1000mm MPR

*Take out the bathroom cabinet to be installed. Remove the left and right door panels. Place the bathroom cabinet horizontally on the floor, with the back facing down and the door panels facing up.

A 安装之前

*该支撑脚仅可用于以下型号的浴室柜安装：

*取出待安装的浴室柜，将左右门板拆卸掉，并将浴室柜背部朝下，门板面朝上，水平放置在地面上。

B Installation steps

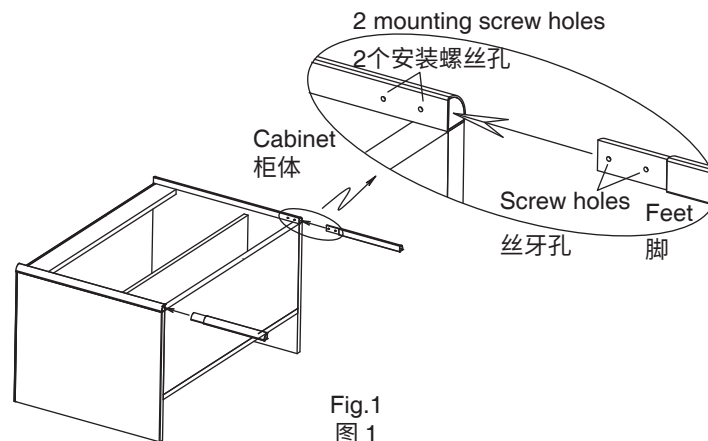
1. Take out the feet from the box and the matching screws. Insert one end with 2 screw holes into the rounded metal on the left and right sides of the cabinet as shown in the figure below.

Note: The rounded metal of the cabinet has plastic plugs on the bottom side, which can be removed or tapped into the rounded metal.

B 安装步骤

1. 包装盒中取出支撑脚，以及配套的螺杆。按下图所示，将带2个螺丝孔的一头插入柜体左右两侧的圆弧金属内。

注意：柜体的圆弧金属，底端面有塑料堵头，可以将其取出或者敲入圆弧金属内即可。



2. Insert one end of the metal feet completely into the rounded metal of the cabinet on the left and right sides of the cabinet. Then use the 2 screws supporting the feet to fix and tighten it as the following figure. Then gently apply pressure to the installed feet by hand to ensure that the feet are fixed tightly in place without shaking.

2. 将金属脚的一头完全插入柜体左右两侧的圆弧金属内后，用支撑脚配套的2个螺杆，按下图固定，并拧紧。然后用手轻轻给安装好的脚施压，确保脚固定紧实到位，无晃动。

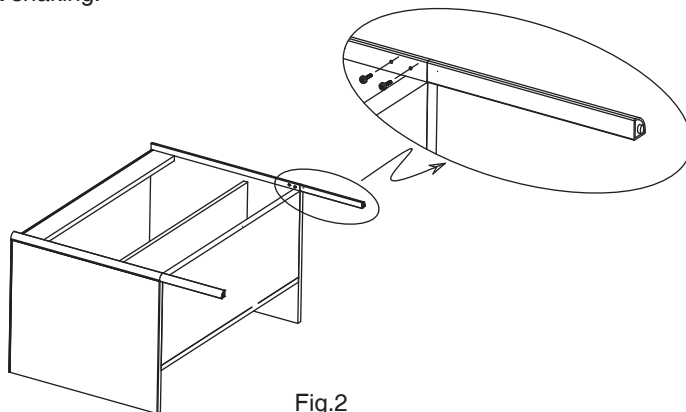


Fig.2
图 2

3. The effect after installing the feet is shown below. Attach the bathroom cabinet onto the wall according to the instructions and make sure that the feet are on the ground and bear the gravity of the cabinet. Do not leave the feet hanging as it will affect the service life of the feet. If the floor is not level, you can adjust the adjusting feet at the end to level the cabinet.

3. 安装好支撑脚后的效果图如下。将浴室柜按说明书挂墙安装，确保支撑脚落地并承受柜体的重力，切勿支撑脚悬空会影响支撑脚的使用寿命，如果地面不平，可调节支撑脚末端的调节脚，来调节柜体水平。

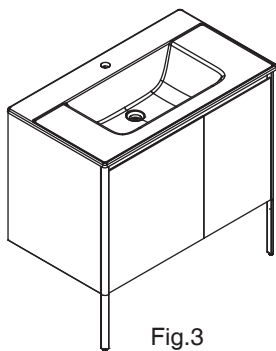


Fig.3
图 3

USER MAINTENANCE

日常维护

WARNING! Risk of product damage.

警告！小心产品受损。

1. Many cleansers contain abrasive and chemical substance which is not suitable for cleaning stainless steel, enamel, plating or plastic products. You may use mild cleansers or soaps to clean the surfaces. Wipe any splashes of cleaner solutions from the surface with clean soft cloth.
2. Maintain ventilation in the bathroom, and separate the dry area from the damp one if conditions permit. Try to open the door and windows of the bathroom and maintain good ventilation.
3. Kohler bathroom cabinet metal support feet are rigorously tested for corrosion resistance, keeping product surfaces clean and dry to keep appearance and quality as good as new.
4. Maintenance: regularly clean and wipe with a soft cloth. If there is condensation water on the surface after a bath, wipe with a dry cloth to keep the surface clean and dry.

1. 许多清洁剂都含有研磨剂及化学物质，不可用于清洁不锈钢、搪瓷、镀层或塑料制品。这些表面须使用温和的清洁剂或皂液进行清洁，将残余洗涤剂洗干净，然后用干净的软布擦干。
2. 卫生间请保持良好的通风状态，有条件的可以干、湿分离，平常尽量保持浴室空气畅通，养成开窗开门的习惯。
3. 科勒浴室柜金属支撑脚都经过严格的抗腐蚀测试，保持产品表面的干净和干燥能使外观和质量久经如新。
4. 保养：经常用软布定期清洁、擦拭，洗浴后如果表面有冷凝水，应用干布擦净，保持表面干净和干爽。