

Installation Instructions

Shoulder Shower

Record your model number: _____

KOHLER®

Thank You for Choosing KOHLER

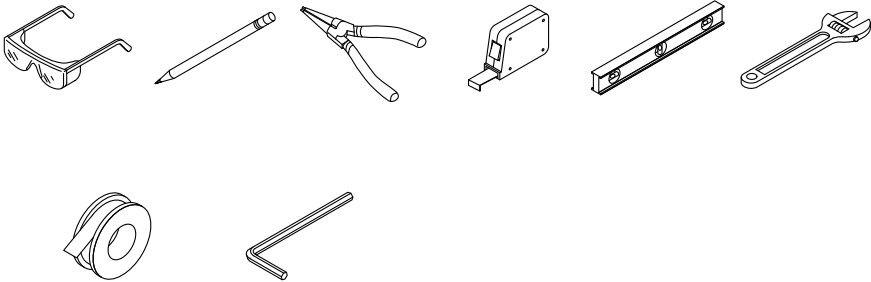
Need help? Contact our Customer Care Center.

- Email: indiacustomercenter@kohler.com
- Call: 1800-103-2244
- **Care and cleaning:** Please refer to the Care and Cleaning on the product detail page.

Warranty

This product is covered under the **KOHLER® India Faucet Limited Warranty**, found at kohler.co.in/warranty. For a hardcopy of warranty terms, contact the Customer Care Center.

Tools and Materials



Thread Sealant Tape 2 mm

Plus:

- Silicone Plumbers Grease

Before You Begin

Read all instructions before installing or using this product.



WARNING: Risk of scalding. High water temperature can cause severe burns. Set the valve water temperature at or below 120°F (49°C). Refer to the temperature adjustment instructions for the valve.



CAUTION: Risk of product damage and personal injury. Keep the product away from a heater.



CAUTION: Risk of product or property damage. Do not apply weight or downward force to the product. Support the product when cleaning or servicing the showerhead.

NOTE: The recommended minimum operating pressure for this product is 0.2 MPa (2 bar).

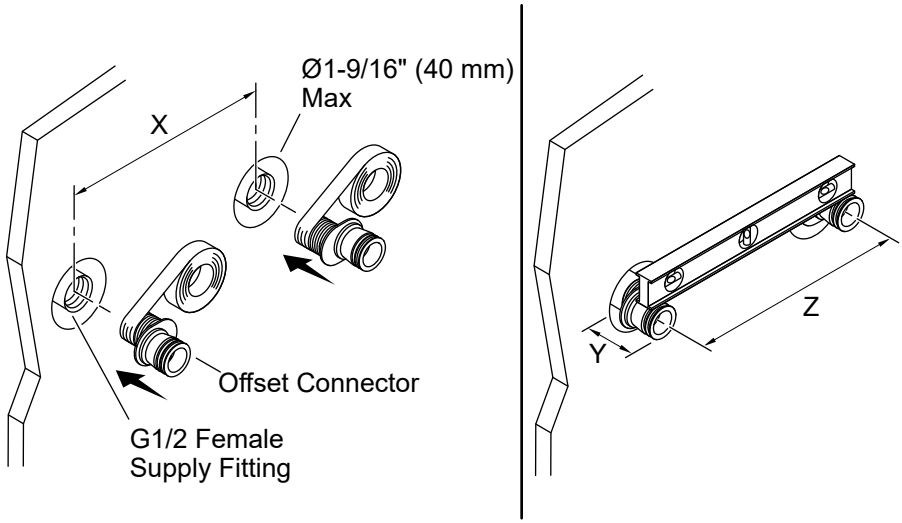
NOTE: The maximum operating pressure for this product is 0.5 MPa (5 bar). If the pressure exceeds 0.5 MPa (5 bar), install a pressure reducer.

Follow all local plumbing and building codes.

Turn OFF the water supply.

Inspect the existing supply piping and wall materials. Replace if necessary.

1. Install the Offset Connectors



NOTE: The recommended height for installing the product is 62-3/8" (1585 mm) above the floor. However the user can install the product according to their requirement.

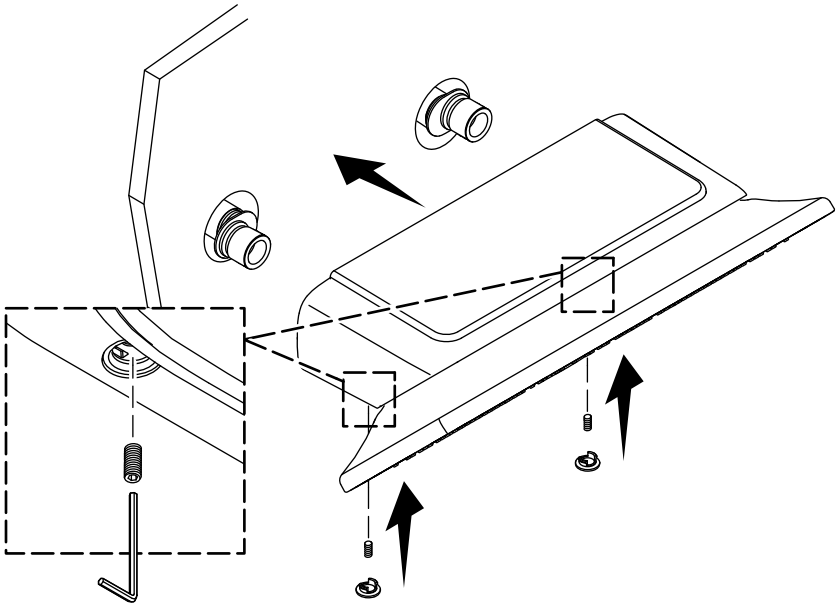
NOTE: G1/2 female supply fittings are required to be installed before installing the product.

NOTE: The water supply pipe must be located on the right side and the outlet pipe on the left side.

- Verify **X** = 6-1/2" (165 mm) - 7-11/16" (195 mm). Verify that the supply fittings are G1/2 female.
- The supply fittings must be level and not extend beyond the finished wall.
- Apply thread sealant tape to the offset connectors.
- Install the offset connectors into the supply fitting.

- Verify **Y** = 1-1/8" (28 mm) - 1-5/16" (33 mm) from the finished wall. Adjust if necessary.
- Verify **Z** = Place the installation template (provided) and verify the distance between the offset connectors. Adjust if necessary.
- Verify that the offset connectors are level.
- Remove the installation template.
- Apply silicone plumbers grease to the seals.

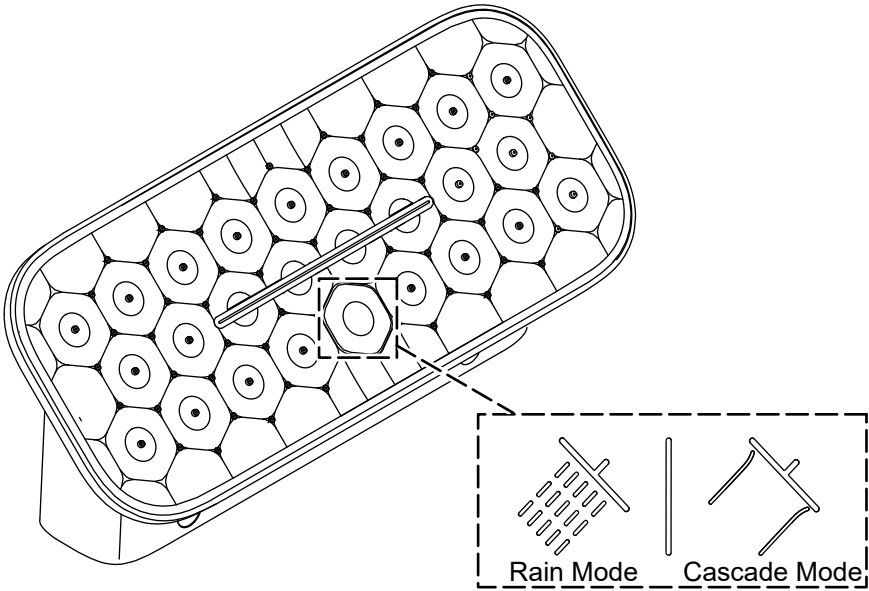
2. Install the Shoulder Shower



NOTE: Verify that the seals are well lubricated with silicone plumbers grease. Reapply silicone plumbers grease if necessary.

- Turn ON the water supply.
- Flush the water supply line into a bucket or other container to remove debris.
- Turn OFF the water supply.
- Install the product onto the offset connectors.
- Insert the provided hex screws from the bottom side and tighten using the hex key (not supplied).
- Install the caps to cover the hex screws.
- Turn ON the water supply.
- Check for leaks.

Using the Shoulder Shower



CAUTION: Risk of product or property damage. Do not apply excessive force when adjusting the showering position. Excessive force may damage the product.

CAUTION: Risk of scalding. This product is a diverter valve only. Do not use as a shut-off valve. Doing so would allow crossflow between the hot and cold water supplies and create a serious scalding hazard. Check the water temperature before using the shower.

NOTE: After turning off the product, a small amount of water may continue to drain over a few minutes.

NOTE: The product is not designed to stop the water flow.

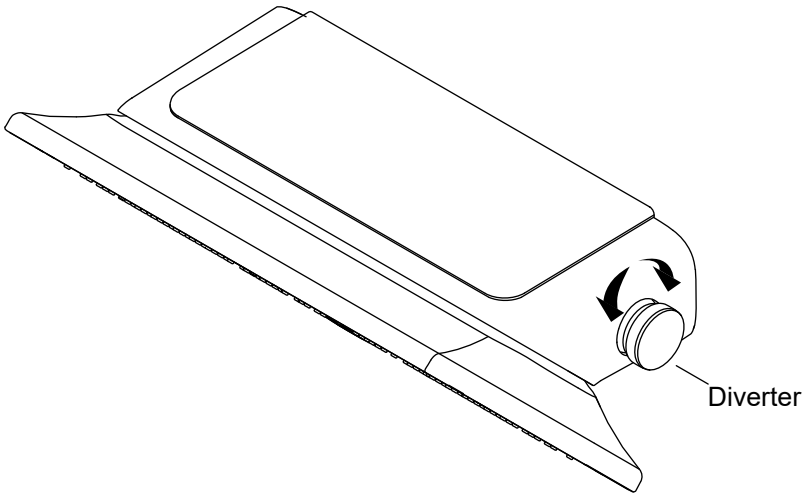
Change the Shower Pattern

- Press the Rain Mode button to turn ON the rain mode.
- Press the Cascade Mode button to turn ON the cascade mode.

Adjust the Showering Position

- Hold the product using the groove located at the rear bottom side and adjust the showering position as needed. The product allows users to choose from five different showering positions including the extreme bottom and top.

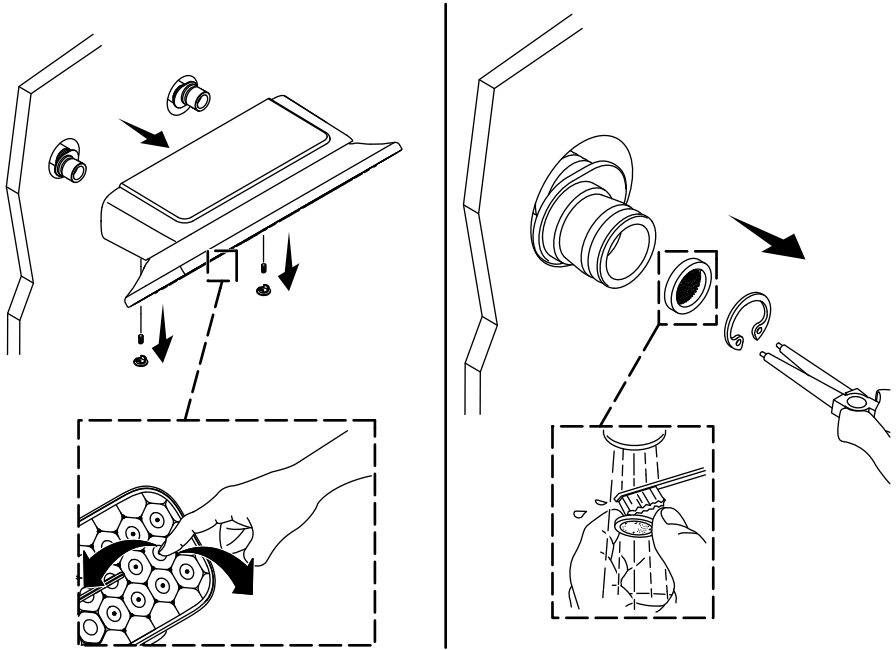
Using the Diverter (if available)



NOTE: The product is designed to divert the water flow to an additional showerhead.

- The water will flow from the built-in showerhead as a default operation.
- Pull the diverter out to change the water flow to an additional showerhead.
- Rotate the diverter clockwise to lock the diverter position.
- Rotate the diverter counterclockwise to unlock the diverter position.
- Once unlocked, the diverter resets to the original position, and water flows from the built-in showerhead.

Maintenance



Cleaning the Nozzles

- Run water through the showerhead.
- Firmly rub your finger back and forth across the spray holes in the showerhead.

Cleaning the Screen Washer

- Insert the hex key (not supplied) from the bottom side of the product and loosen the hex screws. Be careful not to damage the finish.
- Remove the product from the offset connectors.
- Remove the circlips from offset connectors using a circlip plier.
- Use a thin, flat-blade screwdriver to carefully raise the edge of the screen washer. Remove and clean the screen washers.
- Reinstall the screen washers with the tapered end out.

- Reinstall the circlips using a circlip plier.
- Reinstall the product.

kohler.co.in

THE BOLD LOOK
OF **KOHLER**®

©2025 Kohler Co.



1611905-IN2

1611905-IN2-A