



K-30717T/K-P30717T/K-30717K LADENA 拉蒂纳

SGL BASIN SR/UC/TI SINK
单槽台上台中台下多用厨盆
CUT-OUT TEMPLATE / INSTALLATION INSTRUCTIONS
切割图/安装说明书

BEFORE YOU BEGIN

- Read the installation instructions before using the product.
- Observe all local plumbing and building codes.
- Shut off the hot and cold water supplies.
- Prior to installation, unpack the new sink and inspect it for damage. Return the sink to its protective carton until you are ready to install it.
- Inspect the drain and supply tubing. Replace if necessary.
- All information in these instructions is based on the latest product information available at the time of publication. Kohler reserves the right to make changes at any time without notice.
- This product complies with Q/KLCW 5.

安装之前

- 使用产品前请阅读使用说明书。
- 遵循当地的管道和建筑规范。
- 关闭冷热水供应。
- 在安装之前，请打开新水槽的包装。检查产品是否有损坏。将水槽放回其保护性的纸箱包装，直到您准备安装。
- 检查供水和排水管道。如果需要，请更换管道。
- 此手册中的所有资料按照出版时的最新产品资料编写。科勒公司保留在任何时候不需通知便可进行更改的权利。
- 本产品符合Q/KLCW 5。

IMPORTANT INFORMATION

The cutout for the faucet holes (if needed) should be completed prior to this installation. If this product is not installed according to the steps in this guide, damage may occur to this product.

For undercounter installations: To ensure the weight of the sink is properly supported, the entire perimeter of the sink rim must rest on the wood frame.

For undercounter installations: Use proper techniques to ensure that the wood frame will support a minimum of 100kg.

- Observe all local plumbing and building codes.
- Undercounter sinks should be installed by experienced installers.
- Prior to installation, unpack the new sink and inspect it for damage. Return the sink to its protective carton until you are ready to install it.
- Inspect the drain and supply tubing. Replace if necessary.
- Kohler reserves the right to make revisions in the design of products without notice, as specified in the Price Book.

重要信息

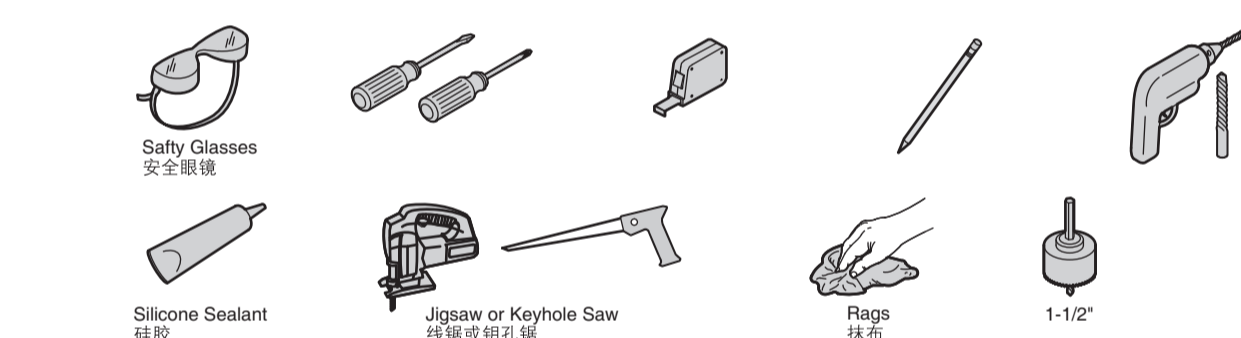
安装之前完成对台面和龙头孔（如需）的切割。任何违反本安装说明书步骤的操作可能导致产品损坏。

对于台下安装：为确保本厨盆的重量得到适当支撑，厨盆的整个边缘必须搁置于木质框架上。

对于台下安装：使用适当安装技巧，以确保木质框架至少可以承受100kg的重量。

- 遵守所有当地给排水及建筑规范。
- 台下盆应由具有一定经验的安装者负责安装。
- 在安装前，请打开包装，并检查产品是否完好无损。然后将厨盆放回包装内，直至安装。
- 检查供水和排水管道。若有必要请更换。
- 科勒保留更改产品设计权利。无需预先通知。详细信息请参阅价目手册。

TOOLS

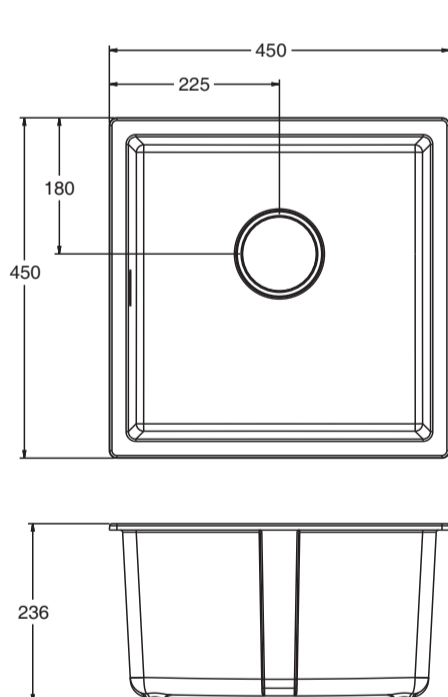


工具

ROUGHING-IN

Reference Value
参考值
T=8.0/13.5
厚度: 8.0/13.5

尺寸图



UNIT: mm
单位: 毫米

WHEN PLOTTING TEMPLATE FULL SIZE:
Make sure horizontal and vertical dimensions match the dimensions labeled on the template.

当在台面上—比—描绘切割线时，
务必确保模板的水平和垂直尺寸与模板上标注的一致。

404mm

428mm

RIM OF SINK
水槽边缘

FOR SELF-RIMMING INSTALLATION OR
TILE IN INSTALLATION
CUT ALONG THIS LINE
专用于台上/台中安装
沿此线切割

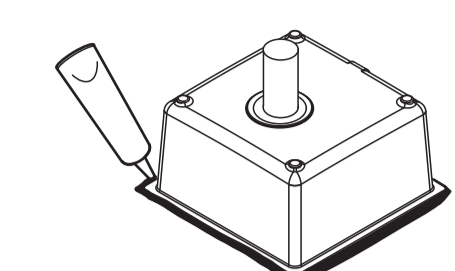
FOR UNDERCOUNTER INSTALLATION
CUT ALONG THIS LINE
专用于台下安装
沿此线切割

ZHUHAI KOHLER KITCHEN & BATHROOM PRODUCTS CO., LTD NO.15, XIN QING
LIU ROAD, JING AN TOWN, DOU MEN DISTRICT, ZHUHAI, PRC POST CODE: 519180
珠海科勒厨卫产品有限公司 珠海市斗门区井岸镇新青六路15号 邮编: 519180

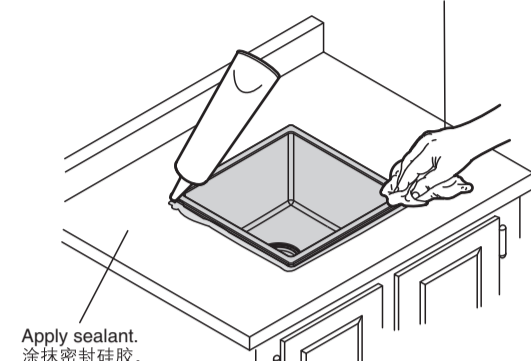
R15mm

404mm
428mm

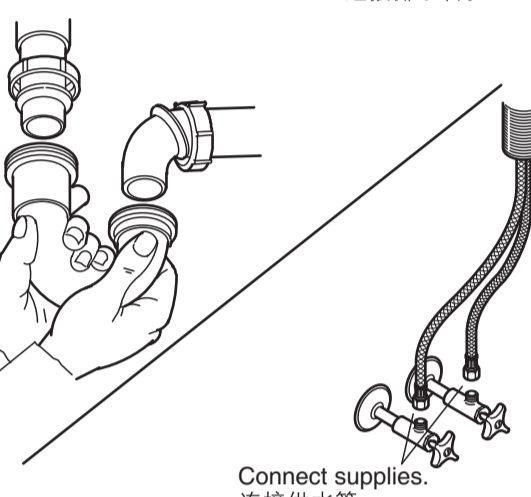
7. Apply silicone sealant around the rim. 7. 沿厨盆边缘涂抹硅胶。



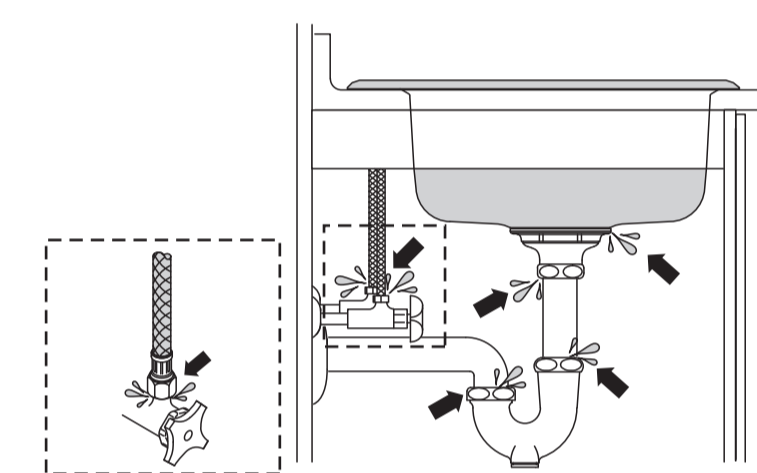
8. Wipe away the excess sealant and allow to dry. 8. 抹去多余硅胶，并待其干固。



9. Make the drain connections. 9. 连接排水管。



10. Run water into the sink and check all connections for leaks. 10. 试水，检查各连接处是否存在渗漏。



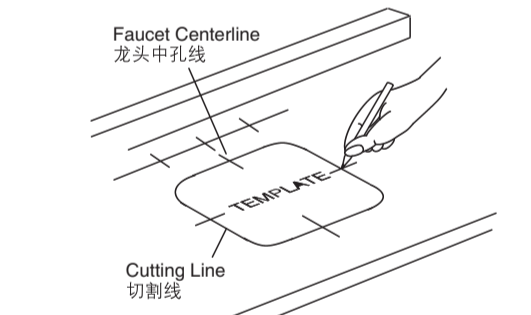
Tile in Installation

- Check and confirm the thickness of countertop is no less than 25mm.
- Cut out the template. Cut along the dotted line on the template.
- Line out the cut-out line on the countertop. Position the template on the countertop in the desired location. Make sure the template is secured firmly in place so it cannot move.
- Check for adequate clearance between the sink, faucet and backsplash. Verify that the sink will not interfere with the cabinet during installation.
- Trace the outside edges of the template with a pencil.

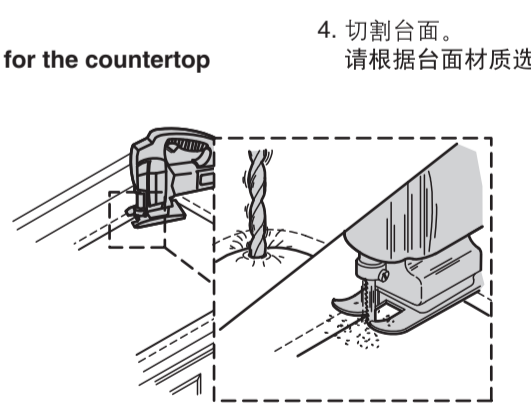
台中式安装

- 检查并确保台面厚度在25mm以上。
- 剪出切割模板。沿切割模板上面的切割线剪出切割模板。
- 划出切割线。将模板固定在橱柜台面的理想位置，确保模板已固定到位，无法移动。
- 检查水槽、龙头和后档水板之间有足够的间隔。确保水槽在安装过程中不会同橱柜干涉。
- 用铅笔划出切割模板的外缘。

4. Cut the countertop opening. Choose the correct cutting tool for the countertop material! 4. 切割台面。请根据台面材质选择正确的切割工具！



4. Cut the countertop opening. Choose the correct cutting tool for the countertop material! 4. 切割台面。请根据台面材质选择正确的切割工具！



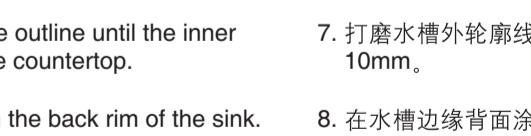
5. Place the sink into the cut-out hole, and adjust it to a proper position. 5. 将水槽放入切割孔内，并调整至期望位置。



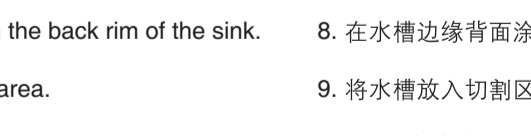
6. Trace the outside outline of the sink onto the countertop. 6. 画下水槽外轮廓线。



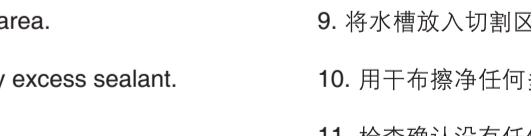
7. Polish the inner side of the outside outline until the inner side is about 10mm lower than the countertop. 7. 打磨水槽外轮廓线内区域使台面水槽外轮廓线内低于台面约10mm。



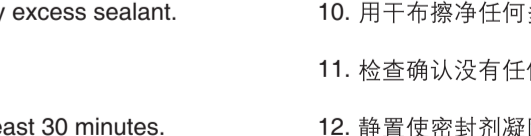
8. Apply a bead of quality sealant on the back rim of the sink. 8. 在水槽边缘背面涂一层优质密封胶。



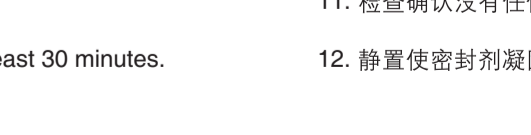
9. Position the sink onto the cut-out area. 9. 将水槽放入切割区域。



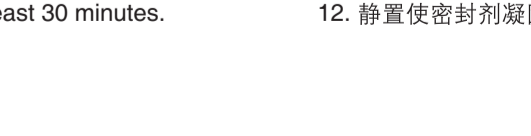
10. Use a dry cloth to wipe away any excess sealant. 10. 用干布擦净任何多余的密封胶。



11. Verify that there are no gaps. 11. 检查确认没有任何缝隙。



12. Allow the sealant to cure for at least 30 minutes. 12. 静置使密封胶凝固至少三十分钟。

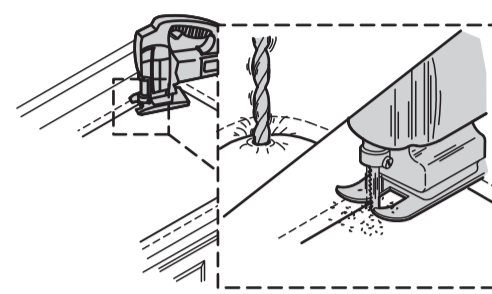


Undercounter Installations

- Verify cabinet clearance.
- Line out the cut-out line on the template. Position the template on the countertop in the desired location. Make sure the template is secured firmly in place so it cannot move.
- Check for adequate clearance between the sink, faucet and backsplash. Verify that the sink will not interfere with the cabinet during installation.
- Trace the outside edges of the template with a pencil.
- Cut the countertop opening. Choose the correct cutting tool for the countertop material!

台下式安装

- 清空柜子，预留安装空间。
- 划出切割线。将模板固定在橱柜台面的理想位置，确保模板已固定到位，无法移动。
- 检查水槽、龙头和后档水板之间有足够的间隔，确保水槽在安装过程中不会同橱柜干涉。
- 用铅笔划出切割模板的外缘。
- 切割台面。请根据台面材质选择正确的切割工具！



4. Verify all required holes correspond with the countertop cutout and/or faucet installation. If additional holes are required, refer to the "Drill Accessory Holes (Optional)" section.

4. 调整直至厨盆的所有安装孔与所切割的台面和/或龙头安装孔相吻合。若需额外的安装孔，请参阅“钻安装孔（可选）”部分。

5. Construct a wood frame for the inside of the cabinet.

5. 搭建木质框架

To ensure the weight of the sink is properly supported with a minimum of 100kg if it is installed by cabinet countertop producer.

NOTE: To ensure the weight of the sink is properly supported, the entire perimeter of the sink rim must rest on the wood frame.

如由橱柜台面制作方通过台面处理承重完成安装，需提前告知制作方确保台面可承受不小于100kg的重量。

注意：为确保本厨盆的重量得到适当支撑，厨盆的整个边缘必须搁置于木质框架上。

Construct a wood frame for the inside of the cabinet. Allow adequate clearance for the faucet valving and sink basin. Ensure the frame will support the entire sink rim.

在柜子内部搭建一个木质框架。为龙头阀门和厨盆预留足够空间。请确保木质框架足以支撑整个厨盆边缘。

NOTE: The frame should be located so that once the sink is installed, the top of the sink rim will be flush with the top of the cabinet. If needed, shims can be used to bring the sink rim flush with the cabinet walls.

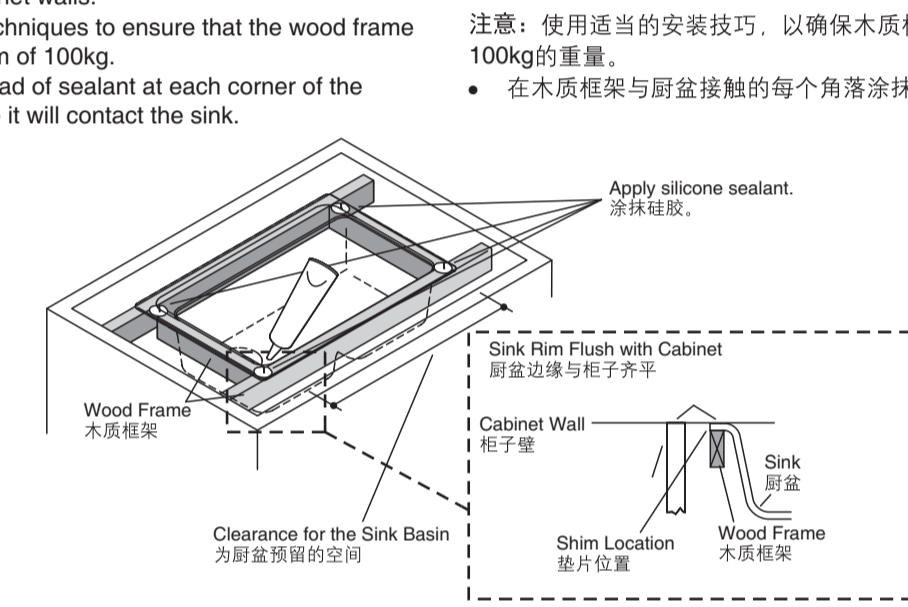
注意：木质框架须搭建于适当位置，以便厨盆安装后，厨盆边缘能够与柜子顶部齐平。若有必要，可使用垫片，以辅助两者达到齐平。

NOTE: Use proper techniques to ensure that the wood frame will support a minimum of 100kg.

注意：使用适当的安装技巧，以确保木质框架至少可以承受100kg的重量。

Apply a 2-3mm bead of sealant at each corner of the wood frame where it will contact the sink.

在木质框架与厨盆接触的每个角落涂抹2-3mm厚的硅胶。



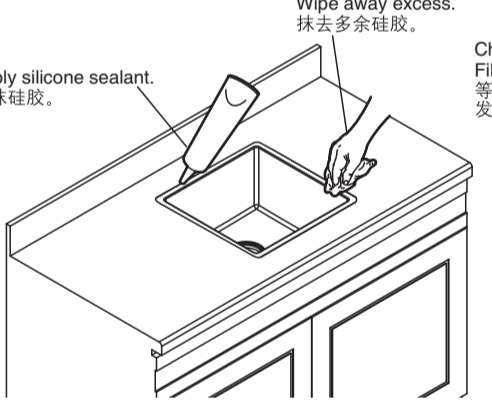
6. Install the sink

- Lower the sink into the cabinet. Verify the entire perimeter of the sink rim is supported by the wood frame.
- Verify the sink is level. Make any adjustments as needed.
- Apply a thin bead of silicone sealant where the sink meets the countertop. Immediately wipe away any excess sealant with a damp cloth. Fill any voids if needed. Recommend for mold silicone.

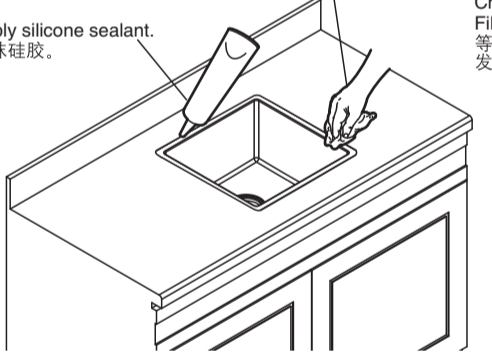
6. 安装厨盆

- 将厨盆下放至柜子，调整厨盆的整个外边缘，使其与木质框架支撑。
- 将厨盆调整至水平。如有必要，可进行任何调整。
- 在厨盆与台面接触处涂一层薄薄的硅胶。立刻用湿布抹去多余硅胶。若有任何空隙，请补涂硅胶。建议使用防霉硅胶。

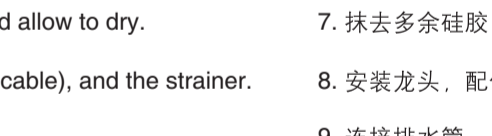
Apply silicone sealant. 涂抹硅胶。



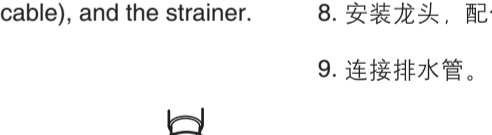
Wipe away excess. 抹去多余硅胶。



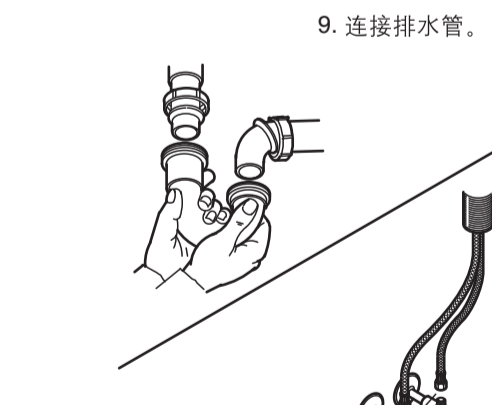
7. Wipe away the excess sealant and allow to dry. 7. 抹去多余硅胶，并待其干固。



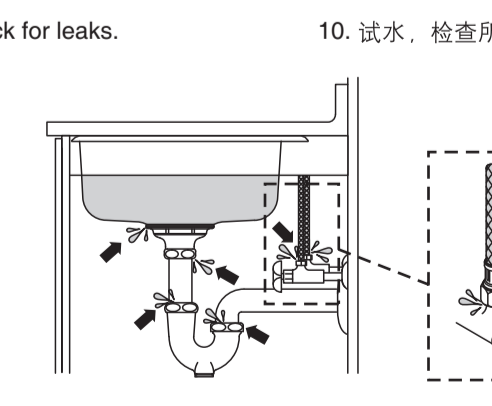
8. Install faucet, accessories (if applicable), and the strainer. 8. 安装龙头、配件(如适用)和落水等。



9. Make the drain connections. 9. 连接排水管。



10. Run water into the sink and check for leaks. 10. 试水，检查所有连接处是否存在渗漏。



CARE AND CLEANING

For best results, keep the following in mind when caring for your KOHLER product:

- Always test your cleaning solution on an inconspicuous area before applying to the entire surface.
- Wipe surfaces clean and rinse completely with water immediately after applying cleaner. Rinse and dry overspray that lands on nearby surfaces.
- Do not allow cleaners to sit or soak.
- Use a soft, dampened sponge or cloth. Never use an abrasive material such as a brush or scouring pad to clean surfaces.
- Do not use abrasive cleansers or acidic solvents on surfaces as they may cause surface dullness or discoloration.
- Wipe your product with a soft cloth after each use to prevent a buildup of soap and scum.
- Extreme heat such as that generated by cigarettes or portable heaters can damage surfaces. Do not use such items near your product.

保养和清洁指南

为达到最佳使用效果，请按照以下要求护理您的科勒产品。

- 在使用清洁剂清洗整个产品表面前，请先在产品的不起眼处试用。
- 试用清洁剂后，请立即用清水清洗和漂洗产品表面。同时请清洗并擦干溅于产品四周的清洗剂。
- 请勿用清洁剂浸泡或长时间停留在产品表面。
- 使用柔软湿润的海绵或布。请使用刷子或百洁布等磨蚀性材料擦拭产品表面。
- 请勿在表面使用磨蚀性清洁工具或酸性溶液，以免使产品表面褪色或失去光泽。
- 每次使用后，请用柔软的布擦拭产品表面，以避免皂液或污渍的堆积。
- 由香烟或便携式加热器等物品所产生的高热会损坏表面。请勿在产品附近使用此类物品。

1619873-K2-A