

KOHLER®

K-34451T/K-P34451T PROLOGUE 普罗

SGL UC SINK
单槽台下厨盆
CUT-OUT TEMPLATE / INSTALLATION INSTRUCTIONS
切割图/安装说明书

BEFORE YOU BEGIN

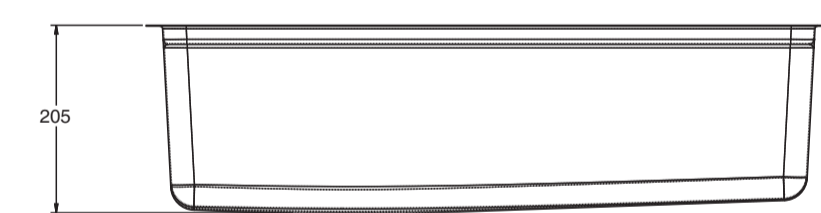
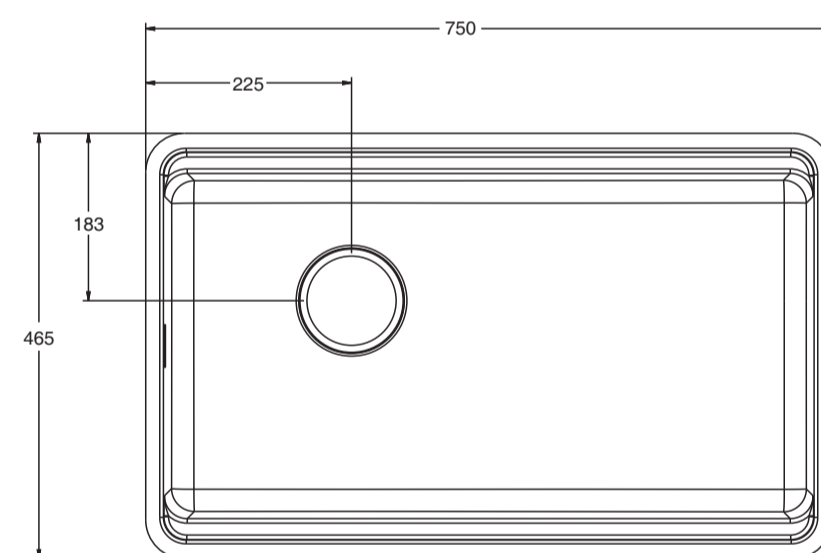
- ⚠ WARNING: Risk of personal injury. Metal surfaces are sharp and can cause severe cuts. Use gloves and handle sink edges carefully.**
- Read the installation instructions before using the product.
 - Observe all local plumbing and building codes.
 - Shut off the hot and cold water supplies.
 - Prior to installation, unpack the new sink and inspect it for damage. Return the sink to its protective carton until you are ready to install it.
 - Inspect the drain and supply tubing. Replace if necessary.
 - All information in these instructions is based on the latest product information available at the time of publication. Kohler China reserves the right to make changes at any time without notice.
 - This product complies with Q/KLCW 1.

RECOMMENDED TOOLS AND MATERIALS

- Pencil and Marker
- Measuring Tape
- Drill
- Scissors
- Sealant
- Safety Glasses
- Keyhole/Compass or Saber Saw
- Putty Knife

ROUGHING-IN

Reference Value
参考值
T=0.8/1.0
厚度: 0.8/1.0



Kohler reserves the right to change marked dimensions without prior notice.
科勒公司保留随时变更图中标示尺寸的权利, 无需另行通知。

安装之前

- ⚠ 警告: 小心人身伤害。金属表面非常锋利, 可能导致严重的划伤。请使用手套, 并小心接触水槽边缘。**
- 使用产品前请阅读使用说明书。
 - 遵循当地所有的管道和建筑规范。
 - 关闭冷热供水。
 - 在安装之前, 请打开新水槽的包装, 检查产品是否有损坏。将水槽放回其保护性的纸箱包装, 直到您准备安装。
 - 检查供水和排水管道。如果需要, 请更换管道。
 - 此手册中的所有资料按照出版时的最新产品资料编写。科勒公司保留在任何时候不需通知便可进行更改的权利。
- 本产品符合Q/KLCW 1。

推荐使用的工具和材料

- 铅笔及标记笔
- 测量尺
- 钻孔机
- 剪刀
- 硅胶
- 安全眼镜
- 锁眼锯或剃齿锯
- 灰泥刀

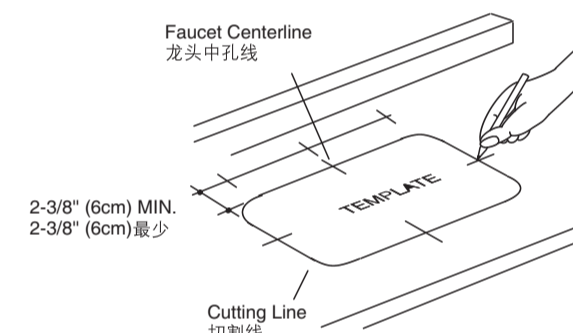
尺寸图

UNIT: mm
单位: 毫米

INSTALL THE NEW SINK

1. Position the Template

- Cut the template following the lines marked "Cut on this line".
 - Position the template on the countertop in the desired location. Make sure the template is secured firmly in place so it cannot move.
 - Check for adequate clearance between the sink, faucet and backsplash. Verify that the sink will not interfere with the cabinet during installation.
 - Trace the outside edges of the template with a pencil.
- NOTE:** For multiple sink installations, a minimum distance of 2-3/16" (5.6cm) is required between the sinks.
- Locate the faucet hole center lines on the countertop. The faucet hole clearance from the top of the cutout must be 2-3/8" (6cm) minimum.



2. Cut the Sink Mounting Holes

- ⚠ CAUTION: Risk of product damage. To avoid damage to the sink, do not cut, drill, or sand the countertop while it is positioned over the sink.**
- Before cutting, measure the cut-out line and compare it to the overall sink dimension.
 - Drill a pilot hole inside the cut-out line.
 - Using a saber or keyhole saw, cut along the inside of the cut-out line.
 - Drill the required faucet holes and install the faucet to the countertop according to the faucet manufacturer's instructions.

安装新水槽

1. 固定切割模板

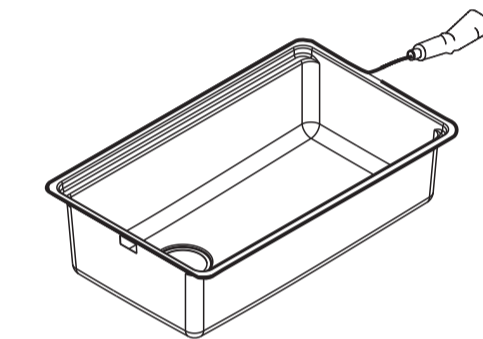
- 沿着标注的“沿此线切割”剪出切割模板。
 - 将模板固定在橱柜台面的理想位置。确保模板已固定到位, 无法移动。
 - 检查水槽、龙头和后挡水板之间有足够的间隙, 确保水槽在安装过程中不会同橱柜干涉。
 - 使用铅笔划出切割模板的外缘。
- 注: 对于多水槽安装, 水槽之间至少要距离2-3/16" (5.6cm)。
- 在橱柜台面上找到龙头中心线。龙头孔和切割模板顶部的距离至少需为2-3/8" (6cm)。

2. 切割水槽安装孔

- ⚠ 注意: 小心人身伤害。为防止损坏水槽, 当橱柜台面位于水槽上方时, 请勿对橱柜台面进行切割、钻孔或磨砂操作。**
- 切割前, 首先测量切割线尺寸, 并将其与整体水槽的尺寸进行比较。
 - 在切割线内试钻一个孔。
 - 使用钢锯或锁眼锯沿切割线内切割。
 - 根据要求钻龙头孔, 然后根据说明将龙头安装至橱柜台面。

3. Install the Sink

- Apply a bead of silicone sealant or rubber sealant around the inner rim of the sink.
- Reverse the countertop and fix the sink to the countertop bottom with clips or other fastener.
- Use a dry cloth to wipe away any excess sealant.
- Verify that there are no gaps.
- Allow the sealant to cure for at least 30 minutes.
- Reverse the countertop back and fix into the cabinet.



4. Connect Water Supply and Test

- Install the garbage disposal, if used, according to the manufacturer's instructions.
- Connect and tighten the trap to the strainer, and complete the water supply connections to the faucet according to the instructions packed with the faucet.
- Run water into the sink and check for leaks.

CARE AND CLEANING

Stainless Steel

Rinse your stainless steel sink thoroughly after each use, and use a dabbing action to dry with a clean, soft cloth. Clean stainless steel once a week.

Always apply stainless steel cleaner/polish with a nonabrasive cloth or sponge, working with, not across the grain. **Do not** use steel wool, wire brushes or abrasive pads to clean your sink.

If you use cleaners containing chlorides, be sure to rinse the surface immediately after you clean it to avoid corrosion. **Do not** allow cleaners to remain in contact with the sink surface for long periods of time.

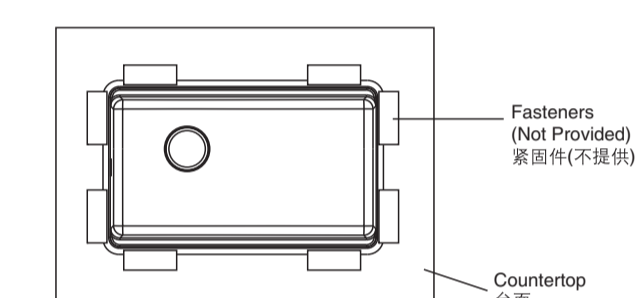
Kohler kitchen sink accessories, including bottom basin racks, wire rinse baskets, cutting boards and colanders will help protect the surface of your sink.

If the surface becomes excessively dirty, consider using baking soda, or a general purpose cleaner.

⚠ Do not use wet cloth, water or other liquid to clean the undercoating on the back of the sink.

3. 安装水槽

- 沿水槽边缘靠近内缘处涂抹硅胶或橡胶密封胶。
- 将台面倒置, 使用安装夹或其它固定件将水槽固定于台面底部。
- 用一块干布, 擦掉任何多余的密封胶。
- 确认没有任何缝隙。
- 让密封胶凝固至少三十分钟时间。
- 将台面翻转安装至底柜上。



4. 连接供水及测试

- 如果使用垃圾处理器的话, 根据生产商指示, 安装垃圾处理器。
- 连接并拧紧下水器和下水管, 根据龙头所附的指示完成通往龙头的供水连接。
- 将水注入水槽, 检查是否漏水。

保养和清洁指南

不锈钢

每次使用后, 请彻底冲洗您的不锈钢水槽, 并使用清洁的软布将其擦干。对于不锈钢用品, 请每周清洗一次。

请使用非磨损性的布或海绵, 并用不锈钢专用清洁剂/光亮剂进行清洗, 而不要使用带颗粒的清洁剂。请不要使用钢丝球、钢丝刷或者研磨性的抹布清洁不锈钢水槽。

如果您使用了含有氯化物的清洁剂, 在您清洁水槽之后, 请立即对水槽表面进行冲洗, 以防止腐蚀。不要让清洁剂在您的水槽表面停留过长时间。

科勒厨房水槽附件, 包括底部盆架、金属丝冲洗篮、砧板和沥水篮均有助于保护您的水槽表面。

如果水槽表面很脏, 使用碳酸氢钠, 或普通的清洁剂进行清洗。

⚠ 不要用湿布、水或其他液体清洁水槽背面的底涂层。

430 mm

717 mm

RIM OF SINK
水槽边缘

CUT ALONG THIS LINE
沿此线切割

ZHUHAI KOHLER KITCHEN & BATHROOM PRODUCTS CO., LTD NO.15, XIN QING
LIU ROAD, JING AN TOWN, DOU MEN DISTRICT, ZHUHAI, PRC POST CODE: 519180
珠海科勒厨卫产品有限公司 珠海市斗门区井岸镇新青六路15号 邮编: 519180

1619876-T2-A

© Copyright Kohler China Investment Co., Ltd. 2024
© 版权为科勒(中国)投资有限公司所有 2024