

**16230T-4 单孔面盆龙头**  
**16231T-4 高把单孔面盆龙头**

### 安装之前

### BEFORE YOU BEGIN

所有的资料是按最新出版的产品资料编写而成。科勒公司保留任何时候不经通知即可改变产品特性、包装或产品可供类型的权利。

All information is based on the latest product information available at the time of publication. Kohler Co. reserves the right to make changes in product characteristics, packaging, or availability at any time without notice.

说明书包括重要的安装、保养及清洁方面的内容，请把这些资料交给用户阅读。

Please leave these instructions for the consumer. They contain important information.

#### 注意事项：

1. 一定要先彻底冲洗供水管以清除管道中的杂质。
2. 检查供水管有无损坏。如需要，进行替换。
3. 遵守当地管路安装条例。
4. 尽可能在安装面盆之前安装水龙头。

#### NOTES:

1. Flush the water supply pipes thoroughly to remove debris.
2. Inspect the supply tubing for damage. Replace as necessary.
3. Observe local plumbing codes.
4. If possible, install this faucet before installing the lavatory.

### 使用说明

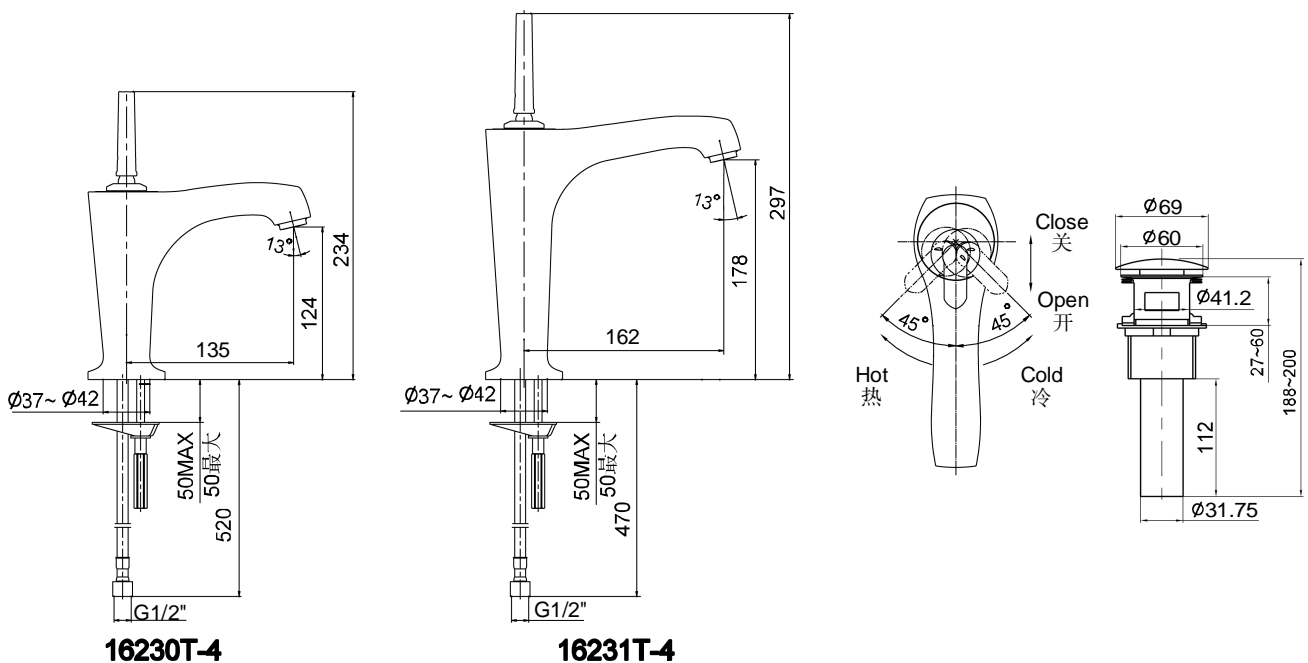
### HANDLE OPERATION

开关龙头及冷热水操作如下图所示。

Operation for open and close, hot and cold water as shown below.

### 安装尺寸

### ROUGH-IN DIMENSIONS

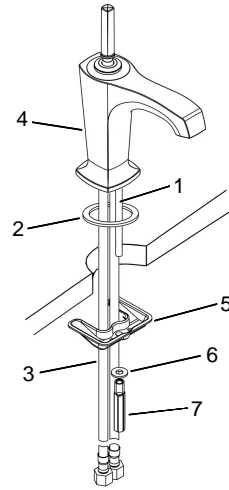


## 安装步骤

## INSTALLATION

### 如何安装水龙头

将安装组件中的固定螺杆(1)装在龙头底部孔中,将垫片(2)通过软管(3)和固定螺杆放入本体(4)底部,将软管(3)和固定螺杆插入面盆的安装孔中。调整好水龙头的位置。从面盆下方依次将托架(5)、垫片(6)套在固定螺杆上,用螺母(7)锁紧,将水龙头固定。



把软管接到水源。**注意:**带有红色标记的软管接热水。

### How To Install The Faucet

Screw the stud(1) to the thread hole on the bottom of faucet. Put the washer(2) into the bottom of body(4) through the flexible hoses (3) and the stud. Insert hoses(3) and stud into the hole of lavatory. Position the faucet. From underside of the lavatory, fit the bracket(5) and washer(6) on the stud. Secure the faucet by tightening nut(7).

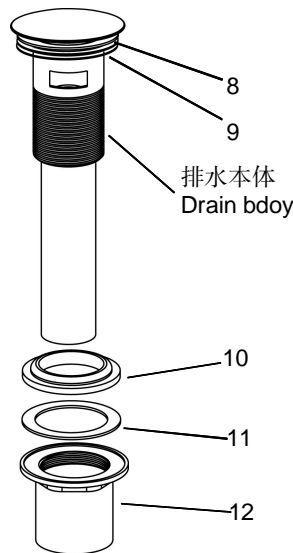
Attach the hoses to water supplies. **Note:** The hose with red mark is connected to hot water.

### 如何安装排水器

将锁紧螺母(12)、塑料垫片(11)、橡胶垫圈(10)从排水本体上取下。把排水本体从面盆上部孔插入。再依次将橡胶垫圈(小面朝上)、塑料垫片和锁紧螺母从排水本体底部装入。锁紧螺母。

**注意:** 如果需要,可直接在排水器法兰(8)底面沿周围涂一圈密封油灰或其它密封剂,而不使用橡胶垫片(9)。

在锁紧螺母拧紧后,不可调整排水本体的位置,否则会破坏油灰或密封剂密封。去除多余的油灰。



### How To Install The Drain

Remove the locknut(12), plastic washer(11), rubber gasket(10) from the drain body. Insert the drain body into the lavatory. Reinstall the rubber gasket (Tapered side up), plastic washer and locknut back to the drain body in turn. Tighten the locknut.

**Note:** If needed, apply a ring of plumbers putty or other sealants around the underside of the drain flange(8), instead of using rubber washer(9).

Do not reposition the drain after the locknut is tightened, or you may break the putty or sealant seal. Remove any excess putty.

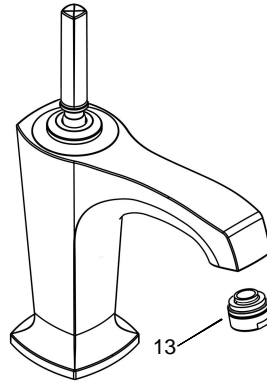
## 安装结果检查

## INSTALLATION CHECKOUT

检查并确保所有的衔接螺母都已拧紧。确保把手在“关”的位置。

打开排水器和主要供水源,检查并修理有漏水的接口。

将起泡器(13)卸下,打开水龙头的冷热水,让水流出约一分钟以清除杂质,检查渗漏。冲洗起泡器,关闭水龙头后,重新装回起泡器。



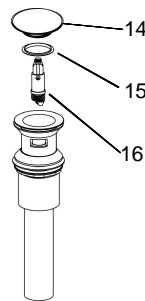
Ensure all coupling nuts are tight. Ensure that handles are in the off position.

Turn on the drain and main water supply. Check for leaks. Repair as required.

Remove aerator assembly(13). Turn faucet handle on.Run hot and cold water through spout for about one minute to remove any debris. Check for leaks at this time. Remove any debris from aerator assembly. Shut the faucet off and reinstall aerator assembly.

## 更换止水垫及活塞组件

逆时针旋下止水塞(14),取出止水垫(15)。更换新的止水垫。逆时针旋下活塞组件(16),更换新的活塞组件。装回止水垫及止水塞。



## Replacing Washer and Piston Kit

Turn counterclockwise to remove the stopper(14). Take out washer(15). Replace with a new one. Turn counterclockwise to remove the piston kit(16). Replace with a new one. Reinstall stopper and washer.

## 清理说明

## CLEANING INSTRUCTIONS

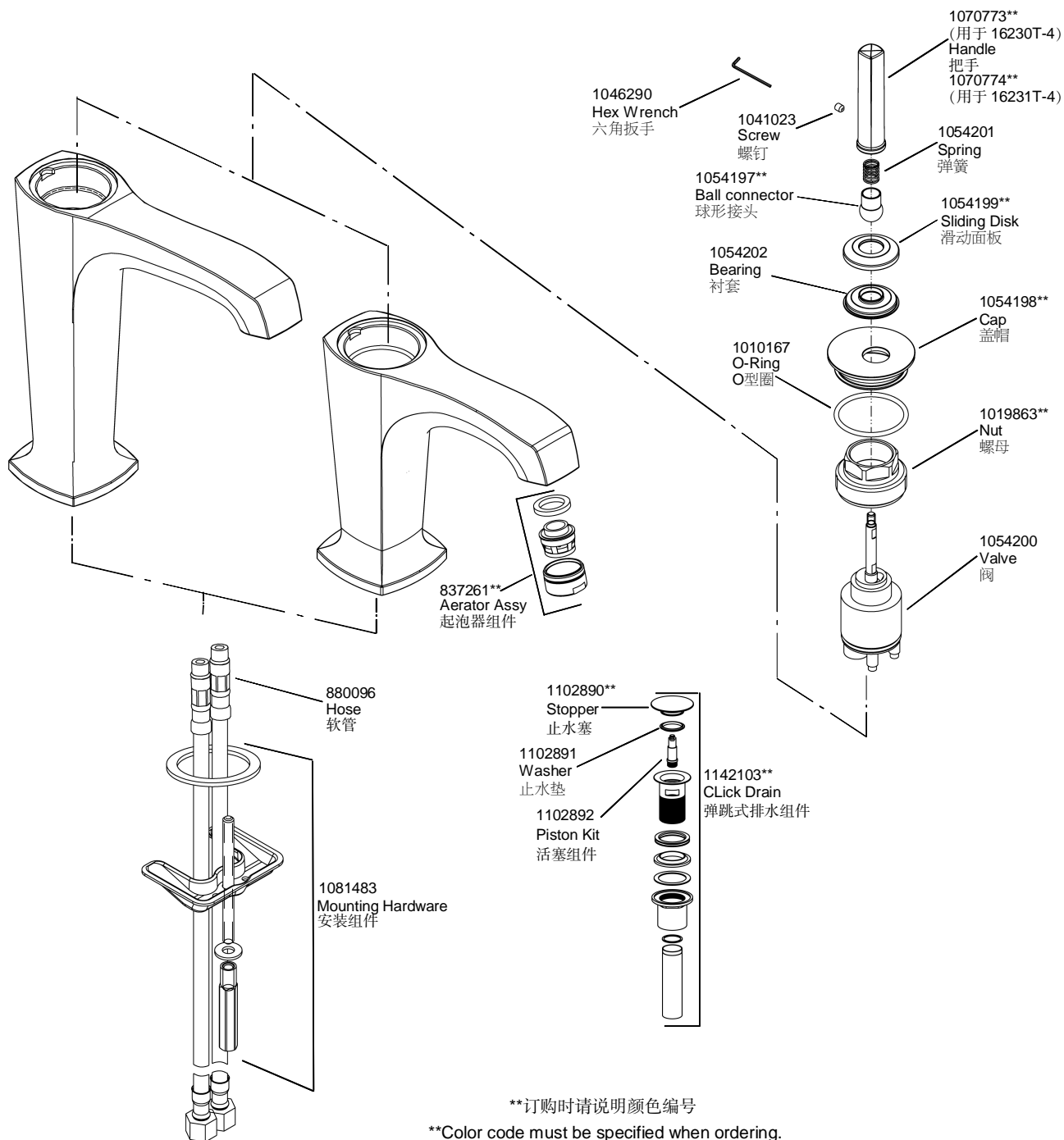
适用于所有加工处理过的表面:以中性肥皂水清洗镀层表面,再以干净的软布彻底擦干整个表面。许多清洁剂,比如氨水、去污粉及洁厕灵等,会对电镀表面造成伤害,切忌使用。

有腐蚀性的清洁剂或溶剂不可使用于科勒牌的水龙头及其附件上。

All Finishes: Clean the finish with a mild soap and warm water. Wipe entire surface completely dry with a clean soft cloth. Many cleaners may contain chemicals, such as ammonia, chlorine, toilet cleaner etc, which could adversely affect the finish and are not recommended for cleaning.

Do not use abrasive cleaners or solvents on Kohler faucets and fittings.

16230T-4 单孔面盆龙头  
16231T-4 高把单孔面盆龙头



\*\*订购时请说明颜色编号

\*\*Color code must be specified when ordering.