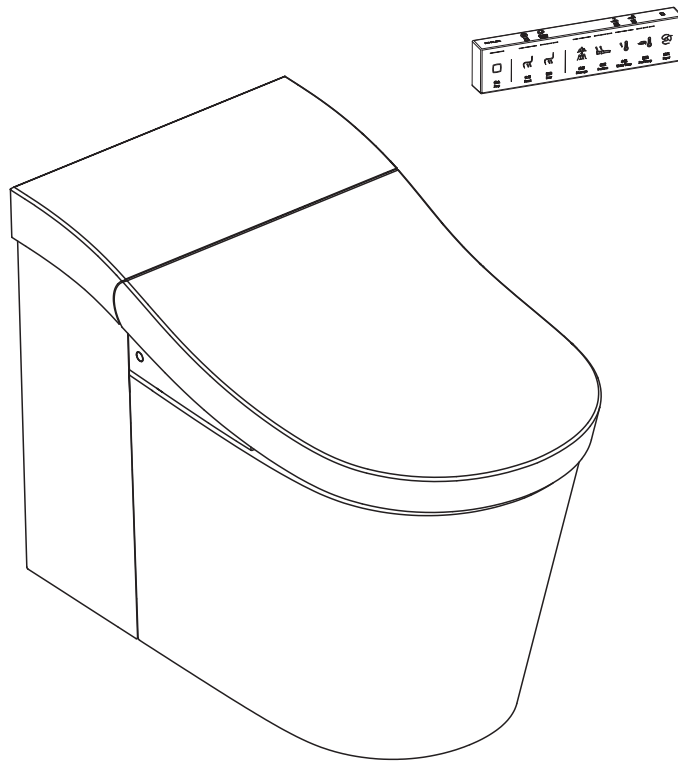


Installation Guide

安装说明

INNATE INTELLIGENT TOILET

星朗智能座便器



科勒（中国）投资有限公司

中国上海市静安区江场三路158号 邮编：200436




制造商：上海科勒电子科技有限公司

中国上海市宝山区丰翔路1955号 邮编：200444

BEFORE YOU BEGIN

- Please read the following instructions carefully and familiarize yourself with the required tools, materials, and installation sequences. Follow the section that pertains to your particular installation. This will help you avoid costly mistakes. In addition to proper installation, please also read all operating and safety instructions.
- All information in the instructions is based upon the latest product information available at the time of publication. Kohler China reserves the right to make changes in product characteristics, packaging, or availability at any time without notice.
- These instructions contain important care, cleaning, and warranty information - please leave instructions for the consumer.
- We appreciate your commitment to Kohler quality. Please take a few minutes to review this manual before installation. If you encounter any installation or performance problem, please don't hesitate to contact us. Thanks again for choosing Kohler Company.
- Pre-arrange enough space for toilet installation. Make sure it will not affect the opening and closing of the door.
- When install the product in the room, a stop valve shall be installed in a close proximity. For emergency circumstances, the water inlet valve shall be stopped without using any tools; otherwise unexpected failure may cause the loss to the customer.
- Confirm discharge pit dimension distance is 305mm or 400mm, ± 28 adjustable. If not, the installation will be compromised.
- Confirm water supply stop must extend no more than 3mm beyond the finished wall or sink no more than 5mm below finished wall or the installation will be compromised.
- DN15mm or larger main water pipe is recommended.
- Do not use attachments not recommended by Kohler Co. such as angle valve etc.
- In order to achieve a better flush performance, customer shall avoid any obvious pipe necking or blockage from thermal melt during PPR pipe connection, and ensure ID no less than 15mm after connection.
- Reserve cables during wall preparation. Cable spec is 1mm²-2.5mm² hard wire, connect only to 220V~, 50Hz, 10A or more circuit protected with grounded circuit-breaker or grounded electric leak circuit breaker.
- When user cut power supply off, if reactivation of power supply is required, please wait until the end of "beep....." indication, and then turn on power supply again.
- The toilet must be grounded properly.
- Fixed wiring center must be equipped with electric shock opening so to disconnect the power completely when level III overload condition occurred.


NOTE

-  **DANGER:** Risk of electric shock. Disconnect power before using.
-  **WARNING:** Risk of electric shock. Connect only to circuits protected by Ground-Fault Circuit-Interrupters (GFCI's) or Earth-Leakage Circuit-Breakers (ELCB's).
-  **CAUTION:** Risk of hazardous gases. If a new toilet is not installed immediately, temporarily place a rag in the floor flange opening.

NOTICE: Follow all local plumbing and electrical codes.

NOTICE: Receptacles (if any) installed in bathrooms shall be located at least 1 meter from a bathtub or shower if practical.

- Observe all local plumbing and building codes.
- Carefully inspect the new toilet for damage.
- Water and electrical supplies may be wall mounted.

-  **WARNING:** Risk of electric shock for hardwires installations/through-floor electrical supply: Connect only to properly-grounded, dedicated 220V~, 50Hz, 10A circuit protected by a Class A Ground-Fault Circuit-Interrupter (GFCI) or Earth- Leakage Circuit- Breaker (ELCB).

 **WARNING: 10A receptacle is required.**

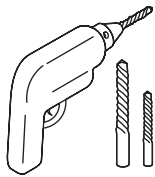
Tools and material (Not supplied)

Drill and bits, expansion bolt and inserts, gaskets, assorted screwdrivers (crosshead, flat and hex), wire stripper, scissor, socket wrench, utility knife, pen, pliers, tape, test pencil, PTFE Tape

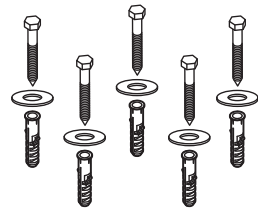
Others

Pad and protection material

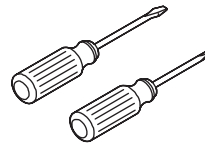
Masking tape



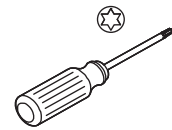
Drill and bits



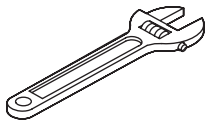
Expansion bolt and inserts, gaskets



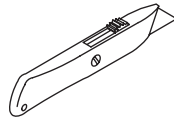
Screwdriver



Hex head screwdriver



Socket wrench



Utility knife



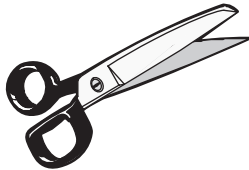
Pen



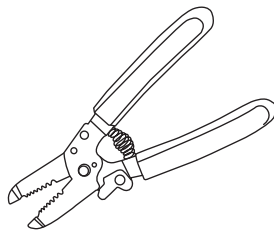
Pliers



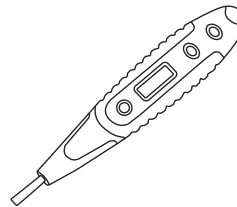
Tape



Scissor



Wire stripper



Test pencil

Overall Sketch

Unit: mm

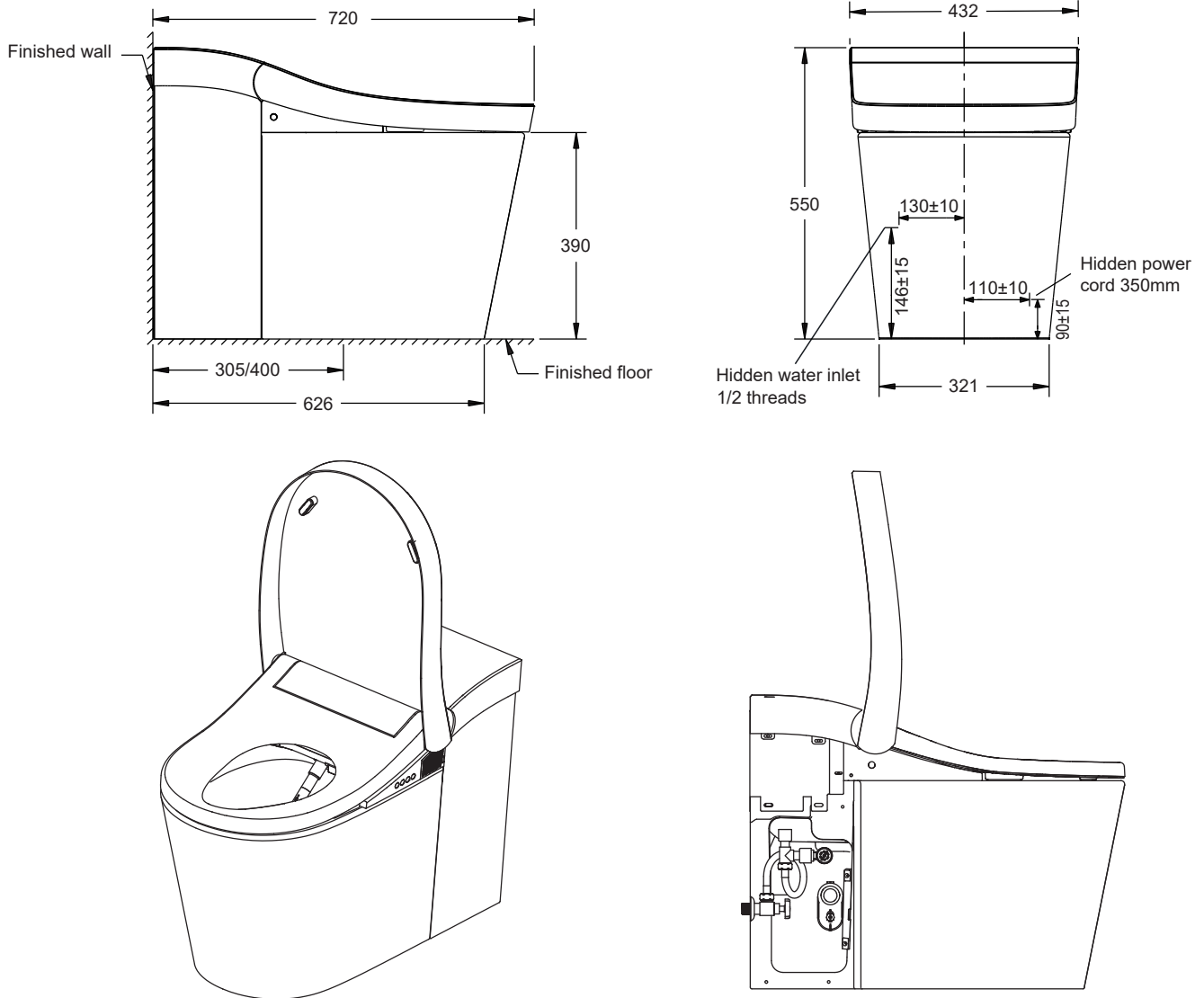


Fig 1

Kohler reserves the right to change marked dimensions without prior notice.

SPECIFICATIONS

Flush volume	5.5L
Water efficiency grade*	Level III
Minimum rough-in	305mm/400mm
Water pressure	min inlet water pressure 0.07MPa (dynamic) max inlet water pressure 0.74MPa
Rated voltage	220V~, 50Hz
Rated power*	1100W
Outline Dimension	About 720mm x 432mm x 550mm
Product Weight	About 51kg
Inlet water temp	1-35°C
Operation Environment	1-40°C

NOTE: refer to "Homeowner's Guide" for detailed specifications of the toilet.

* The description of water efficiency label marked on intelligent toilet: water efficiency label represents a compliance mark of the water efficiency grade etc. performance of intelligent toilet.

* Power value testing condition: dynamic pressure 0.2MPa, inlet water temp 15°C.

PREPARATIONS BEFORE INSTALLATION

A. Hold the rim of the vitreous shell and take the toilet out.

WARNING: Risk of personal injury and product damage! Please do not hold the rim of the bidet seat when lifting the toilet. As the toilet is heavy, please seek help if necessary.

Note: do not remove cover and seat protection bag during installation process.

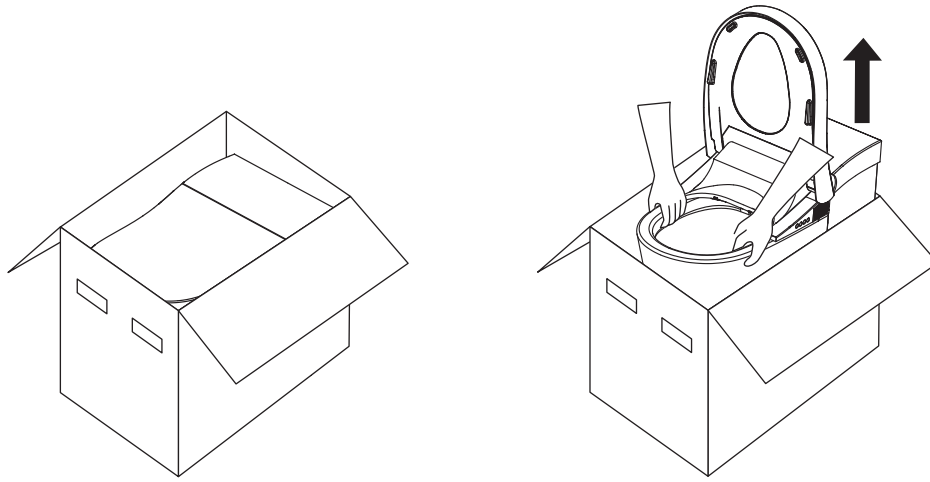


Fig 2

B. Place an 800mmX800mm cushion on the floor, take the toilet out from the carton then place on cushion.

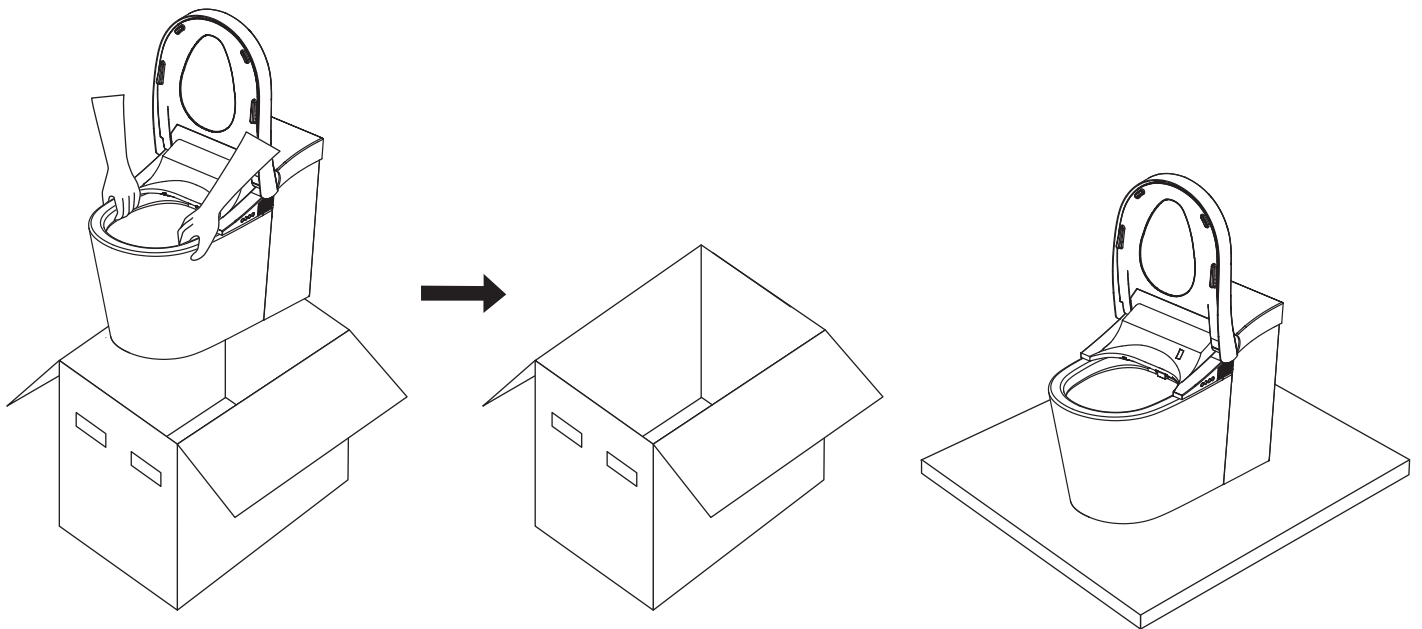


Fig 3

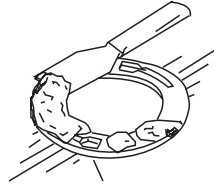
INSTALLATION

A. Remove Existing Toilet (If any)

Turn off the water supply. Flush the toilet, and use a sponge to remove the remaining water from the tank and bowl. Disconnect water supply shut-off valve (if any), and remove the residual tank and bowl.

Remove old gasket from the floor and toilet flange accessory bag with a putty knife. Dismantle residual T-bolts and discard them.

NOTICE: if a new toilet is not installed immediately, temporarily stuff a rag in flange accessory bag.



Flange accessory package

Fig 4

B. Roughing-in

⚠ DANGER: Risk of electric shock. Disconnect power supply before servicing.

NOTE: This product is designed to work with wall mounted electrical and water supplies as shown in the mounting dimensions.

⚠ WARNING: Risk of electric shock. Connect only to circuits protected by Ground-Fault Circuit-Interrupters (GFCI's) or Earth-Leakage Circuit-Breakers (ELCB's).

⚠ Keep bath and shower head away from electrical parts (such as remote controller, receptacle etc). When the electrical supply is mounted on the wall, an anti-splash and waterproof receptacle is required.

Unit: mm

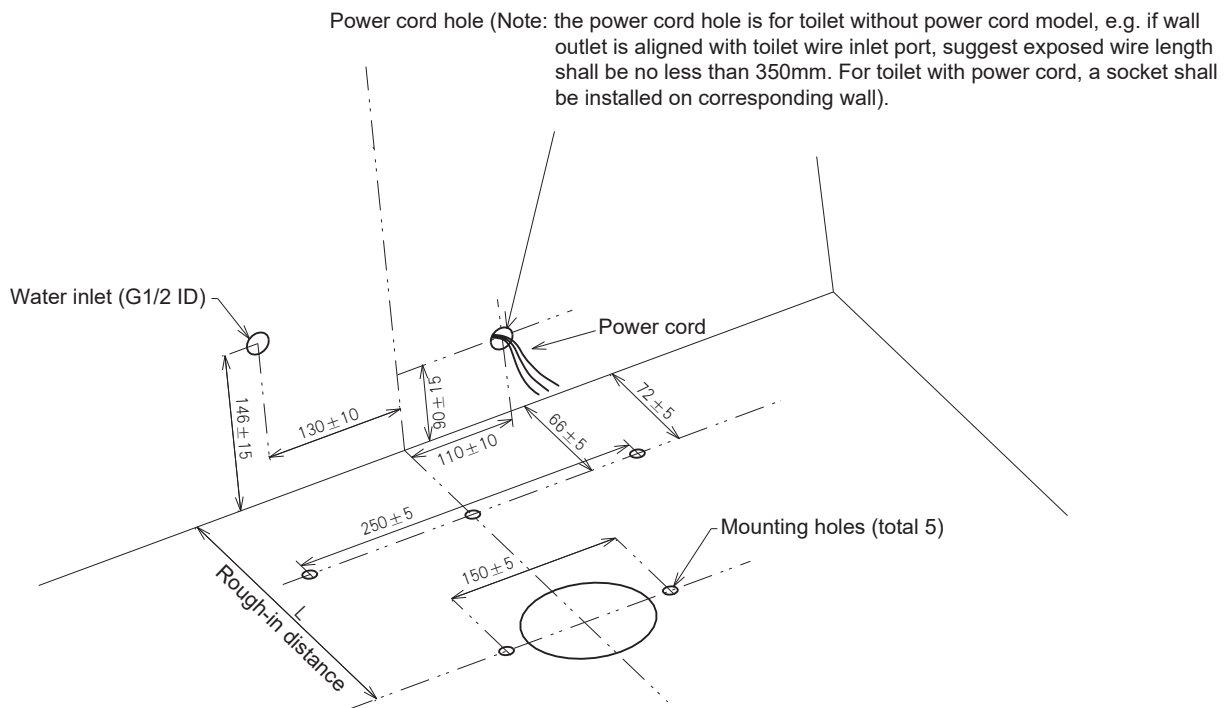


Fig 5

- C. 1、 Confirm the drain hole center and mark down the “+” centerline perpendicular to the finished wall.
- 2、 Confirm the toilet drain hole center and mark down the centerline on front, back, left and right outside of toilet.
- 3、 Make sure the toilet side mark symbol is align to the drain hole centerline on the finished floor. Mark down the left and right holes.

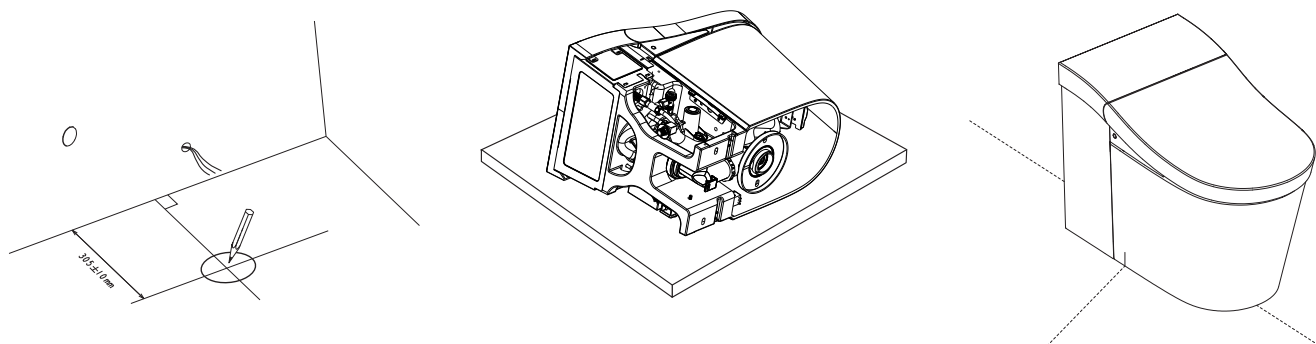


Fig 6

D. Drill 5 holes and insert two plastic insert and T-bolts (Purchased by customer).

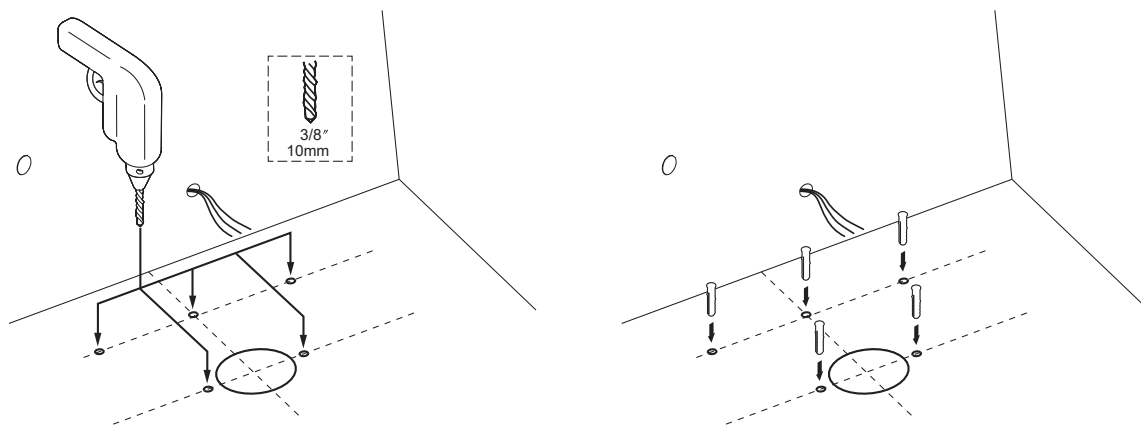
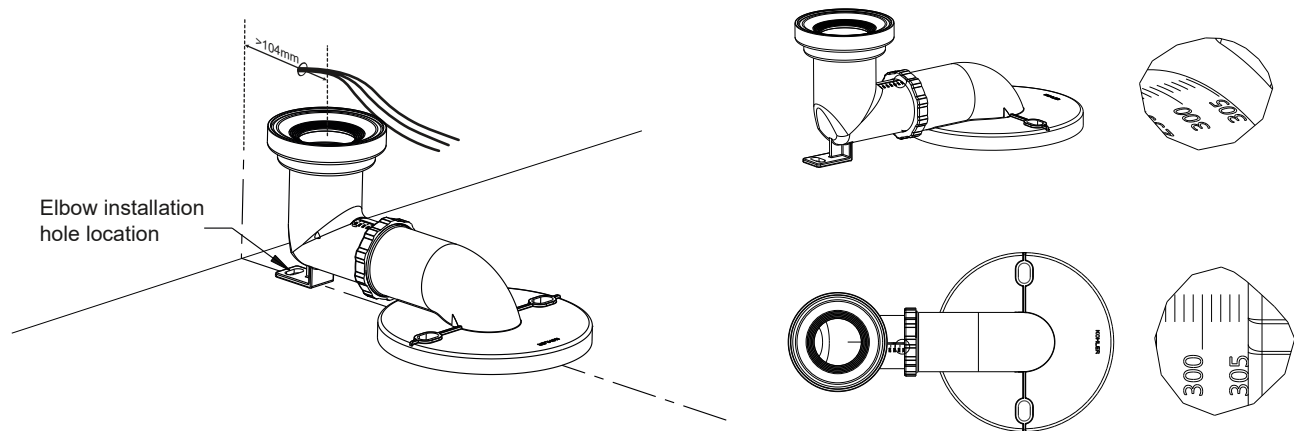


Fig 7

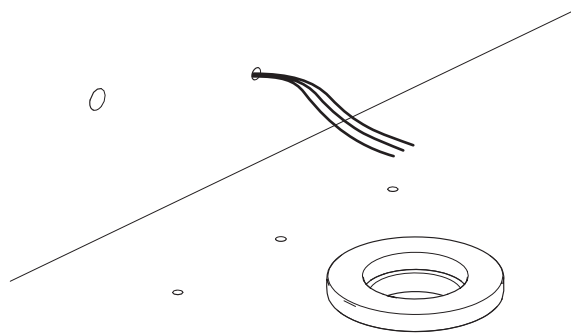
E. Discharge pipe installation

1. Take discharge pipe out, adjust to meet following condition:
 - a. Align discharge pipe with floor discharge port.
 - b. Align floor mounting hole to each hole.
 - c. Upper discharge port center to wall distance is larger than 104mm.
Then tighten big nut on discharge pipe.

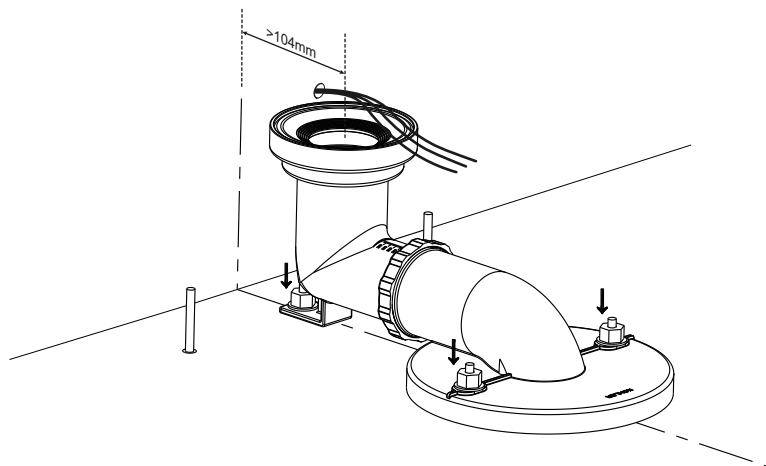
Note: ensure floor flatness. For 305 mm model, adjusting ranges is 277~333mm, for 400mm model, adjusting range is 372~428mm; the nut must be locked after adjustment. when start adjusting elbow, it will be easier to adjust by loosening nut first, rotate two elbow and then rotate back to home position.



2. Align wax center with floor drain hole and place on floor.

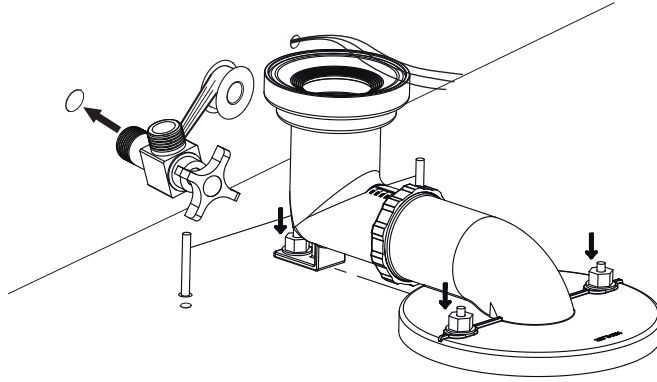


3. Secure discharge pipe by 3 bolts and gaskets on the floor, and ensure discharge elbow center distance to wall distance is larger than 104mm.



F. Angle valve installation

1. Wrap angle valve by PTFE TAPE and connect with water hole on the wall.



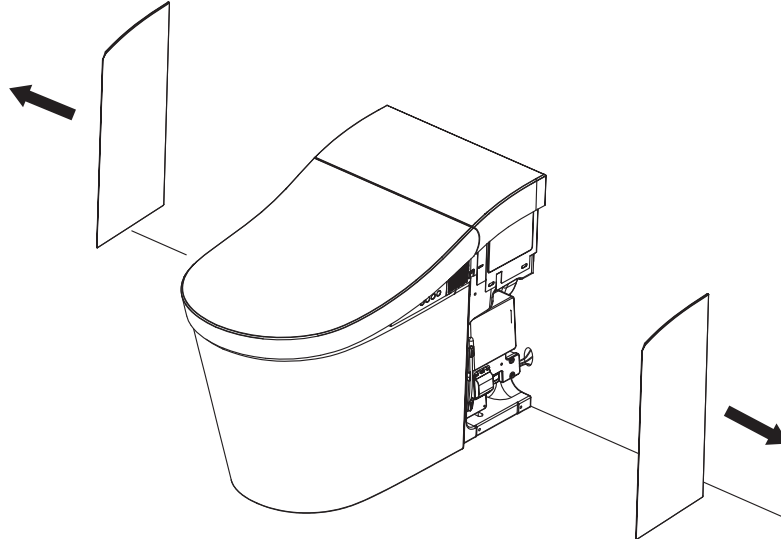
2. Angle valve switching method

Turn clockwise is OFF, turn counter-clockwise is ON.

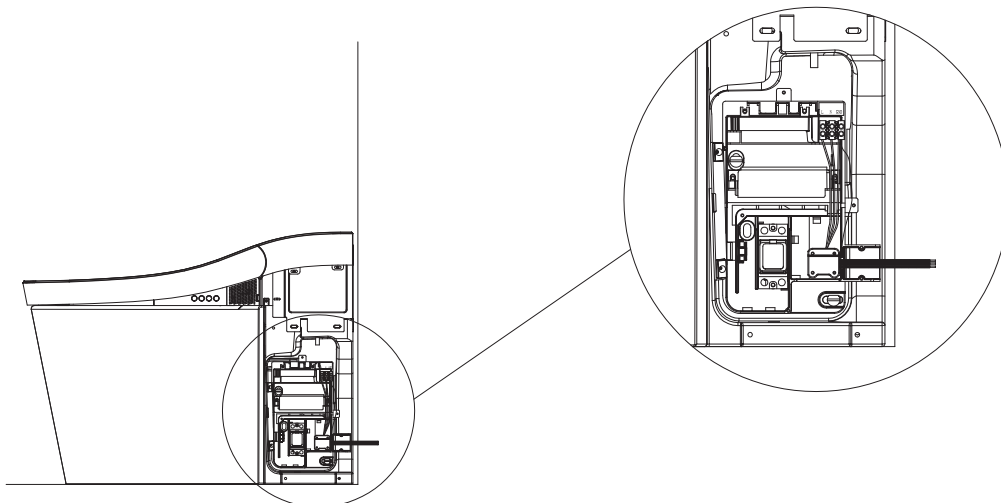
Note: After the intake valve is connected, discharge water completely.

G. Dismantle left/right side panel and junction box cover






1. Open toilet side panel on both sides.



2. Open junction box cover by screwdriver on power supply side.



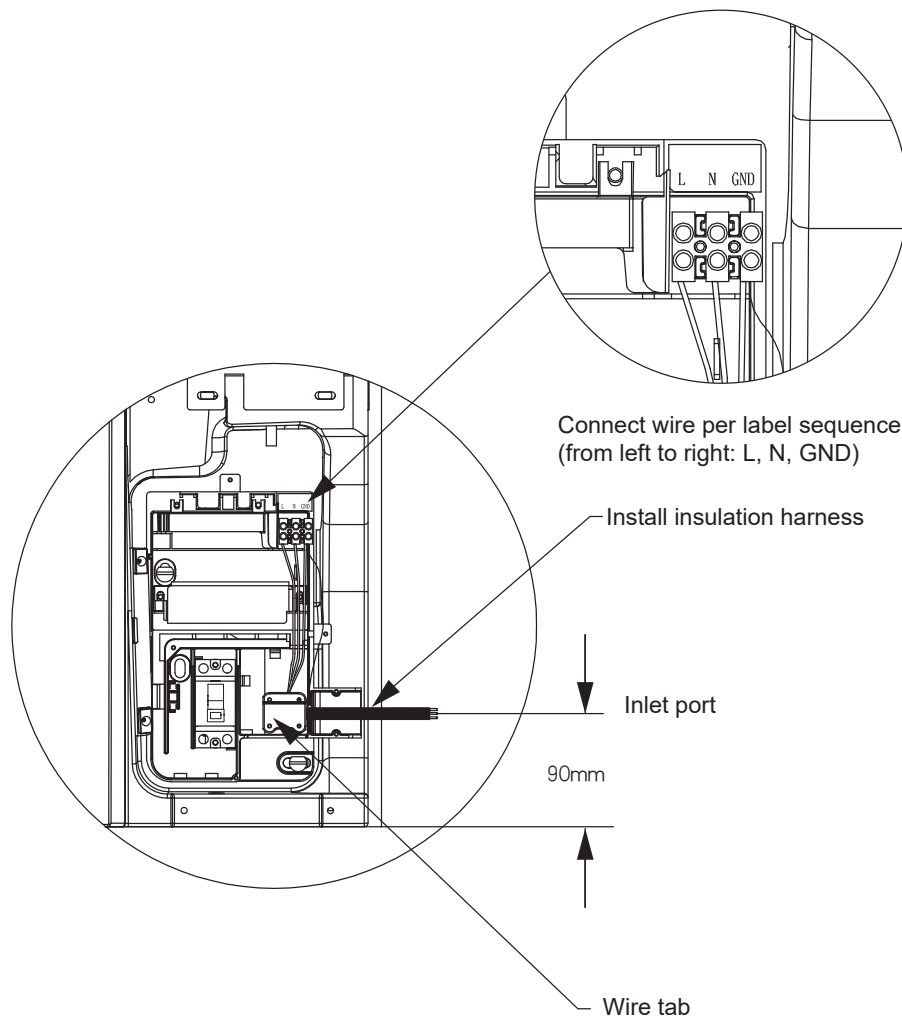
H. Power cord arrangement

-  DANGER: Risk of electric shock. Disconnect power supply before servicing.
-  DANGER: Risk of electrical shock. For plug-in installations/wall-mounted electrical supply: connect only to a properly-grounded, grounding-type receptacle protected by a Ground-Fault Circuit-Interrupter (GFCI). Do not remove the grounding pin or use a grounding adapter.
-  DANGER: Risk of electrical shock. Connect only to a properly-grounded, dedicated 220V~, 50Hz, 10A circuit protected by a Class A Ground-Fault Circuit-Interrupter (GFCI) or Earth-leakage Circuit-Breaker (ELCB).
-  Note: no extended wire is allowed.
-  Note: receptacle without grounding wire is not allowed. (Series with power cord)

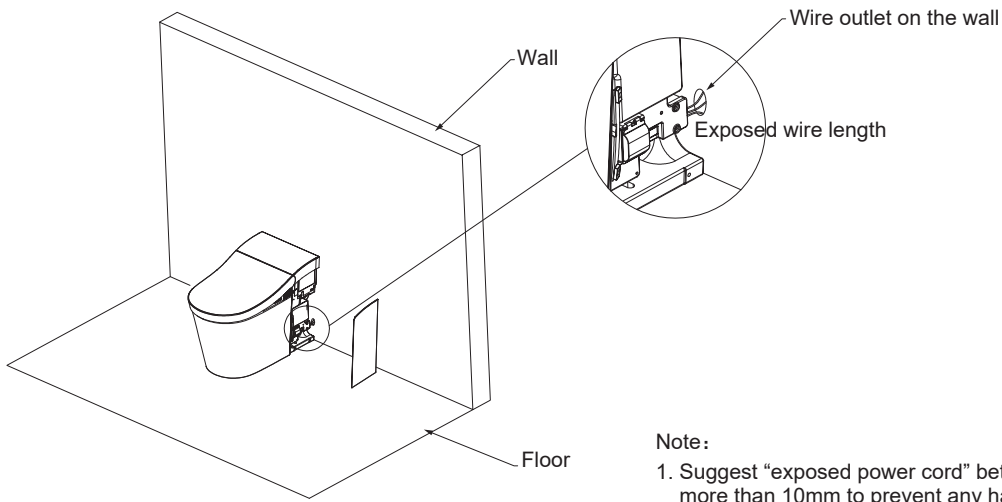
NOTE: This product is designed for installation with the electrical supply attached to the wall. Both types are illustrated.

Refer to the dimensional information for your chosen installation.

- 1、 Confirm main power supply is OFF; connect wire from wall outlet to junction box wire post. Remove excessive wire and connect to L, N and Grounding location.
- 2、 And ensure exposed power wire length is no less than 350mm (suppose wall wire outlet hole is aligned with toilet wire outlet hole).



3、 Junction box external wire connection method.



Junction box wire connection method

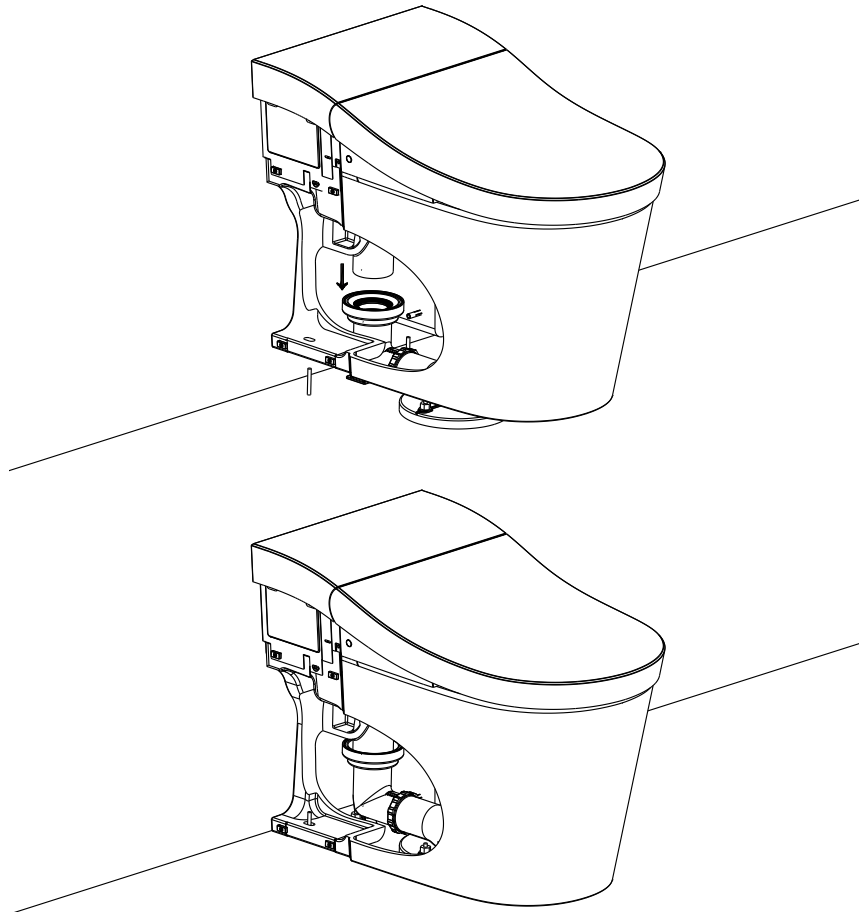
Note:

1. Suggest "exposed power cord" between terminal and wall shall be no more than 10mm to prevent any hazards from dragging the power cord by children or some customers.
2. Install wire harness for exposed power cord during on-site installation to prevent safety hazards.

4、 Install junction box cover in place by screwdriver.

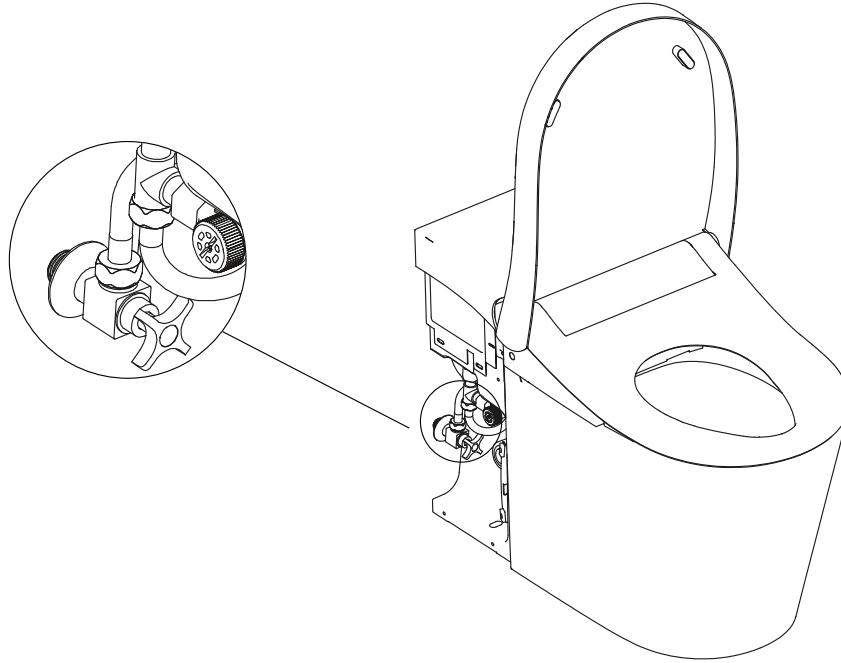
I. Vitreous installation

Lift toilet up (2 assistants needed), align toilet axis with drainage centerline and the toilet close to the wall, and gently place it on the floor.



J. Inlet connection

Take inlet hose from accessory bag, connect angle valve water outlet and toilet inlet T-valve.

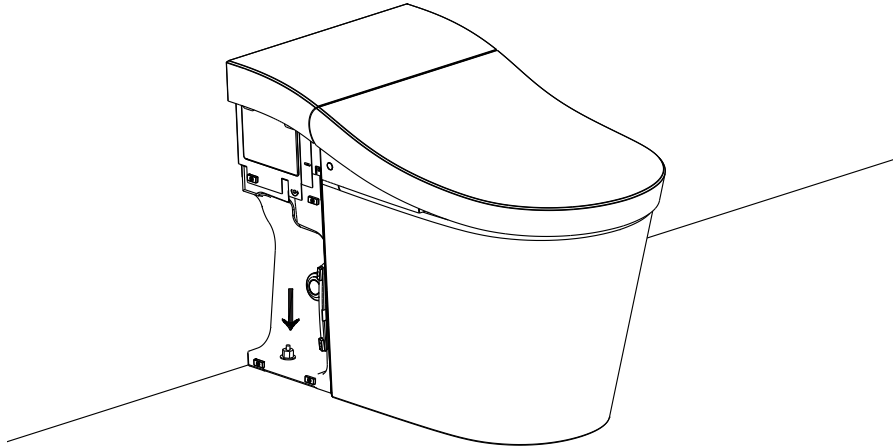


K. Power on and water on test

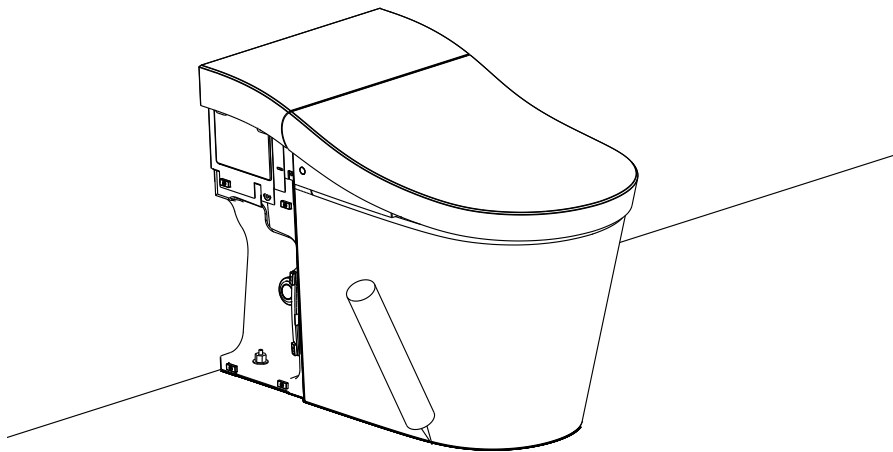
- 1、 Water on first and then power on after installation.
 - 2、 Activate main power supply, push product switch handle upwards, toilet start water and power self-inspection, fill water tank. When hear one “Beep”, night light is OFF, self-inspection completed and the toilet is ready for use. Specific usage refers to Homeowners Guide.
 - 3、 Refer to flush water and power on inspection manual to confirm normal flush status.
-

M. Secure vitreous

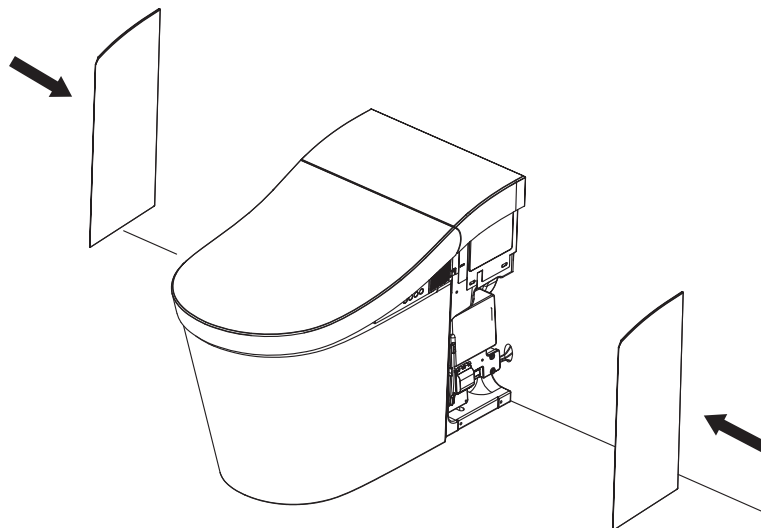
1. Secure vitreous on floor by bolts.



2. Apply silicon grease around the vitreous.



3. Install sideboards back from both sides.



Installation of remote controller holder

NOTE: If the wall for installation is made of special material (such as wood board, density board and etc.), proper fixing methods shall be adopted.

NOTE: The place to install the remote controller shall not be easily splashed by water.

Choose a mounting location for the remote holder that is easily accessible while sitting on the seat.

Drilling two holes with depth larger than 45mm on the wall by drill with a diameter of 6mm in accordance with the position of screw holes on the remote control holder, and then installs the expansion tube into the holes.

Place the installation holder on the fixing hole;

Fix the holder with screws and install it.

Install the screw covers on the screws;

Place the remote controller on the holder.

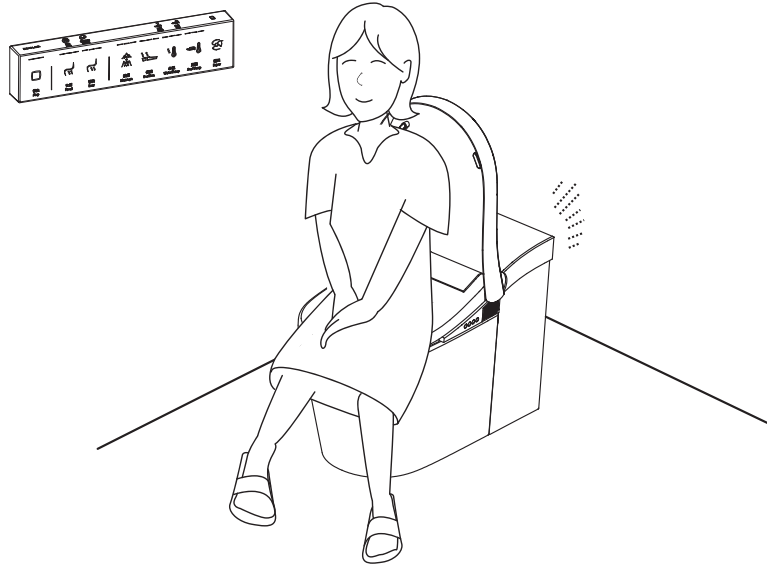
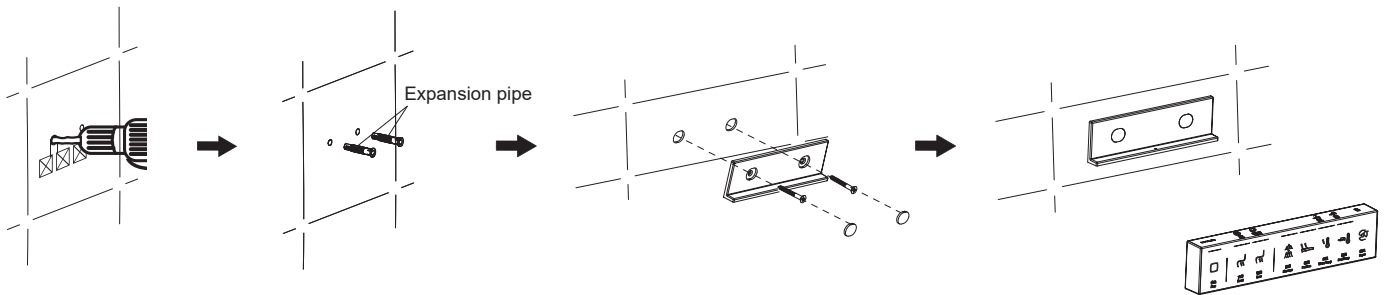


Fig 21

Installation steps:



Public anti-loss installation:

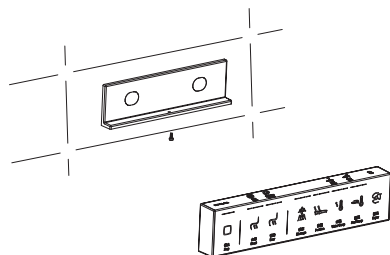


Fig 22

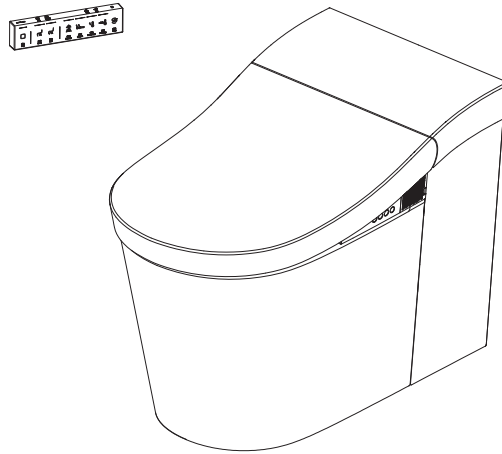


Fig 23

Confirm if water inlet valve is open.

Confirm power is connected properly, concealed version side power leak switch is “ON” (detailed information refers to page 11 on UG).

Confirm battery has been installed in the remote docking station properly.

Confirm no obstacle in front of product.

After toilet self-inspection completed, it is normal to hear motor rotating and water flow noise. When night light blink indicates self-inspection is in process.

Default ex-work status for initial use:

Front Wash:

- Water temp: mid
- Water flow intensity: mid
- Ejection position: mid
- Pulsation mode: OFF

Seat temp: mid

Night light: ON

Auto energy saving: OFF

Auto cover open: ON

Microwave detection distance: mid

Auto flush function: ON

Auto UV function: ON

Auto deodorizer function: ON

Standby mode: OFF

Prolonged seating indication function: OFF

Rear Wash:

- Water temp: mid
- Water flow intensity: mid
- Ejection position: mid
- Pulsation mode: OFF

The above settings are for the full-functional version. For differences in the specifications of models, refer to their product configuration matrix.

Trouble shooting

This guide of trouble shooting is for general help only. Authorized representatives or qualified electricians of Kohler Company shall be able to solve all electrical failures. If you want to know about the service of warranty, please contact local dealers or wholesalers.

Symptoms	Possible Causes	Recommended Actions
1. Toilet does not work.	A. Power failure B. Plug not connected or no power to socket C. The leakage circuit breaker on plug does not reset. D. Product is on standby mode	A. Wait until the power is restored B. Plug in or detect the socket C. Press Reset button on the plug D. Press “⊖” button at the side panel.
2. Toilet fails to flush	A. Water failure B. Tee valve for water supply is closed C. Power failure D. Product is at standby mode E. Wash mode is in progress F. Auto-flushing is deactivated	A. Wait until the water supply is restored B. Open the tee valve for water supply C. Wait until the power is restored or review manual flush, manual flush or flush by using the basin. D. Press “⊖” button at the side panel. E. Perform after flushing operation completed. F. Review “Guide on remote controller setting”
3. Toilet is not clean after flushing.	A. Filter screen is blocked B. Insufficient water pressure.	A. Refer to “Washing of filter screen” B. Check if all tee valves are opened. If not, please open; C. Check bend problem on inlet hose, if so, adjust hose.
4. Wash mode is abnormal.	A. Water failure B. Tee valve for water supply is closed or not opened completely C. Product is at standby mode D. Not yet seated or current sitting posture unable to be sensed by the seat E. Filter screen is blocked F. Insufficient water pressure.	A. Wait until the water supply is restored B. Fully open the tee valve for water supply C. Press “⊖” button at the side panel. D. Seated or adjust your sitting gesture E. Review the section of “Washing the filter screen” F. Check bend problem on inlet hose, if so, adjust hose.
5. Flush function stops in operation process.	A. Flushing mode stops automatically after continuous flushing for 5 minutes B. The seat is unable to sense human body	A. If necessary, press the flushing button again. B. Adjust your sitting gesture or sit on the toilet again.
6. The wash mode runs even when unseated.	A. The seat is covered by foreign matters or the seat is wet.	A. Remove the foreign matters or dry seat.
7. Dryer fan stops in operation process.	A. The dryer fan stops automatically after continuous usage for 4 minutes B. The seat is unable to sense human body	A. If necessary, press the dryer button again. B. Adjust your sitting gesture or sit on the toilet again.
8. Deodorization fan does not work	A. The seat is unable to sense human body B. Stop button is pressed by mistake during operation C. Auto deodorization function is deactivated	A. Adjust your sitting gesture or sit on the toilet again. B. If necessary, please unseat for about 2S and then sit on the toilet again. C. Review “Guide on remote controller setting”
9. Cover fails to close/open	A. The seat is covered by foreign matters or the seat is wet B. The toilet cover is interfered by people at the open/close process before	A. Remove the foreign matters or dry seat. B. Use the remote control or manually open/close the cover until it works properly. Do not block switch during open/close process
10. Auto cover fails to close/open.	A. User is not seated enters or leaves the sensing area B. Remote controller “automatic cover-turning” function is deactivated C. The toilet is in the process of flushing	A. Please sit or leave the sensing area B. Review “Guide on remote controller setting”. C. Wait until the flushing process is completed

11. Night light does not work	A. The night function is turned off B. The indoor light is too bright	A. Review “auxiliary keyboard function” to activate the night light function. B. Please cover photoreception window completely.
12. UV sterilization function does not work	A. User sits on the toilet B. The seat is covered by foreign matters or the seat is wet	A. Please close the cover and reactivates the UV sterilization again when unseated. B. Remove the foreign matters or dry the seat
13. Remote is unable to display	A. Battery exhausted B. Battery polarities are mounted reversely C. The remote controller does not answer.	A. Replace with new batteries B. Reinstall properly C. Approach to the toilet or seated.
14. Remote control fails to connect to toilet.	A. Lower battery B. The remote control is too far from the toilet C. The toilet is not yet powered on D. The toilet is on standby mode E. The toilet is not connected to the remote control	A. Review “Usage and replacement of battery for remote control” chapter and replace battery accordingly. B. Review “Communication between remote controller and the toilet”, and approach to the toilet C. Power on the toilet. D. Press “ ⊖ ” button at the side panel. E. Review “Communication between remote and toilet” and connect toilet and remote accordingly.
15. The seat is not warm.	A. Remote seat temp set too low. B. Toilet is on standby mode.	A. Set seat temp to proper dial. B. Press “ ⊖ ” button at the side panel.

If you want to check the toilet, first of all, you should:

Unplug toilet power cord or handle down circuit leakage protection switch (no power cord version).

Turn off the water supply valve if necessary.

CONSUMER RESPONSIBILITIES


If you live in a hard water area, make certain that the holes on the toilet rim are kept clean to ensure proper bowl flushing. Toilet bowl cleaners should be used at least once a week. Use a long-handled brush to clean the rim holes, and to clean as far into the trap as possible to prevent mineral deposits from forming.

Most toilet bowl cleaners are not harmful to the vitreous chin or the surface of the toilet bowl. Please follow the bowl cleaner manufacturer's instructions carefully.

Do not use abrasive cleaners or solvents.

 **WARNING: Risk of property or product damage.**

Kohler Company shall not be responsible or liable for any damage to these fittings caused by the use of cleaners containing chlorine (Calcium hypochlorite).

 **Warning: do not use any hard setting material (cement mortar) while installing the toilet.** Thermal expansion of hard setting material (cement mortar) will damage or crack the feet of toilet. Kohler will not be responsible for any damage because of using hard setting material (cement mortar) for toilet installation.

 **WARNING: Risk of product damage.**

Do not throw into the toilet what that will cause the toilet to block such as newspapers and sanitary towel. Do not bump the vitreous china with great force as it will cause damage and leaking.

Do not use product beyond the specified environment.

NOTE: Refer to "Homeowner's Guide" for the cleaning and maintenance of toilet.

NOTE: Flush the water supply pipes thoroughly to remove debris. Product is designed for tap water or potable water.

安装之前

- 请仔细阅读本指引。以便熟悉所需工具、材料及安装程序。请遵照适用的章节来安装您的座便器，以避免由于安装失当而导致不必要的损失。除了有关正确的安装方法之外，还务请详阅所有操作及安全指引。
- 本指引所载之一切资料，均以印刷时所有之最新产品情况为基础，科勒保留权利随时更改产品特性、包装或供应情况，恕不另行通知。
- 本指引也包含了有关护理、清洁及保养等重要资料 - 请交予用户保存。
- 我们感谢您对科勒质量的信任。在您开始安装之前，请您花上几分钟时间来阅读这本手册。如果您在安装或性能方面遇到任何问题，务必请您与我们联系。再次感谢您选择科勒公司。
- 安装前，请确保座便器安装所需要的空间，并不会影响到门的开关。
- 在安装本产品的同一房间中，需要在触手可及的位置安装一个止水阀，用于紧急情况下，无需借助工具即可切断本产品的进水水路；否则本产品的意外故障可能会导致用户损失。
- 确认排水坑距 305mm或400mm适应可调 ± 28 mm。如未满足，可能会影响安装。
- 确认出水接头距离完工墙面凸出不超过3mm。沉入完工墙壁不超过5mm。如未满足，可能会影响安装。
- 推荐使用内径DN15mm或以上的主水管。
- 请不要使用科勒不推荐的附件，如角阀等。
- 为了达到更好的冲洗效果，用户在安装进水管如PPR管的热熔连接时，应尽量避免明显的缩径或热熔挤出物堵塞部分管道等现象，并确保连接后进水管内径不小于15mm。
- 在墙体施工时需预留电缆线。电缆线规格 $1\text{mm}^2-2.5\text{mm}^2$ 硬线，电路中需有220V~，50Hz，10A或以上接地故障断路器或接地漏电保护器。
- 用户切断电源后，如须再次接通电源，请务必听到“滴，滴...”提示音结束后，再接通电源。
- 器具必须正确接地。
- 固定布线中必须配有触电开距提供在过电压等级III条件下全断开的装置。

注意



危险：存在触电危险。操作前应切断电源。



警告：存在触电危险。只可连接至带接地故障断路器（GFCI）或接地漏电断路器（ELCB）保护的电路中。



谨慎：存在有害气体的危险。如果新座便器不能立即安装，可在地面法兰孔上临时遮盖一块旧布。

注意：遵守所有的本地管道安装和电气规程。

注意：安装在浴室内的插座位置（如果有）距离浴缸或淋浴喷头至少应为一米。

- 遵守所有的本地管道安装规程和建筑规范。
- 仔细检查新座便器有无损坏。
- 电源和水管应采用墙式安装方式。



警告：触电、火灾或人身伤害的危险。本产品必须安全接地。只能连接到专用的220V~，50Hz，10A带接地故障断路器或接地漏电保护器的电路中。



警告：必须使用10A的插座。

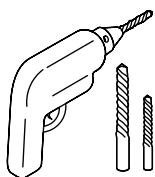
所需工具及材料（不随货供应）

电钻及配套钻头、膨胀螺钉及膨胀管、垫片、螺丝刀（十字，一字，梅花头）、剥线钳、剪刀、活络扳手、美工刀、笔、钳子、卷尺、测电笔、生料带

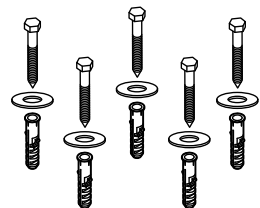
其他

垫子或防护材料

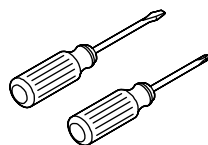
胶带



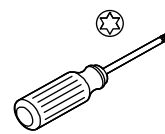
电钻及配套钻头



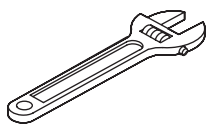
膨胀螺钉及膨胀管、垫片



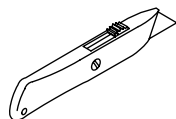
螺丝刀



梅花头螺丝刀



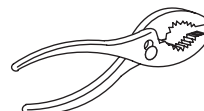
活络扳手



美工刀



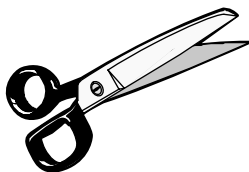
笔



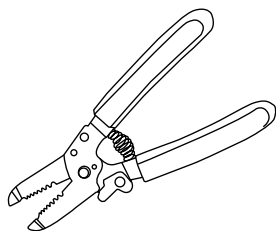
钳子



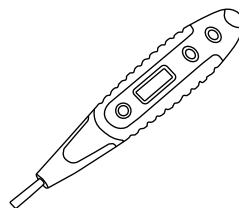
卷尺



剪刀



剥线钳



测电笔

整体简图

单位：毫米

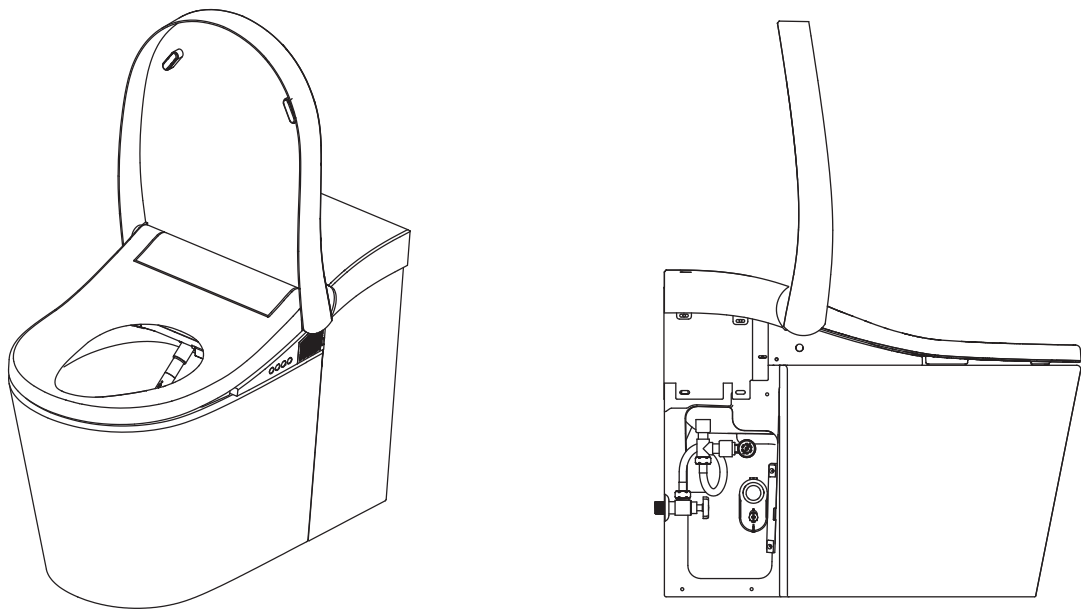
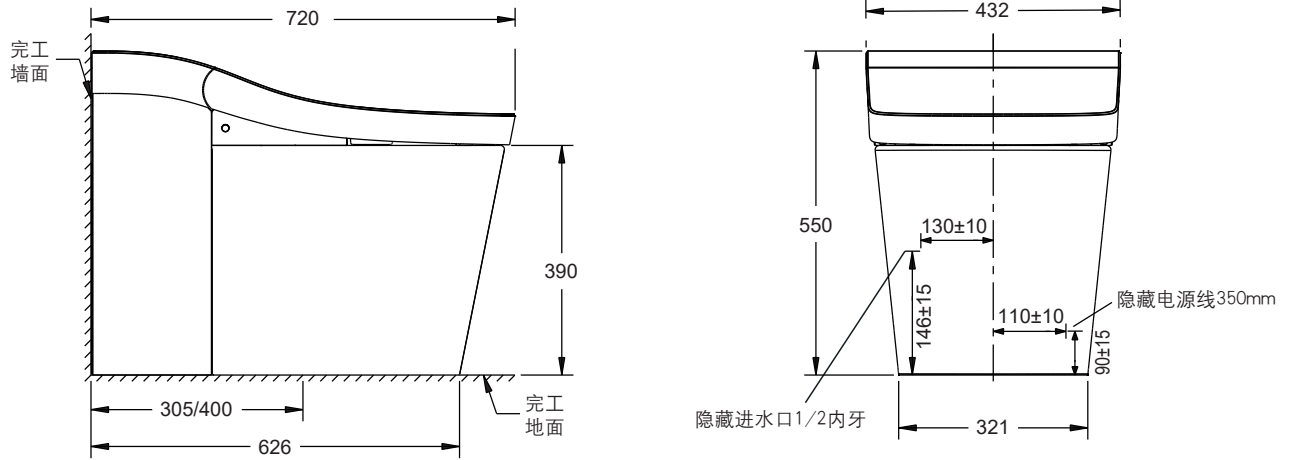


图1

科勒公司保留随时变更图中标示尺寸的权利，无需另行通知。

规格

冲水用水量	5.5L
水效等级*	3级
使用坑距	305/400mm
供水压力	最小进水压力0.07MPa (动压) 最大进水压力0.74MPa
额定电压	220V~, 50Hz
额定功率*	1100W
产品外型尺寸	约720mm x 432mm x 550mm
产品重量	约51kg
进水温度	1-35°C
使用环境温度	1-40°C

注意：智能座便器规格详见用户手册。

* 智能座便器施加的水效标识的说明：水效标识表示智能座便器水效等级等性能的一种符合性标志。
* 功率值测试条件：动压0.2MPa，进水温度15°C。

安装前准备

A. 抓住陶瓷件的边缘，从包装箱中取出产品。

警告：人身和产品损害风险！向上提起座便器时，请勿抓住智能盖板的边缘。由于座便器较重，必要时请寻求他人帮助。

注意：在整个安装过程中，请勿取下盖板和座圈的保护袋。

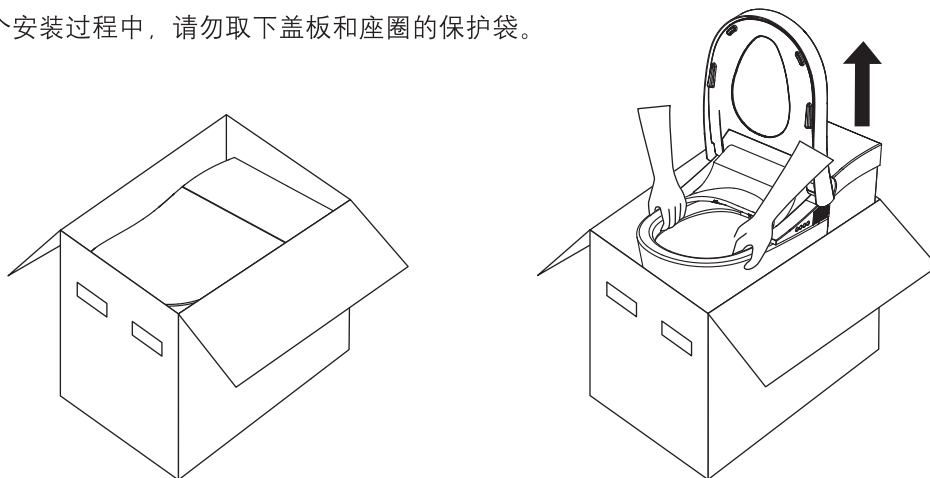


图2

B. 在地面上放置一块800mmX800mm大小的软垫，将座便器从包装箱中取出放在软垫上。

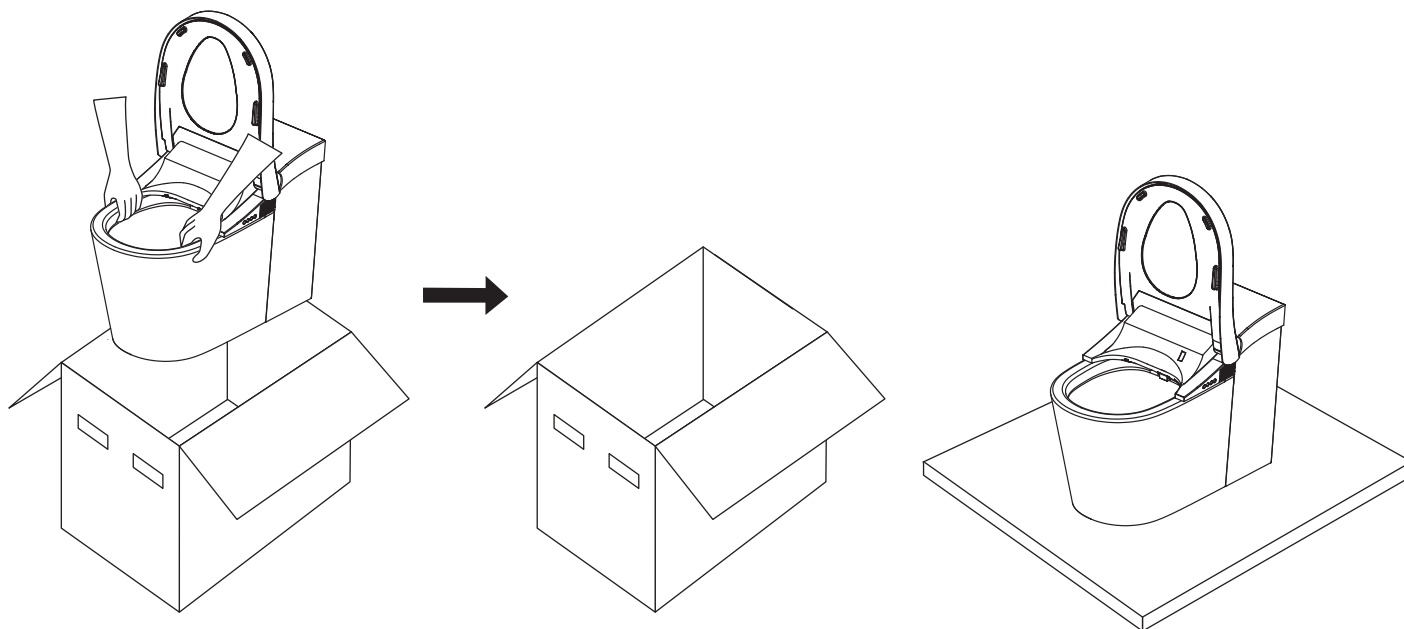


图3

A. 拆除旧座便器(如果有)

关掉供水源，给座便器冲水，用海绵吸去座便器内的剩余水份，拆除供水管止水阀(如果有)，移开旧水箱和座便器。用涂油灰刀拆除地上的旧密封垫圈及座便器法兰附件包，拆除及扔掉旧的T型螺栓。

注意：如果不能即时安装新座便器，请用碎布暂将法兰附件包堵住。



图4

B. 安装尺寸



危险：存在触电危险。安装前应切断电源。

注：本产品可安装于墙上式电源和水路管。安装方式在尺寸图中有标示。



警告：存在触电危险。只可连接至带接地故障断路器(GFCI)或接地漏电断路器(ELCB)保护的电路中。



浴缸与花洒位置请远离带电部件(如遥控器、电源插座等)。如果是墙上式电源，需要使用防水、防溅的插座。

单位：毫米

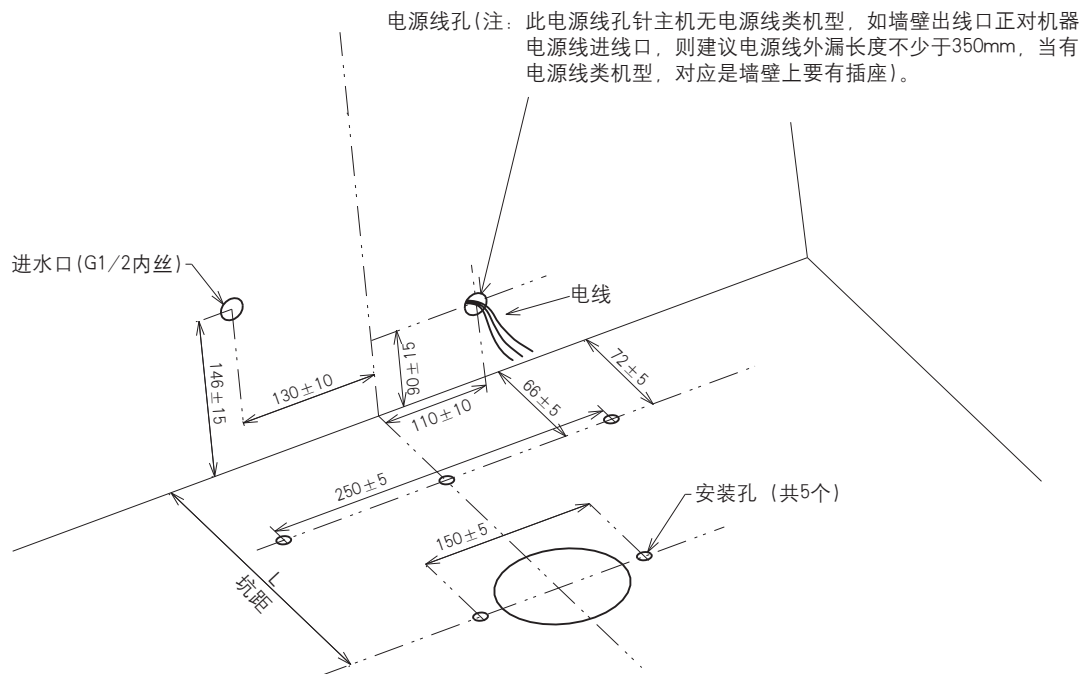


图5

C. 1. 确定排污口中心点并垂直墙面划上十字线

2. 侧放座便器，按陶瓷排污口找出前后左右中心标记，并记于陶瓷外侧壁上

3. 座便器平稳对准地面上的中心线。记下左右地脚孔的位置

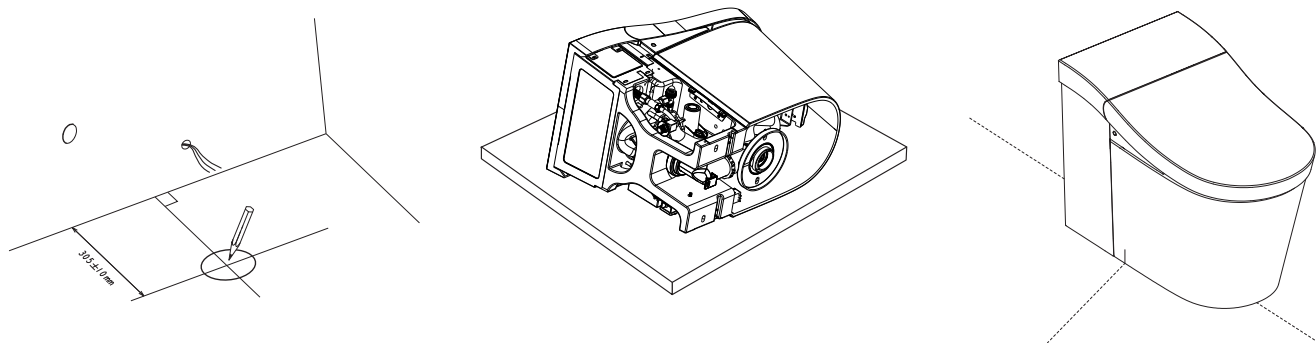


图6

D. 钻五个地脚孔，安装膨胀塑料及地脚螺钉(由客户自行购买)

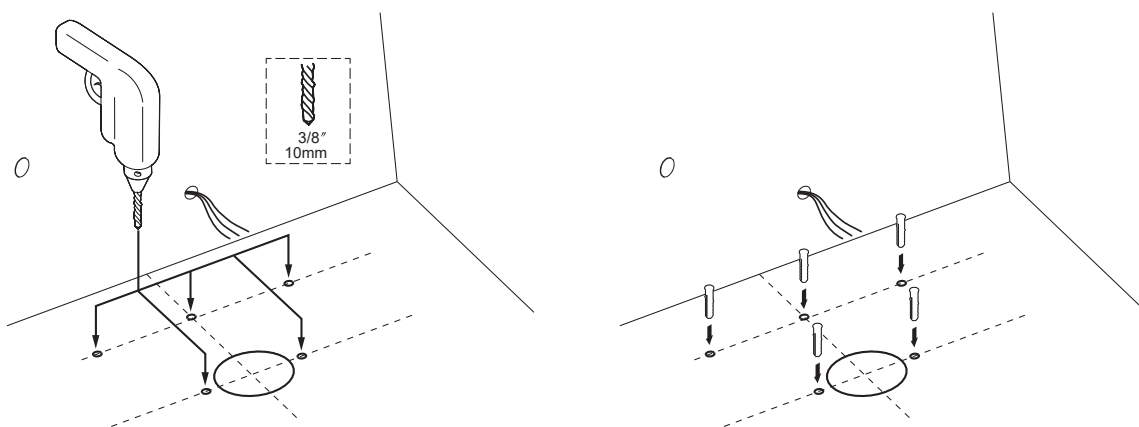


图7

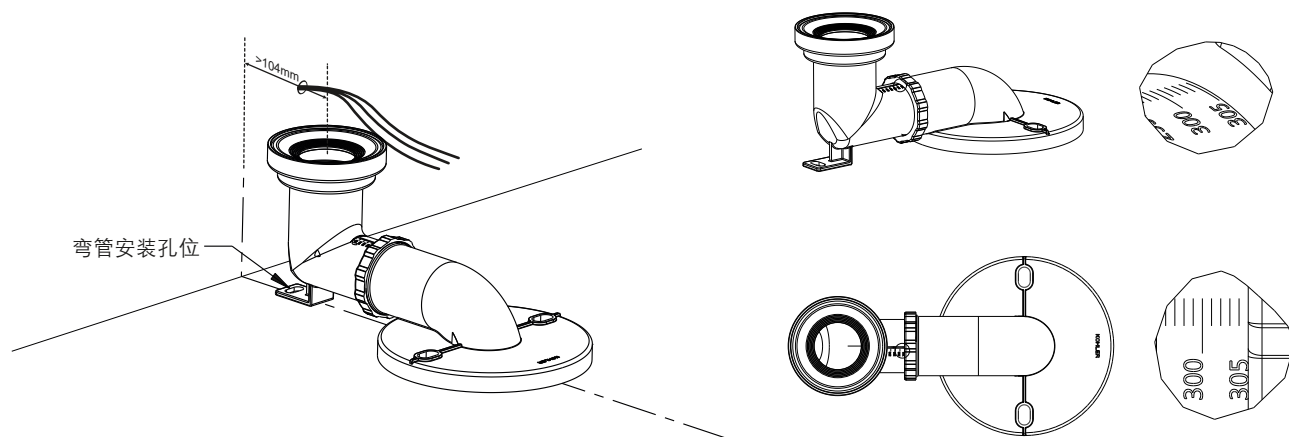
E. 排污管安装

1、将排污管拿出，调整使其满足如下条件：

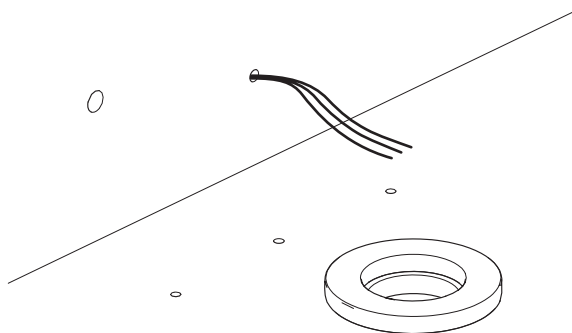
- a. 排污口和地面排污口对齐；
- b. 地面固定孔至各孔对齐；
- c. 排污管的上接口中心距墙距离大于104mm。

继而拧紧排污管上的大螺母。

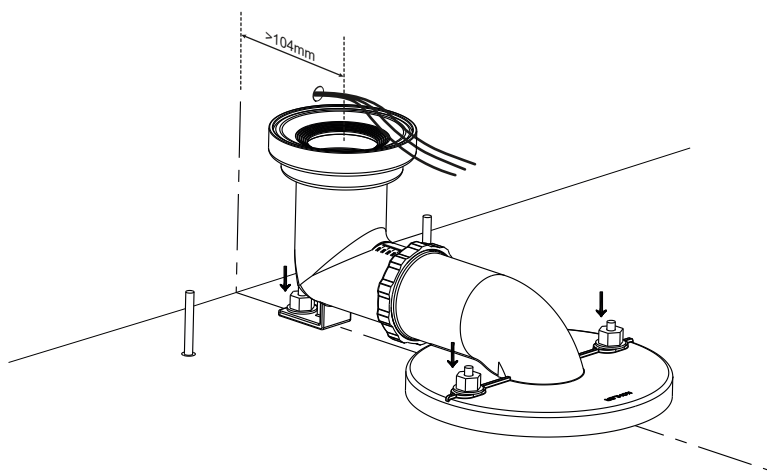
注意：确保地面平整，305mm规格调节范围277~333mm，400mm规格调节范围372~428mm，调节完长度，要求螺母为锁紧状态，刚拿到弯管进行调节时，先松动下螺母，并让两段弯管错位旋转下再归位，此时调节比较轻松。



2、将蜡封中心和地面排污口对齐，放于地面。

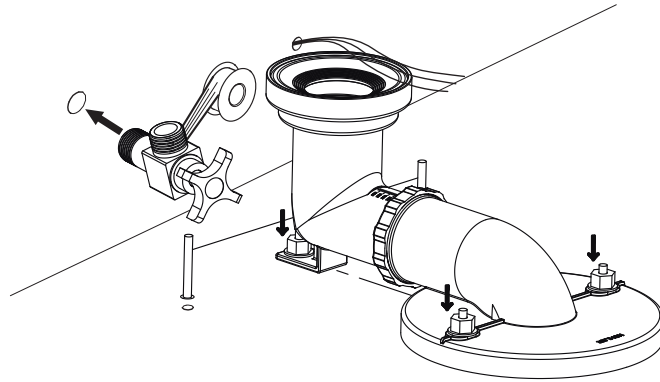


3、用3个螺钉和垫片把排污管固定在地面，并再次确保弯管排污口中心距墙最小距离大于104mm。



F. 角阀安装

- 1、将角阀缠绕生料带后和墙面水孔相连。



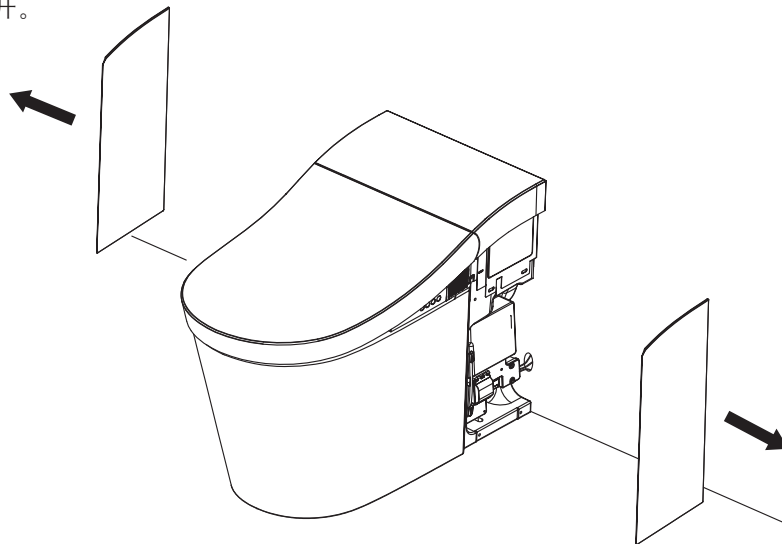
- 2、角阀的开关方法

顺时针为关，逆时针选择为开。

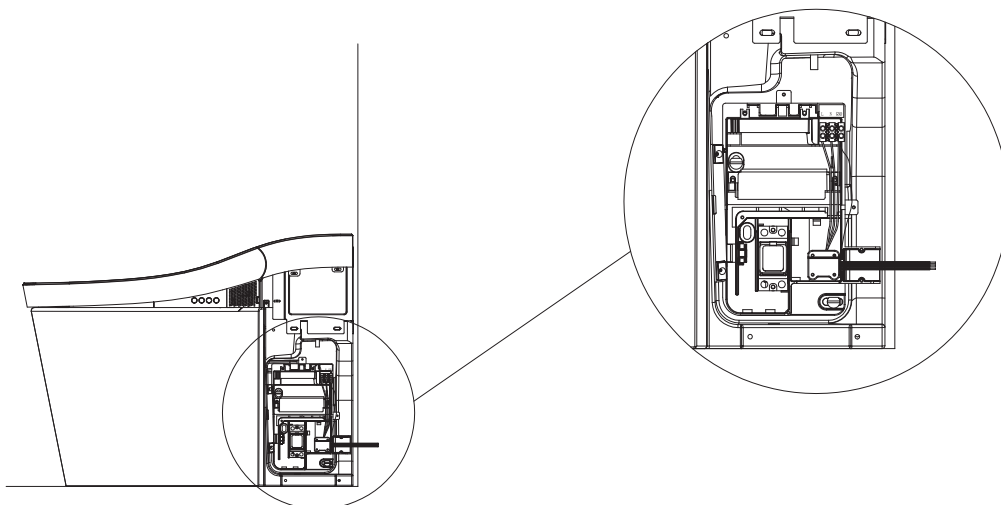
注意：接好角阀之后，请排水至目视清洁为止。

G. 拆下左右侧板及配电盒盖






- 1、将马桶两侧的侧板打开。



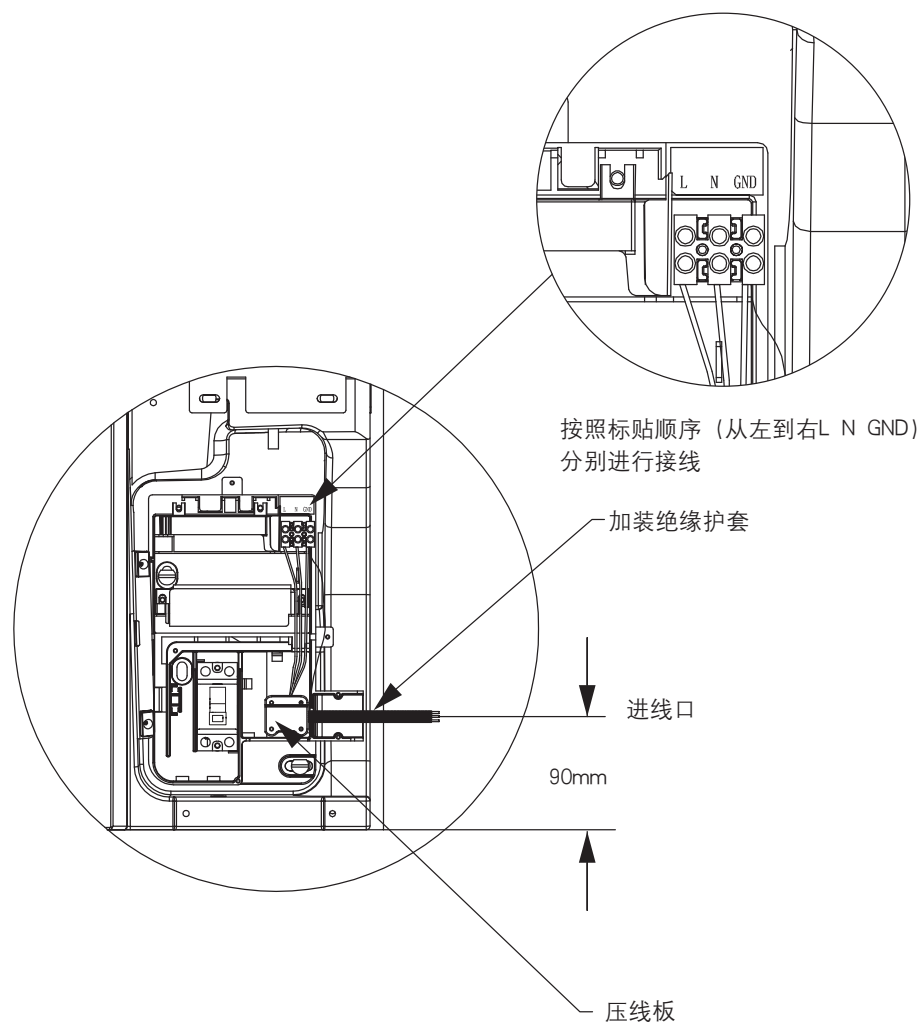
- 2、使用螺丝刀将电源安装的一侧配电盒盖拆开。



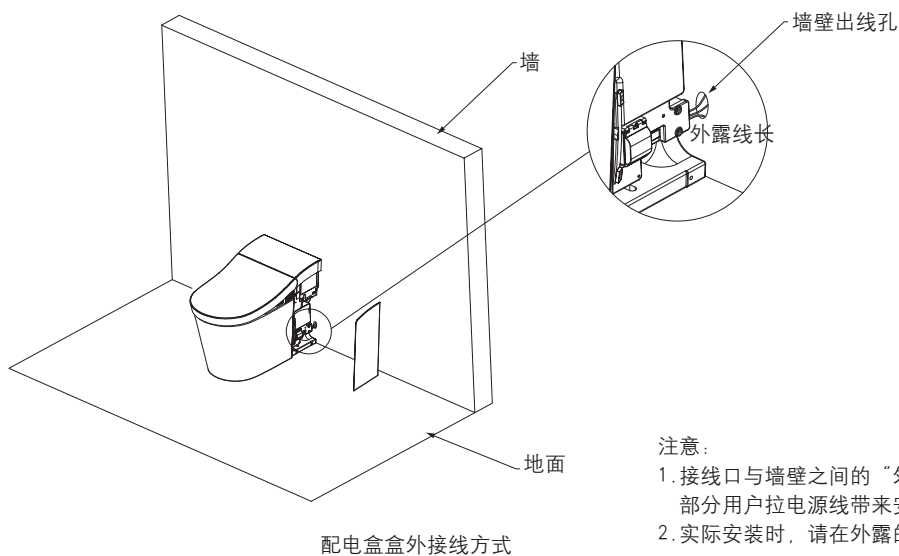
H. 电源连接

-  危险：存在触电危险。操作前应切断电源。
 -  危险：存在触电危险。仅适用于插入式安装/墙面式电源，只可连接至带接地故障断路器(GFCI)保护的电路中。勿取走接地插脚，或选择使用接地适配器。
 -  警告：产品存在电击的危险。本产品只可连接到良好接地，电路要求为220V~，50Hz，10A 的电路中，此电路必须带接地故障断路器或接地漏电断路器。
 -  警告：不允许使用延长线。
 -  警告：不允许使用不带接地线的插座。（带电源线类）
- 注意：本产品设计可安装于墙上式电源。安装方式在尺寸图中有标示。
安装硬电线电源时应严格遵守尺寸图上的信息操作。

- 1、确认总电源关闭，将墙壁出线口出线连入配电箱内接线柱上，剪去多余长度，分别连接L、N、地线位置。
- 2、保证外露在墙外的电源线长度不少于350mm（假如墙壁出线孔正对马桶出线孔）。



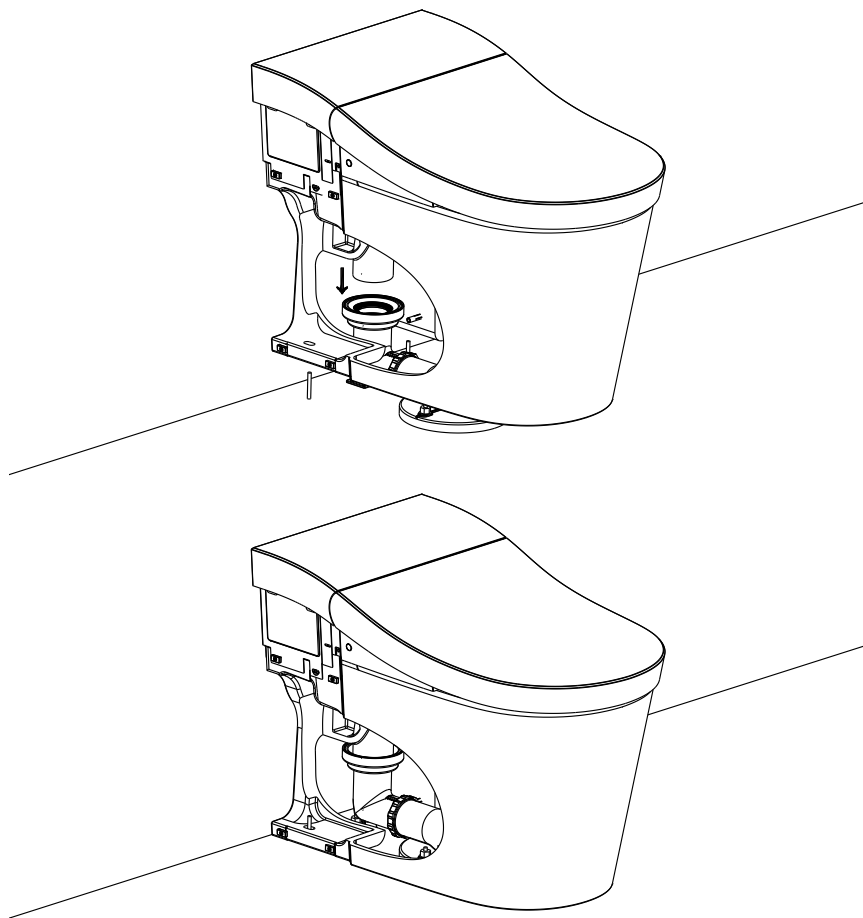
3、配电箱盒外接线方式。



4、使用螺丝刀将配电箱盖装回。

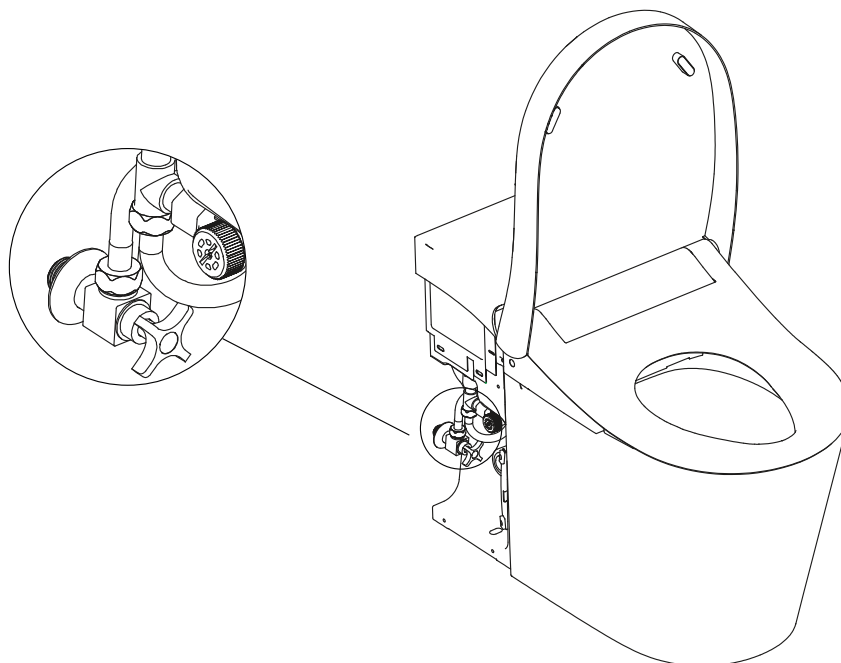
I. 陶瓷外壳安装

将马桶提起（需要2个人），使马桶的轴线和排污管的中轴线对齐，且马桶后方贴近墙面，垂直轻轻放至地面。



J. 连接进水

取出附件包中的进水软管，连接角阀出水口和马桶进水三通进水口。

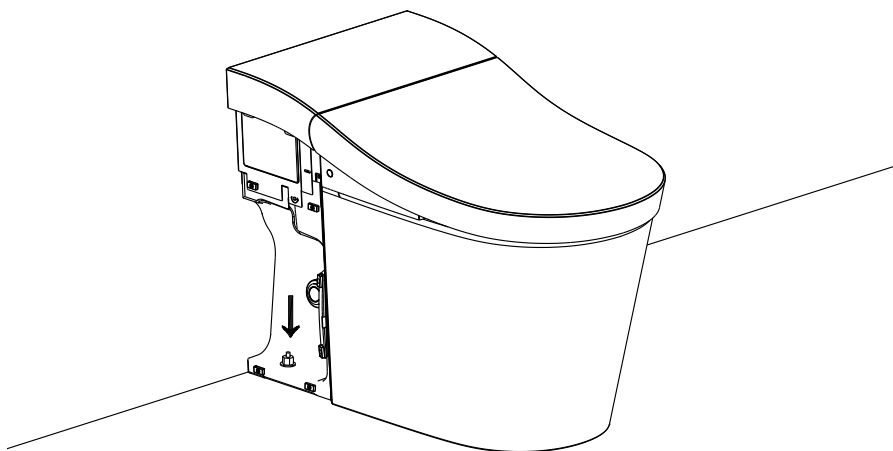


K. 通水通电测试

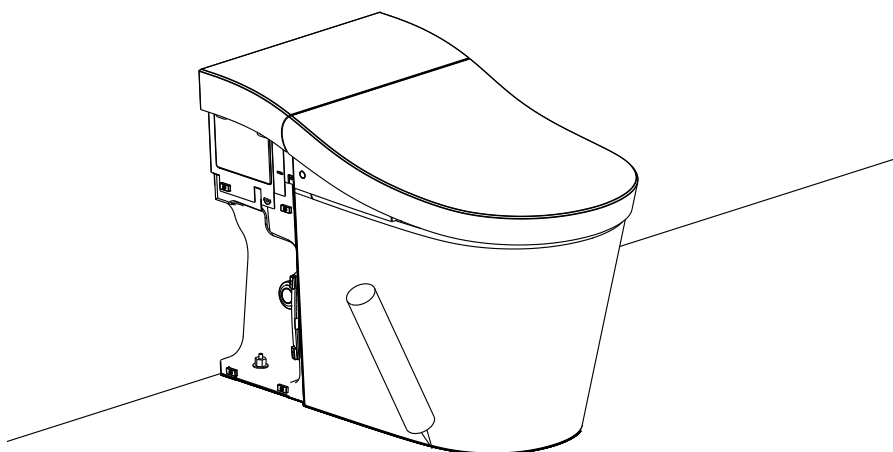
- 1、安装后先通水，再通电。
 - 2、开启总电源，并将产品开关手柄向上推到位，机器开始进行通水、通电自检，水箱进水，等听到“滴”的一声响，夜灯熄灭，自检完成，可以使用。具体使用方法参见用户手册。
 - 3、参看冲洗通水通电测试手册进行冲洗，确认冲洗正常。
-

M. 陶瓷体的固定

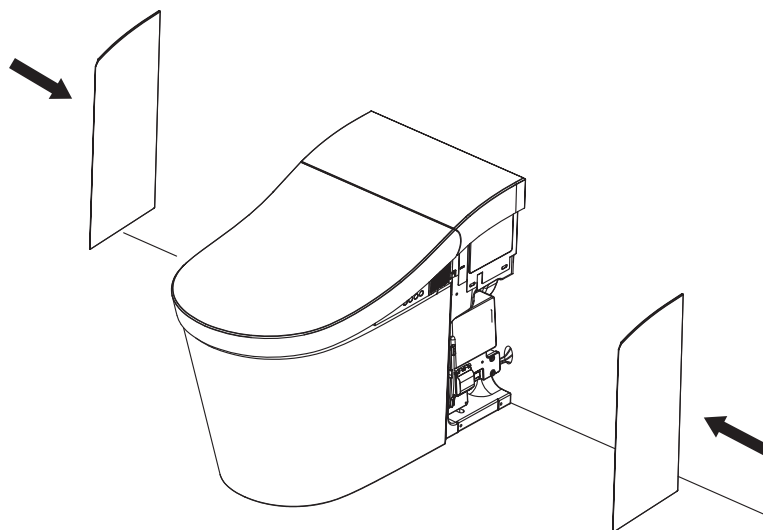
1、使用螺钉将陶瓷体和地面固定。



2、用硅胶给陶瓷周边涂上硅胶。



3、装回两侧的侧板。



安装遥控器支架

注意：如果安装墙面是特定材料（比如木板、密制板等）时，使用合适的固定方法。

注意：遥控器的安装位置应该是不易被水淋到的地方。

选择一个合适地方安装遥控器支架，此处应该是当你坐在座便器上时，很容易用手操作遥控器的地方。

根据遥控器支架螺钉孔的位置，用直径6mm的钻头在墙上钻两个深度大于45mm的孔。在孔中装入膨胀管。

将安装支架放置在固定孔上。

用螺钉固定安装支架。

把螺钉盖装在螺钉上。

把遥控器放在支架上。

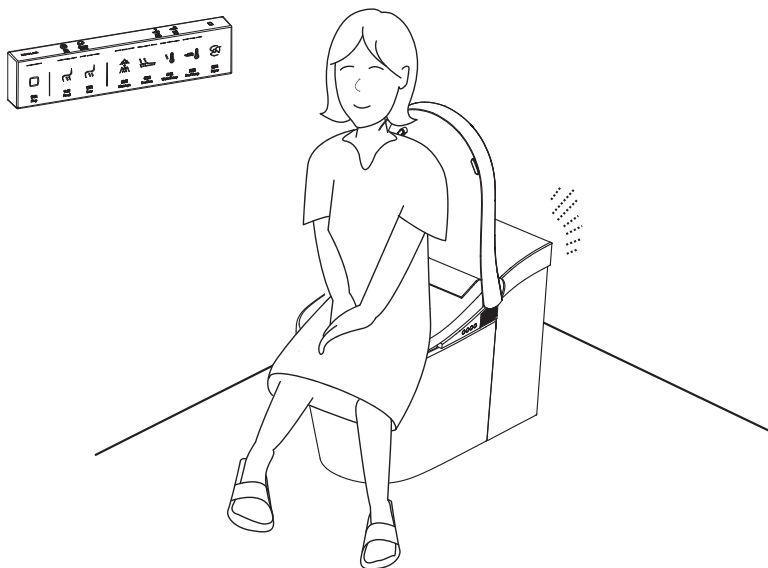
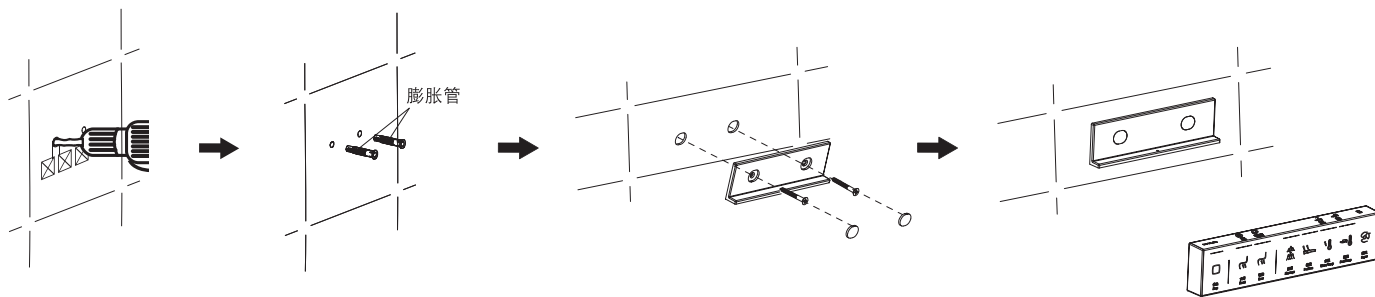


图21

安装步骤：



公共场所防遗失安装方式：

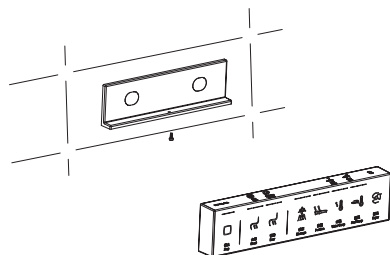


图22

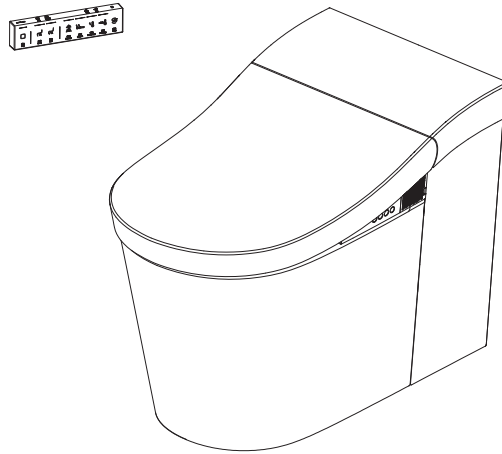


图23

确认进水阀是否已打开。

确认电源已连接，隐藏版本侧面漏保开关处于“on”状态（详见用户手册第34页）。

确认遥控器充电座内已正确装入电池。

确认产品正前方没有障碍物。

等待主机完成自检。期间可听到电机的转动声和流水声，均属正常。当夜灯闪烁时，自检结束。

初次使用时为出厂设置状态：

女性冲洗：

- 水温：中档
- 水流强度：中档
- 冲洗位置：中档
- 脉冲模式：关

圈温：中档

夜灯：开

自动节能：关

自动翻盖功能：开

微波感应距离：中距离

自动冲水功能：开

自动UV功能：开

自动除臭功能：开

待机模式：关

长时如厕提醒功能：关

臀部冲洗：

- 水温：中档
- 水流强度：中档
- 冲洗位置：中档
- 脉冲模式：关

以上设置为全功能版本，具体型号的规格差异见产品配置表。

疑难解答

本指南仅作参考帮助之用。科勒公司授权的服务代表或者合格电工应当能够解决所有的电气问题。如需了解担保服务，请联系您当地的经销商或批发商。

现象	可能原因	建议措施
1. 座便器不工作	A. 停电 B. 插头未插或者插座无电 C. 电源线插头上漏电保护开关未复位 D. 产品处于待机状态	A. 等到电力恢复 B. 插上插头或者检测电源插座 C. 按下插头上的复位按钮 D. 按一下侧面“⊙”按键
2. 座便器不冲水	A. 停水 B. 供水角阀关闭 C. 停电 D. 产品处于待机状态 E. 清洗功能正在使用中 F. 自动冲水功能被禁止	A. 等到恢复供水 B. 打开供水角阀 C. 等待恢复电力或者查看“手动冲洗”部分进行手动冲洗或者用盆盛水冲洗。 D. 按一下侧面“⊙”按键 E. 待清洗功能完成再进行 F. 查看“遥控器设置指南”部分
3. 座便器冲不干净	A. 过滤网阻塞 B. 供水水压不足	A. 查看“清洗过滤网”部分 B. 检查角阀是否全部打开，如未全部打开，请打开 C. 检查进水软管是否折弯过急，如折弯过急，请调整软管
4. 清洗功能无法正常使用	A. 停水 B. 供水角阀关闭或者未完全打开 C. 产品处于待机状态 D. 没有入座或者当前坐姿无法使座圈感应到 E. 过滤网阻塞 F. 供水水压不足	A. 等到恢复供水 B. 完全打开供水角阀 C. 按一下侧面“⊙”按键 D. 请入座或者调整坐姿 E. 查看“清洗过滤网”部分 F. 检查进水软管是否折弯过急，如折弯过急，请调整软管
5. 使用过程中冲洗功能停止工作	A. 连续冲洗5分钟后冲洗功能自动停止 B. 座圈未感应到人体	A. 如需要，请再次按下冲洗按键 B. 变换坐姿或者重新入座
6. 人体未入座时也能使用清洗功能	A. 座圈上有异物覆盖或者座圈是湿的	A. 移除异物或者擦干座圈
7. 使用过程中暖风风机停止工作	A. 连续使用暖风功能4分钟，风机自动停止 B. 座圈未感应到人体	A. 如需要，请再次按下暖风按键 B. 变换坐姿或者重新入座
8. 除臭风机不工作	A. 座圈未感应到人体 B. 使用过程中误按停止键 C. 自动除臭功能被禁止	A. 变换坐姿或者重新入座 B. 如需要，请离座2秒后重新入座 C. 查看“遥控器设置指南”部分
9. 不能开关盖	A. 座圈上有异物覆盖或者座圈是湿的 B. 便盖在先前开关过程中受到人为干扰	A. 移除异物或者擦干座圈 B. 使用遥控器开关便盖或手动打开便盖直至正常，便盖开关过程中不阻挡其开关
10. 不能自动开盖	A. 用户没有进入或离开感应区域 B. 遥控器“自动翻盖”功能被关闭 C. 座便器正在冲水中	A. 请进入或离开感应区域 B. 查看“遥控器设置指南”部分 C. 等待座便器冲水结束
11. 夜灯不亮	A. 夜灯功能被关闭 B. 室内光线太亮	A. 查看“辅助按键功能”中的夜灯部分来打开夜灯功能 B. 请完全遮挡住感光窗口
12. 紫外线杀菌不工作	A. 有人坐在座便器上 B. 座圈上有异物覆盖或者座圈是湿的	A. 请离座后关闭盖子再重新开启紫外线杀菌及关闭座便器 B. 移除异物或者擦干座圈
13. 遥控器无显示	A. 电池电量耗尽 B. 电池极性装反 C. 遥控器未有反应	A. 更换新电池 B. 重新正确安装 C. 靠近座便器或落座

14. 遥控器无法遥控座便器	<ul style="list-style-type: none"> A. 电池电量不足 B. 遥控器离座便器太远 C. 座便器本机没有上电 D. 座便器本体处于待机状态 E. 座便器与遥控器未连接 	<ul style="list-style-type: none"> A. 查看“遥控器电池的使用及更换”部分来更换电池 B. 查看“遥控器与本机的通讯”部分并靠近座便器 C. 请给本体上电 D. 按一下侧面“⊖”按键 E. 查看“遥控器与本机的通讯”部分，连接座便器与遥控器
15. 座圈不热	<ul style="list-style-type: none"> A. 遥控器的圈温设置太低 B. 座便器处于待机模式 	<ul style="list-style-type: none"> A. 将圈温设置到合适档位 B. 按一下侧面的“⊖”键

如要检修此座便器，您必须首先：

拔下座便器电源插头或扳下漏电保护开关(无电源线版本)。


如有需要，关闭供水阀。

用户责任


如果你居住地方的水质是硬性，你必须保持冲水孔清洁，令座便器冲水正常。每星期应最少使用座便器清洁剂清洁一次，用长把手的刷子清洁冲水孔，并尽量伸入排污管洗刷，防止矿物质积聚。


大部分厕所清洁剂都不会损坏座便器表面的釉面陶瓷，但烦请遵照座便器清洁剂生产商指引小心进行。

请勿使用腐蚀性清洁剂或溶剂。

 **警告：提防楼宇受损或损坏产品。**

科勒公司对此类因使用氯(次氯酸钙)而引致的冲水装置损毁，概不负责。

 **警告：在安装本座便器时切勿使用任何凝胶材料（水泥砂浆）。**因为凝胶材料（水泥砂浆）的热膨胀可能使座便器的脚部挤破或损坏。科勒对所有因为凝胶材料（水泥砂浆）安装而引起的座便器破裂恕不负责。

 **警告：提防损坏产品。**

请不要向便器内冲入新闻纸、纸尿垫、妇用卫生巾等容易堵塞的物品。请不要用重力撞击陶瓷，以防止破损漏水。不要在规定的使用环境外使用。

注意：智能座便器的清洗和维护详见用户手册。

注意：一定要先彻底冲洗供水管以清除管道中的杂质，使用水源为自来水或可供饮用水。