

记录您的型号:

Record your model number: \_\_\_\_\_

1630019-T2

请遵守当地管路安装及建筑条例。

在安装或使用本产品之前阅读所有说明。

请保存说明书。

所需的其他工具和材料:

1A. 6 mm 钻头

安装步骤

2A. 将挂墙式支架定位在墙面上, 使用水平仪确保支架水平。

3A. 在墙上标出三个孔的位置。

4A. 钻三个直径为 6 mm 的孔。

5A. 将产品包装中提供的胀塞安装到孔中, 用锤子敲击, 直至其与墙齐平。

6A. 将挂墙式支架上的孔与胀塞对齐, 用产品包装中提供的螺钉将其固定在墙壁上。

7A. 将长固定塞和短固定塞固定在安装支架上的槽位上, 确保置物架的四个槽与挂墙式支架上的固定塞有效的配合。

8A. 对于挂钩和吹风机托架, 使用螺丝固定到置物架上, 将置物盒或者化妆刷置物架放在置物架上。

9A. 对于双卫生纸架, 将卫生纸托架安装到置物架底部, 对齐螺孔, 拧紧螺丝固定托架。

10A. 对于双卫生纸架, 将卫生纸托架组件安装到安装支架上, 确保卫生纸托架组件的四个槽与挂墙式支架上的固定塞有效的配合, 将托盘放在卫生纸托架组件上。

需要帮助? 请联系我们的客户服务中心。

• 中国大陆: +(86) 800-820-2628, +(86) 400-820-2628

• 保养和清洁: [kohler.com.cn/support/care-and-cleaning/](http://kohler.com.cn/support/care-and-cleaning/)

本产品 在科勒®卫浴产品的 3 年有效质保范围内, 详见所附的《合格证》。

Follow all local plumbing and building codes.

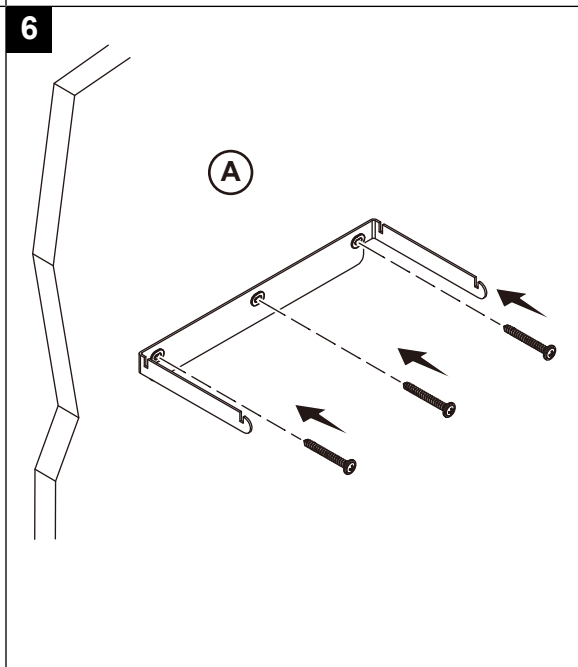
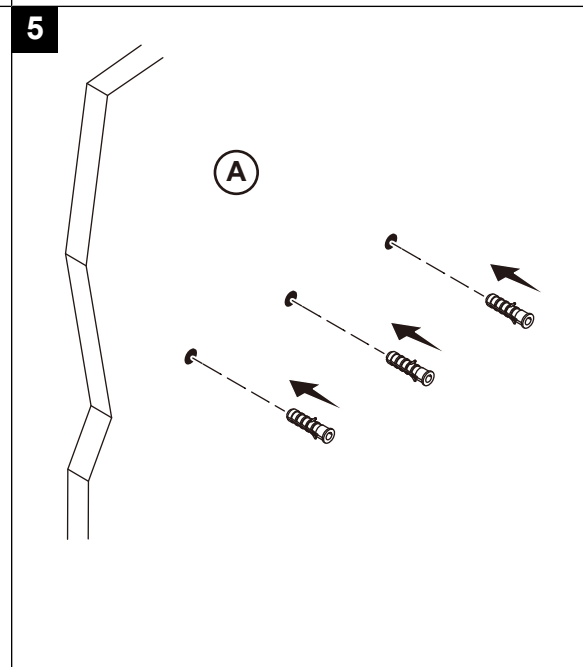
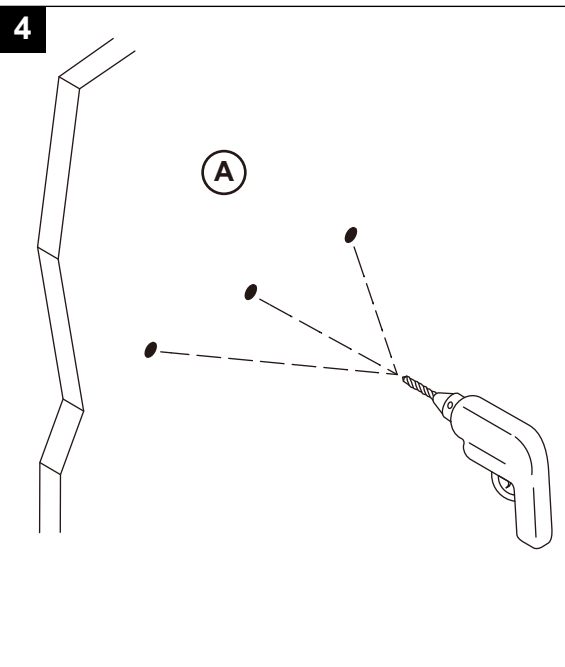
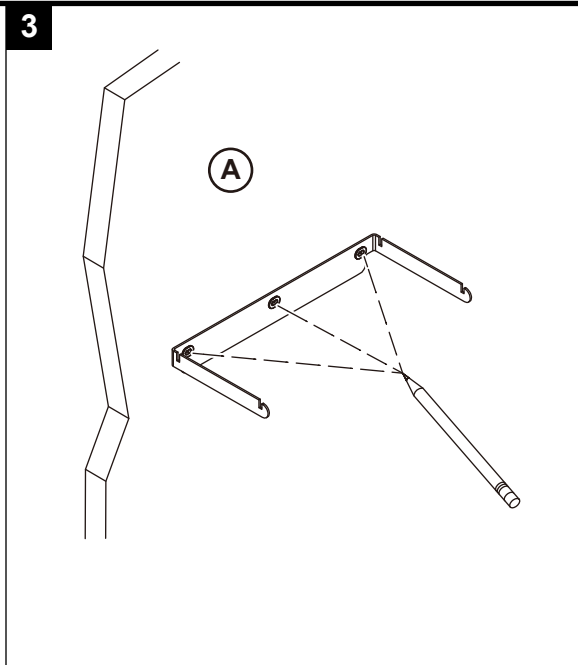
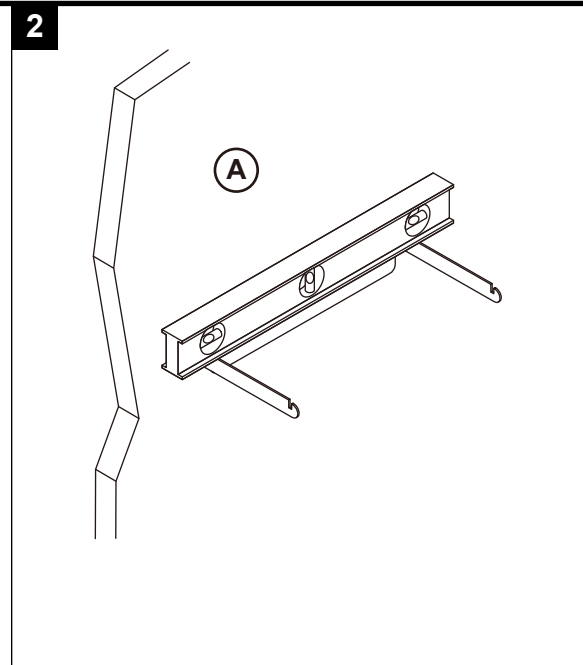
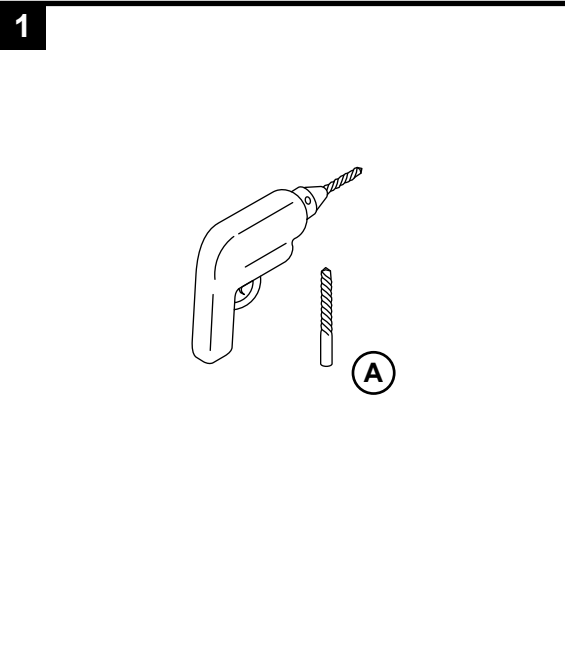
READ ALL INSTRUCTIONS BEFORE INSTALLATION

SAVE THESE INSTRUCTIONS

Additional Required Tools and Materials:

1A. 6 mm Drill Bit

1630019-T2-A



**Installation Steps:**

**2A.** Position the wall mounting bracket on the wall. Verify that the bracket is level.

**3A.** Mark three mounting installation holes for the shelf frame.

**4A.** Drill three 6 mm holes on the wall.

**5A** Install the provided wall anchors into the holes and tap with a hammer until the anchors are flush with the wall.

**6A.** Align the mounting bracket with the anchors and tighten the provided screws to secure the bracket.

**7A.** Install the long and short plugs into the slots on the mounting bracket.

**8A. For the Shelf Hook and Hair Dryer Holder:** Assemble the accessories to the shelf frame. Position the makeup brush holder onto the shelf frame.

**9A. For Double Toilet Paper Holder,** assemble the toilet paper holder bracket to the bottom of the shelf frame using the provided screws.

**10A. For Double Toilet Paper Holder,** assemble the toilet paper holder to the shelf frame with all four plugs inserted. Position the tray onto the toilet paper holder.

**Need help?** Please contact our Customer Service Center.

- Chinese mainland: +(86) 800-820-2628, +(86) 400-820-2628

- **Care and cleaning:** [kohler.com.cn/support/care-and-cleaning/](https://kohler.com.cn/support/care-and-cleaning/)

This product is covered under the Three-Year Limited Warranty for **KOHLER® Plumbing Products**, found in the packed Compliance Certification.

