

INSTALLATION INSTRUCTIONS

Single Lever Recessed Trim

16316-4	SINGLE LEVER RECESSED BATH & SHOWER TRIM
16317-4	SINGLE LEVER RECESSED SHOWER ONLY TRIM

BEFORE YOU BEGIN

All information is based on the latest product information available at the time of publication. Kohler Co. reserves the right to make changes in product characteristics, packaging, or availability at any time without notice.

Please leave these instructions for the consumer. They contain important information.

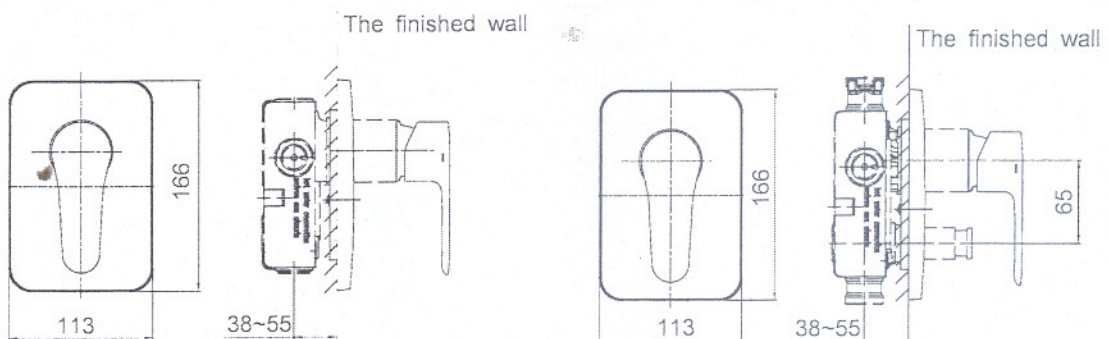
Notes:

1. Flush the water supply pipes thoroughly to remove debris.
2. Do not remove the plaster guard from the valve body until instructed to.
3. Install valve 880 according to the rough-in dimensions of 16317-4, Install valve 882 according to the rough-in dimensions of 16316-4.

ROUGH-IN DIMENSIONS

16317-4

16316-4



INSTALLATION

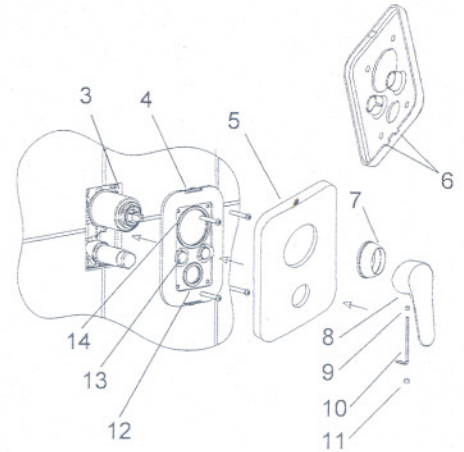
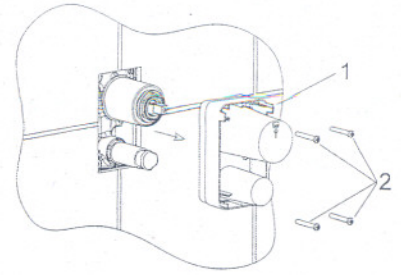
Note: Install valve 880 according to the rough-in dimensions of 16317-4, Install valve 882 according to the rough-in dimensions of 16316-4.

Remove the plastic guard(1) after completed the finished wall.

Note: Retain screws(2).

Slide the cover kit(4) onto the valve(3) with the plug(13) facing outside(**Note:** Don't squeeze out the rings 12, 14). Push it against the wall. Secure it with the screws(2). Slide the faceplate(5) onto the valve with slots(6) downwards, push it against the wall. Screw the bonnet(7) on the valve.

Install handle(8): Tighten the setscrew(9) with hex wrench(10). Press plug button(11) to the hole. The red part faces the left.



CLEANING INSTRUCTIONS

All Finishes: Clean the finish with mild soap and warm water. Wipe entire surface completely dry with clean soft cloth. Many cleaners may contain chemicals, such as ammonia, chlorine, toilet cleaner etc. which could adversely affect the finish and are not recommended for cleaning.

Do not use abrasive cleaners or solvents on Kohler faucets and fittings.

SERVICE PARTS

3007136
Cover Kit
(Only for 16317-4)

3007134
Cover Kit
(Only for 16316-4)

3006903
Ring
(Only for 16316-4)

3007056
Faceplate
(Only for 16317-4)

3006902
Ring

3007063
Faceplate
(Only for 16316-4)

3006923
Bonnet

1110392
Handle

833438
Screw

3008523
Plug Button

833730
2.5mm Hex Wrench

