

1637356-IN2

Record your model number: _____

NOTE: This faucet is designed for both the cold and hot water. The water inlet temperature must be less than 120°F (49°C).

NOTE: The minimum water inlet pressure is 7.25 psi (0.05 MPa). The maximum water inlet pressure is 80 psi (0.55 MPa).

Turn OFF the water supplies.

Follow all local plumbing and building codes.

The product shown may differ from your actual product. The installation steps still apply.

READ AND FOLLOW ALL INSTRUCTIONS

SAVE THESE INSTRUCTIONS

Additional Required Tools and Materials

1A. 8 mm Hex Wrench

Installation Steps

2A. Remove the protective covers.

4A. Verify that the O-ring is in place on the cover.

5A. Position the bonnet and handle on the valve.

6A. Tighten the screw with a provided 2.5 mm hex wrench to secure the handle. Insert the plug into the screw hole on the handle.

7A. Verify that the O-rings are in place on the connector.

7B. Install the connector into the valve with an 8 mm hex wrench (not provided).

8A. Install the spout with the provided 2.5 mm hex wrench.

Aerator Cleaning and Maintenance

9A. Periodically rinse debris from the aerator.

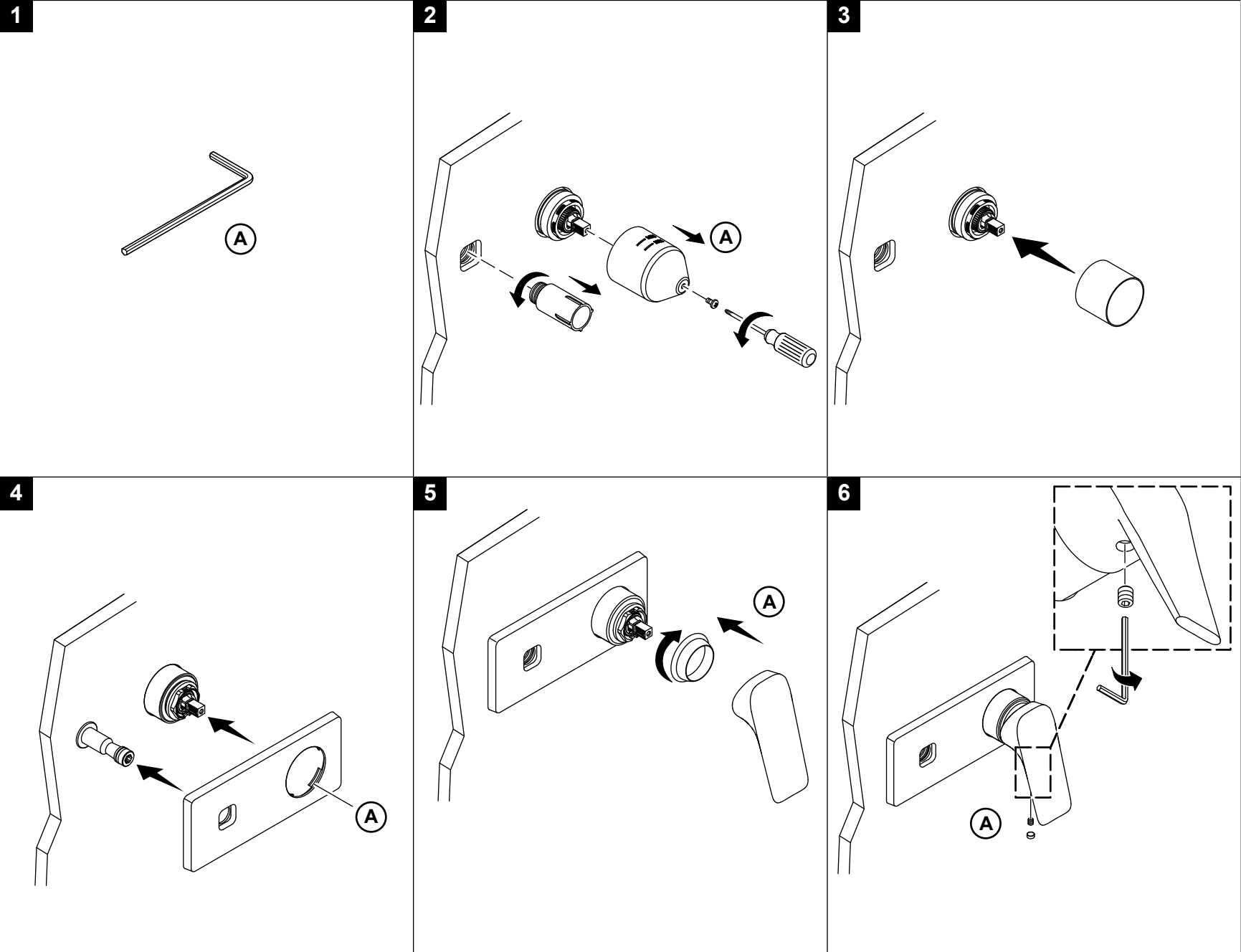
10A. Run the water to flush debris. Turn OFF the water and reinstall the aerator.

Need help? Contact our Customer Care Center.

• Email: indiacustomer@kohler.com

• Call: 1800-103-2244

• **Care and cleaning:** Please refer to the Care and Cleaning on the product detail page.



This product is covered under the KOHLER® India Faucet Limited Warranty, found at kohler.co.in/warranty. For a hardcopy of warranty terms, contact the Customer Care Center.

