

## BEFORE YOU BEGIN

Thank you for choosing the Bold Look of Kohler. Kohler craftsmanship offers you a rare combination of proven performance and graceful sophistication that will satisfy you for years to come. The quality and dependability of your Kohler seat will surpass your highest expectations. We are very proud of our products here at Kohler and we know you will be too. Please take a few minutes to study this manual. Pay special attention to the Care and Cleaning instructions. All information in this manual is based upon the latest product information available at the time of publication. At Kohler, we constantly strive to improve the quality of our products. We reserve the right to make changes in product characteristics, packaging or availability at any time without notice.

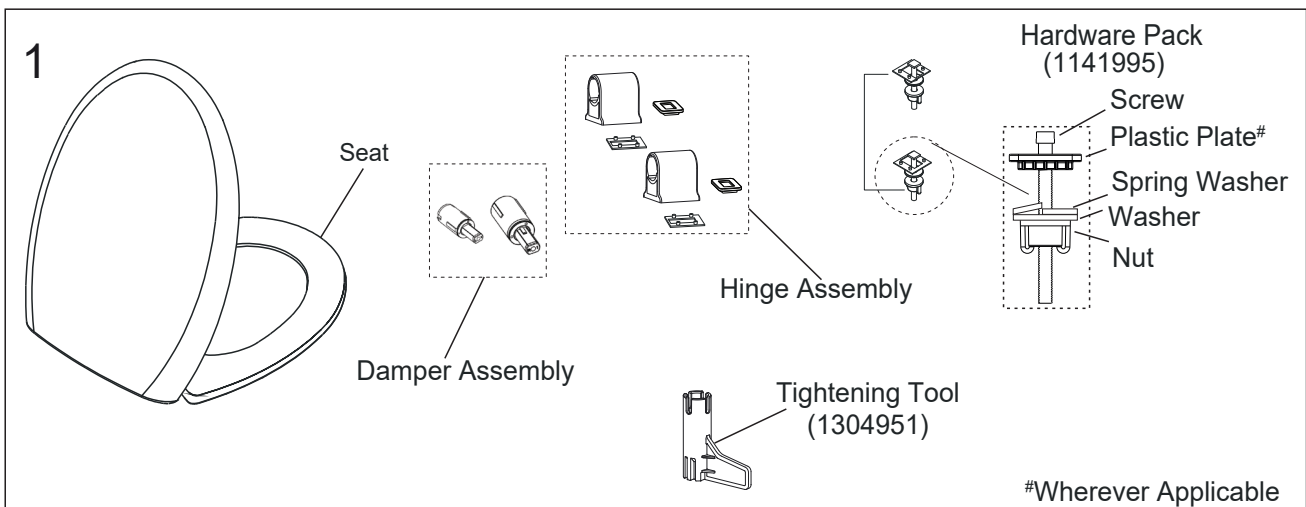
## WARRANTY

This product is covered under the **KOHLER® India Sanitaryware and Bathing Products Limited Warranty**, found at [kohler.co.in/warranty](http://kohler.co.in/warranty). For a hardcopy of warranty terms, contact the Customer Care Center.

## ORDERING INFORMATION

- |   |  |
|---|--|
| <p>1. WH Quiet-Close™ SEAT.....K-13946IN-2<br/>-Includes Hinge Assembly.....1317685**<br/>-Includes Damper Assembly.....1317684</p> | <p>3. Quiet-Close™ Seat.....K-8827IN<br/>-Includes Hinge Assembly.....1317687**<br/>-Includes Damper Assembly.....1317686</p>  |
| <p>2. 2Pc Quiet-Close™ Seat.....K-1877IN<br/>-Includes Hinge Assembly.....1317685**<br/>-Includes Damper Assembly.....1317684</p>   | <p>4. Quiet-Close™ Seat.....K-10614IN<br/>-Includes Hinge Assembly.....1317687**<br/>-Includes Damper Assembly.....1317688</p> |

Common Spare Part for all the above Toilet Seats:  
Tool Seat Installation..... 1304951  
Hardware Kit..... 1141995



## Supplied Parts:

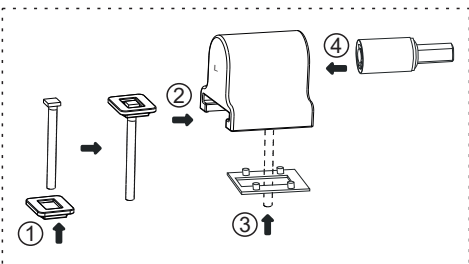
**Note:** Images for representational purposes only.

\*\*Finish/color code to be specified while ordering.

# INSTALLATION GUIDELINE

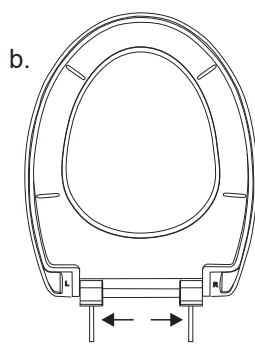
**2**

a.



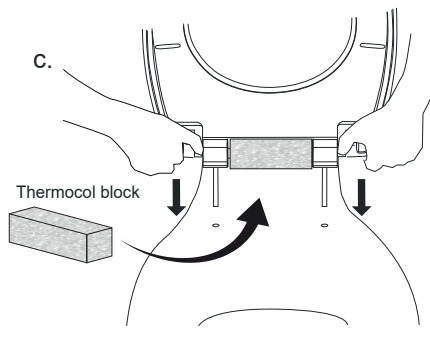
Assemble the hinge accessories together as shown to make hinge assembly.

b.



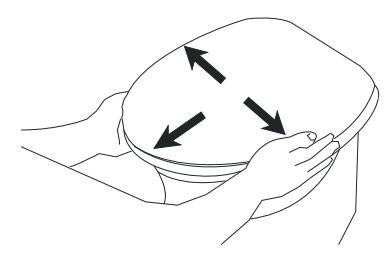
Insert the hinge assembly into the lid and ring. Verify the max position as shown. All "L" marked parts should be assembled on the left side. The same with the "R" marked parts.

c.



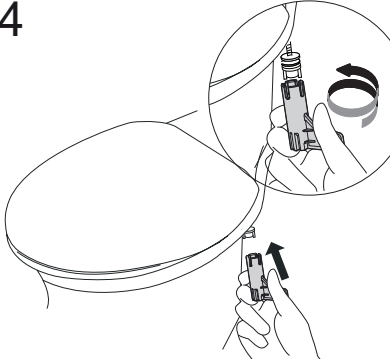
Insert EPS (thermocol) block between hinges to keep them at max position in direction shown and place the seat on the toilet and insert the bolts into the seat mounting holes.

**3**



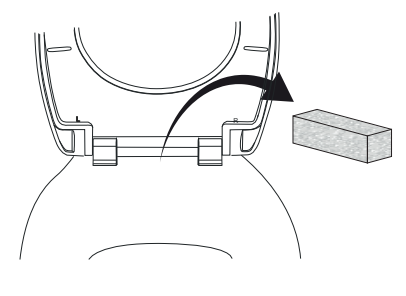
Adjust the toilet seat to proper position.

**4**



Fasten nut to tight the seat on toilet using tightening tool (Provided with the product).

**5**



Remove the EPS (thermocol) block after fixing the seat.

## Important Consumer Information

### Important Notice for Care, Cleaning and Daily use.

**⚠ CAUTION: Risk of Product damage.**

Do not stand, knock or stack heavy objects on the toilet seat. The load could damage the toilet seat.

Clean the outside surface of your toilet seat with mild soap and warm water. Wipe the surface completely dry with a clean soft cloth.

Do not use any abrasive cleaners as they will scratch and dull the surface. Avoid any detergents, disinfectants or cleaning products. Avoid contact with abrasive chemicals and solvents such as nail polish removers, thinners and after shave lotions as they may damage the surface of your toilet seat.

To prevent any possible damage to the seat and its components, do not use strong acidic or strong alkaline cleaners. If the surface becomes excessively dirty, please use a mild general purpose cleaner.

In case of Quiet-Close™ seat, allow the seat to drop down at its own pace. Do not force the closure as it may damage the dampers.

Avoid direct exposure to strong lights such as sunlight, ultraviolet lamps, etc.

Toll Free 1800 103 2244  
kohler.co.in  
©2026 Kohler Co.