

## BEFORE YOU BEGIN

Thank you for choosing the Bold Look of Kohler. Kohler craftsmanship offers you a rare combination of proven performance and graceful sophistication that will satisfy you for years to come. The quality and dependability of Kohler seat will surpass your highest expectations. We are very proud of our products here at Kohler and we know you will be too. Please take a few minutes to study this manual. Pay special attention to the Care and Cleaning instructions. All information in this manual is based upon the latest product information available at the time of publication. At Kohler, we constantly strive to improve the quality of our products. We reserve the right to make changes in product characteristics, packaging or availability at any time without notice.

## WARRANTY

This product is covered under the **KOHLER® India Sanitaryware and Bathing Products Limited Warranty**, found at [kohler.co.in/warranty](http://kohler.co.in/warranty). For a hardcopy of warranty terms, contact the Customer Care Center.

## ORDERING INFORMATION

### 1. Quiet-Close™ Slim Seat.....K-20192IN-SS

Spare Parts include:-

Damper Assy.....	1237568
Hardware Pack.....	1223617
Hinge Housing.....	1208319**
Bumper Lid.....	1232129**
Bumper Ring.....	1148549**
Fixation Board.....	1217314**
Hinge Cover.....	1217313**

### 2. Quiet-Close™ Seat.....K-8798IN-UF

Spare Parts include:-

Damper Assy.....	1221671
Hardware Pack.....	1208316

### 3. Quiet-Close™ Seat.....K-6091IN

Spare Parts include:-

Damper Assy.....	1237568
Hardware Pack.....	1223617

Common Spare Parts for Presuquile & Replay QC Seat:-

1. Bumper, Lid.....	1148548**
2. Bumper, Ring (x4).....	1148549**
3. Fixation Board.....	1217314**
4. Hinge Cover.....	1217313**
5. Hinge Housing.....	1217312**

\*\*Finish/color code to be specified while ordering.

**Note:** Consumer should preserve this document to order spare parts in future.

## INSTALLATION GUIDELINE

1. Mount the fixation board on the toilet seat as per the guidelines below:-
  - a) Insert the rubber fixation into the seat mounting holes of the Toilet.
  - b) Place the fixation board over the rubber fixation, matching their holes.
  - c) Place the press plate over the fixation board.
  - d) Insert screw into the holes through press plate, fixation board and rubber fixation, and hand tighten it suitably.

Refer Figure #1

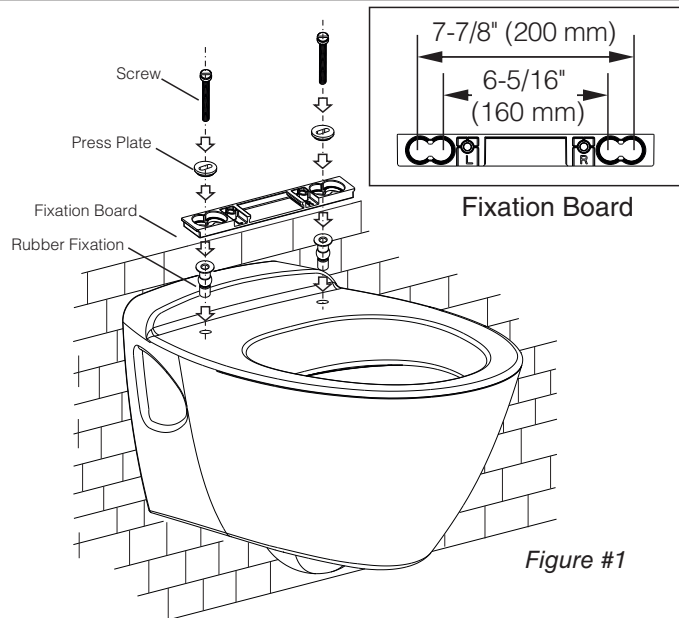
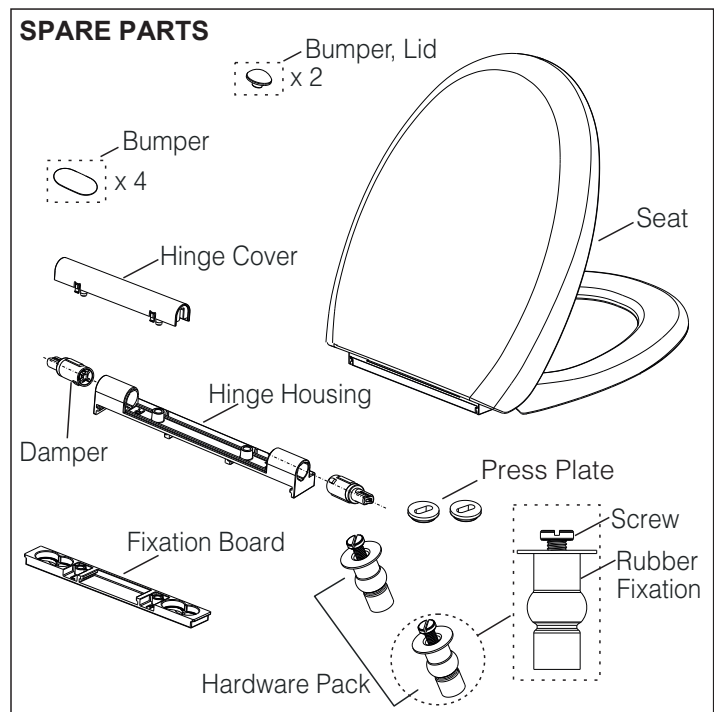
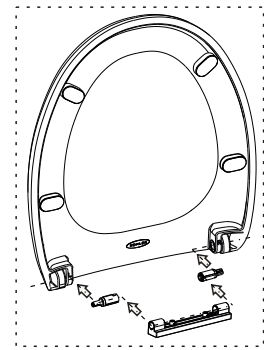


Figure #1

# INSTALLATION GUIDELINE

- Slide the toilet seat assembly into the groove of the fixation board according to the arrow direction till the seat fixes into position.  
*Refer Figure #2.*



Toilet Seat Assembly



Figure #3

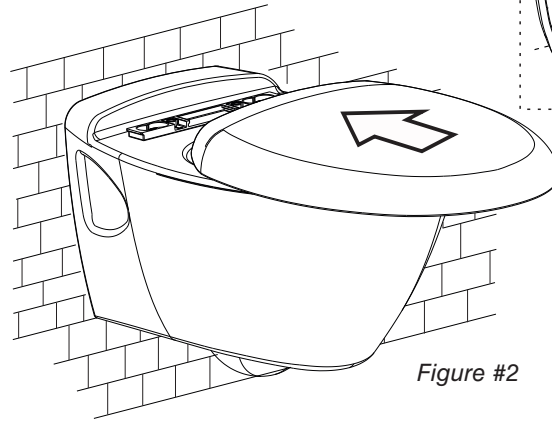


Figure #2

- Open the seat cover (lid) and seat ring and snap the hinge cover on the fixation board. *Refer Figure #3.*

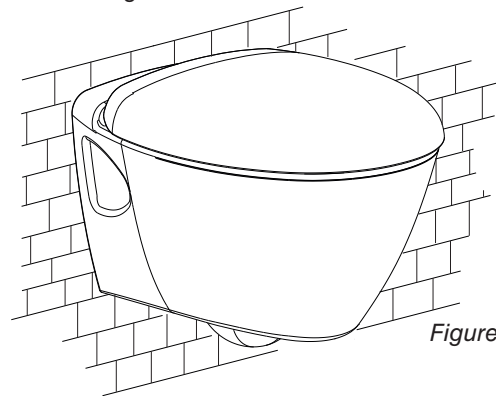


Figure #4

Toilet seat as installed.

- Finally, Inspect the seat for proper installation. Clean the seat and toilet surface with a soft cloth.

## IMPORTANT CONSUMER INFORMATION

### Important Notice for Care, Cleaning and Daily use.

 **CAUTION: Risk of product damage.**

Do not stand, knock or stack heavy loads on the toilet seat. The weight could damage the toilet seat.

Clean the outside surface of your toilet seat with mild soap, such as liquid dish soap and warm water. Wipe the entire surface completely dry with a clean soft cloth.

Do not use any abrasive cleaners, as they will scratch and dull the surface. Avoid any detergents, disinfectants or cleaning products in aerosol cans. Avoid contact with abrasive chemicals and cosmetics such as nail polish and after shave, as they may damage the finish of your toilet seat.

To prevent any possible damage to the seat and its components, do not use cleaners with strong acidic or strong alkaline nature. If the surface becomes excessively dirty, please use a mild general purpose cleaner.

During closure, allow the seat to drop down at its own pace. Do not force the closure, which may damage the dampers.

Avoid direct exposure to strong lights such as ultraviolet.

**Toll Free 1800 103 2244**

**kohler.co.in**

**©2026 Kohler Co.**