

# 安装说明

## 独立式浴缸

记录您的型号：

Record your model number: \_\_\_\_\_

English, page 8

**KOHLER®**

1657814-T2-A

# 感谢您选择科勒

---

需要帮助？请联系我们的客户服务中心。

- 中国大陆：+(86) 800-820-2628, +(86) 400-820-2628
- 保养和清洁：[kohler.com.cn/support/care-and-cleaning/](http://kohler.com.cn/support/care-and-cleaning/)

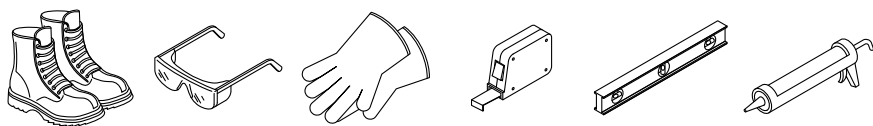
## 质保

---

本产品在科勒®卫浴产品的 3 年有效质保范围内，详见所附的《合格证》。

## 工具和材料

---



密封硅胶


以及：

- 20 cm x 20 cm 木条
- 搬运带
- 浴缸保护套

## 重要安全信息

---

在安装或使用本产品之前阅读所有说明。

 **警告：**人身伤害或产品损坏风险。如果处理不慎，产品可能会破裂、碎裂或造成人身伤害。寻求帮助来提起产品。



**警告：人身伤害或产品损坏风险。**请小心移动、搬运、和拆封产品，防止浴缸磕碰或意外损伤，施工过程中，建议将所有材料都保留在箱内以避免损坏。



**警告：财产损失风险。**请勿滚动浴缸，如需平行搬运，建议采用搬运带。如需临时竖直浴缸，请在地面垫上缓冲材料，以防止浴缸边缘集中受力，从而造成产品损伤。

**重要信息!** 确认浴室尺寸并预留排水位置。查阅产品尺寸图了解安装尺寸，确保有充分的空间安装浴缸。

**重要信息!** 检查浴缸下的地面，请确保底层地面水平和平整，且对底层地面进行防水处理。灵雅石/清雅石浴缸比较重，请确保地面能为浴缸提供足够的支撑，浴缸的重量和用水量均标注在尺寸图上，请依据此数据评估您的地面是否足以支撑浴缸、水和使用者的重量。

请遵守当地管路安装及建筑条例。

打开包装并检查产品是否有损坏。如未安装，请将产品放回包装箱中。

此浴缸不易通过门口，请提前规划如何将浴缸搬入安装区域。

为方便日后维护，请预留管道连接的检修空间。

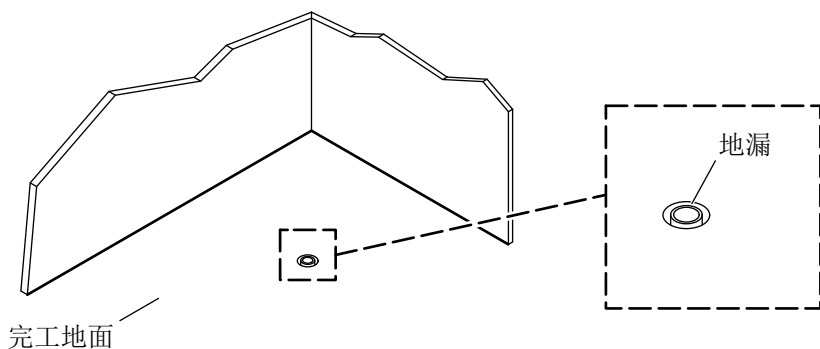
关闭供水系统。

**阅读并遵守所有说明**

**请保存说明书。**

# 1. 准备安装场地

---

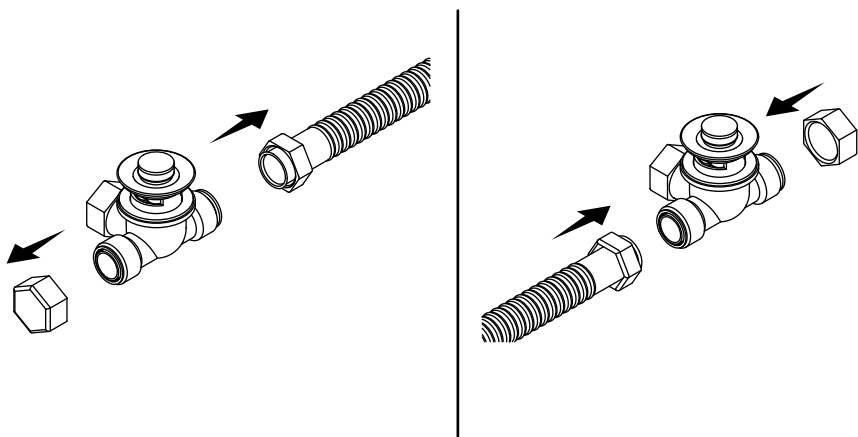


**重要信息!** 请确保地面能为浴缸提供足够的支撑，并确保浴缸安装在水平且平整的地面上。

- 确认浴室内浴缸的安装位置。
- 定位浴缸安装位置，从而确定溢水口的朝向。
- 施工完成浴室地面，确认地面水平且平整，如需要，请自行修补以确保支撑浴缸。
- 预留地漏位置，确保排水管可以连接到浴缸落水位置。

## 2. 调节下水器排水管方向

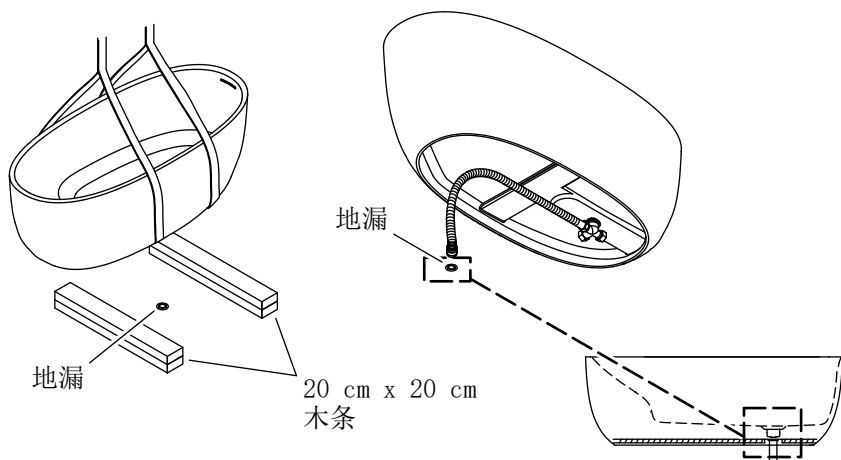
---



- 按照预留地漏位置，确定浴缸下水器排水管方向。
- 拧松螺母可将软管安装至另一侧。

### 3. 安装浴缸

---

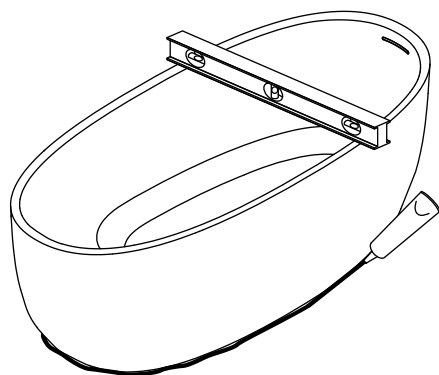


**⚠️ 小心：人身伤害风险。本产品较重，请寻求帮助或使用工具提起或移动产品。**

- 将 20 cm x 20 cm 木条放置在浴缸底部，用于临时支撑浴缸。
- 在他人协助下，使用搬运带将浴缸小心地抬起并放置在 20 cm x 20 cm 木条上，使浴缸的排水口正好位于地漏上方。
- 将软管安装到现有的地漏上。如有需要，可使用密封硅胶密封。
- 再次使用搬运带并请人协助，移除 20 cm x 20 cm 木条，小心地将浴缸放置在地板上。

## 4. 完成安装

---



- 确认浴缸是否水平。
- 多次按压排水盖，确认排水装置能正常开启和关闭。
- 如有需要，可在浴缸与铺设完成的地板之间的缝隙处涂上一圈细而连续的密封硅胶。
- 关闭浴缸排水口。
- 将浴缸注水至溢水口，并检查排水连接处是否有泄漏。
- 让密封硅胶固化 24 小时。

# Installation Instructions

## Freestanding Bath

### Thank You for Choosing KOHLER

---

Need help? Please contact our Customer Care Center.

- Mainland China: +(86) 800-820-2628, +(86) 400-820-2628
- Care and cleaning: [kohler.com.cn/support/care-and-cleaning/](http://kohler.com.cn/support/care-and-cleaning/)

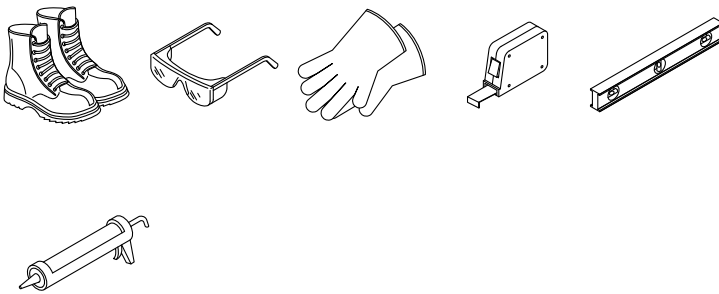
### Warranty

---

This product is covered under the **Three-Year Limited Warranty for KOHLER® Plumbing Products**, found in the packed Compliance Certification.

### Tools and Materials

---



Silicone Sealant

Plus:

- 20 cm x 20 cm Wooden Strip

- Lifting Straps
- Bath Protection Cover

## Important Information

---

### READ ALL INSTRUCTIONS BEFORE INSTALLATION



**WARNING: Risk of personal injury or product damage.** Product can break, chip, or cause injury if handled carelessly. Get help lifting the product.



**WARNING: Risk of personal injury or product damage.** Be careful when moving, transporting or unpacking the bath. Keep the product to the carton until installation.



**WARNING: Risk of property damage.** Do not roll the bath. Use lifting straps for horizontal movement. If the bath must be temporarily placed vertically on the floor, prepare buffer materials in advance. **DO NOT** let the edge of the bath touch the floor.

**IMPORTANT!** Verify the bathroom dimension and confirm the drain location. Refer to the Roughing-in Sheet for the installation dimensions and verify that there is enough space for bath.

**IMPORTANT!** Inspect the subfloor beneath the bath. Verify that the subfloor is level, flat, and properly waterproofed. LITHOCAST/LITHO CAST GLOSSY bath is heavy. Make sure the floor provides adequate support for the bath. Refer to the Roughing-in Sheet to find the bath weight and water capacity. Evaluate whether the floor provides adequate support for the combined weight of the bath, water, and user.

Follow all local plumbing and building codes.

Unpack and inspect the product for damage. Return the product to the carton until installation.

This bath will not easily fit through doorways. Carefully plan how to move the bath into the installation area.

To simplify future maintenance, provide access to plumbing connections.

Turn OFF the water supplies.

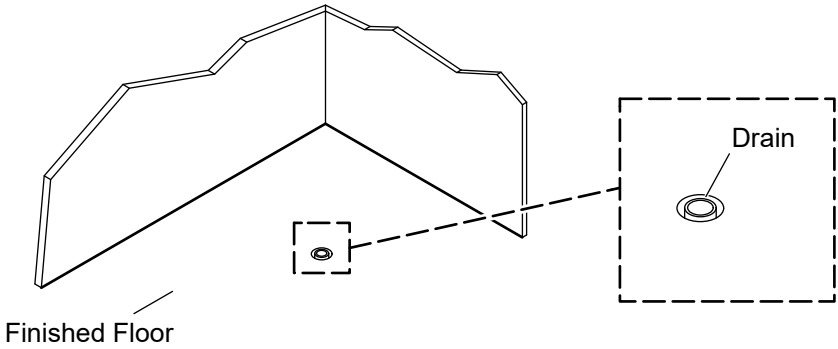
### READ AND FOLLOW ALL INSTRUCTIONS

SAVE THESE INSTRUCTIONS

E  
N

# 1. Prepare the Site

---

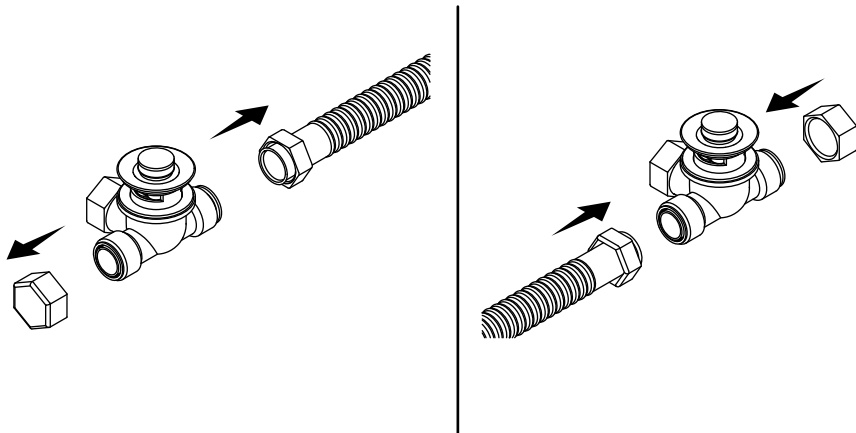


**IMPORTANT!** Verify that the subfloor is level and offers adequate support for the bath.

- Determine the location of the bath.
- Position the bath so that the overflow side of the bath faces the preferred direction.
- Install the finished floor material. Verify that the finished floor is level before proceeding. Adjust as needed.
- Confirm the drain location and make sure that the flexible hose can connect to the drain.

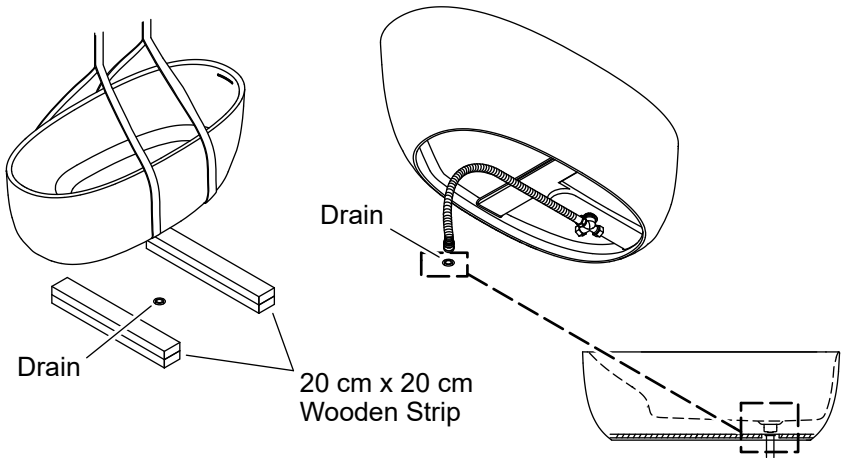
## 2. Adjust the Drain Pipe Direction

---



- Adjust the direction of the bath drain pipe according to the marked drain location.
- Loosen the nut to install the flexible hose on the opposite side, if needed.

### 3. Install the Bath

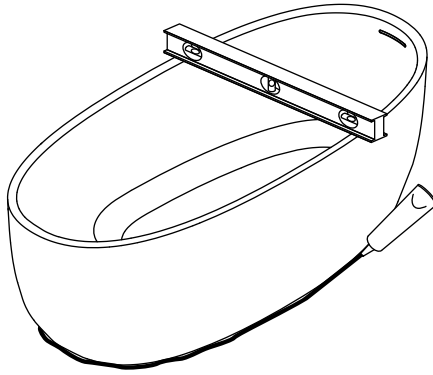


**CAUTION: Risk of personal injury.** This bath is heavy. Obtain sufficient help and use lifting straps to lift or move the bath.

- Place a 20 cm x 20 cm wooden strip beneath the bath for temporary support.
- With assistance, carefully lift the bath using lifting straps and place the bath onto the wooden strip. Verify that the bath drain outlet is positioned directly above the floor drain.
- Connect the flexible hose to the existing floor drain. If necessary, apply the silicone sealant to ensure a watertight connection.
- With assistance, use lifting straps to remove the 20 cm x 20 cm wooden strip and carefully lower the bath onto the floor.

## 4. Complete the Installation

---



- Verify that the bath is level.
- Press the drain cover several times to confirm that the drain opens and closes properly.
- If desired, apply a thin, continuous bead of clear silicone sealant to the seam between the bath and the finished floor.
- Close the bath drain.
- Fill the bath to the overflow and check the drain connections for leaks.
- Allow the silicone sealant to cure for 24 hours.



[kohler.com.cn](http://kohler.com.cn)

THE BOLD LOOK  
OF **KOHLER**®

©2025 Kohler Co.



1657814-T2

**1657814-T2-A**