

# 安装说明

## 电源适配器组件

记录您的型号：

Record your model number: \_\_\_\_\_

English, page 8

**KOHLER®**

1662924-T2-A

# 感谢您选择科勒






---

需要帮助？请联系我们的客户服务中心。

- 中国大陆：+(86) 800-820-2628, +(86) 400-820-2628
- 保养和清洁：[kohler.com.cn/support/care-and-cleaning/](http://kohler.com.cn/support/care-and-cleaning/)

## 重要安全信息

---

-  **警告：** 存在触电、火灾或人身伤害的风险。此产品必须安全安装。仅连接到受漏电保护器 (RCD) 保护的专用 110 V - 240 V 的电路。
-  **小心：** 存在触电与产品损坏风险。在进行保养时，请勿泼水到机器主要原件内。
-  **警告：** 存在触电、火灾或人身伤害的风险。确认感应器安装完成后，才可以将电源适配器连接到总电源。
-  **警告：** 存在触电、火灾或人身伤害的风险。交流电的总电源必须有合适的熔断丝加以保护。
-  **警告：** 存在触电风险。维修前请先断开电源并关闭供水系统。

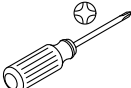
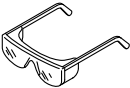
请遵守当地管道安装、建筑及电气条例。

在安装或使用本产品之前阅读所有说明。

请保存说明书。

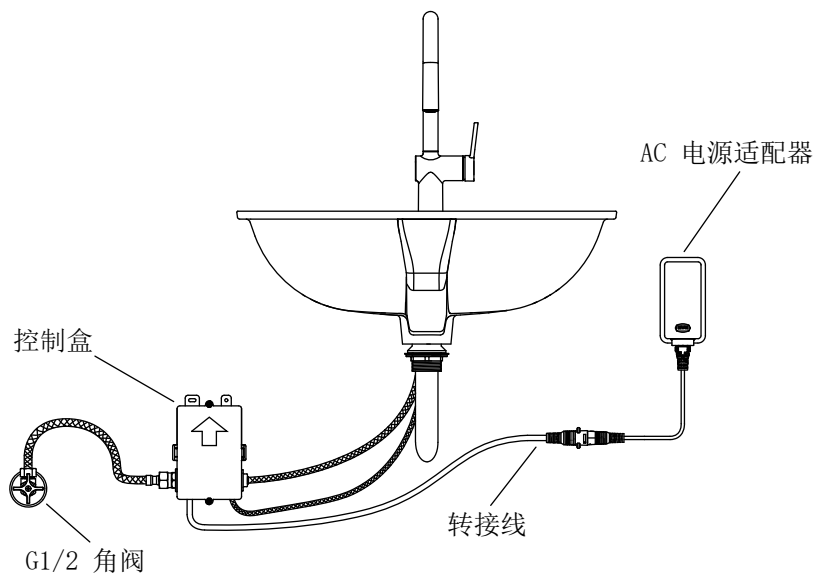
# 工具与材料

---



## 1. 准备安装场地

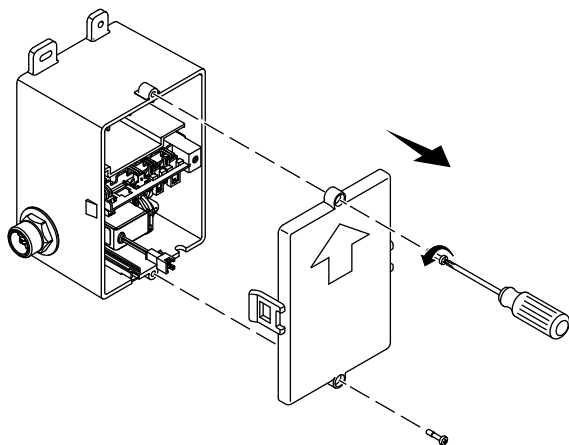
---



- 确认台盆和龙头已安装。
- 在适当范围内，选择 AC 电源适配器组件安装位置，确认位置可连接至控制盒。

## 2. 拆卸控制盒

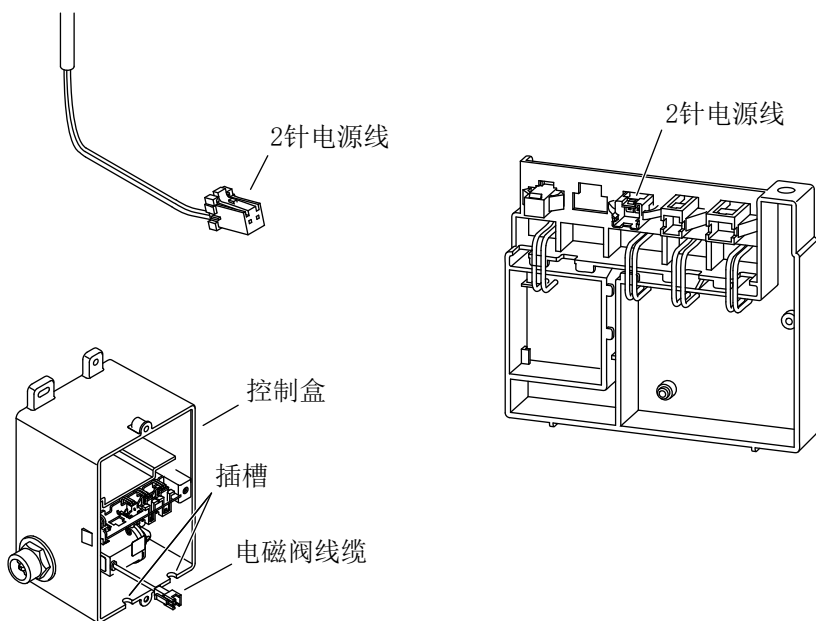
---



- 用螺丝刀拧松控制盒盖上的螺钉。
- 拆卸控制盒盖。

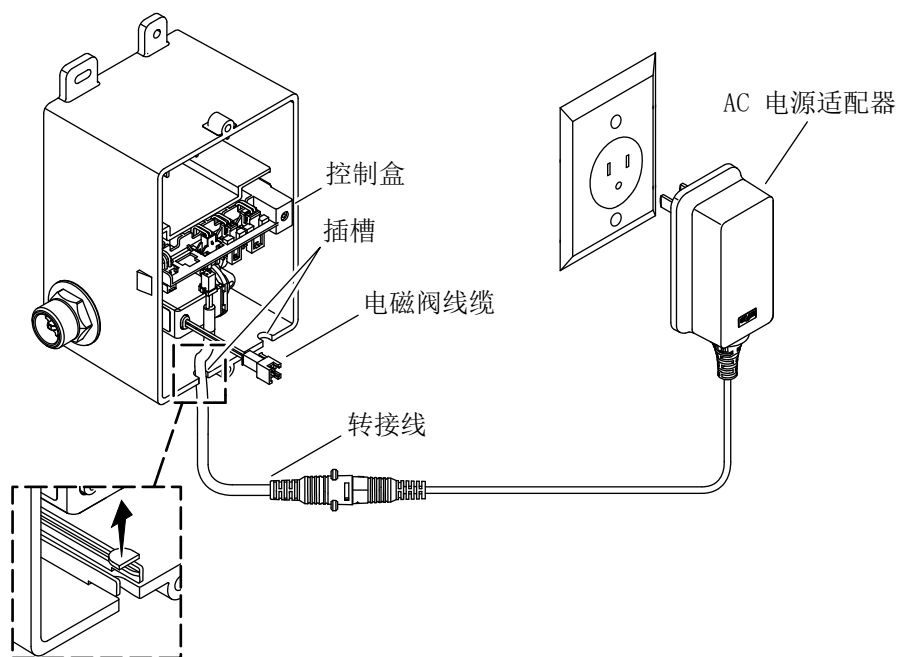
### 3. 连接电源

---



- 将 AC 电源适配器组件的 2 针电源线连接到控制盒中的 2 针电源接头。
- 将 AC 电源适配器组件连接到电源。

## 4. 完成安装



- 移除插槽处的卡扣（薄片状），保证出线口光滑。
- 将线缆穿过插槽口。
- 将 AC 电源适配器组件连接到电源。
- 装上控制盒盖，并用螺丝刀拧紧控制盒盖上的螺钉。

# Installation Instructions

## AC Power Unit

EN

### Thank You for Choosing KOHLER

---

**Need help?** Please contact our Customer Care Center.

- Mainland China: +(86) 800-820-2628, +(86) 400-820-2628
- **Care and cleaning:** [kohler.com.cn/support/care-and-cleaning/](http://kohler.com.cn/support/care-and-cleaning/)

### Important Information

---



**WARNING: Risk of electric shock, fire, or personal injury.** This product must be installed safely. Connect only to dedicated 110 V - 240 V circuit protected by a Residual Current Device(RCD).



**CAUTION: Risk of electric shock or product damage.** Do not spray water on the main dryer unit when conducting maintenance.



**WARNING: Risk of electric shock, fire, or personal injury.** Install the sensor before connecting the AC power unit assembly to the power supply.



**WARNING: Risk of electric shock, fire, or personal injury.** The AC power supply must come with fuse protection.



**WARNING: Risk of electric shock.** Disconnect the power supply and turn OFF the water system before performing any maintenance.

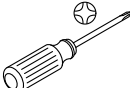
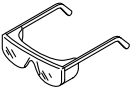
Follow all local plumbing, building, and electrical codes.

**READ ALL INSTRUCTIONS BEFORE INSTALLATION**

**SAVE THESE INSTRUCTIONS**

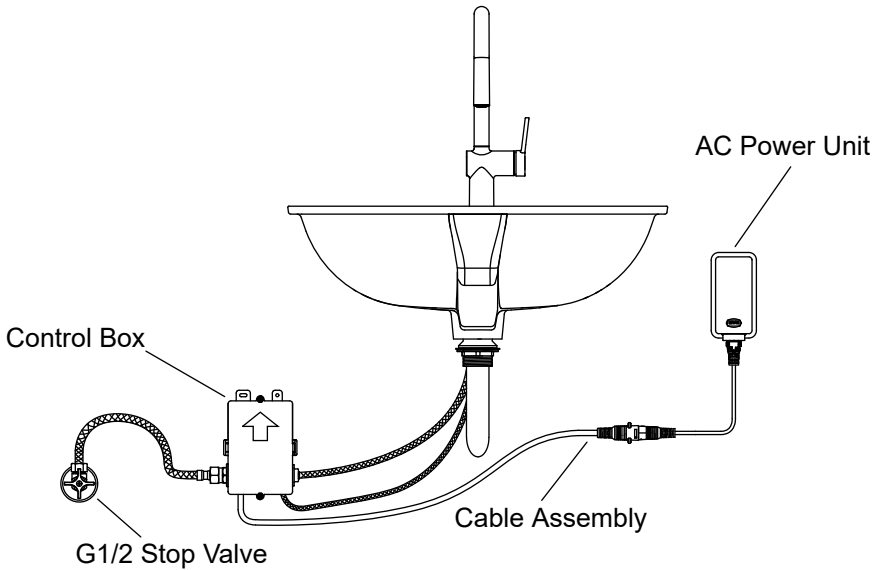
# Tools and Materials

---



## 1. Prepare the Site

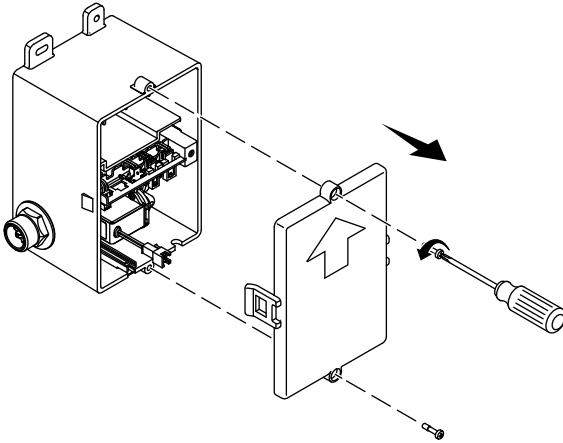
---



- Verify that the kitchen sink and the faucet are installed.
- Install the AC power unit within the specified range for connection to the control box.

## 2. Open the Control Box

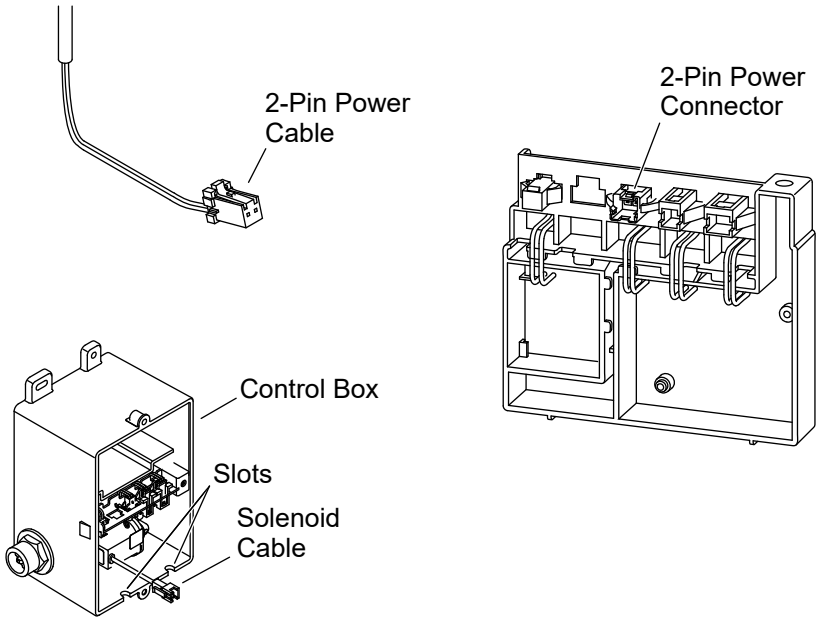
---



- Loosen the screws on the control box cover using a screwdriver.
- Remove the cover of the control box.

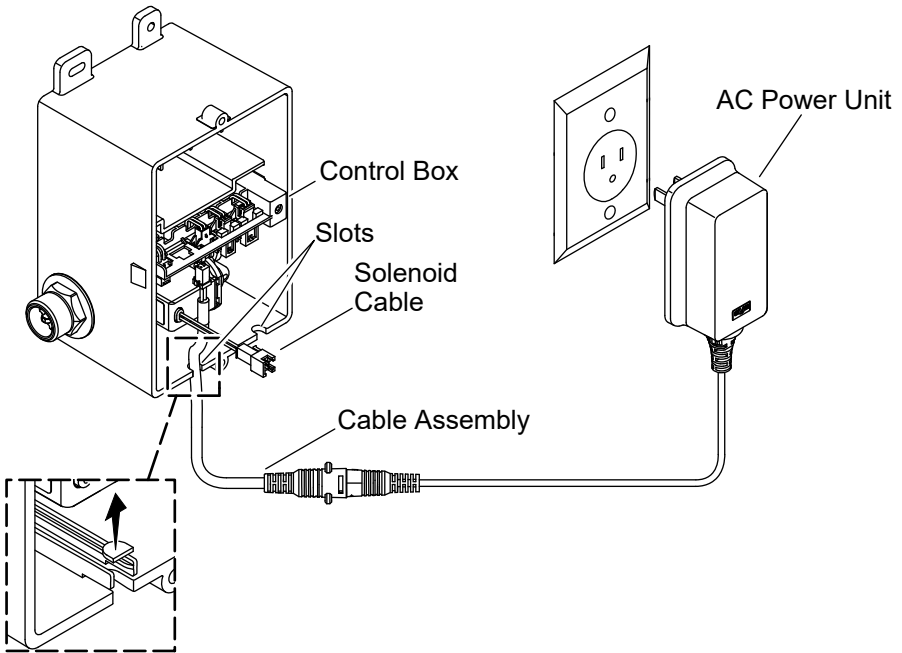
### 3. Connect the Control Box

---



- Connect the 2-pin power cable from the AC power unit assembly to the 2-pin power cable from the control box.
- Connect the AC power unit assembly to the power supply.

## 4. Complete the Installation



- Remove the clip (thin sheet) from the slot to ensure the cable outlet is smooth.
- Route the cable through the slot opening.
- Connect the AC power unit to the power supply.
- Install the control box cover and tighten the screws on the cover using a screwdriver.





[kohler.com.cn](http://kohler.com.cn)

THE BOLD LOOK  
OF **KOHLER**®

©2025 Kohler Co.



1662924-T2

**1662924-T2-A**