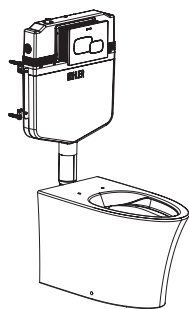
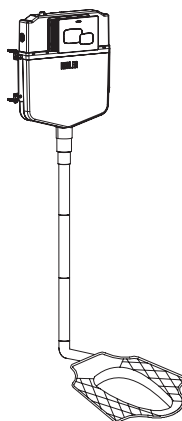


# Installation Guide 安装说明

## HYDRO-TOWER 110 In-Wall Tank 海德丽 110 入墙式隐藏水箱



In-Wall Tank Without Frame  
入墙式隐藏水箱（不含固定支架）坐便器



In-Wall Tank Squat  
入墙式隐藏式水箱蹲便器

KOHLER CHINA INVESTMENT CO., LTD NO.158, JIANG CHANG SAN ROAD,  
JING'AN DISTRICT, SHANGHAI, PRC POST CODE: 200436  
科勒（中国）投资有限公司 上海市静安区江场三路 158 号 邮编：200436

THANK-YOU FOR CHOOSING KOHLER COMPANY .....	1
BEFORE YOU BEGIN .....	2
SPECIFICATIONS .....	3
RECOMMENDED TOOLS AND MATERIALS .....	3
ROUGHING-IN .....	3
INSTALLATION .....	4
INSTALLATION METHODS .....	4
First method: Installation for In-Wall Tank without frame .....	4
1A. Installation of In-Wall Tank .....	4
1B. Discharge pipe installation method .....	5
1C. Connecting the water pipe .....	5
1D. Installations of reserved access panel .....	6
1E. Building of the wall .....	7
1F. Installation of wall-faced toilet .....	7
1G. Installation of faceplate .....	8
1H. After installation, the water supply and electricity can be connected and used .....	8
Second method: Installation for In-Wall Tank squat .....	8
2A. Installation of In-Wall Tank .....	8
2B. Following the steps: 1C. Connecting the water pipe .....	9
2C. Following the steps: 1D. Installation of reserved access panel .....	9
2D. Installation of squat and building of the wall .....	9
2E. Following the steps: 1G. Installation of faceplate .....	9
2F. After installation, the water supply and electricity can be connected and used .....	9
REMOVAL AND MAINTENANCE .....	10
A. Removal .....	10
B. Maintenance .....	11
TROUBLE SHOOTING PROCEDURES .....	11
COMPLIANCE CERTIFICATION .....	12
感谢您选择科勒公司 .....	1
安装之前 .....	2
规格 .....	3
所需工具及材料 .....	3
尺寸图 .....	3
安装 .....	4
安装方式 .....	4
安装方式一：无框架入墙式隐藏水箱坐便器安装 .....	4
1A. 隐藏水箱安装 .....	4
1B. 排污管安装方法 .....	5
1C. 供水管连接 .....	5
1D. 预留检修口安装 .....	6
1E. 砌墙 .....	7
1F. 落地坐便器安装 .....	7
1G. 面板安装 .....	8
1H. 安装完毕，可以通水或者通电使用 .....	8
安装方式二：入墙式隐藏水箱蹲便器安装 .....	8
2A. 隐藏水箱安装 .....	8
2B. 按照步骤：1C. 供水管连接 .....	9
2C. 按照步骤：1D. 预留检修口安装 .....	9
2D. 蹲便器安装及砌墙 .....	9
2E. 按照步骤：1G. 面板安装 .....	9
2F. 安装完毕，可以通水或者通电使用 .....	9
拆卸与维护 .....	10
A. 拆卸 .....	10
B. 维护 .....	11
故障排除 .....	11
合格证 .....	12

## THANK-YOU FOR CHOOSING KOHLER COMPANY

## 感谢您选择科勒公司

- Thank you for choosing Kohler. Kohler craftsmanship offers you a rare combination of proven performance and graceful sophistication that will satisfy you for years to come. The dependability and beauty of your Kohler product will surpass your highest expectations. We're very proud of our products here at Kohler and we know you will be too.
- Please study this Installation Guide carefully.
- 感谢您选择科勒。科勒技术提供了可靠性能和优雅生活的结合，满足了您未来几年的需求。科勒产品的美观和可靠性将满足您最挑剔的眼光。我们为我们科勒的产品感到非常地自豪，相信您也会。
- 请仔细阅读一下这本安装手册。

- Read the Installation Guide in illustration and word file carefully, and install the tank according to instructions in the guide to avoid product damage and installation inconvenience caused by inappropriate operation.
- All data contained is based upon the last product information available at the time of publication. Kohler Company reserves the right to implement changes of product characteristics, packaging and availability at any time without further notice.
- The manual includes important information on care, cleaning and servicing. - **please carefully save this manual.**
- We appreciate your commitment to Kohler quality. Please take a few minutes to review this manual before you start installation. If you encounter any installation or performance problems, please don't hesitate to contact us. Thanks again for choosing Kohler Company.
- Before installation, please make sure there is sufficient space for the equipment and for the door to open and close.
- When installing the product in the room, a stop valve shall be installed in close proximity. For emergency circumstances, it must be possible to close the water inlet valve without using any tools; otherwise unexpected failure may cause losses to the customer.
- Do not apply erosive cleansers or solvents in the tank, which will damage the tank components and result in leakage in the tank. Kohler will not be responsible for any damage related to above mentioned cleansers or solvents. Mild detergent can be used.
- Do not apply components that are not provided by Kohler, and please note that glass adhesive tape shall not be applied to the installation of Kohler spares. Kohler will not be responsible for any damage related to installation with spares not provided by Kohler.
- Please install the tank frame on a solid wall thicker than 100mm.
- During building the wall in front of the tank, please take protective measures and don't squeeze the tank body directly with concrete, brick or other hard materials.
- This product should be well protected to prevent dust, mud and other debris from entering the water tank, which may otherwise impact its function.
- Please straighten out the air hose and remove excess length of the hose.
- When installing the water tank faceplate by pressing from front, with the difference between the ambient temperature and the water temperature greater than 10°C, it is recommended to add a cover to the faceplate window. Purchase the suitable models separately (1413977-SP, 1414279-SP & 1411859-SP).
- In order to install K-31881T faceplate, do not install the mask that comes with the tank. And you can purchase separately 1586949 mask assembly (no need to purchase for pinch installation). Refer to Installation Guide of K-31881T faceplate for detailed installation methods.
- 请仔细阅读图示说明及文字安装说明, 按照说明书的步骤安装, 以避免产品损坏或不良操作导致安装不便。
- 所有的资料是按出版时的最新产品资料编写的, 本公司保留在任何时候不需通知便可更改产品的特征、包装或供应产品的权利。
- 本指引也包含了有关护理、清洁及保养等重要资料 - **请交予用户保存。**
- 我们感谢您对科勒质量的信任。在您开始安装之前, 请您花上几分钟时间来阅读这本手册。如果您在安装或性能方面遇到任何问题, 务必请您与我们联系。再次感谢您选择科勒公司。
- 安装前, 请确保坐便器安装所需要的空间, 并不会影响到门的开关。
- 在安装本产品的同一房间中, 需要在触手可及的位置安装一个止水阀, 用于紧急情况下, 无需借助工具即可切断本产品的进水路; 否则本产品的意外故障可能会导致用户损失。
- 请不要在水箱内使用具有腐蚀性的非中性清洁剂或溶剂, 否则会严重地损坏水箱配件, 导致漏水。因使用上述清洁剂或溶剂而使水箱不能正常使用或出现其它连带性的损坏, 本公司恕不负责。但中性清洁剂可以使用。
- 请不要采用非本公司提供的零件, 如玻璃胶等不能用于本公司配件的安装。因使用非本公司提供的零件安装而本公司产品导致的损坏, 本公司恕不负责。
- 本产品须固定在实心承重墙上, 墙的厚度应不小于 100mm。
- 在水箱前方用水泥构筑假墙时, 须在水箱与水泥之间做好相关保护措施, 以免损坏箱体。
- 本产品做好保护, 防止尘土、泥沙及其他杂物进入水箱, 影响产品功能。
- 本产品气管请理顺并减掉多余的气管。
- 水箱面板前按安装, 环境温度与水温相差大于 10°C 时, 面板窗口建议增加遮板, 请另购适配的一款 (1413977-SP, 1414279-SP & 1411859-SP)
- 如需安装 K-31881T 面板, 请勿安装水箱自带方外罩, 可另购 1586949 方外罩组件 (扣板安装不需购买), 详细安装方法参见 K-31881T 面板说明书。

## Product Information

HT110 IWT W/O F 3.0/4.5L .....	K-32790T*
HT110 IWT W/O F 3.0/4.5L (K) .....	K-32790K-PNE
HT110 IWT W/O F 3.0/5.0L (MY) .....	K-32616MY-PNE
HT110 IWT W/O F 2.6/4.0L (R) .....	K-32792R-PNE
HT110 IWT W/O F 6.0L (SQUAT) .....	K-32787T
HT110 IWT W/O F 5.0L (SQUAT) .....	K-29956T

**Note:** -\* is the code for wall-hung or wall-faced toilet series that in-wall tank can match with, which may represent VL.

## 产品信息

海德丽 110 气动无框架入墙式隐藏水箱, 3.0/4.5 升 .....	K-32790T*
海德丽 110 气动无框架入墙式隐藏水箱, 3.0/4.5 升 (K) .....	K-32790K-PNE
海德丽 110 气动无框架入墙式隐藏水箱, 3.0/5.0 升 (MY) .....	K-32616MY-PNE
海德丽 110 气动无框架入墙式隐藏水箱, 2.6/4.0 升 (R) .....	K-32792R-PNE
海德丽 110 气动无框架入墙式隐藏水箱, 6.0 升 (蹲便器) .....	K-32787T
海德丽 110 气动无框架入墙式隐藏水箱, 5.0 升 (蹲便器, 单冲) .....	K-29956T

**注:** -\* 为入墙水箱可匹配的挂墙马桶或落地马桶产品系列代码, 有 VL 等系列。

# SPECIFICATIONS

# 规格

Liters per flushing 冲洗水量	K-32787T	Full flushing volume: 6.0L 大档水量: 6.0L Half flushing volume: 6.0L 小档水量: 6.0L
	K-29956T	Flushing volume: 5.0L 水量: 5.0L
	K-32616MY-PNE	Full flushing volume: 5.0L 大档水量: 5.0L Half flushing volume: 3.0L 小档水量: 3.0L
	K-32790T-* K-32790K-PNE	Full flushing volume: 4.5L 大档水量: 4.5L Half flushing volume: 3.0L 小档水量: 3.0L
	K-32792R-PNE	Full flushing volume: 4.0L 大档水量: 4.0L Half flushing volume: 2.6L 小档水量: 2.6L
Water Supply 供水条件	Min water supply: 0.02MPa (dynamic pressure) Max water supply: 0.74MPa (static pressure) 最低供水条件: 0.02MPa (动压) 最高供水条件: 0.74MPa (静压)	
Temperature 使用温度	Environmental temperature: 1°C ~55°C, 环境温度: 1°C ~55°C, Water temperature: 1°C ~45°C 水温: 1°C ~45°C	

When the difference between air temperature and water temperature is large, it is recommended to apply waterproof treatment around the water tank and the bottom wall.  
 环境温度和水温相差较大时, 建议水箱周围及底部墙体做防水处理。

**Note:** -\* is the code for wall-hung or wall-faced toilet series that in-wall tank can match with, which may represent VL.  
**注:** -\* 为入墙水箱可匹配的挂墙马桶或落地马桶产品系列代码, 有 VL 等系列。

# RECOMMENDED TOOLS AND MATERIALS

# 所需工具及材料

- Open end/adjustable wrenches
- Spirit level
- 开口 / 活动扳手
- 水平尺
- Hex-head wrench
- Screw driver
- 十字螺丝刀
- Knife
- Insulation tape
- 绝缘胶布
- File
- Tape measure
- 卷尺
- Hacksaw
- Seal tape
- 生料带
- Churn drilling
- Bushing
- 电工套管
- Lubricant
- 润滑油

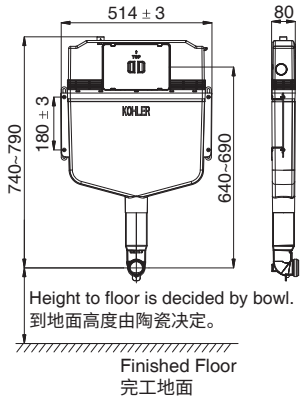
# ROUGHING-IN

# 尺寸图

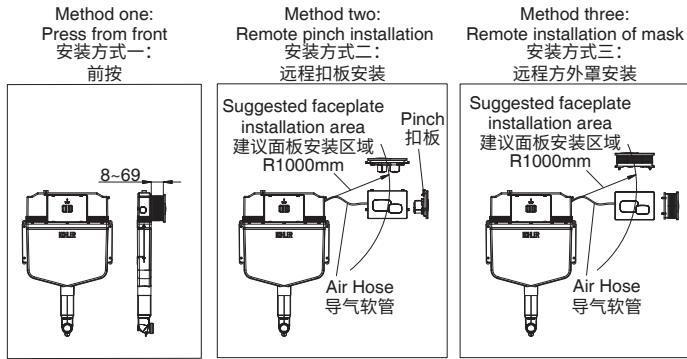
Reference Value  
参考值

## K-32790T-\*/K-32790K-PNE/K-32616MY-PNE/K-32792R-PNE

UNIT: mm  
单位: 毫米

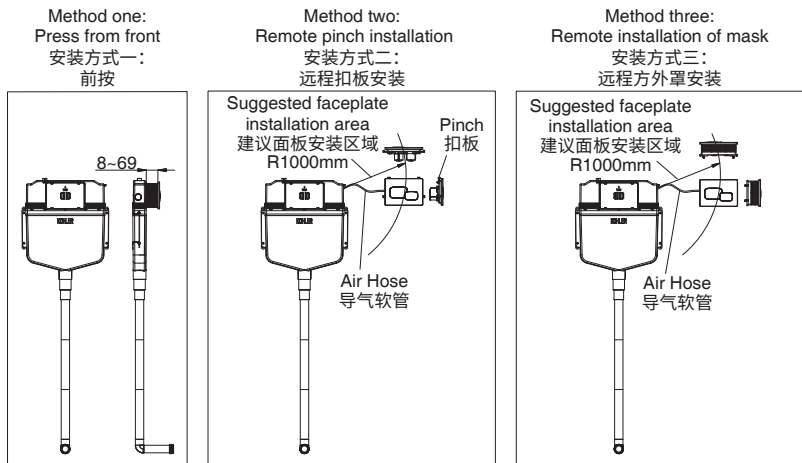
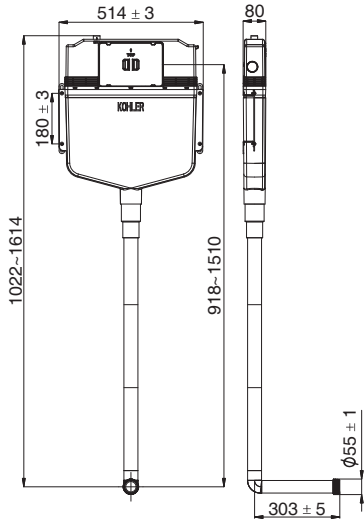


Installation with faceplate K-20341T-PNE  
与气动面板 K-20341T-PNE 安装



## K-32787T/K-29956T

Installation with faceplate K-20341T-PNE  
与气动面板 K-20341T-PNE 安装

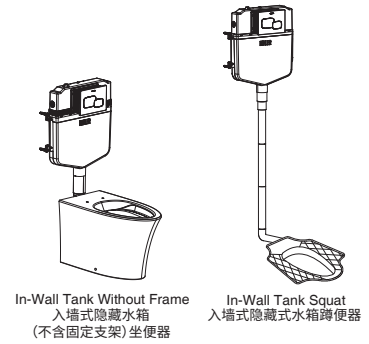


INSTALLATION METHODS

安装方式

There are three methods to install this product: In-Wall Tank with frame, In-Wall Tank without frame & In-Wall Tank squat.

本产品具有二种安装方式：入墙式隐藏水箱（不含固定支架）坐便器、入墙式隐藏水箱蹲便器。



First method: Installation for In-Wall Tank without frame

安装方式一：无框架入墙式隐藏水箱坐便器安装

1A. Installation of In-Wall Tank

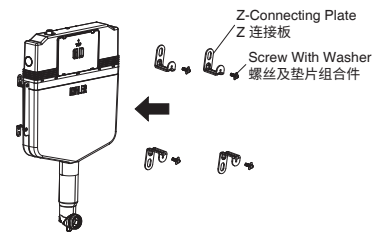
1A. 隐藏水箱安装

1. Install Z-connecting plate onto tank

1. Z 连接板安装

Fasten screw with washer to fixate Z-connecting plate onto tank.

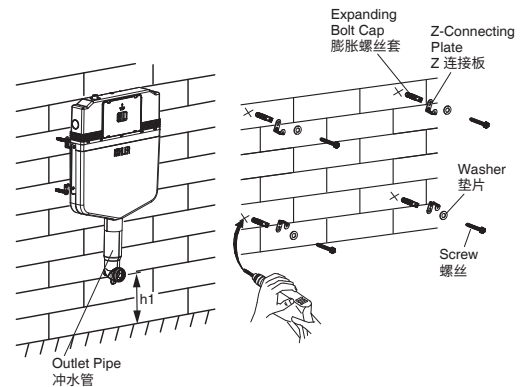
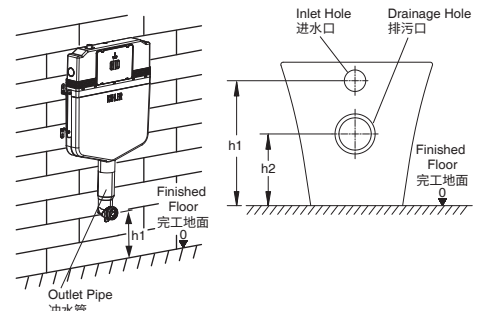
用螺丝及垫片组合件将 Z 连接板固定在水箱上。



2. Install tank onto the wall

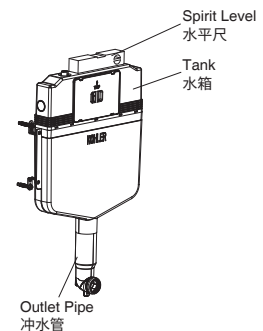
2. 固定水箱

- A. Check the height of h1 inlet hole and h2 drainage hole according to the dimensions of the bowl.
- A. 如图首先根据坐便器的进水口 h1 和排污口高度 h2 确定水箱进水口的高度 h1 和排污管的高度 h2。
- B. Align the tank on the wall as shown and locate the installation holes of Z-connecting plate. Mark on the wall for appropriate position for the Z-connecting plate, and drill four holes with a diameter of 12mm and a depth of 65mm with churn drilling as shown in illustration, and fill in the holes with expanding bolt caps.
- B. 水箱靠在墙上，在墙壁上把 Z 连接板安装孔做记号后，用冲击钻钻四个  $\Phi$  12mm 深 65mm 的小孔，然后安装膨胀螺丝套。
- C. As shown, tighten the screw and washer to fixate the tank.
- C. 如图用 4 颗螺丝及垫片将水箱固定。



- Note:**
- 1. Following the steps: **1B. Discharge pipe installation method** before fixating the tank.
  - 2. Ensure that the tank remains level and plumb.
  - 3. Keep the outlet pipe of the water tank upright. Do not bend it.
  - 4. If necessary, the front and rear walls of the discharge pipe need to be partially cut away to install the discharge pipe.

- 注:**
- 1. 水箱固定前排污管安装步骤 **1B: 排污管安装方法**。
  - 2. 水箱保持水平和竖直方向。
  - 3. 保持水箱冲水管的竖直，不要折弯。
  - 4. 必要时，排污管前后墙体需要局部切割避位以安装排污管。



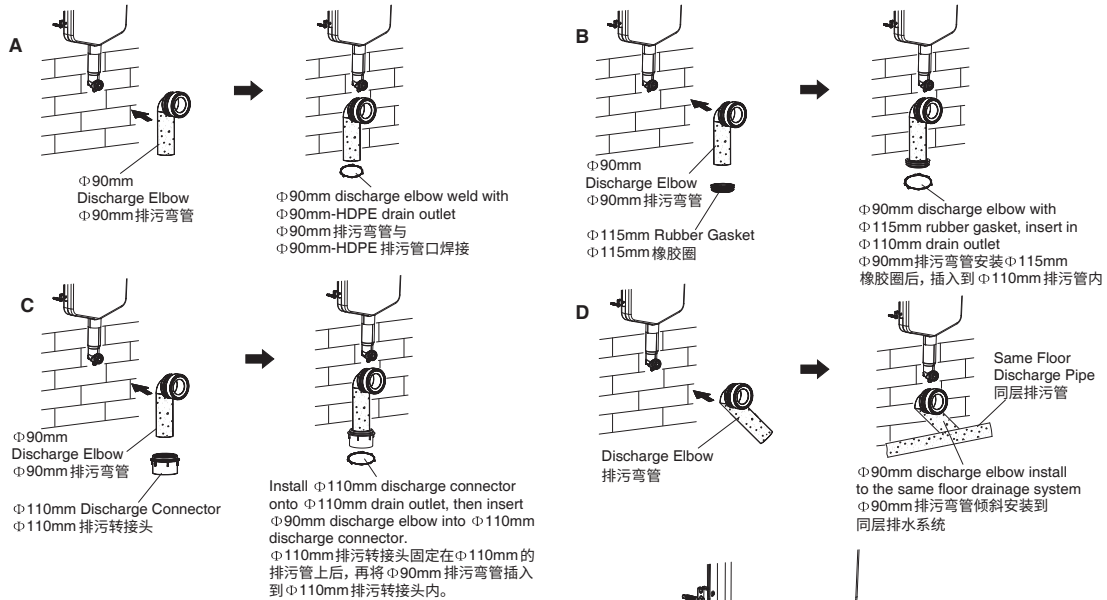
## 1B. Discharge pipe installation method 1B. 排污管安装方法

### One. Floor discharge installation method 一. 地排安装方法

Four discharge elbow installation methods based on actual situations: A, B, C, D. Snap discharge elbow lower end into discharge port.  
首先根据实际情况有四种排污弯管安装方法：A, B, C, D。最后再把排污弯管的下端装进排污口。

**Note:**  $\Phi 90\text{mm}$  and  $\Phi 110\text{mm}$  in the figure refer to the outer diameter of the pipe.

**注:** 图中  $\Phi 90\text{mm}$ 、 $\Phi 110\text{mm}$  均是指管道外径尺寸。



### Two. Installation of p-trap 二. 横排安装方法

First of all, there are two discharge pipe installation methods based on actual situations: A, B.

首先根据实际情况有 A、B 两种排污管安装方法。

A. Install  $\Phi 110\text{mm}$  discharge connector onto  $\Phi 110\text{mm}$  drain outlet on the wall.

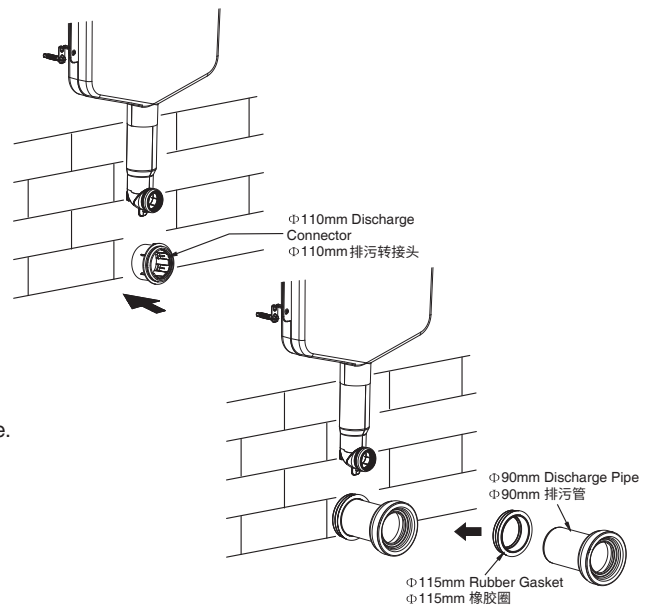
A. 将  $\Phi 110\text{mm}$  排污转接头固定在墙面  $\Phi 110\text{mm}$  排污口上。

B. Fixate  $\Phi 115\text{mm}$  rubber gasket onto  $\Phi 90\text{mm}$  discharge pipe, and then insert into  $\Phi 110\text{mm}$  drainage pipe.

B.  $\Phi 90\text{mm}$  排污管安装  $\Phi 115\text{mm}$  橡胶圈后, 插入到  $\Phi 110\text{mm}$  排污管内。

**Note:**  $\Phi 90\text{mm}$  and  $\Phi 110\text{mm}$  in the figure refer to the outer diameter of the pipe.

**注:** 图中  $\Phi 90\text{mm}$ 、 $\Phi 110\text{mm}$  均是指管道外径尺寸。



### 1C. Connecting the water pipe 1C. 供水管连接

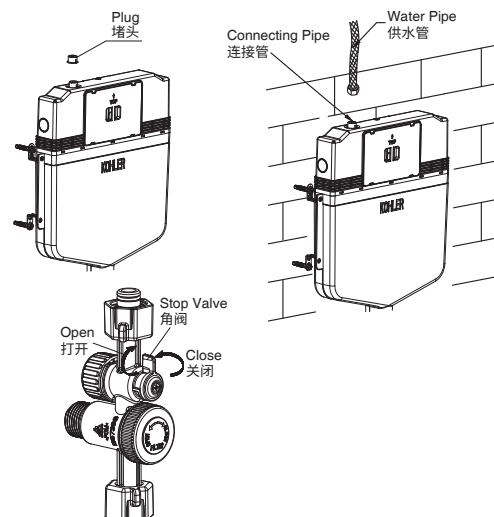
Remove the plug, connect the water pipe on the top of water tank for water supply as shown.

- Note:**
1. Suggestion: flush the water pipe. Ensure water is clean, no residual sand stone or fouling inside the pipe.
  2. Water pipe may be a flexible hose or hard pipe.
  3. Suggestion: Close the stop valve of the In-Wall Tank after checking for leakage, and open it before faceplate installation.

如图所示取下堵头后将供水管装在水箱顶部连接管上供水。

**注:** 1. 建议在连接供水前, 冲洗供水管道, 确保管路中的水干净, 管道内无沙石、污垢等。

2. 供水管可以是软管或者硬管。
3. 建议检查管路密封性后, 关闭角阀, 安装面板前再打开角阀。



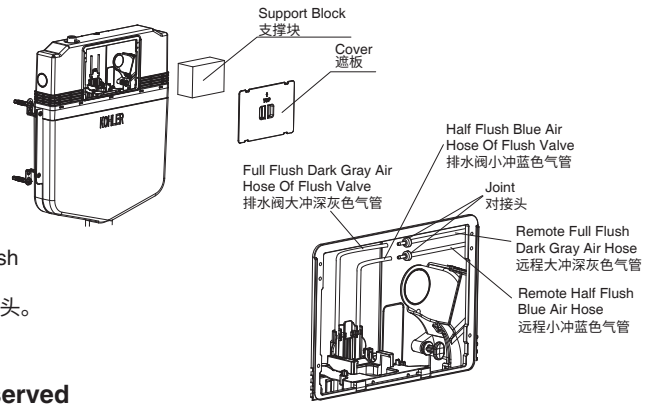
# 1D. Installations of reserved access panel

## 1D. 预留检修口安装

### Before Installation

#### 安装之前

- Remove the cover inside the water tank first as shown. Then remove the support block above the bracket assembly.
- Connect the full-flush dark gray and the half-flush blue air hose of the flush valve to the joint of remote air hose.
- Fixate the cover onto the tank.
- 水箱遮板装回水箱。



According to demand, there are different installations of reserved access panel as below.

根据使用需求, 预留检修口有如下安装方式:

### One. Normal pneumatic faceplate reserved access panel installation

#### Faceplate No.:

#### 一. 常规气动面板预留检修口安装方式

面板编号:

K-20341T-PNE	K-75890T-PNE	K-24149T	K-24151T	K-23055T-PNE
K-6283T-PNE	K-22525T-PNE	K-75891T-PNE	K-32340T-PNE	

There are three methods to install the reserved access panel:

- Method one: Press from front (Mask is reserved access panel)
- Method two: Remote pinch installation: fixate four pinches with screws (Reserve access panel at front of cover)
- Method three: Remote installation of mask (Reserve access panel at front of cover)

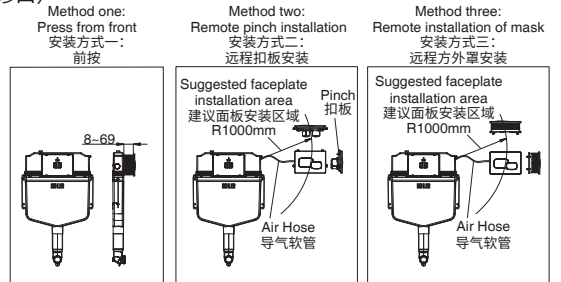
首先根据使用需求, 预留检修口有三种安装方式:

- Method one: 前按 (方外罩为预留检修口)
- Method two: 远程扣板安装: 四个扣板通过螺丝固定 (需在水箱遮板位置处预留相应大小的检修口)
- Method three: 远程方外罩安装 (需在水箱遮板位置处预留相应大小的检修口)

The following faceplates are only suitable for method two: Remote pinch installation

以下面板只适合安装方式二: 远程扣板安装

- \*K-23055T-PNE
- \*K-6283T-PNE
- \*K-22525T-PNE
- \*K-31881T faceplate has its special accessory, and need to purchase separately 1586949 mask assembly.
- \*K-31881T 面板专配另购 1586949 方外罩



### 1. Method one: Press from front (Mask is reserved access panel)

#### 1. 安装方式一: 前按 (方外罩为预留检修口)

Remove the cover, install the mask in the block screen of the tank, and tighten the screw to fixate the mask to the tank.

**Note:** Do not remove and discard the mask cover before installation of the water tank faceplate. Foreign matters and dusts should be prevented from entering the water tank during construction.

将遮板取下, 将方外罩装在水箱上原遮板的位置, 并拧紧螺丝使方外罩紧固在水箱上。

**注:** 方外罩遮板, 安装水箱面板前请勿移除和废弃。避免施工过程中异物及灰尘进入水箱。

### 2. Methods two and three: Remote installation (Reserve access panel at front of cover)

#### 2. 安装方式二和三: 远程安装 (需在水箱遮板位置处预留相应大小的检修口)

#### A. Remote hose installation

##### A. 远程气管安装

Put remote hose through the tube (Customer prepare), reach to the faceplate location. 将外置远程气管穿过穿线管 (客户准备), 引到面板的安装位置。

#### B. Gap for remote installation

##### B. 远程安装避位

#### Method two: Remote pinch installation

##### 安装方式二: 远程扣板安装

Reserve 60~80mm gap on the wall. 7~20mm thickness is recommended to fixate pinch. Recommended installation hole size of L X W mm and the depth reserved of pinch 15~25mm on the back of finished wall to fixate pinch are as follows:

墙面预留 60~80mm 深的避位, 扣板安装厚度建议 7~20mm, 扣板安装的建议安装孔 L X W (mm), 完工墙内侧预留扣板安装深度 15~25mm, 见如下三种尺寸及适配面板型号:

- LXW: 201<sup>+2</sup> X 136<sup>+2</sup> mm: K-20341T-PNE K-24149T K-75891T-PNE
- K-75890T-PNE K-24151T K-32340T-PNE

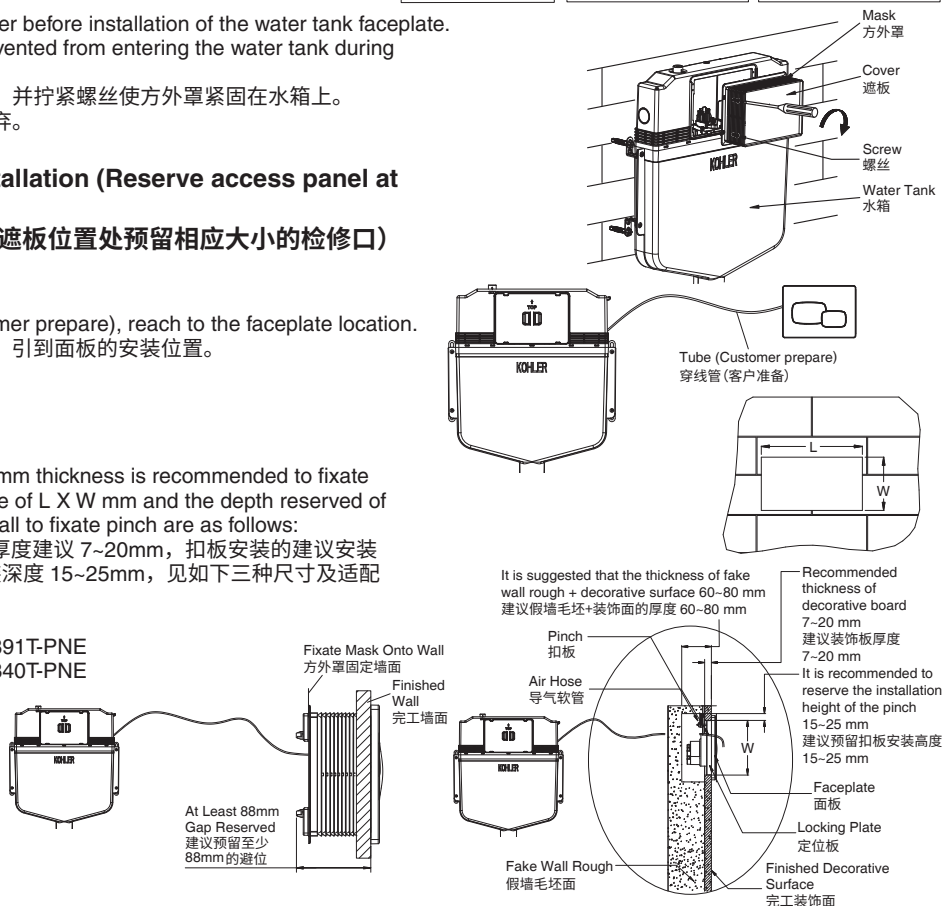
- LXW: 146<sup>+2</sup> X 41<sup>+2</sup> mm: K-23055T-PNE

- LXW: 297<sup>+2</sup> X 157<sup>+2</sup> mm: K-6283T-PNE K-22525T-PNE

#### Method Three: Remote installation of mask

Leave a gap of at least 88mm.

**安装方式三: 远程方外罩安装**  
墙面至少预留 88mm 深的避位



## Two. Intelligent faceplate and Mechanical faceplate reserved access panel installation, method one: press from front only

### Faceplate No.:

### 二. 智能面板和机械面板预留检修口安装方式, 仅有前按安装方式

#### 机械面板编号:

K-4177T

K-20341T

K-75891T

K-8857T

K-75890T

K-77271T

#### 智能面板编号:

K-23056T

K-24147T-7

K-23056TW

K-78041-7

Remove the cover, install the mask in the block screen of the tank, and tighten the screw to fixate the mask to the tank.

**Note:** Do not remove and discard the mask cover before installation of the water tank faceplate.

Foreign matters and dusts should be prevented from entering the water tank during construction.

将遮板取下, 将方外罩装在水箱上原遮板的位置, 并拧紧螺丝使方外罩固定在水箱上。

**注:** 方外罩遮板, 安装水箱面板前请勿移除和废弃。避免施工过程中异物及灰尘进入水箱。

**Note:** For intelligent faceplate, install the transform.

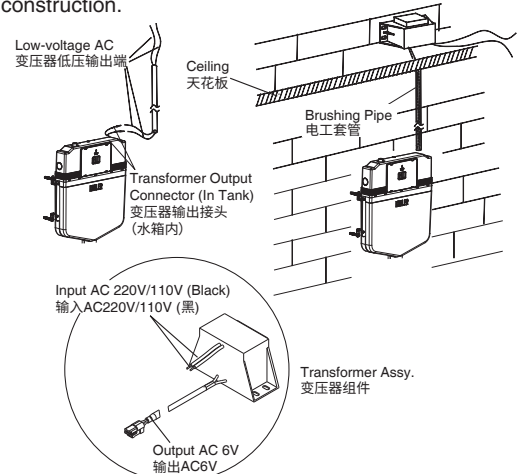
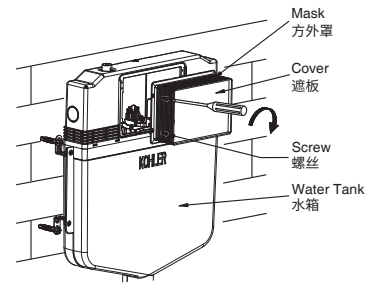
**注:** 智能面板, 需先安装变压器。

Fixate the transformer onto the wall, as illustrated, the output terminal of transformer (with 2 core female connector) through the tube (suggestion: tube inner dia.  $\Phi 16 \sim \Phi 20$ ) into tank. Connect the input terminal of transformer (black) with power supply 220V/110V AC. Customer can use a PVC pipe for wiring.

**Warning:** Don't mistake the input and output terminals, or it may cause damage to the product. Insulation measures must be taken at the connection. Otherwise, short-circuit current may occur and damage the transformer.

将变压器固定在墙上, 按照图所示走线, 将变压器输出端 (带 2 芯母端子) 穿过电工套管 (建议内径:  $\Phi 16 \sim \Phi 20$ ) 到水箱内。电工套管如图所示固定后, 变压器的高压输入端 (黑线) 接 AC220V/110V 交流电。

**警告:** 请勿接错变压器的输入输出端, 否则可能损坏。接线处做好绝缘措施, 否则可能存在短路, 引起变压器损坏。



## 1E. Building of the wall

### 1E. 砌墙

#### 1. Protection of inlet hole and drainage hole

##### 1. 进、排水口防护

Cover the drainage hole with the big cap, cover the inlet hole with the small cap.

将大防污盖装在排污口上, 小防污盖装在进水口上。

#### 2. Building wall thickness, follow: 1D Installations of reserved access panel

##### 2. 施工假墙厚度, 按照步骤 1D: 预留检修口安装

A. Press from front: Building wall thickness 8~69mm from the front of tank.

A. 前按: 假墙厚度距水箱正面 8~69mm。

B. Remote installation: Building wall thickness follow: 1D Installations of reserved access panel, remote installation part of normal pneumatic faceplate reserved access panel.

B. 远程安装: 假墙厚度见 1D: 预留检修口安装, 常规气动面板预留检修口的远程安装部分。

#### 3. After finishing the building of the wall, remove protection of inlet hole and drainage hole

##### 3. 砌墙后, 取出进、排水口防护

After finishing the building of the wall, take out the big and small caps, and eliminate unwanted mask with a sharp knife, if there is mask.

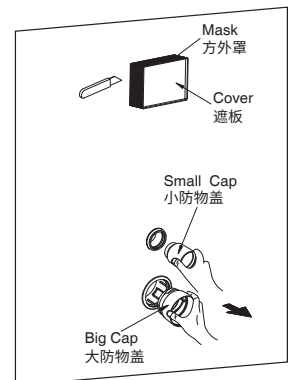
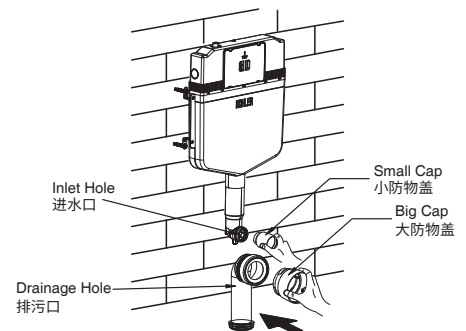
**Note:** 1. Reserve access panel at front of the tank in remote installation.

2. Do not remove and discard the mask cover before installation of the water tank faceplate. Foreign matters and dusts should be prevented from entering the water tank during construction.

如图砌完墙后, 将大、小防污盖取出, 然后根据需要, 有方外罩时用水口刀把方外罩多余的长度锯掉。

**注:** 1. 远程安装时, 水箱的前方预留检修口。

2. 方外罩遮板, 安装水箱面板前请勿移除和废弃。避免施工过程中异物及灰尘进入水箱。



## 1F. Installation of wall-faced toilet

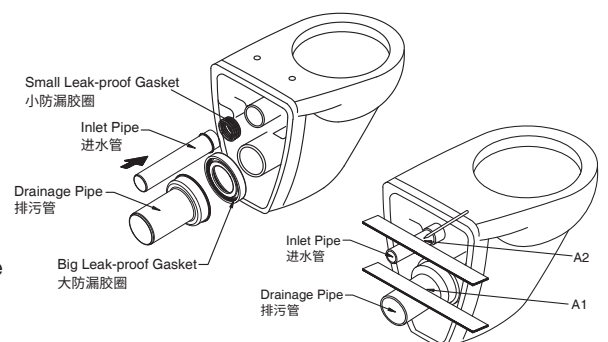
### 1F. 落地坐便器安装

1. Install the big and small leak-proof gaskets on the inlet pipe and drainage pipe, and then install them to the corresponding pipes on the toilet.

1. 如图将坐便器的排污管、进水管装上大、小防漏胶圈, 然后装在坐便器的相对应管道。

2. As shown, mark A1, A2 on the drainage pipe and the inlet pipe at the back side of the toilet with a ruler and a pencil.

2. 按图用直尺放在坐便器后面的排污管、进水管用铅笔做标记线 A1、A2。



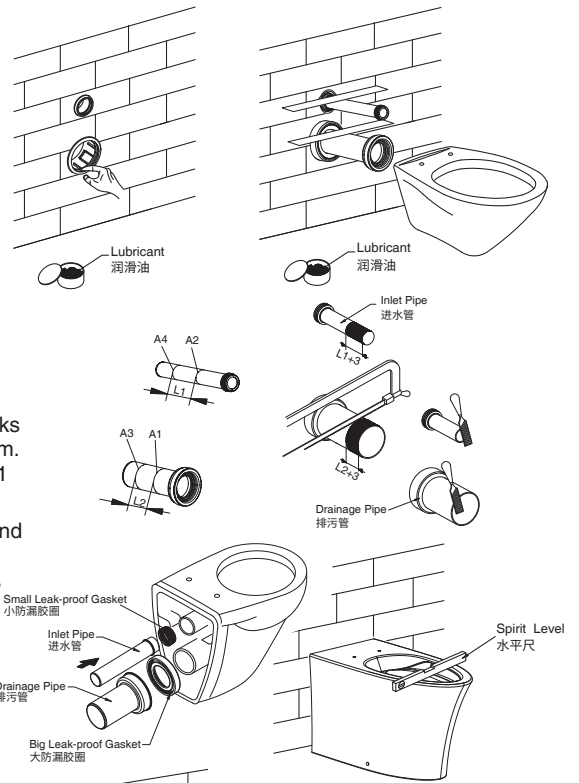
3. Apply lubricant to the drainage pipe and inlet pipe to ensure smooth installation.
3. 排污头及进水口上涂润滑油，使排污管、进水管安装顺畅。

4. Install the drainage pipe and inlet pipe to the corresponding pipes on the tank.  
Mark A3, A4 on the drainage pipe and the inlet pipe at the back side of the wall with a ruler and a pencil.
4. 如图将坐便器的排污管、进水管装入水箱的相对应管道。用直尺放在安装墙面后面的排污管、进水管用铅笔做标记线 A3、A4。
5. Eliminate unwanted part of the drainage pipe and the inlet pipe according to the marks of reserved space L2+3, L1+3, and rasp a smooth surface with files.
5. 如图在排污管、进水管已作标记的后端多余部分 L2+3, L1+3 锯掉。然后再用锉刀将锯掉的面挫平整并倒角。

**Note:** According to step 4, re-install the cut drainage pipe and inlet pipe into the corresponding pipes of the tank. Confirm that the overlap deviation between marks A3 and A1 is less than 3mm and that between marks A4 and A2 is less than 3mm.

**注:** 将裁切后的排污管、进水管，按步骤 4，重新装入水箱的相应管道内，核查 A3 与 A1 线重合偏差小于 3mm，A4 与 A2 线重合偏差小于 3mm。

6. Install the big and small leak-proof gaskets on the inlet pipe and the drainage pipe, and then install them to the corresponding pipes on the toilet.
6. 如图将坐便器的排污管、进水管装上大、小防漏胶圈，然后装在坐便器的相对应管道。
7. Install the toilet as shown in the illustration, and use a spirit level to ensure the toilet remains level.
7. 如图将坐便器装上，并用水平尺测量坐便器是否平衡。



## 1G. Installation of faceplate

### 1G. 面板安装

Follow up the installation instructions of faceplate  
依照面板说明书安装面板

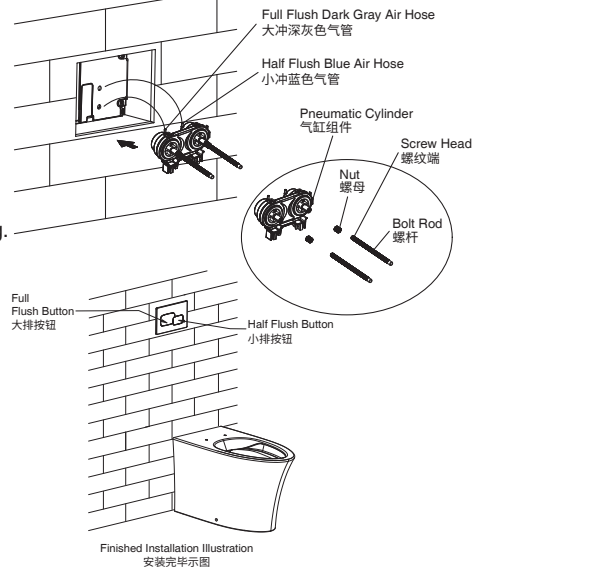
**Note:** For Mechanical faceplate, Installing the pneumatic cylinder  
(Packed in mask box)

**注:** 机械面板，需先安装气缸组件（方外罩包装盒内）  
As shown, connect the full-flush dark gray and the half-flush blue air hose to pneumatic cylinder, install bolt rod and nut to pneumatic cylinder, then install to the bracket of tank.

**Note:** 1. M8 Bolt Rod, cut from the screw head if needed. Remove burrs after cutting.  
2. Cut the excessive parts of the air hose if necessary, make the air hose smoothly.

如图将水箱的大冲深灰色和小冲蓝色气管连接到气缸组件，安装螺杆及螺母到气缸组件后，将组件装入水箱支架内。

**注:** 1. M8 螺杆，如需要切短，切割从螺纹端开始，切割完后去毛刺。  
2. 根据实际情况将导气软管的多余部分切除，并理顺导气软管。



## 1H. After installation, the water supply and electricity can be connected and used

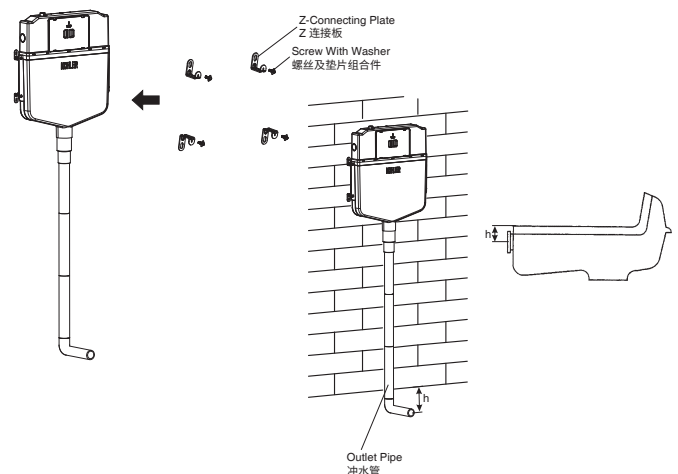
### 1H. 安装完毕，可以通水或者通电使用

## Second method: Installation for In-Wall Tank squat 安装方式二：入墙式隐藏水箱蹲便器安装

### 2A. Installation of In-Wall Tank 2A. 隐藏水箱安装

#### 1. Install Z-connecting plate onto tank 1. Z 连接板安装

Fasten the screw with washer to fixate the Z-connecting plate onto tank.  
用螺丝及垫片组合件将 Z 连接板固定在水箱上。

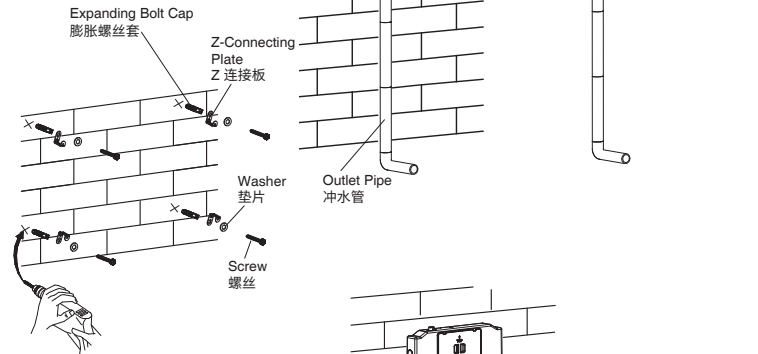


## 2. Install tank onto the wall

### 2. 固定水箱

- Make sure height of h inlet hole according to dimensions of squat.
- 如图首先根据蹲便器的尺寸确定水箱进水口的高度 h。
- Align tank on the wall as shown and locate the installation holes of the Z-connecting plate. Mark on the wall for the appropriate position for the Z-connecting plate, and drill four holes with a diameter of 12mm and a depth of 65mm with churn drilling as shown in illustration, and fill in the holes with expanding bolt caps.
- 水箱靠在墙上，在墙壁上把 Z 连接板安装孔做记号后，用冲击钻钻四个  $\Phi 12\text{mm}$  深 65mm 的小孔，然后安装膨胀螺丝套。
- As shown, tighten the screw and washer to fixate the tank.
- 如图用 4 颗螺丝及垫片将水箱固定。

- Note:** 1. Ensure that the tank remains level and plumb.  
2. Keep the outlet pipe of the water tank upright. Do not bend it.
- 注:** 1. 水箱保持水平和竖直方向的平衡。  
2. 保持水箱冲水管的竖直，不要折弯。



### 2B. Following the steps: 1C. Connecting the water pipe

#### 2B. 按照步骤：1C. 供水管连接

### 2C. Following the steps: 1D. Installation of reserved access panel

#### 2C. 按照步骤：1D. 预留检修口安装

### 2D. Installation of squat and building of the wall

#### 2D. 蹲便器安装及砌墙

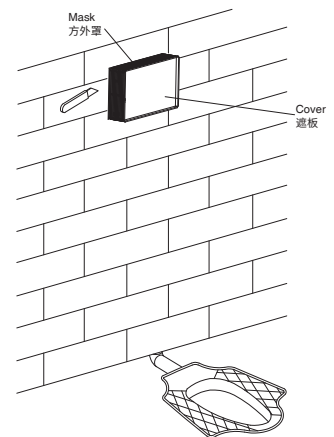
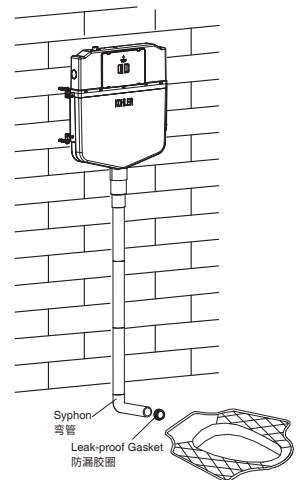
- Fixate the leak-proof gasket to syphon as shown in illustration, and adjust the syphon to the appropriate position to be fixed to the infall of squat.
 

**Note:** Eliminate unwanted syphon.

  - 如图将防漏胶圈套入弯管的端口，然后调整弯管到合适位置后装在蹲便器的进水口上。
  - 注：弯管如有多余的长度可以锯掉。
- When finishing the building of the wall, eliminate unwanted mask with a sharp knife, if there is mask.
 

**Note:** 1. Reserve access panel at front of the tank in remote installation.  
2. Do not remove and discard the mask cover before installation of the water tank faceplate.  
Foreign matters and dusts should be prevented from entering the water tank during construction.

  - 如图砌完墙后，根据需要，有方外罩时用水口刀把方外罩多余的长度锯掉。
  - 注：1. 远程安装时，水箱的前方预留检修口。  
2. 方外罩遮板，安装水箱面板前请勿移除和废弃。避免施工过程中异物及灰尘进入水箱。



### 2E. Following the steps: 1G. Installation of faceplate

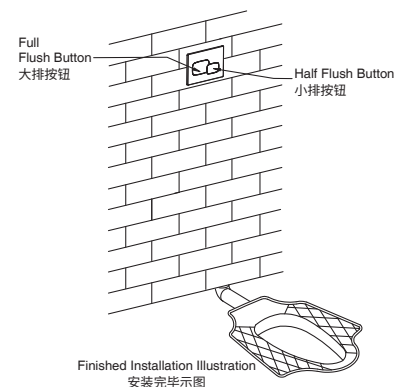
#### 2E. 按照步骤：1G. 面板安装

### 2F. After installation, the water supply and electricity can be connected and used

#### 2F. 安装完毕，可以通水或者通电使用

- Note:** 1. Reserve access panel at front of the tank in remote installation.  
2. K-29956T only matched with Single flush faceplate K-32340T-PNE

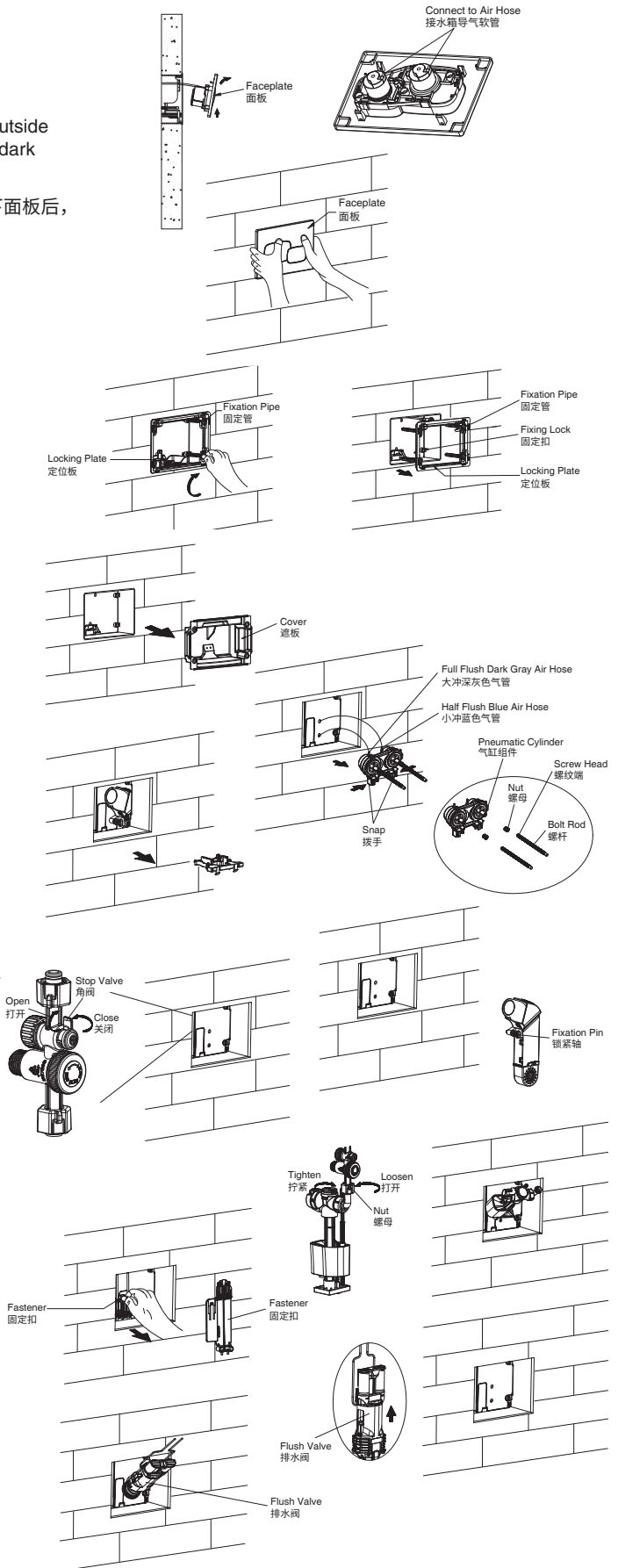
- 注:** 1. 远程安装时，水箱的前方预留检修口。  
2. K-29956T 只配单冲面板 K-32340T-PNE



A. Removal

A. 拆卸

- As shown, hold the faceplate with both hands and push upward and outside to take down the faceplate, then remove the air hoses of the full-flush dark gray and the half-flush blue. Then remove the faceplate.
- 如图拆卸面板时,用双手握住面板用力向上推,并向外松动,轻轻拆下面板后,并拆下面板上连接的水箱大冲深灰色和小冲蓝色气管。
- Pay special attention when dismantling the locking plate's four fixation pipes, all bolts shall align with the "OPEN" mark.
- 如图将定位板拆卸时注意四颗固定管要全部对准"OPEN"字样。
- Dismantle the locking plate.
- 如图拆出定位板。
- If a cover is installed, remove the cover according to the figure.
- 如有安装遮板,按图取下遮板。
- As shown if there is pneumatic cylinder, hold the left and right snaps along the arrow direction to dismantle the pneumatic cylinder, remove the air hose of the full-flush dark gray and the half-flush blue. Dismantle the nut and bolt rod.
- 如有安装气缸组件,按照左右箭头方向拨动左右拨手,取出气缸组件,再拆下安装在气缸组件上的大冲深灰色和小冲蓝色气管,拆卸螺杆及螺母。
- Dismantle supporting bracket.
- 如图取出支架。
- Pull the fixation pin of the toilet detergent box to take the box out.
- 如图提拉洁厕剂盒的锁紧轴,取出洁厕剂盒。
- Open/close the water supply  
Rotate the stop valve switch to open/close the water supply as shown.
- 打开或关闭水源  
如图旋转角阀的开关可使水源打开或关闭。
- Loose nut as shown, then take the water inlet valve out.
- 如图把螺母旋松,然后取出进水阀。
- Hold the fastener by hand as shown, pull the top of fastener along the direction of the arrow. Then remove the fastener.
- 如图用手握住固定扣的上端向箭头方向拨动,然后取出固定扣。
- Pull discharge valve along the arrow direction as shown to remove flush valve.
- 如图将排水阀按照箭头方向,可使排水阀取出。



## B. Maintenance

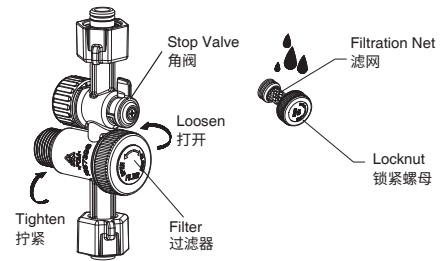
### B. 维护

#### 1. Washing the filtration net

Close the stop valve first, then loosen and take out the locknut, and rinse the waste from the filtration net with clean water, then reset the locknut to its original position.

#### 1. 清洗滤网

首先关闭角阀，如图将过滤器的锁紧螺母旋取出用清水清洗滤网泥沙，然后将锁紧螺母装回原位锁紧即可。

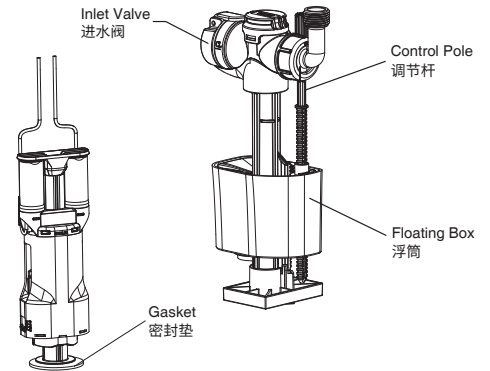


#### 2. Adjusting the inlet valve

Hoist and reduce the water level in the tank by adjusting the control pole. Turn the control pole counterclockwise to lower the floating box and reduce the water level of the tank. Turn the control pole clockwise to raise the floating box and increase the water level in the tank.

#### 2. 进水阀的调校

如图调校调节杆可以使水箱水位升高或降低。当逆时针旋转调节杆时，浮筒下降，水箱水位就低。顺时针旋转调节杆使浮筒上升，水箱水位高。



#### 3. Cleaning the flush valve

Clean the waste on the flush valve especially on the gasket with clean water.

#### 3. 排水阀清洁

用清水清洗排水阀尤其是密封垫上的脏污。

## TROUBLE SHOOTING PROCEDURES

## 故障排除

Symptoms	Probable Causes	Recommended Actions
No water fills in via inlet valve	The inlet valve is closed.	Open inlet valve.
	Floating box of inlet valve is blocked by other parts.	Readjust the position of other parts to avoid contacting the floating box when it is functioning.
	Floating box of inlet valve is blocked by waste.	Wash the floating box with clean water.
No drainage when pressing the full-flush and the half-flush button	The air hose and faceplate are wrongly installed.	Reinstall the air hose.
	Mechanical faceplate, the bolt rod of pneumatic cylinder is not properly adjusted.	Readjust the bolt rod of pneumatic cylinder.
Too high or too low water level	The floating box of the inlet valve is not properly adjusted.	Readjust the water level.
Leak of the toilet and squat	The floating box of the inlet valve is blocked by waste, so the water is leaking from the overflow pipe.	Readjust the position of other parts to avoid contacting the floating box when it is functioning.
	The rubber gasket is blocked by wastes.	Take out the outlet valve and clean the wastes.
Toilet does not flush	A. No water supply. B. The water supply stop valve is closed.	A. Wait for restoration of water supply. B. Open the water supply stop valve.
Toilet does not flush completely	Filter screen is clogged.	Refer to "Washing the filtration net".

现象	原因	排除方法
进水阀不进水	进水角阀没有打开。	把进水角阀打开。
	进水阀的浮筒被其他零件挡住。	调整其他零件切勿与浮筒工作时位置接触。
	进水阀的浮筒被杂物粘住。	用水清洗干净浮筒。
按下大、小排按钮时不排水	导气软管与面板安装错误。	重新安装导气软管。
	机械面板、气缸组件的螺杆伸出长度没有调整好。	重新调整气缸组件的螺杆伸出长度。
水位太高或太低	进水阀的浮筒没有调整好。	重新调整水位。
坐便器漏水	水箱进水时进水阀的浮筒有杂物挡住，止不住水。水从排水阀溢水管漏水。	调整其他零件切勿与浮筒工作时位置接触。
	封水片有杂物。	取出排水阀清洗封水片的杂物。
坐便器不冲水	A. 停水。 B. 供水角阀关闭。	A. 等到恢复供水。 B. 打开供水角阀。
坐便器冲不干净	过滤网阻塞。	查看“清洗滤网”部分。

