

BEFORE YOU BEGIN

安装之前

NOTES

- Use these instructions for self-rimming and above-counter installations. Please follow the instructions that apply to your installation. Follow only the instructions that apply to your installation.
- You can choose between a wall-mount or countertop faucet installation, depending upon the setting and styling you desire. We recommended a wall-mount faucet.
- Observe local plumbing codes.
- Prior to installation, unpack the new lavatory and carefully inspect it for damage. Return the lavatory to its protective carton until you are ready to install it.
- All information in these instructions is based upon the latest product information available at the time of publication. Kohler China reserves the right to make changes in product characteristics, packaging, or availability at any time without notice.
- These instructions contain import care, cleaning, and warranty information please leave these instructions for the consumer.

注意

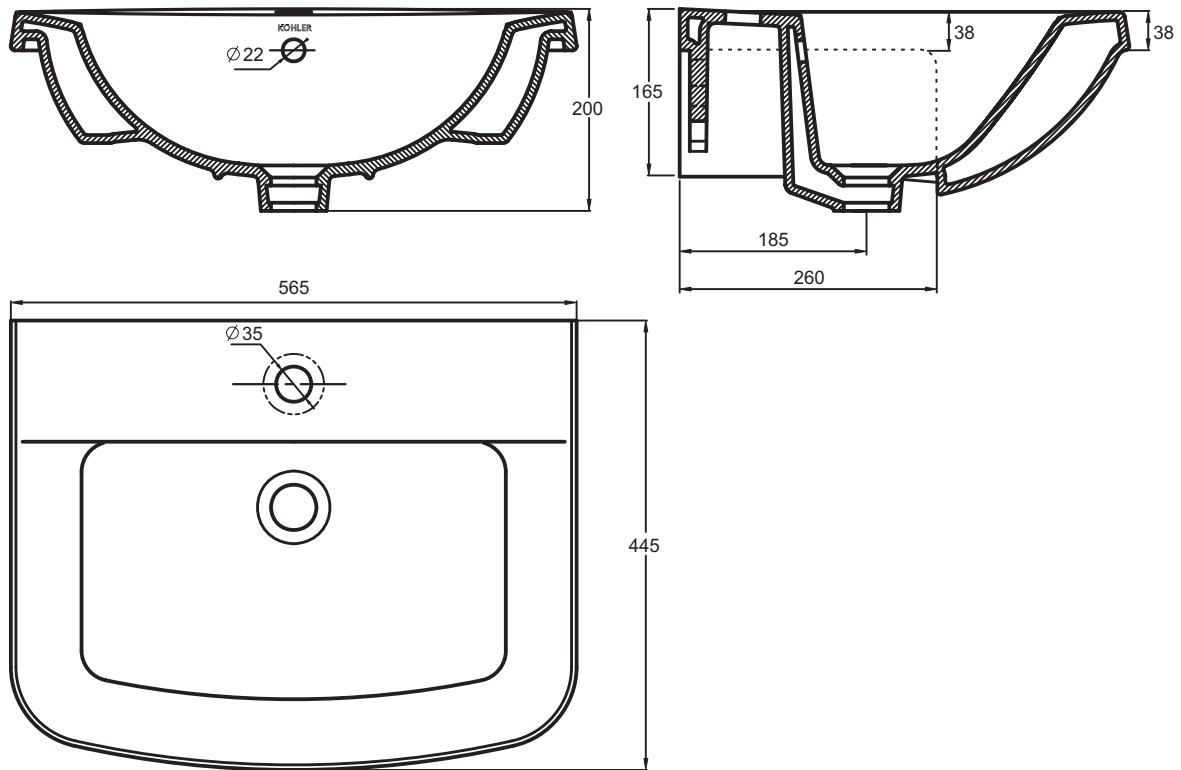
- 修边式安装脸盆可使用此说明书。请遵照适合您安装需要的说明进行。
- 根据您所需的安装地及安装风格，你可选择龙头靠墙安装或台上式安装。建议您采用靠墙式龙头。
- 留意当地所有给排水及建筑规定。
- 安装之前，先开启新脸盆的包装，并小心检查新的脸盆是否有损坏，再将脸盆放回包装盒内，到安装时才取用。
- 本说明书所含一切资料，均以印刷时所有的最新产品为准。科勒公司保留随时更改产品特性，包装或供应情况的权利，恕不另行通知。
- 此说明书包括重要的护理，清洁及保修资料请将此说明书交用户留存。

ORDERING INFORMATION

PANACHE SEMI-RECESSED BASINK-17158W
Fixing Pack.....1068174

订购信息

帕纳奇半嵌入式脸盆.....K-17158W
安装配件.....1068174



**TOOLS AND MATERIALS REQUIRED
(NOT SUPPLIED)**

- Cutout Template (supplied)
- Safety glasses
- Pencil
- Scissors
- Tape Measure
- Hole Saw
- Keyhole saw or saber saw
- Drill (1/2" dia. Drill bit, or larger)
- Screwdriver

所需工具及材料(不随货供应)

- 切割模板(已提供)
- 安全眼罩
- 炭笔
- 剪刀
- 卷尺
- 孔锯
- 匙孔锯或军刀状锯
- 电钻(直径为13mm的钻锥或更大的钻锥)
- 螺丝刀

INSTALLATION

安装

General

1. Make sure that the semi recessed basin is installed by a competent installer.
2. Before installation carefully inspect the new fixture for any signs of damage.

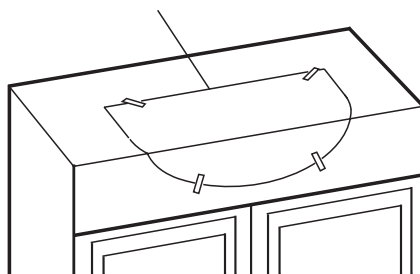
概要

1. 确保半嵌式洗脸盆由专业人士安装。
2. 安装前仔细检查新配件是否有损坏迹象。

Install the Basin

1. Secure the installation template to the counter and mark around the template with a pencil.
2. Cut a hole in the countertop or fascia as required.
3. Coat the inside of the recess with a suitable varnish in accordance with the manufacturer's instructions.
4. Install the services.

Installation Template

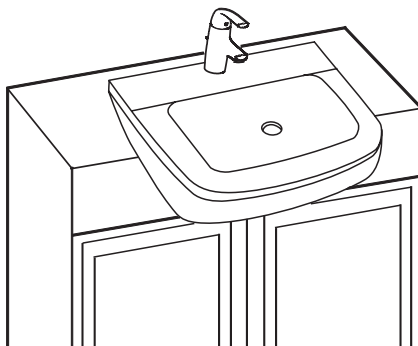


安装洗脸盆

1. 将切割图固定在工作台面上，并且铅笔画出轮廓。
2. 根据要求在工作台面上钻孔。
3. 在嵌入处内部刷上一层与制造商要求一致的清漆。
4. 安装配件。

Install the Basin

1. Fit the basin in position and mark through the position of the fixing holes.
Note! If necessary, install a support within the cabinet to drill the fixing holes into.
2. Carefully remove the basin and drill the fixing holes.
3. Fit the tap to the basin in accordance with the manufacturer's instructions.
Note! The hot and cold water supplies must be installed with isolating valves.

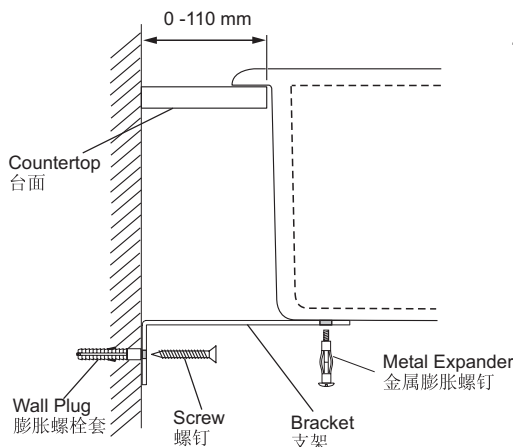


安装洗脸盆

1. 将洗脸盆安放到位，标注固定孔位置。
注意! 若有必要，安装一个支撑物在橱柜内以钻固定的小孔。
2. 小心地取下洗脸盆，钻固定孔。
3. 根据制造商要求，将龙头装到洗脸盆上。
注意! 冷热供水必须用独立的阀门安装。

Secure the Basin

4. Hold the basin in position and mark the position of the brackets. Remove the basin and drill the fixing holes with a suitable drill and fit the wall plugs. Fit the brackets in position on the wall and secure the screws. Fit the basin in position making sure that the holes in the bracket align with the holes in the bottom of the basin. Install the metal expanders to secure the basin in position. Do not overtighten.



固定洗脸盆

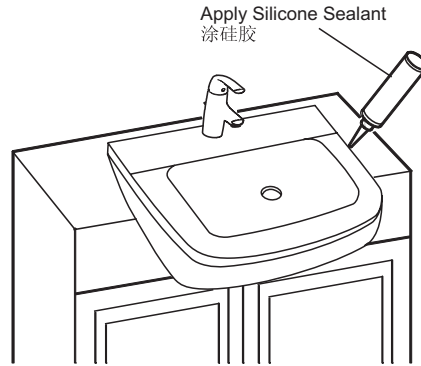
4. 将洗脸盆安放到位，标出支架的位置。取下洗脸盆，用合适的电钻钻固定孔，安装墙面膨胀管。将支架固定在墙上，拧紧螺丝。固定洗脸盆，确保支架上的孔与脸盆底部的孔对齐。安装金属膨胀管来固定洗脸盆。不要拧得过紧。

5. Apply a thin continuous bead of silicone sealant around the edges of the basin.



Caution! Make sure that you handle the basin with care. Vitreous china can break or chip if fittings are overtightened, or if the product is handled carelessly.

6. Tighten the nut to secure the basin in position.



5. 在洗脸盆四周涂上连续的细珠状硅胶。



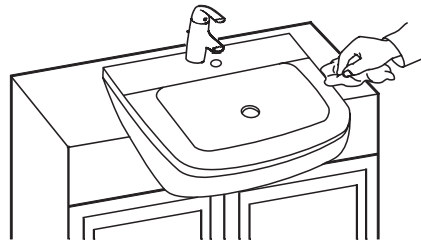
小心! 确保小心地处理洗脸盆。如果配件拧得过紧或者粗心大意, 釉面陶瓷可能破裂。

6. 拧紧螺母以固定洗脸盆。

7. Remove any excess silicone sealant and fill any voids as required.

8. Allow the silicone sealant to cure for at least 30 minutes before proceeding with the installation.

9. Securely fix the cabinet into position.



7. 若有必要, 擦掉多余的硅胶, 填补空隙。

8. 在继续安装前让硅胶干30分钟。

9. 固定橱柜。

Finish the Installation

1. Install the drain in accordance with the manufacturer's Instructions.
2. Connect the hot and cold water supplies.
3. Ensure that all the connections are tight.
4. Turn on the water supply and check for any leaks.

完成安装

1. 根据制造商说明安装落水。
2. 连接冷热供水。
3. 确保所有接头紧固。
4. 打开供水, 检查有无渗漏。

IMPORTANT CONSUMER INFORMATION

用户须知

CARE AND CLEANING

护理及清洁须知

To keep your lavatory looking new, make sure you rinse it out thoroughly after each use. DO NOT ABRASIVES on this product, as they will scratch and ruin the surface. Stubborn stains, paint, or tar can be removed with turpentine or paint thinner.

为保持脸盆光洁如新, 须确保每次使用后彻底冲洗干净, 切勿使用腐蚀性的清洁剂, 以免刮花及破坏脸盆的表面。要清除顽固污垢, 油漆或柏油, 可使用松油或油漆稀释剂。

LIMITED ONE-YEAR WARRANTY (FOR CHINA MAINLAND ONLY)

一年有限担保 (仅针对中国大陆地区)

Plumbing Fixtures and Fittings Limited One-year Warranty

Kohler plumbing fixtures and fittings are warranted to be free of manufacturing defects.

This product is warranted for one year from date of purchase. Kohler China will be responsible for any problems caused by manufacturing defects provided with the invoice. Kohler China will, at its election, repair, replace or make appropriate adjustment where Kohler China inspection discloses any such defects occurring in normal usage within one year after purchase.

Implied warranties including that of merchantability and fitness for a particular purpose are expressly limited in duration to the duration of this warranty, Kohler China disclaims any liability for special, incidental or consequential damages. Damages to the product caused by misuse, abuse and installation that is not in accordance with the owner's manual are not covered by this warranty.

To obtain quick warranty service, please contact your dealer, or write to Kohler China. (Original sales receipt must be provided as the proof of purchase.)

Kohler China Investment Company Ltd.
Central Customer Service Center
19/F, Shanghai Square, 138 Huai Hai Road,
Luwan District, Shanghai, PRC
Zip Code: 200021

This is our exclusive written warranty.

陶瓷及浴缸产品及配件担保——一年有限担保

科勒公司担保其陶瓷及浴缸产品及配件在制造工艺上无瑕疵。

本产品自购买之日起即获得本公司一年的质量保证。在质保期内，凭购货发票，科勒公司将免费承担由制造质量引起的任何问题。经核查后，科勒中国有限公司有权决定是修理、更换、还是作适当的调整。

这里所指的担保，包括产品，都已明确地限制在该担保期之内。科勒中国有限公司对其后出现的损坏不负有任何责任。担保也不包括外观损伤、使用不当以及未按说明书安装的损失。

为获得快捷的担保服务，请联系您的销售商；您也可写信给科勒中国有限公司(请出示销售发票原件作为购货凭证)：

科勒(中国)投资有限公司
中央客户服务中心
上海市卢湾区淮海中路138号
上海广场19楼
邮编：200021

这是我们全部的书面担保。

LIMITED ONE-YEAR WARRANTY (FOR ASIA, EXCLUDING CHINA MAINLAND)

Kohler plumbing fixtures and fittings are warranted to be free of manufacturing defects.

Kohler Co. will, at its election repair, replace, or make appropriate adjustment where Kohler Co. inspection discloses any such defects occurring in normal usage within one year after installation. **Kohler Co. is not responsible for installation costs.**

To obtain warranty service, contact Kohler Co. either through your Dealer or Plumbing Contractor or by writing Kohler Co., Attn: Consumer Affairs Department, Kohler, WI 53044 U.S.A.

Implied warranties, including that of merchantability and fitness for a particular purpose, are expressly limited in duration to the duration of

this warranty. To the extent permitted by law, Kohler Co. disclaims all implied warranties including merchantability and fitness for a particular purpose. Kohler Co. disclaims any liability for special, incidental, or consequential damages.

Some states do not allow limitations on how long an implied warranty lasts or the exclusion or limitation of incidental or consequential damages, so this limitation and exclusion may not apply to you. This warranty gives you specific legal rights. You may also have rights which vary from state to state.

This is our exclusive written warranty.

Kohler Co., Kohler, Wisconsin 53044