

BEFORE YOU BEGIN

Thank you... You have just purchased the best bath drain your money can buy. Kohler drains work smoothly and reliably, and keep their gleaming finishes. For easy installation, follow these step-by-step instructions.

Carefully read these instructions before you attempt to remove your old drain or install your new one. Make sure you have the proper tools and materials listed on the following page to complete the job. This will help you avoid unnecessary expense resulting from improper installation.

Your new Kohler drain has been designed for easy installation using common household tools.

安装之前

感谢您购买品质卓越的浴缸排水。科勒排水工作通畅、可靠，光洁持久。请遵循以下安装步骤，完成便捷安装。

在拆除旧排水准备安装新排水时请仔细阅读以下说明。请使用以下列出的工具和材料完成安装，以免安装失误造成不必要的损失。

只要使用普通家用工具即可安装科勒浴缸排水。

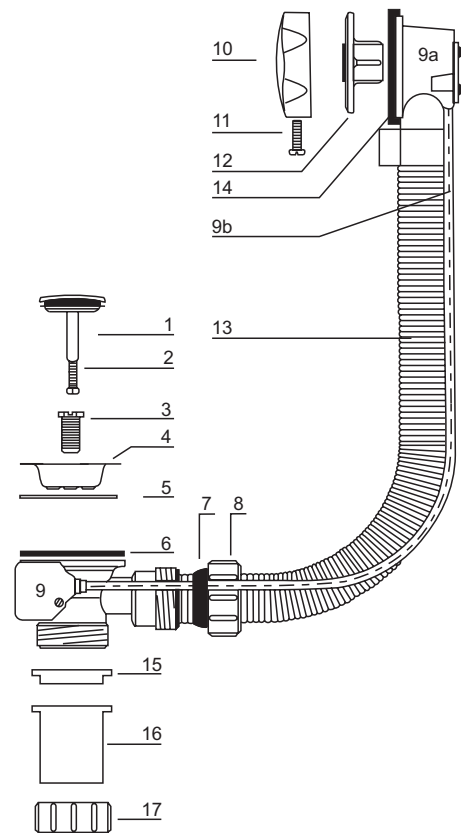
INSTALLATION

安装

- | | |
|------------------------|---------------------|
| 1...Plug body | 9b..Control Cable |
| 2...Plug | 10..Handle Assy |
| 3...Fix Screw Strainer | 11..Locking Screw |
| 4...Strainer | 12..Overflow Cover |
| 5...Drain Gasket Thin | 13..Flex Pipe |
| 6...Drain Gasket Thick | 14..Gasket Overflow |
| 7...Gasket Joint | 15..Gasket |
| 8...Joint Nut | 16..Drain Pipe |
| 9...Drain Body Assy | 17..Nut Drain Pipe |
| 9a..Over Flow Body | |

Note: Parts(9-9a and 9b) and (10 and 11)are Factory assembled

- | | |
|------------|-------------|
| 1...塞子 | 9b..控制线 |
| 2...调节螺丝 | 10..控制钮 |
| 3...中心固定螺栓 | 11..锁紧螺丝 |
| 4...滤网 | 12..溢水面板 |
| 5...橡胶密封圈 | 13..溢水软管 |
| 6...橡皮密封圈 | 14..溢水橡胶密封圈 |
| 7...压缩密封圈 | 15..密封垫片 |
| 8...压缩螺母 | 16..排水管 |
| 9...去水本体 | 17..排水管螺帽 |
| 9a..溢水头 | |



-* include: -*包括:

-CP-Polished Chrome -抛光镀铬	-AF-French Gold -法金表面	-BN-Brushed Nickel -拉丝镍
-BV-Brushed Bronze -拉丝铜	-SN-Polished Nickel -抛光镍	

Unpack drain (17295T-NA) and ensure that the Control Cable ⑨b is not twisted or awkwardly bent.
Please ensure that the bath is placed on wooden blocks or bricks to protect the waste body under the bath.

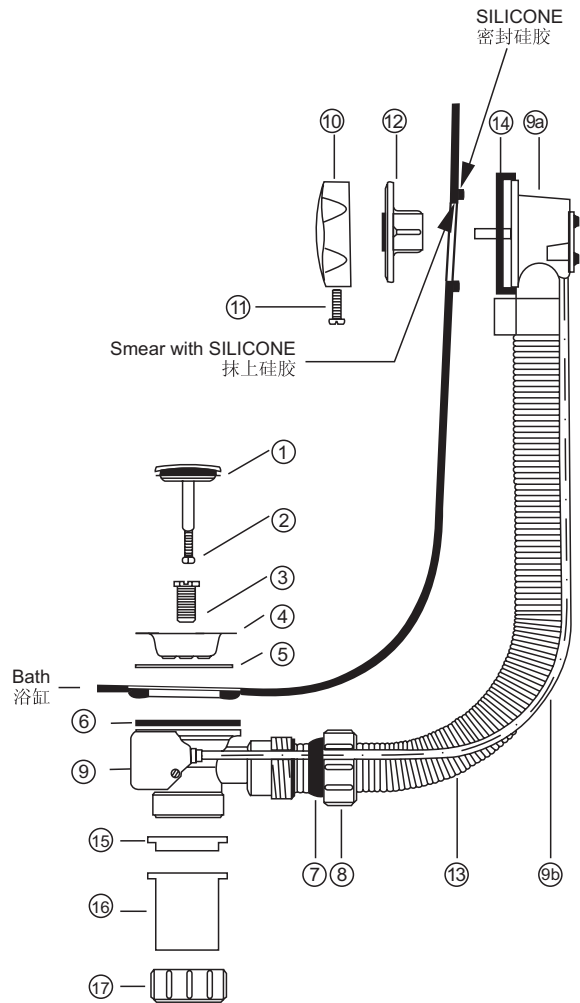
Installation steps:

- 1) Fit Drain Gasket Thin ⑤ to Strainer ④.
- 2) Insert Strainer ④ into hole in bath from upper side.
- 3) Fit Drain Gasket Thick ⑥ to Drain Body Assy ⑨ and Drain Body Assy ⑨ to underside of bath.
- 4) Strainer ④ to Drain Body Assy ⑨ by means of Fix Screw Strainer ③. **Do not tighten firmly at this stage.**
- 5) Apply a bead of silicone around the overflow hole, on the outside of the bath. Smear with silicone the inside wall of overflow hole.
- 6) Fit 2nd. Gasket Overflow ⑭ to Over Flow Body ⑨a and offer this assembly to back of overflow opening, ensuring they are centrally positioned and then screw Overflow Cover ⑫ on to central spindle. Control Cable ⑨b is not twisted before fully tightening Overflow Cover ⑫. In the event that the Control Cable is twisted or jammed, the pop-up mechanism will not operate.

打开(17295T-NA)排水包装，确保控制线 ⑨b 没有扭曲打结。
请将浴缸放置在木架或硅墙上保障排水配件在浴缸底下。

安装步骤：

- 1) 将橡胶密封圈 ⑤ 垫于去水滤网 ④ 处。
- 2) 从浴缸的上方将去水滤网 ④ 插入排水口。
- 3) 将橡皮密封圈 ⑥ 垫于去水本体 ⑨ 上并置于浴缸底部，排水口下端。
- 4) 用固定螺栓 ③ 固定滤网 ④ 和去水本体 ⑨，注意在此时不要将螺丝旋得太紧。
- 5) 从浴缸的外面朝溢水口处涂一圈密封硅胶。再在溢水口内壁处涂上硅胶。(如图)
- 6) 将另一块橡皮密封圈 ⑭ 垫于溢水头 ⑨a 上，然后放在浴缸溢水口的背面并确保它们置中放置。用螺丝将溢水面板 ⑫ 固定到中心轴上。在拧紧溢水面板 ⑫ 前请确保控制线 ⑨b 没有扭曲打结。控制线打结或扭曲会造成提拉式去水工作失灵。



- 7) Centralise Grating ④ with Waste Body ⑨ by lining up ribs of each directly in line and tighten Fixing Screw ③ with a coin or suitable screwdriver.
Do not overtighten - handtight plus 1/4 turn should be sufficient.
- 8) Adjust Plug ① by twisting Control Knob ⑩ to the 'up' position and then fix Plug height by use of Adjusting Screw ②.
- 9) Secure Flexible Pipe ⑬ by tightening Compression Nut ⑧ against Compression Seal ⑦.
- 10) Set drain pipe ⑯, put on nut drain pipe ⑰, and then tighten gasket ⑮.
Check if the pop-up mechanism is operating correctly. If it doesn't the Plug height still needs adjusting or Control Cable might be twisted or jammed. Proceed with bath installation only after you've ensured the drain is operating correctly.

- 7) 将滤网④和去水本体⑨置中排列并排成一线后用硬币或电钻来固定螺栓③。
不要过分拧紧---用手上紧后再拧紧至合适松紧。
- 8) 旋转控制钮⑩来调节塞子①到放水的位置，然后使用调节螺丝②固定塞子的高度。
- 9) 旋紧在压缩密封圈⑦后的压缩螺母⑧来调节和固定软管⑬。
- 10) 安装排水管⑯，套上排水管螺帽⑰，并垫上密封垫片⑮旋紧。
检查使用提拉式排水正常工作。
如果塞子不能够提拉到工作高度的话，需要调节控制线看它是否扭曲打结。在您检查并确认浴缸排水工作正常后才进行浴缸的下步安装。

LIMITED ONE-YEAR WARRANTY (FOR CHINA MAINLAND ONLY)

一年有限担保 (仅针对中国大陆地区)

Plumbing Fixtures and Fittings Limited One-year Warranty

Kohler plumbing fixtures and fittings are warranted to be free of manufacturing defects.

This product is warranted for one year from date of purchase. Kohler China will be responsible for any problems caused by manufacturing defects provided with the invoice. Kohler China will, at its election, repair, replace or make appropriate adjustment where Kohler China inspection discloses any such defects occurring in normal usage within one year after purchase.

Implied warranties including that of merchantability and fitness for a particular purpose are expressly limited in duration to the duration of this warranty, Kohler China disclaims any liability for special, incidental or consequential damages. Damages to the product caused by misuse, abuse and installation that is not in accordance with the owner's manual are not covered by this warranty.

To obtain quick warranty service, please contact your dealer, or write to Kohler China. (Original sales receipt must be provided as the proof of purchase.)

Kohler China Investment Company Ltd.
Central Customer Service Center
19/F, Shanghai Square, 138 Huai Hai Road,
Luwan District, Shanghai, PRC
Zip Code: 200021

This is our exclusive written warranty.

陶瓷及浴缸产品及配件担保——一年有限担保

科勒公司担保其陶瓷及浴缸产品及配件在制造工艺上无瑕疵。

本产品自购买之日起即获得本公司一年的质量保证。在质保期内，凭购货发票，科勒公司将免费承担由制造质量引起的任何问题。经核查后，科勒中国有限公司有权决定是修理、更换、还是作适当的调整。

这里所指的担保，包括产品，都已明确地限制在该担保期之内。科勒中国有限公司对其后出现的损坏不负有任何责任。担保也不包括外观损伤、使用不当以及未按说明书安装的损失。

为获得快捷的担保服务，请联系您的销售商；您也可写信给科勒中国有限公司(请出示销售发票原件作为购货凭证)：

科勒(中国)投资有限公司
中央客户服务中心
上海市卢湾区淮海中路138号
上海广场19楼
邮编：200021

这是我们全部的书面担保。

LIMITED ONE-YEAR WARRANTY (FOR ASIA, EXCLUDING CHINA MAINLAND)

Kohler plumbing fixtures and fittings are warranted to be free of manufacturing defects.

Kohler Co. will, at its election repair, replace, or make appropriate adjustment where Kohler Co. inspection discloses any such defects occurring in normal usage within one year after installation. **Kohler Co. is not responsible for installation costs.**

To obtain warranty service, contact Kohler Co. either through your Dealer or Plumbing Contractor or by writing Kohler Co., Attn: Consumer Affairs Department, Kohler, WI 53044 U.S.A.

Implied warranties, including that of merchantability and fitness for a particular purpose, are expressly limited in duration to the duration of

this warranty. To the extent permitted by law, Kohler Co. disclaims all implied warranties including merchantability and fitness for a particular purpose. Kohler Co. disclaims any liability for special, incidental, or consequential damages.

Some states do not allow limitations on how long an implied warranty lasts or the exclusion or limitation of incidental or consequential damages, so this limitation and exclusion may not apply to you. This warranty gives you specific legal rights. You may also have rights which vary from state to state.

This is our exclusive written warranty.

Kohler Co., Kohler, Wisconsin 53044