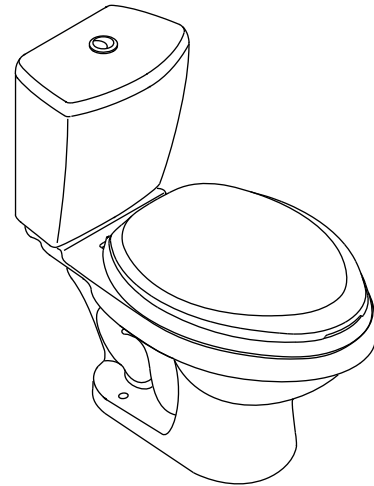


### Features

- Vitreous china
- Elongated bowl
- Includes French Curve seat
- Includes polished chrome push lever
- Dual Force flushing system
- Dual flush 3/6 liter per flush
- 305 mm rough-in for S-trap
- 51 mm glazed trapway
- 146 x 114 mm water area
- 787 x 362 x 743 mm

### TWO-PIECE TOILET WITH SEAT K-17644VN



### Codes/Standards Applicable

Specified model meets or exceeds the following:

- ASME A112.19.2/CSA B45.1
- ASME A112.19.14
- EPA WaterSense
- TIS 792-2544

### Colors/Finishes

- 0: White

### Accessories:

- 0: White
- CP: Polished Chrome

### Specified Model

Model	Description	Color/Finished
K-17644VN	Karsten two-piece toilet, S-trap, 3/6 L with French Curve seat	0: White
K-17644VN-C	Karsten two-piece toilet, S-trap, 3/6 L with French Curve quiet close seat	0: White

### Product Specification:

The elongated two-piece toilet shall be made of vitreous china. The toilet be 787 mm in length, 362 mm in width, and 743 mm in height with a 146 x 114 mm water area. Toilet shall be for 305 mm rough-in for S-trap. toilet shall have 51 mm glazed trapway. Toilet shall be dual flush 3/6 liter per flush and dual force flushing system. Toilet shall include polished chrome push button and French Curve seat. Toilet shall be Kohler Model K-17644VN - \_\_\_\_ - \_\_\_\_.

# KARSTEN

## Technical Information

Fixture:	
Configuration	two-piece, elongated
Water per flush	3/6 Liter
Passageway	51 mm
Water area	146 x 114 mm
Water depth form rim	216 mm
Seat post hole centers	140 mm

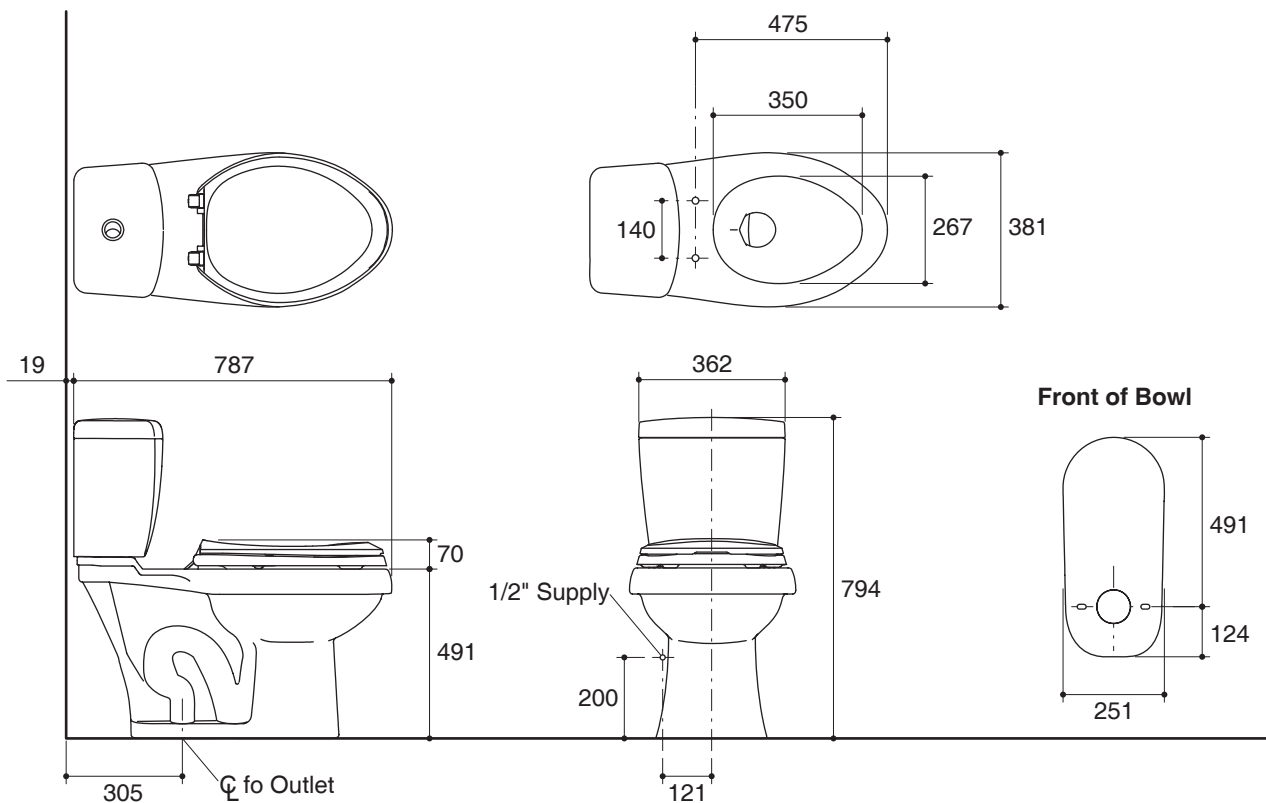
Included Components:	
Bowl	K-17646X
Tank	K-17645VN
Tank cover	1040340
French Curve seat or French Curve seat quite close seat	K-4653X or K-4713X
Push button and rod kit	GP1103553
Tank gasket	1032265
Tank bolt	51624
Gasket	51743
Washer	32572
Nut	51533
Bolt cap accessory pack	GP1013092

## Installation Notes

Install this product according to the installation guide.

Dimensions are approximate.

Unit: mm.



## Product Diagram