

BEFORE YOU BEGIN

- Please read these instructions carefully to familiarize yourself with the required tools, materials, and installation sequences. Follow the sections that pertain to your particular installation. This will help you avoid costly mistakes. In addition to proper installation, read all operating and safety instructions.
- All information in these instructions is based upon the latest product information available at the time of publication. Kohler China reserves the right to make changes in product characteristics, packaging, or availability at any time without notice.
- These instructions contain important care, cleaning, and warranty information—**please leave instructions for the consumer.**

安装之前

- 请仔细阅读说明书，熟悉所需工具、材料和安装顺序，参照相关章节完成您所需的安装，以避免昂贵的损失，除了正确的安装外，请详阅所有的操作和安全说明。
- 本说明书所含的一切资料均以印刷时所有的最新产品为准，科勒中国保留权利随时更改产品特性、包装或供应情况，恕不另行通知。
- 本说明书也包含了有关保养、清洁及产品担保等重要信息—请交予用户保存。

ORDERING INFORMATION

OVE WH Toilet(HT100 TL IWT).....	K-24719T-S2
Includes Bowl.....	K-19957T-2
Includes HYDRO-TOWER 100	
Touchless Inwall Tank.....	K-6281T-VES2
Includes OVE® Quiet-close Toilet Seat	K-17676T
OVE WH Toilet(HT100 TL IWT)	K-24719T-2
Includes Bowl.....	K-19957T-2
Includes HYDRO-TOWER 100	
Touchless Inwall Tank.....	K-6281T-VE2
Includes OVE® Toilet Seat.....	K-17671T
OVE WH Toilet(HT300 MEC IWT)	K-24720T-S2
Includes Bowl.....	K-19957T-2
Includes HYDRO-TOWER 300	
Inwall Tank with Frame	K-4178T-VES2
Includes OVE® Quiet-close Toilet Seat	K-17676T
OVE WH Toilet(HT300 MEC IWT)	K-24720T-2
Includes Bowl.....	K-19957T-2
Includes HYDRO-TOWER 300	
Inwall Tank with Frame.....	K-4178T-VE2
Includes OVE® Toilet Seat.....	K-17671T
OVE WH Toilet(HT100 MEC IWT)	K-24721T-S2
Includes Bowl.....	K-19957T-2
Includes HYDRO-TOWER 100	
In-Wall Tank with Frame	K-6284T-VES2
Includes OVE® Quiet-close Toilet Seat	K-17676T
OVE WH Toilet(HT100 MEC IWT)	K-24721T-2
Includes Bowl.....	K-19957T-2
Includes HYDRO-TOWER 100	
In-Wall Tank with Frame.....	K-6284T-VE2
Includes OVE® Toilet Seat.....	K-17671T

订购信息

欧芙挂墙式座便器(海德丽100自动感应水箱)	K-24719T-S2
含缸体.....	K-19957T-2
含海德丽100	
自动感应入墙式隐藏水箱	K-6281T-VES2
含欧芙缓降座便器盖板.....	K-17676T
欧芙挂墙式座便器(海德丽100自动感应水箱).....	K-24719T-2
含缸体.....	K-19957T-2
含海德丽100	
自动感应入墙式隐藏水箱.....	K-6281T-VE2
含欧芙座便器盖板.....	K-17671T
欧芙挂墙式座便器(海德丽300机械水箱)	K-24720T-S2
含缸体.....	K-19957T-2
含海德丽300	
入墙式隐藏水箱.....	K-4178T-VES2
含欧芙缓降座便器盖板.....	K-17676T
欧芙挂墙式座便器(海德丽300机械水箱).....	K-24720T-2
含缸体.....	K-19957T-2
含海德丽300	
入墙式隐藏水箱	K-4178T-VE2
含欧芙座便器盖板.....	K-17671T
欧芙挂墙式座便器(海德丽100机械水箱)	K-24721T-S2
含缸体.....	K-19957T-2
含海德丽100	
入墙式隐藏水箱.....	K-6284T-VES2
含欧芙缓降座便器盖板.....	K-17676T
欧芙挂墙式座便器(海德丽100机械水箱).....	K-24721T-2
含缸体.....	K-19957T-2
含海德丽100	
入墙式隐藏水箱	K-6284T-VE2
含欧芙座便器盖板.....	K-17671T

KOHLER CHINA INVESTMENT CO., LTD NO.158, JIANG CHANG SAN ROAD,
JING'AN DISTRICT, SHANGHAI, PRC POST CODE: 200436
科勒(中国)投资有限公司 上海市静安区江场三路158号 邮编: 200436

OVE WH Toilet (BEAM M FV).....K-24083T-GS2	欧芙挂墙式座便器(柏明手动冲水阀).....K-24083T-GS2
Includes BowlK-80175T-GS2	含缸体K-80175T-GS2
Includes BEAM Manual Toilet/Squat Flush Valve.....K-77682K-G	含柏明手动 冲水阀K-77682K-G
Includes OVE® Quiet-close Toilet SeatK-17676T	含欧芙缓降座便器盖板.....K-17676T
OVE WH Toilet (BEAM SR D/CP).....K-24081T-CPS2	欧芙挂墙式座便器(柏明感应器,直流)K-24081T-CPS2
Includes BowlK-24084T-DPS2	含缸体K-24084T-DPS2
Includes BEAM Toilet Sensor (DC)K-30947T-CP	含柏明感应冲洗器.....K-30947T-CP
Includes OVE® Quiet-close Toilet SeatK-17676T	含欧芙缓降座便器盖板.....K-17676T
OVE WH Toilet (BEAM SR D/BN).....K-24081T-BNS2	欧芙挂墙式座便器(柏明感应器,直流/罗曼银)...K-24081T-BNS2
Includes BowlK-24084T-DNS2	含缸体K-24084T-DNS2
Includes BEAM Toilet Sensor (DC)K-30947T-BN	含柏明感应冲洗器.....K-30947T-BN
Includes OVE® Quiet-close Toilet SeatK-17676T	含欧芙缓降座便器盖板.....K-17676T
OVE WH Toilet (BEAM SR A/CP).....K-24082T-CPS2	欧芙挂墙式座便器(柏明感应器,交流)K-24082T-CPS2
Includes BowlK-24084T-APS2	含缸体K-24084T-APS2
Includes BEAM Toilet Sensor (AC).....K-30948T-CP	含柏明感应冲洗器.....K-30948T-CP
Includes OVE® Quiet-close Toilet SeatK-17676T	含欧芙缓降座便器盖板.....K-17676T
OVE WH Toilet (BEAM SR A/BN).....K-24082T-BNS2	欧芙挂墙式座便器(柏明感应器,交流/罗曼银)...K-24082T-BNS2
Includes BowlK-24084T-ANS2	含缸体K-24084T-ANS2
Includes BEAM Toilet Sensor (AC).....K-30948T-BN	含柏明感应冲洗器.....K-30948T-BN
Includes OVE® Quiet-close Toilet SeatK-17676T	含欧芙缓降座便器盖板.....K-17676T

NOTES

- Observe all local plumbing and building codes.
- Shut off the water supply.
- For values of seat post hole centers, please refer to dimension.
- Passageways is 60mm.
- Please refer to actual for the value of water depth from rim.
- Ensure that the new drain and shut-off valve have the correct roughing-in dimensions. **See Fig.#1.**
- Be very careful while working with vitreous china products. Vitreous china can break or chip if the bolts or nuts are overtightened, or if carelessly handled.
- Carefully inspect the new bowl for any sign of damage.
- Fixture dimensions are nominal and conform to tolerances established by ASME Standards (A112.19.2-2018).
- This product complies with GB 25502-2017.
Water Efficiency Grade 2 for K-24719T-S2/K-24719T-2/K-24720T-S2/K-24720T-2/K-24721T-S2/K-24721T-2/K-24081T-CPS2/K-24081T-BNS2/K-24082T-CPS2/K-24082T-BNS2.
Water Efficiency Grade 3 for K-24083T-GS2.

注意

- 请遵守当地所有给排水及建筑规定。
- 关闭供水。
- 座便器盖板孔中心间距请参考尺寸图。
- 排污通道为60mm。
- 座便器上表面距离水面以具体实物为准。
- 确保新排污管和止水阀距尺寸正确，请参阅图1。
- 请小心处理釉面陶瓷产品，因其容易破损和崩裂，故不可把螺栓或螺母上得过紧，且须小心轻放。
- 请仔细检查座便器是否有损坏。
- 部件尺寸为标定值，误差符合美国ASME标准(A112.19.2-2018)。
- 本产品符合GB 25502-2017。
K-24719T-S2/K-24719T-2/K-24720T-S2/K-24720T-2/K-24721T-S2/K-24721T-2/K-24081T-CPS2/K-24081T-BNS2/K-24082T-CPS2/K-24082T-BNS2水效等级2级。
K-24083T-GS2水效等级3级。

TOOLS AND MATERIALS REQUIRED (Not supplied)

- 254mm adjustable wrench
- Metal file (file cut)
- Tape measure
- Tubing cutter
- Level
- Hacksaw
- Putty knife
- Screwdriver
- Straight pipe coupling
- Connection packing

所需工具及材料(不随货供应)

- 254mm活动扳钳
- 锉刀
- 卷尺
- 切管刀
- 水平尺
- 钢锯
- 涂油灰刀
- 螺丝刀
- 连接直管
- 连接组件

Reference Value
参考值

UNIT: mm
单位: 毫米

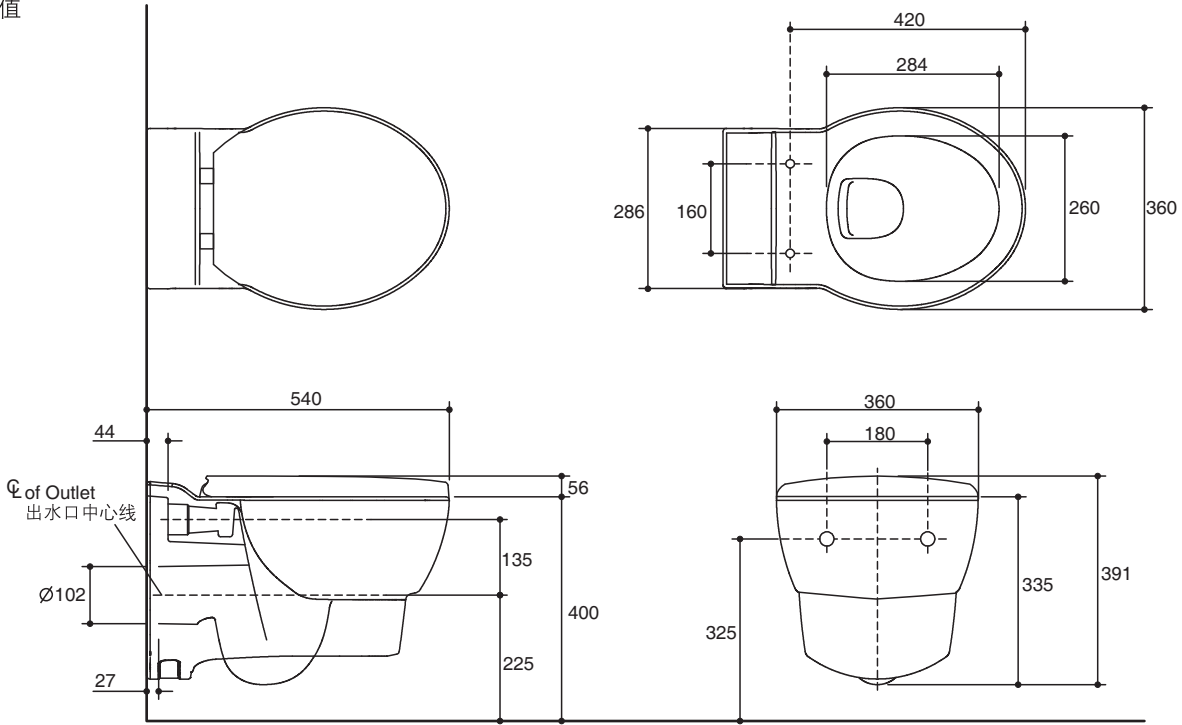


Fig.#1
图1

Kohler reserves the right to change marked dimensions without prior notice.
科勒公司保留随时变更图中标示尺寸的权利，无需另行通知。

INSTALLATION

安装

1. Install Flushing Mechanism

1. 安装冲水装置

1-1. Install The Tank

1-1. 隐藏式水箱的安装

- 1) Turn the water supply off before installing the new toilet.
- 2) Install the concealed tank system in wall before decorating the wall.
- 3) Install the tank system per tank's installation instructions.
- 4) Refer to installation instructions of in-wall tank for SKU of faceplate.

- 1) 安装新座便器前先关闭供水。
- 2) 在装饰墙面前先将入墙式水箱系统安装入墙体。
- 3) 参照水箱安装说明书完成水箱系统的安装。
- 4) 需另配的面板型号请参考水箱说明书。

1-2. Install Manual Valve Or Sensor

1-2. 安装手动阀或感应冲洗器

Refer to installation instructions of manual valve or sensor for the installation of flushing mechanism.

参照手动阀或感应冲洗器的说明书安装冲水装置。

2. Set The Spacing Of The Bowl

After you install the tank, be careful to set the spacing of the bowl on wall according to the dimensions as shown.

2. 座便器定位

水箱安装完成后, 根据图示尺寸, 小心地在墙面上定好座便器的位置。

Unit: mm
单位: 毫米

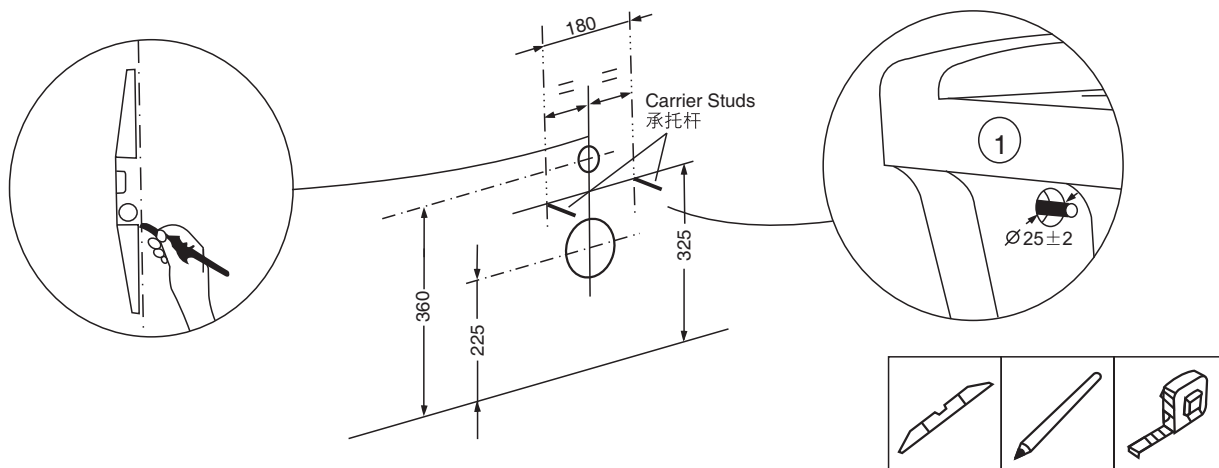


Fig.#2
图2

3. Attach Connection Pipe

- Attach pipe with gasket to the inlet to link to the concealed tank.
- Attach pipe with gasket to the outlet.
*Apply gasket for sealing the bowl to wall.
- You may apply some lubricant to help connect smoothly.

3. 安装连接管

- 连接管装上垫圈, 接上入水口, 连接入墙式水箱。
- 连接管装上垫圈, 接上排污口。
*垫圈使座便器与墙面间严丝合缝。
- 可以使用润滑剂, 有助连接。

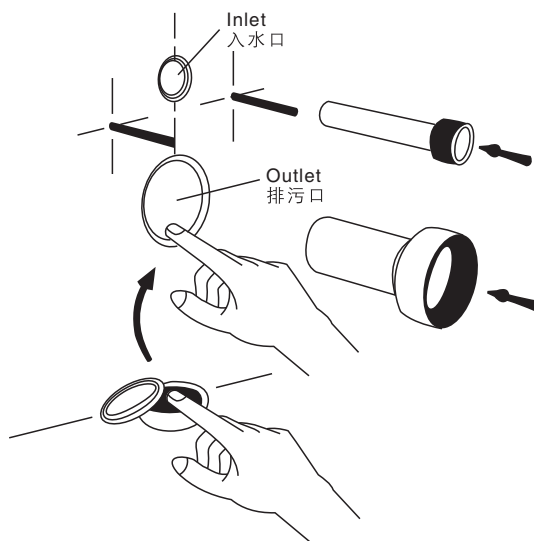
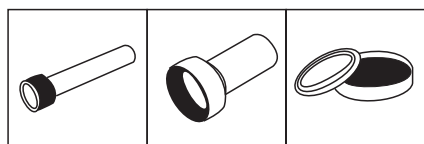


Fig.#3
图3

4. Install The New Bowl

Apply a little silicone sealant along the edge, to fill the gap between bowl and wall. **See Fig. 4a.**

4. 安装新座便器

沿座便器边缘涂少量硅胶密封胶，填补座便器与墙面之间的空隙。见图4a。



Fig. #4a
图4a

Place the new bowl on the wall through the carrier. Wrench the nut to tighten and make them attached securely. **See Fig. 4b.**

- Torque for tightening nuts is recommended to be within the range from 8 Nm to 12 Nm.

座便器穿过承托杆置于墙上。上紧螺母，固定座便器。见图4b。

- 上紧螺母所用的扭矩推荐值为8Nm至12Nm。

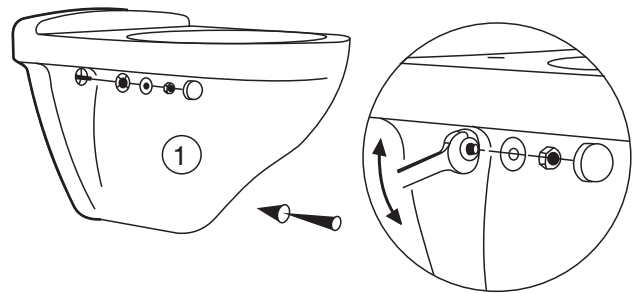
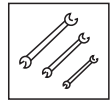


Fig. #4b
图4b



Adjust to horizontal and finish tightening. **See Fig. 4c.**
座便器调整至水平，然后完成固定。见图4c。

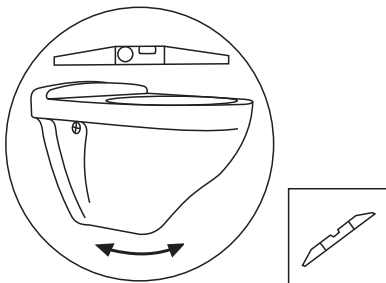


Fig. #4c
图4c

Apply sealant to make sure the bowl's edge seals to the wall. **See Fig. 4d.**

使用密封胶，保证座便器边缘紧贴墙面。见图4d。

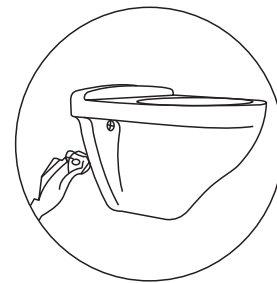


Fig. #4d
图4d

FINISH THE INSTALLATION

1. Ensure that all the connections are tight.
2. Turn on the water supply and check for any leaks.
3. Flush the toilet to check for correct operation.

完成安装

1. 确保所有连接已旋紧。
2. 打开供水管路以检查渗漏。
3. 试冲水以确定座便器安装正确。

CONSUMER RESPONSIBILITIES

When cleaning up after installation, do not use abrasive cleansers, as they may scratch and dull the toilet surface. Use warm water and a liquid detergent to clean the surface.

Remove stubborn stains, paint, or tar with turpentine or paint thinner. Do not allow cleaners containing petroleum distillates to remain in contact with any toilet surface for long periods of time.

Remove plaster by carefully scraping with a wood edge. Do not use metal scrapers, wire brushes, or other metal tools. Use a powder type detergent on a damp cloth to provide mild abrasive action to any residual plaster.

Clean the outside surface of your vitreous china product with mild soap and warm water. Wipe the entire surface completely dry with a clean, soft cloth.

Most toilet bowl cleaners are not harmful to the vitreous china surface of the toilet bowl. Please follow the bowl cleaner manufacturer's instructions carefully.

Do not use abrasive cleaners or solvents.



WARNING: Risk of property or product damage. Do not use in-tank cleaners. Products containing chlorine (calcium hypochlorite) can seriously damage fittings in the tank. This damage can cause leakage and property damage.

Kohler Company shall not be responsible or liable for any damage to these tank fittings caused by the use of cleaners containing chlorine (calcium hypochlorite).



CAUTION: Do not use any cement while installing the toilet. Heat expansion of the toilet may damage the feet of the toilet. Kohler will not be responsible for any damage because of using cement.



WARNING: Risk of product damage. Do not throw into the toilet what is easy to block it, such as newspaper, paper pilch, sanitary towel. Do not bump the vitreous china with great force to prevent it from damaging and leaking. Do not use the product in the water below 0°C.

用户责任

安装完成进行清理时，切勿使用腐蚀性清洁剂，因为它们会刮伤座便器表面，使色彩变得黯淡。使用温水和液体清洁剂来清洁表面。

使用松节油或油漆稀释剂，清除顽固污渍、油漆或柏油。切勿让含有石油提炼物的清洁剂长时间接触座便器表面。

使用木片小心地刮除油灰，切勿使用金属刮刀，钢丝球，或其它的金属工具。使用粉末状清洁剂和湿布柔和地擦去油灰。

使用中性肥皂和温水清洁釉面陶瓷产品的表面。擦拭整个表面，用干净的软布擦干。

大多数马桶清洁剂对座便器表面是无害的，请认真遵循马桶清洁剂制造商的指示来操作。

请勿使用腐蚀性清洁剂或溶剂。



警告：提防楼宇受损或损坏产品。请勿使用水箱内用清洁剂。含氯（次氯酸钙）的清洁剂会严重破坏水箱配件，从而引起渗漏，或对楼宇结构造成损坏。

科勒公司对此类因使用氯(次氯酸钙)而引致的水箱装置损毁，概不负责。



警告：在安装本座便器时切勿使用任何水泥。因为水泥的热膨胀可能使座便器的脚部挤破或损坏。科勒对所有因为水泥安装而引起的座便器破裂恕不负责。




警告：提防损坏产品。请不要向便器内冲入新闻纸、纸尿裤、妇用卫生巾等容易堵塞的物品。请不要用重力撞击陶瓷，以防止破损漏水。

不要在0°C以下的水环境中使用。

BEFORE YOU BEGIN

- Congratulation on your purchase of this high quality Bathroom Accessory. Before proceeding with the installation, please carefully read this installation instruction in order to ensure proper care and assembly of this accessory.
- Please keep this installation instruction for future reference.


 Prior to drilling into walls, check there are no hidden electrical wires, cables or water supply pipes with the aid of an electronic detector. If you use power tools do not forget:

1. Wear eye protection.
2. Unplug equipment after use.

安装之前

- 首先恭喜您购买到了高档的卫浴产品，为了使您正确保护和组装产品，在您安装之前请仔细阅读此说明书。

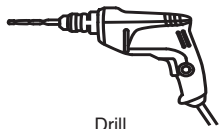
- 请保留此说明书以备参考。

 警示：在钻孔之前，请借助电子探测仪确认墙内是否有电源线，通讯光缆或者水管之类的东西。如果使用电钻的话请勿忘记以下两点：

1. 请戴上防护镜。
2. 用完设备后关掉电源。

TOOLS AND ACCESSORIES

工具及配件



Drill
电钻



Leveling Instrument
水平尺



Screw Driver
螺丝刀



Tape
卷尺



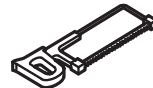
Hammer
锤子



Wrench
扳手



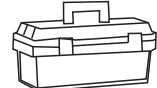
Screw X9
螺钉9个



Saw
手工锯



1.5mm Hex Wrench
1.5mm六角扳手



G1 Screw Die Machine
G1的手动扳牙机

ROUGHING-IN

尺寸图

Reference Value
参考值

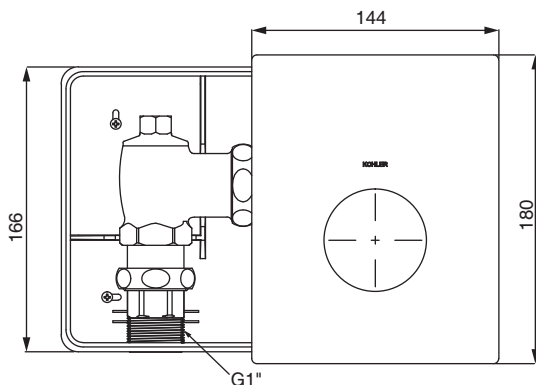
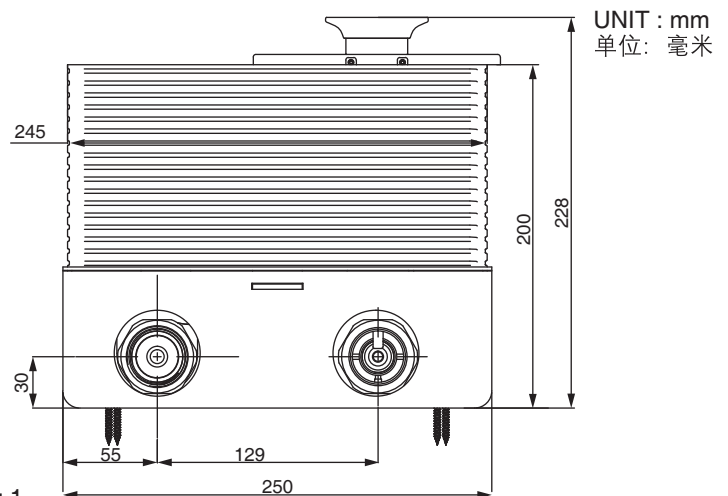


Fig.1
图1



Kohler reserves the right to change marked dimensions without prior notice.
科勒公司保留随时变更图中标示尺寸的权利，无需另行通知。

KOHLER CHINA INVESTMENT CO., LTD NO.158, JIANG CHANG SAN ROAD,
JING'AN DISTRICT, SHANGHAI, PRC POST CODE: 200436
科勒(中国)投资有限公司 上海市静安区江场三路158号 邮编: 200436

SPECIFICATIONS

规格

SKU	K-77681K-G/K-77682K-G/K-77683K-G
Flush Volume 冲水量	4.5L, 6L, 3.5L
Minimum Water Pressure 最低水压	0.05mpa(Dynamic Pressure 动压)
Maximum Water Pressure 最高水压	0.75mpa(Static Pressure 静压)
Water Temperature 工作水温	1°C~50°C

Note: Only K-77682K-G(6L) can match Bardon squat (K-20441T/K-20441T/K-20441T)
 注意: 仅K-77682K-G(6L)可匹配6L巴尔顿蹲便器(K-20441T/K-20441T/K-20441T)

INSTALLATION

安装

1. Drill wall

1. 凿毛坯墙施工法

Draw lines and drill the wall according to Fig.2. The horizontal distance between the bottom of plate and the surface of squat pan is advised to be 1200mm, and the horizontal distance between the bottom of plate and toilet cover is advised to be 600mm. Depth can be adjusted as desired.

根据下图2在毛坯墙上画线, 并按尺寸开凿毛坯墙。建议安装面板底部与蹲便器陶瓷面之间的水平距离为1200mm, 与座便器盖板之间的水平距离为600mm。深度请客户根据实际情况调整。

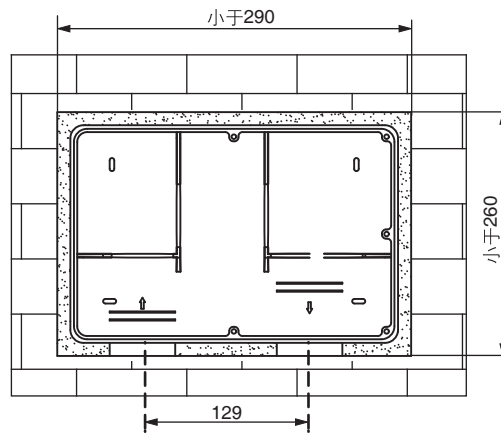


Fig.2
图2

2. Fix box

2. 固定盒子

- Insert the box as shown in Fig.3. Adjust and fix the box with 4 screws.
- Cut the inlet and outlet pipes as shown (G1 female thread for inlet pipe)

- 按图3嵌入盒子, 调整其位置后, 使用4个螺钉固定。
- 按盒子标识线切割进、出水管(进水管为G1内螺纹)。

Note: The inlet and outlet pipes shall be cut level and clean and ensure its proper vertical and horizontal level.

注意: 切割后的进、出水管需保证端面平整、光洁、水平度和垂直度。

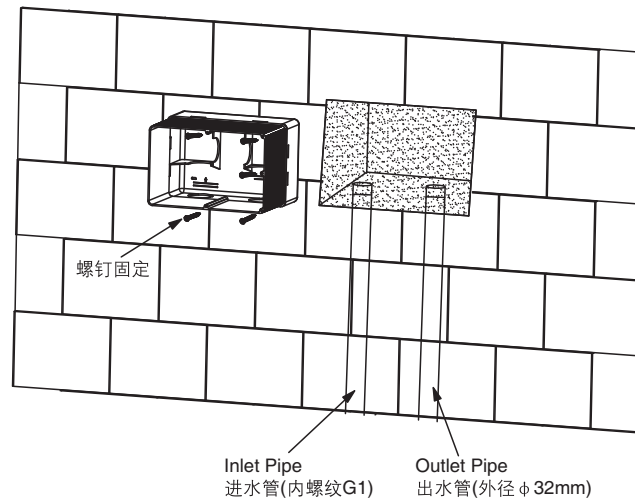


Fig.3
图3

3. Cut box

Cut the excessive part of the box as shown.

3. 切割盒子

如图所示：切除盒子凸出墙面部分。

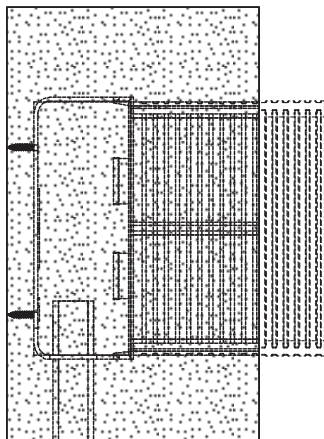


Fig.4
图4

4. Install valve assembly

Fix valve assembly onto inlet and outlet pipes with wrench as shown in Fig.5.

Fix onto inlet pipe

- Process inlet pipe thread and fix inlet pipe connector.
- Put seal onto the nut.
- Tighten valve assembly and inlet connector with wrench.

Fix onto outlet pipe

- Put nut and seal onto outlet pipe.
- Tighten valve assembly and outlet connector with wrench.

Note: Clean waste in the supply pipe before fixing inlet pipe.

4. 安装阀体组

根据图5所示，将阀体组用扳手安装在进水管上。

进水端安装

- 加工进水管螺纹，并安装进水管接头组；
- 将垫片放入螺母内；
- 用扳手锁紧阀体组与进水接头。

出水端安装

- 将出水螺母、锥形垫片套入出水管外；
- 用扳手锁紧阀体组与出水接头。

注意：安装进水管前，请将供水管内的污垢清理干净。

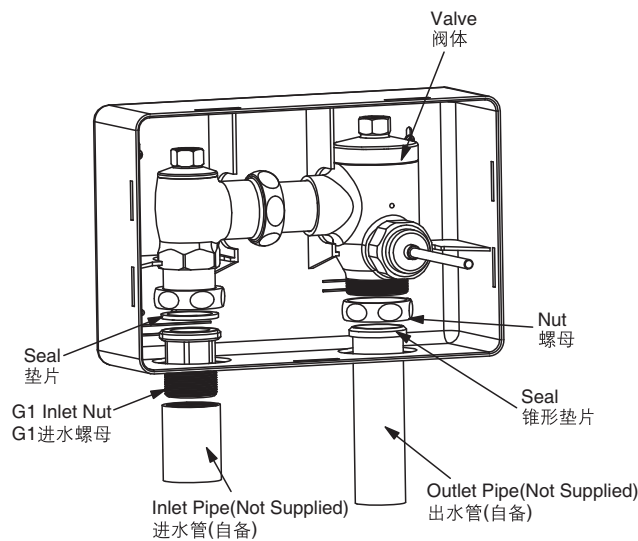


Fig.5
图5

5. Cut and fix tile

Cut tiles as shown in Fig.6.

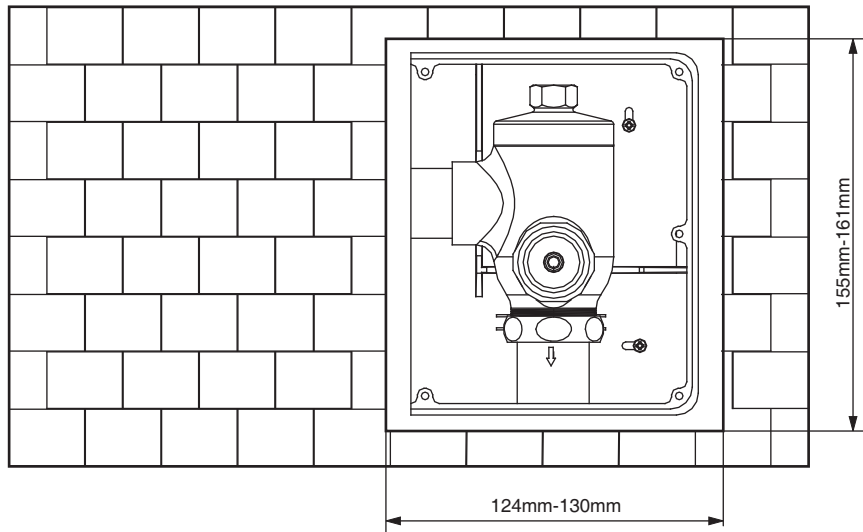


Fig.6
图6

5. 切割瓷砖口并贴瓷砖

根据图6的尺寸切割瓷砖。

6. Fix bottom board

- Tighten the 6 screws on the bottom board.
- Cut the rod connector according to the depth into the tile (17.8^{+1}_0).
- Fix the rod connector to the valve rod.

Note: Do not overtighten the nut to avoid deforming or damaging the bottom board.

- Test run and check the valve after installation.
- Water continues running at flush valve: Check whether the rod is still too long. Continue press the rod with the button to make the valve continue working.
- No water or too little water running from the valve: Check whether the rod is too short.
- Connect the manufacturer for any other problems.

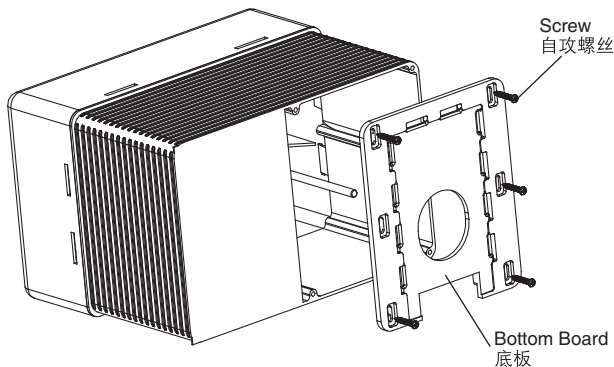


Fig.7
图7

6. 固定底板

- 用6个自攻螺钉锁紧底板;
- 根据盒子安装深度, 切割推杆长度(17.8^{+1}_0);
- 安装推杆接头于阀体组上。

注意: 锁紧后的自攻螺钉不可致使底板变形、破裂等异常出现。

- 安装完成后再次试运行工作, 检查产品工作状态:
- 冲洗阀不止水, 确认是否推杆接头切割后, 仍然较长。使按钮持续按压推杆, 致使冲洗阀持续工作;
- 冲洗阀不出水或者流量较小, 确认是否推杆接头切割后, 推杆接头较短, 按压按钮无法触碰推杆接头。
- 如果是其它问题, 请及时联系厂家。

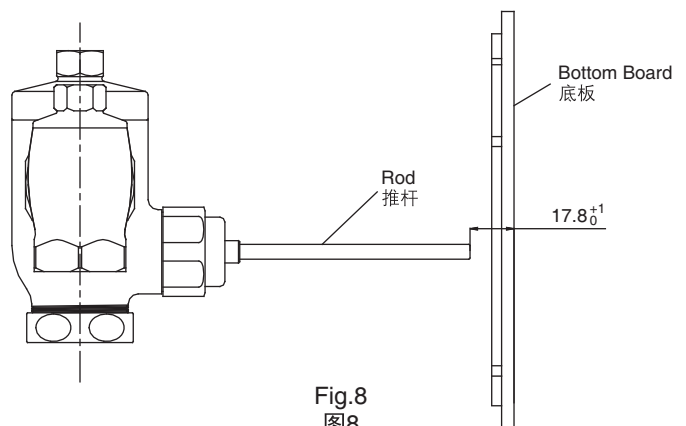


Fig.8
图8

7. Fix faceplate

- Put the faceplate onto the bottom board.
- Pull the faceplate downwards.
- Tighten the rod with L wrench.

Note: When removing the faceplate, unscrew the screw 3mm out and push the faceplate 3.5mm upwards to remove it.

7. 固定面板组

- 将面板扣在底板上;
- 将扣好的面板下拉;
- 用L型扳手锁紧顶丝。

注意: 维修需拆卸面板组时, 顶丝退出面板组外3mm, 然后将面板组沿墙面向上推移3.5mm左右即可将面板组从墙上取出。

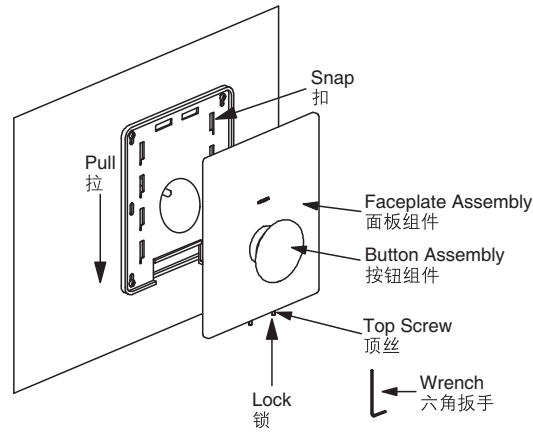


Fig.9
图9

8. Maintenance

Test run and check the valve after installation. Leakage at inlet connector:

- Refer to Fig.7 to check whether the seal is properly installed, nut is tightened and whether the inlet pipe is at proper vertical and horizontal level.
- Leakage at outlet connector: Check whether the surface is smooth, the seal is twisted and the nut is tightened.
- Water cannot be stopped: Press the rod to check whether it can be restored, there is wastes inside and valve assembly is blocked.

8. 维修说明书

安装阀体组后, 按压推杆使冲洗阀试运行工作, 检查冲洗阀的各个连接部位能否密封, 能否止水等异常出现:

- 进水接头处漏水, 参照图7确认垫片是否安装好、螺母是否锁紧及进水管端面平整度和垂直度。
- 出水螺母连接漏水, 需确认出水管外径表面光洁度、锥形垫片是否扭曲及出水螺母是否锁紧。
- 冲洗阀不止水, 需按压杆, 确认是否可正常回位、主体内是否有杂物、活体组件移动是否卡阻。