

BEFORE YOU BEGIN

- Observe all local plumbing and building codes.
- Prior to installation, unpack the new lavatory and inspect it for damage. Return the lavatory to its protective carton until you are ready to install it.
- All information in these instructions are based the latest product information available at the time of publication. Kohler China reserves the right to make changes in product characteristics, packaging, or availability at any time without notice.

IMPORTANT: Make sure that the wall and floor are square and plumb to ensure proper installation.

- Kohler lavatory is made according to American National Standard that it can match the American lavatory fittings. Any other lavatory fittings may not fit for Kohler lavatory.

安装之前

- 遵守当地所有给排水及建筑规定。
- 安装之前先开启新脸盆的包装，检查有无破损后放回纸箱中以免碰坏，到准备安装时才取用。
- 本说明书所含一切资料，均以印刷时所有的最新产品为准。科勒公司保留随时更改产品特性，包装或供应情况的权利，恕不另行通知。

注意：墙壁和地板必须方正、平整和水平。

- 科勒洗脸盆是根据美国标准制造的，与美式洗脸盆配件相配。其它洗脸盆配件可能与之不相配。

ORDERING INFORMATION

CANDIDE Semi-Ped Lavatory	K-17652T
Includes Basin	K-17151T
Semi-Pedestal	K-17154T
CANDIDE Semi-Ped Lavatory	K-17653T
Includes Basin	K-17150T
Semi-Pedestal	K-17154T
PANACHE Semi-Ped Lavatory	K-17656T
Includes Basin	K-17156T
Semi-Pedestal	K-17154T
PANACHE Semi-Ped Lavatory	K-17657T
Includes Basin	K-17155T
Semi-Pedestal	K-17154T

订购信息

凯迪半柱挂墙式脸盆	K-17652T
包括洗脸盆	K-17151T
半柱	K-17154T
凯迪半柱挂墙式脸盆	K-17653T
包括洗脸盆	K-17150T
半柱	K-17154T
帕纳奇半柱挂墙式脸盆	K-17656T
包括洗脸盆	K-17156T
半柱	K-17154T
帕纳奇半柱挂墙式脸盆	K-17657T
包括洗脸盆	K-17155T
半柱	K-17154T

REQUIRED MATERIALS/TOOLS (NOT SUPPLIED)

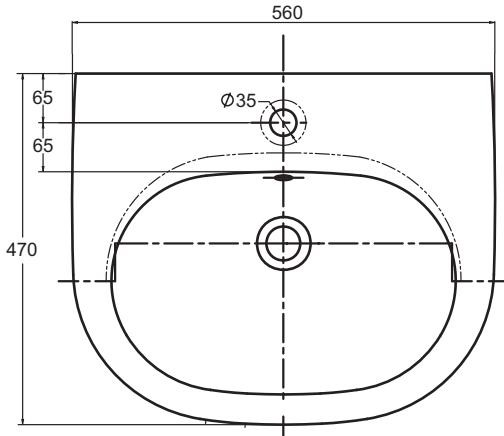
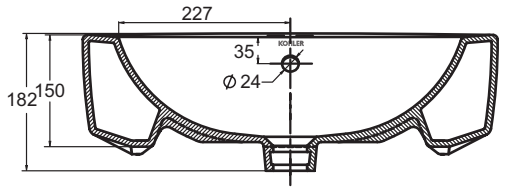
- Level
- Drill with 6mm bit
- 14mm wrench
- Framing square
- Channel lock pliers
- Tape measure

所需工具和材料 (不随货供应)

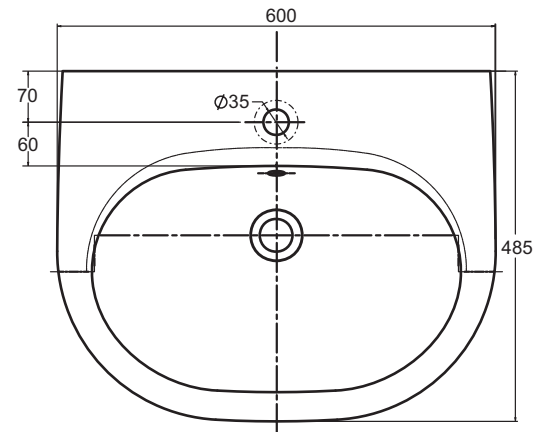
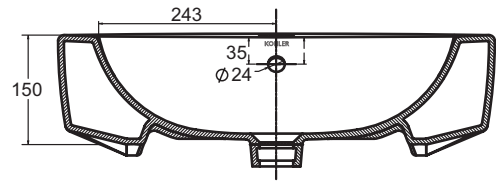
- 水平尺
- 带6mm钻头的电锤钻
- 14mm板钳
- 定位直尺
- 锁钳
- 卷尺

单位: 毫米
UNIT: mm

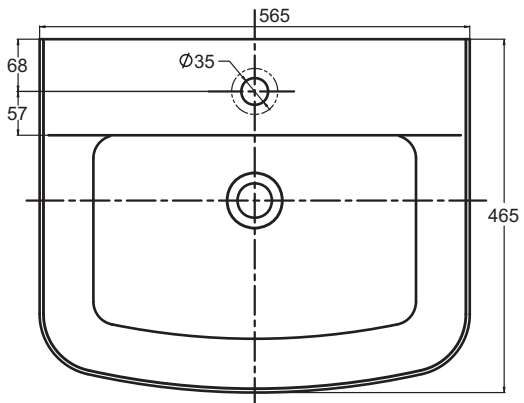
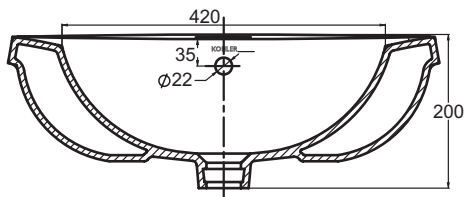
17150T



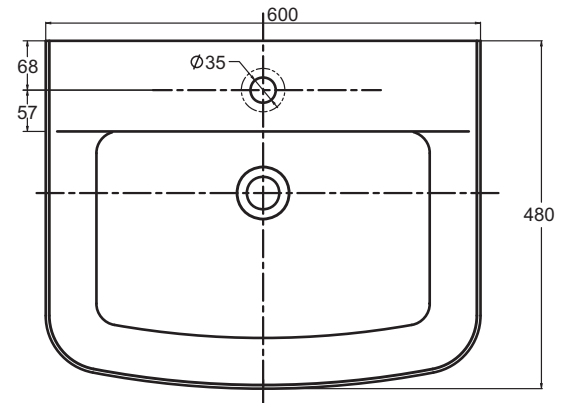
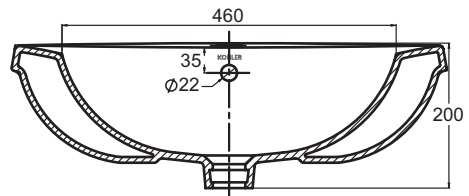
17151T



17155T



17156T



17154T

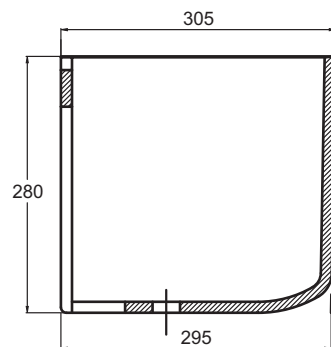
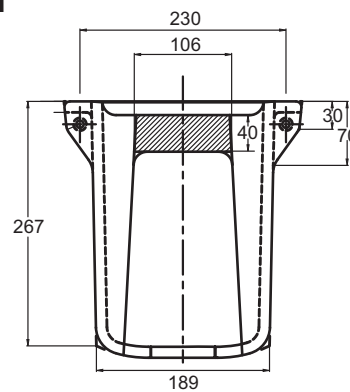


Fig.#1
图1

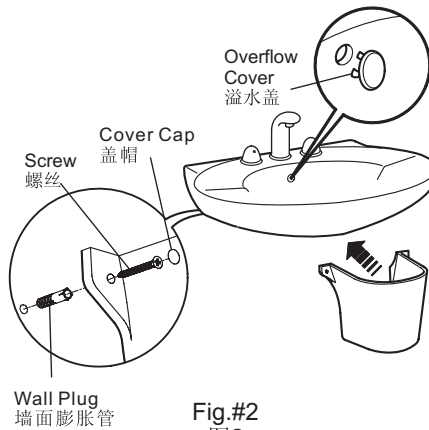
INSTALLATION

安装

1. Make sure the basin is installed by a competent installer.
2. Install the services.
3. Make sure that the hot and cold water supply pipes and the waste are installed correctly.

1. 确保脸盆由有资质的人员安装。
2. 安装检修部位。
3. 确保冷热水供水管和排水管安装正确。

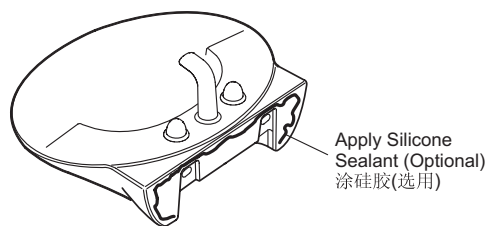
4. Hold the semi-pedestal in position and mark the position of fixing holes.
5. Drill the holes and secure the semi-pedestal in position with wall plugs and screws. Place cover caps over the heads of the screws.
6. Fit the tap and waste to the basin in accordance with the manufacturer's instructions.



4. 将半柱放置到位，标记固定孔的位置。
5. 钻孔，然后用墙面膨胀管和螺丝固定半柱。在螺丝上装上盖帽。
6. 根据制造商的安装说明将龙头和排水管装到脸盆上。

Fig.#2
图2

7. Apply silicone sealant to the back of basin (optional).



7. 在脸盆的背部涂上硅胶(选用)。

Fig.#3
图3

8. Fit the basin in position over the semi-pedestal.
9. Adjust the offset nut until the basin is level.
10. When the basin is level, fit the washers and the nuts and secure in place.
11. Remove any excess silicone sealant.
12. Place the overflow cover over the overflow hole in the basin (if supplied).




8. 将脸盆放置到半柱上。
9. 调节偏移螺母直到脸盆水平。
10. 当脸盆水平时，装上垫片和螺母，将其固定到位。
11. 除去多余的硅胶。
12. 将溢水盖装到脸盆内的溢水孔上(若提供)。

Fig.#4
图4

IMPORTANT CONSUMER INFORMATION

用户须知

CARE AND CLEANING


 **Caution! Risk of product damage.**

Many cleaners contain abrasive and chemical substances, and should not be used for cleaning stainless steel, enamel, plated or plastic fittings.

These finishes should be cleaned using a mild washing up detergent or soap solution, rinsed and then wiped dry with a soft clean cloth.

To keep your lavatory looking new, make sure you rinse it out thoroughly after each use. **DO NOT USE ABRASIVES** on this product, as they will scratch and ruin the surface. Stubborn stains, paint, or tar can be removed with turpentine or paint thinner.

护理及清洁

 **警告！有产品损坏的危险。**

许多清洁剂包含磨损性的化学物质，不应该用来清洗不锈钢、釉质、镀金或塑料部件。

这些部件应用温和的清洁剂或者肥皂水来清洗、漂净，然后用柔软干净的布擦干。

为保持脸盆常新，请确保每次使用后立即彻底冲洗。但切勿用腐蚀性清洁剂，以防止刮花或磨损盆面。如有顽渍、油漆或柏油点，可用松油或油漆稀释剂清洗。

LIMITED ONE-YEAR WARRANTY

一年有限担保

Plumbing Fixtures and Fittings Limited One-year Warranty

陶瓷及浴缸产品及配件担保——一年有限担保

Kohler plumbing fixtures and fittings are warranted to be free of manufacturing defects.

科勒公司担保其陶瓷及浴缸产品及配件在制造工艺上无瑕疵。

This product is warranted for one year from date of purchase. Kohler China will be responsible for any problems caused by manufacturing defects provided with the invoice. Kohler China will, at its election, repair, replace or make appropriate adjustment where Kohler China inspection discloses any such defects occurring in normal usage within one year after purchase.

本产品自购买之日起即获得本公司一年的质量保证。在质保期内，凭购货发票，科勒公司将免费承担由制造质量引起的任何问题。经核查后，科勒中国有限公司有权决定是修理、更换、还是作适当的调整。

Implied warranties including that of merchantability and fitness for a particular purpose are expressly limited in duration to the duration of this warranty, Kohler China disclaims any liability for special, incidental or consequential damages. Damages to the product caused by misuse, abuse and installation that is not in accordance with the owner's manual are not covered by this warranty.

这里所指的担保，包括产品，都已明确地限制在该担保期之内。科勒中国有限公司对其后出现的损坏不负有任何责任。担保也不包括外观损伤、使用不当以及未按说明书安装的损失。

To obtain quick warranty service, please contact your dealer, or write to Kohler China. (Original sales receipt must be provided as the proof of purchase.)

为获得快捷的担保服务，请联系您的销售商；您也可写信给科勒中国有限公司(请出示销售发票原件作为购货凭证)：

Kohler China Investment Company Ltd.
Central Customer Service Center
19/F, Shanghai Square, 138 Huai Hai Road,
Luwan District, Shanghai, PRC
Zip Code: 200021

科勒(中国)投资有限公司
中央客户服务中心
上海市卢湾区淮海中路138号
上海广场19楼
邮编：200021

This is our exclusive written warranty.

这是我们全部的书面担保。