

18470T-4 入墙式面板
18471T-4 入墙式切换面板

安装之前

BEFORE YOU BEGIN

所有的资料是按最新发布的产品资料编写而成。科勒公司保留任何时候不经通知即可改变产品特性、包装或产品可供类型的权利。

All information is based on the latest product information available at the time of publication. Kohler Co. reserves the right to make changes in product characteristics, packaging, or availability at any time without notice.

说明书包括重要的安装、保养及清洁方面的内容，请把这些资料交给用户阅读。

Please leave these instructions for the consumer. They contain important information.

注意事项:

Notes:

- 1.一定要先彻底冲洗供水管以清除管道中的杂质。
- 2.在说明书所指示的恰当时候，拿掉阀芯保护套。
- 3.参照 18470T-4 安装尺寸安装阀体 880T，参照 18471T-4 安装尺寸安装阀体 882T。

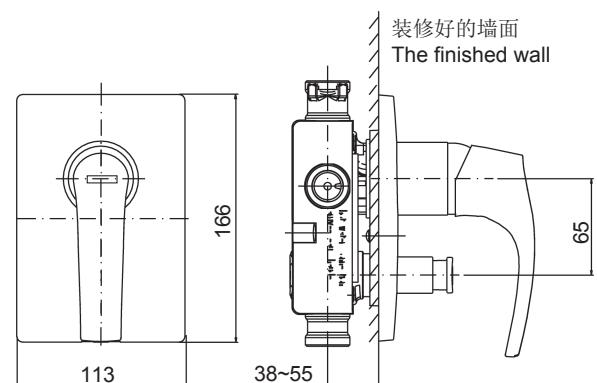
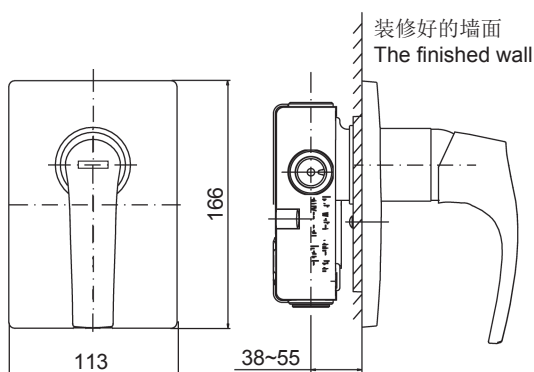
1. Flush the water supply pipes thoroughly to remove debris.
2. Do not remove the plastic guard from the valve body until instructed to.
3. Install valve 880T according to the rough-in dimensions of 18470T-4, Install valve 882T according to the rough-in dimensions of 18471T-4.

安装尺寸

ROUGH-IN DIMENSIONS

18470T-4

18471T-4



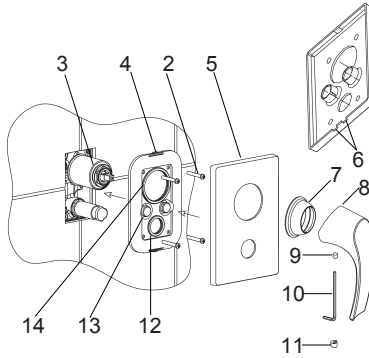
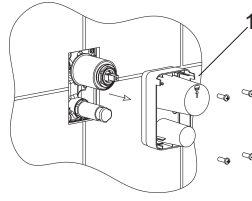
安装步骤

注意:参照18470T-4安装尺寸安装阀体880T, 参照18471T-4安装尺寸安装阀体882T。

墙面装修好后, 拿掉保护套(1)。

将安装盘组件(4)套入阀体(3), 凸起(13)朝外(**注意:** 勿将环12、14挤出), 将其后推, 直至与墙面接触。用螺钉(2, 长50mm)固定安装盘组件。将面板(5)套在阀体上, 使开槽(6)向下。将其后推, 直至与墙面接触。将阀帽(7)旋到阀体上。

安装把手(8): 用六角扳手(10)旋紧固定螺丝(9), 塞上色扣(11), 红色朝左。



INSTALLATION

Note: Install valve 880T according to the rough-in dimensions of 18470T-4, Install valve 882T according to the rough-in dimensions of 18471T-4.

Remove the plastic guard(1) after completed the finished wall.

Slide the cover kit(4) onto the valve(3) with the plugs(13) facing outside(**Note:** Don't squeeze out the rings 12,14). Push it against the wall. Secure it with the screws(2, length 50mm). Slide the faceplate(5) onto the valve with slots(6) downwards. Push it against the wall. Screw the bonnet(7) on the valve.

Install handle(8): Tighten the setscrew (9) with hex wrench(10). Press plug button(11) to the hole. The red part faces the left.

清理说明

适用于所有加工处理过的表面: 以中性肥皂温水清洗镀层表面, 再以干净的软布彻底擦干整个表面。许多清洁剂, 比如氨水、去污粉及洁厕灵等, 会对电镀表面造成伤害而不宜使用。

有腐蚀性的清洁剂或溶剂也不可适用于科勒牌的水龙头及其附件上。

CLEANING INSTRUCTIONS

All Finishes: Clean the finish with mild soap and warm water. Wipe entire surface completely dry with clean soft cloth. Many cleaners may contain chemicals, such as ammonia, chlorine, toilet cleaner etc. which could adversely affect the finish and are not recommended for cleaning.

Do not use abrasive cleaners or solvents on Kohler faucets and fittings.

服务零件

SERVICE PARTS

3007136
Cover Kit
安装盘组件
(仅用于18470T-4)
(Only for 18470T-4)

3007134
Cover Kit
安装盘组件
(仅用于18471T-4)
(Only for 18471T-4)

3006903
Ring
环
(仅用于18471T-4)
(Only for 18471T-4)

3010602
Screw
螺钉

3006902
Ring
环

3007062**
Faceplate
面板
(仅用于18470T-4)
(Only for 18470T-4)

3006985**
Faceplate
面板
(仅用于18471T-4)
(Only for 18471T-4)

3006923**
Bonnet
阀帽

3010483**
Handle
把手

833438
Screw
螺钉

1060709
Plug Button Kit
塞扣组件

833730
2.5mm Hex Wrench
2.5毫米六角扳手

**订购时请说明颜色编号

**Color code must be specified when ordering