

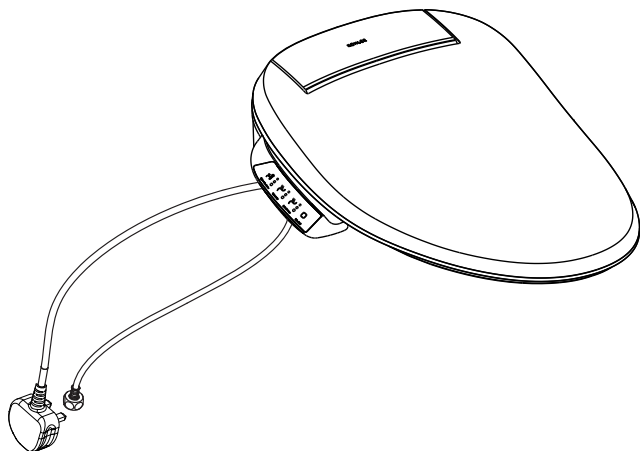
Installation Guide

安装说明

Smart Seat
清舒宝智能便盖

C3-050

K-18751MY-0



科勒（中国）投资有限公司
中国上海市静安区江场三路158号 邮编：200436
制造商：上海科勒电子科技有限公司
中国上海市宝山区丰翔路1955号 邮编：200444

English page 2-7

中文页码 8-13

1305684-MY01-B

KOHLER®

Thank You For Choosing Kohler Company

We appreciate your commitment to Kohler quality. Please take a few minutes to review this manual before you start installation. If you encounter any installation or performance problems, please don't hesitate to contact us. Thanks again for choosing Kohler Company.

Tools and Materials



Adjustable Wrench



Blade screwdriver

Before You Begin



Warning: Risk of electric shock, fire or personal injury. This product must be installed safely. Connect only to dedicated 220V~, 50Hz, 10A circuit protected by Ground-Fault Circuit-Interruption (GFCI's) or Earth-Leakage Circuit-Breakers (ELCB's).



WARNING: Risk of electric shock or product damage. Do not immerse product within water.

NOTICE: To avoid possible product malfunction, do not plug in the seat until instructed to do so.

IMPORTANT! Risk of product damage. Do not install seat in a location where water might be splashed on the product

IMPORTANT! Risk of product damage. Do not install this seat in a location exposed to excessive moisture where condensation might form on the product surface. Provide adequate ventilation to avoid damage to the electronic components due to high humidity levels.

IMPORTANT! Risk of product or property damage. Pushing or pulling on the water connection may cause water leakage.

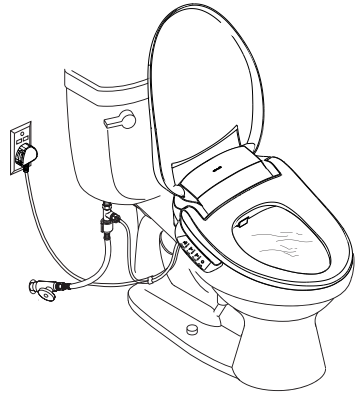
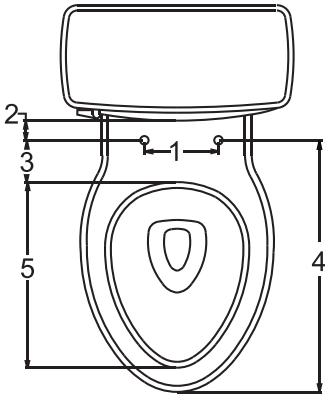
IMPORTANT! Risk of product damage. Do not apply excessive force to the spray wands. Product may break.

IMPORTANT! Risk of product damage. Align thread when connecting water inlet hose, otherwise product water inlet thread might damage which should cause water leak.

- Observe all local plumbing, electrical, and building codes.
- All information in these instructions is based upon the latest available product information. Kohler Company reserves the right to make changes at any time without notice.
- Do not use an extension cord with this product.
- Min water pressure 0.07Mpa (dynamic pressure)
Max water pressure 0.74Mpa.
- Only connect to water supply at a drinking quality .
- Unplug the seat and drain the seat if the functions of the seat will not be operated for an extended period of time.
- When install the product in the room, a stop valve shall be installed in a close proximity. For emergency circumstances, the water inlet valve shall be stopped without using any tools; otherwise unexpected failure may cause the loss to the customer.

- The new hose-sets supplied with the appliance are to be used and that old hose-sets should not be reused.

1. Proper Toilet Cover Dimension Requirement and Installation tips.

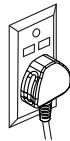


1. Mounting hole dimension: 136-210mm
2. Mounting hole to water tank dimension: >35mm
3. Mounting hole to toilet ring distance: <80mm
4. Mounting hole to toilet top distance: 460-490mm
5. Toilet ID dimension: 370-390mm
6. The electrical outlet should be located within 1m of the toilet to accommodate the length of the power cord.

2. Install an Electrical Outlet



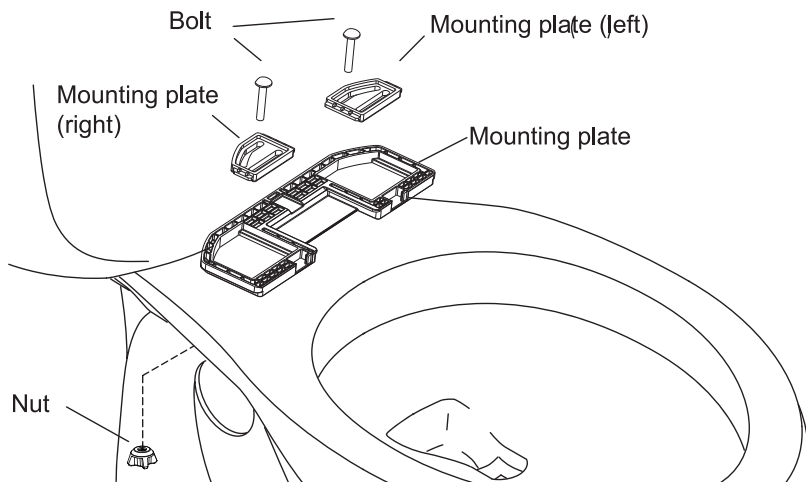
Warning: Risk of electric shock, fire or personal injury. This product must be installed safely. Connect only to dedicated 220V~, 50Hz, 10A circuit protected by Ground-Fault Circuit-Interrupters (GFCI's) or Earth-Leakage Circuit-Breakers (ELCB's).



- Suggest to use water proof socket. Do not use an extension cord with this product. Note: Observe all local plumbing and building codes.
- Route the electrical and install to a 220V~, 50Hz, 10A GFCI- or RCD -protected receptacle.

3. Preparation

- Turn off the water supply to the toilet.
- Flush the toilet to relieve any pressure from the water supply pressure.
- Place one container under water inlet valve for excessive water.
- Disconnect the water supply hose from the toilet water inlet valve.
- Remove current seat.



4. Install Mounting Plate

Note: align left/right mounting plate with mounting holes, bend mounting plate upwards.

- Position the mounting plate over the mounting holes on the bowl.
- Insert the bolts through left/right mounting plate so they rest in the grooves of the mounting plates.

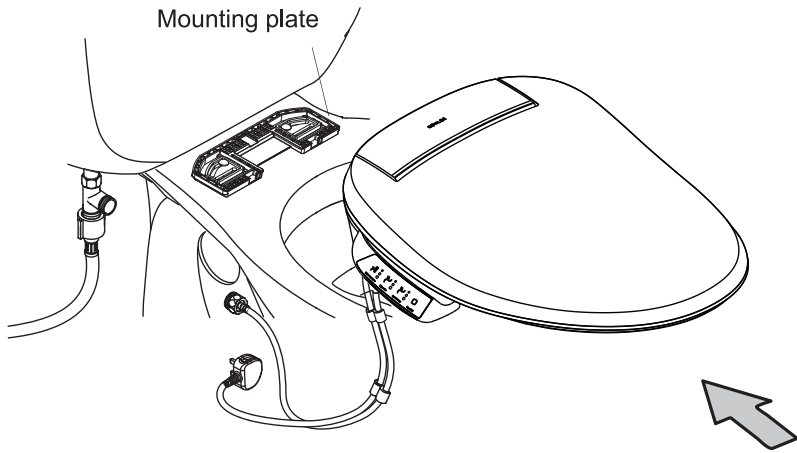
Note: some toilet base plate has already equipped with threaded insert, no nut required for such toilet.

Toilet with threaded inserts:

- Insert bolts through the mounting plate, move left/right mounting plate and position the bolts so they rest in the groove of the mounting plates. Pay attention to mounting plate direction: mounting plate bend upwards
- Tighten bolts slightly towards threads direction. Loosely thread a nut onto each of the bolts for future adjustment.

For all other toilets installation:

- Position the mounting plate over the mounting holes on the bowl.
- Insert bolts through the mounting plate, move left/right mounting plate and position the bolts so they rest in the groove of the mounting plates. Pay attention to mounting plate direction: mounting plate bend upwards.
- Insert each bolt through the mounting plate and into the mounting holes.
- Position the left/right mounting plate so to rest in the grooves of the mounting plate.
- Loosely thread a nut onto each of the bolts. Manual tighten nuts.



5. Install the seat

- Align seat cover bottom so they rest in the grooves of the mounting plate. Slide seat cover toward water tank direction above the seat until you feel it snap into place

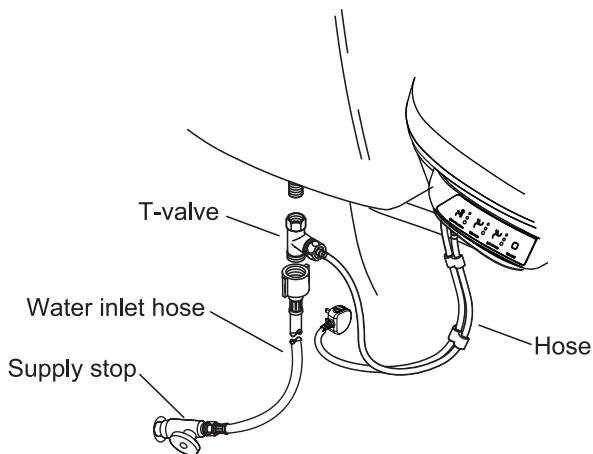
Note: adjust mounting plate to align with related toilet position as needed.

For toilet with threaded inserts:

- Adjust seat cover position, dismantle seat cover when needed. Readjust mounting plate position.
- Once seat cover position is defined, remove cover seat, tighten mounting plate.
- Reinstall seat cover.

For all other installation:

- Adjust seat cover position, do not remove seat cover. Tighten nut to adjust seat cover and mounting plate position. Tighten nut directly when position is proper. Do not worry bolts rotation.

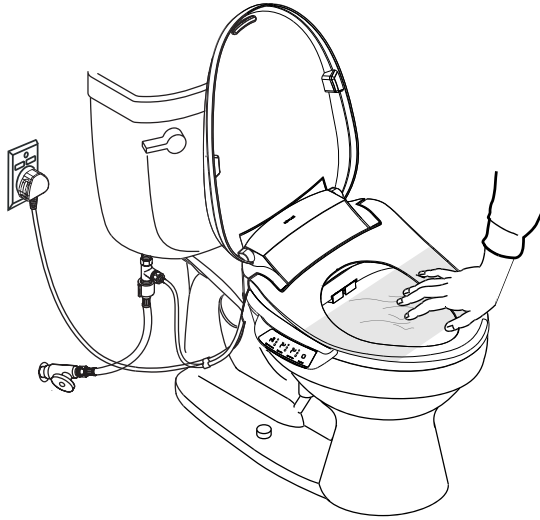


6. Connect the water supply

IMPORTANT! Risk of product damage. Align water inlet hose with seat cover thread. Use care to avoid cross threading or over tighten the connector. Manual tighten connector and then use tool to tighten bolts for another $\frac{1}{4}$ circle.

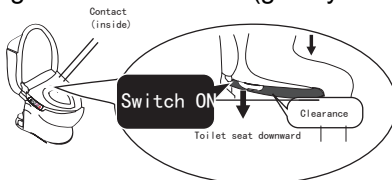
IMPORTANT! Risk of product damage. Use care to avoid product surface scratch

- Connect the T-valve with toilet water inlet hose.
Note: For new installed pipeline system, before connect water inlet hole with T-valve, discharge water for a few second to eliminate sand or stain within hose
- Connect the T-valve to the seat with the hose.
Note: The new hose-sets supplied with the appliance are to be used and that old hose-sets should not be reused.
- Connect T-valve to water supply system (valve shall be purchased by customer).
- Turn on water supply.
Note! Completely clean water supply hose to eliminate any debris within pipeline. Use drinking quality water, do not use industrial water, waste water, sewage water or sea water.
- Check all connections for leaks and make any adjustment as needed.



7. Installation Checkout

- Ensure if water inlet valve is OPEN.
- Wrap the toilet seat with plastic wrap. This will prevent water from spraying from the toilet during testing.
- Plug power cord into socket, Bidet seat generate one short beep, wand extend and retract once, side panel backlight and night light blink until initialization completion.
- Attach the clips along the hose and power cord.
- The seat is activated by skin-to-seat contact. To activate the seat controls for testing purpose, facing the toilet first, then hold seat from right front edge about 1/2 position by hand, hear the seat on right side of the rotating shaft generate one “click” (gravity induction).



- The contact might not be activated if customer does not sit all way in.

Note

- It is difficult to activate contact for light weight children.
- There's clearance between seat bumper to toilet due to mobile structure design.
- Continue reference “Operation” section within user’s manual to checkout different functions.



感谢您选择科勒公司

我们感谢您对科勒质量的信任。在您开始安装前，请您花几分钟时间阅读这本手册。如果您在安装或性能方面遇到任何问题，务必请您与我们联系。再次感谢您选择科勒公司。

工具和材料



可调节扳手



一字螺丝刀

安装之前



警告：触电、火灾或人身伤害的危险。本产品必须安全接地。只能连接到专用的 220V~，50Hz，10A带接地故障断路器或接地漏电保护器的电路中。



警告：触电或产品损伤的危险。不要把产品浸没在水中。

重要！产品损伤的危险。在所有其他安装步骤结束之前不要插电源线插头。

重要！产品损伤的危险。不要把产品安装在水可能溅到的地方。

重要！产品损伤的危险。不要把产品安装在过分潮湿的地方，在这种地方，水汽可能凝聚在产品表面。请始终保持使用环境有足够的通风，以防止电子组件的损坏。

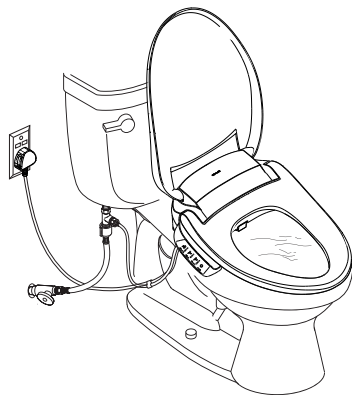
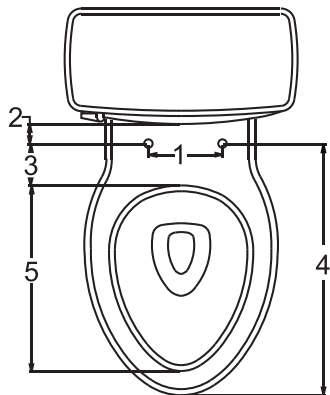
重要！产品损坏或财产损失的危险。硬推、硬拉水管接头可能造成水渗漏。

重要！产品损坏的危险。不要在喷嘴上施加过大的力，否则产品可能损坏。

重要！产品损坏的危险。连接本产品进水管时要小心对正螺纹，否则会损坏产品进水口螺纹，造成漏水。

- 遵守所有当地的管道和建筑标准。
- 这本说明中所有的信息基于最新公开的产品信息。科勒公司保留在任何时间不通知的情况下做改变的权利。
- 不要使用延长电线连接产品。
- 最小进水压力**0.07Mpa**（动压）
最大进水压力**0.74Mpa**。
- 只能连接到自来水的水源。
- 如果产品长时间不用，请拔下插头并排干本机里的水。
- 必须使用随器具附带的新软管组件，旧软管组件不能重复使用。
- 在安装本产品的同一房间中，需要在触手可及的位置安装一个止水阀，用于紧急情况下，无需借助工具即可切断本产品的进水水路；否则本产品的意外故障可能会导致用户损失。

1. 适配座便盖尺寸要求及安装小贴士

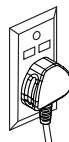


1. 安装孔的间距：136-210mm
2. 安装孔与水箱的距离 > 35mm
3. 安装孔与座便器内圈的距离 < 80mm
4. 安装孔到座便器顶端的距离：460-490mm
5. 座便器内径尺寸：370-390mm
6. 安装前请在座便器左侧约1米范围内预留电源插座。

2. 安装电路出口



警告：触电、火灾或人身伤害的危险。本产品必须安全接地。只能连接到专用的 220V~，50Hz，10A带接地故障断路器或接地漏电保护器的电路中。



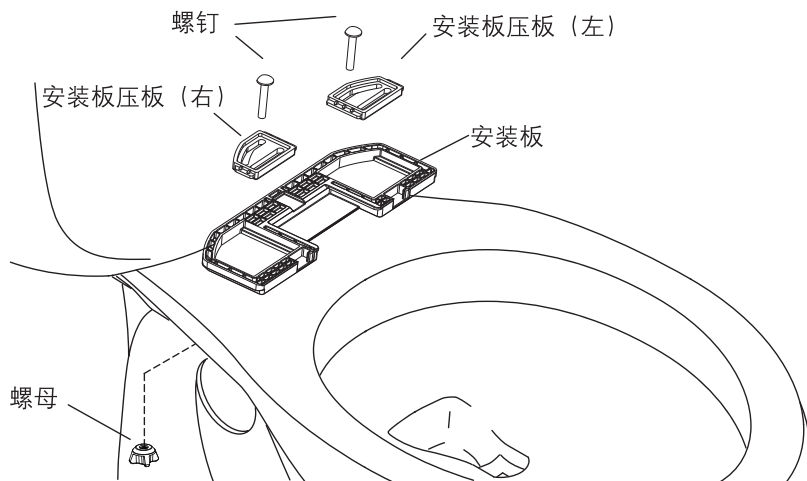
- 建议使用防水型插座，不要使用延长电线连接产品。

注意：在决定电路出口位置时，要按照当地的标准。

- 连接到 220V~，50Hz，10A 并带有接地故障断路器或接地漏电保护器保护的电路中。

3. 准备

- 关闭座便器的供水系统。
- 冲洗座便器，释放来自供水管的压力。
- 在进水阀下方放置一个容器装多余的水。
- 断开座便器进水阀与供水管的连接。
- 移除现有的座圈。



4. 安装安装板

注意：左、右安装板压板与安装板上的孔形对应。

- 在座便器安装孔上方放置安装板。
- 把螺钉分别插入左、右安装板压板上合适的条形孔内。

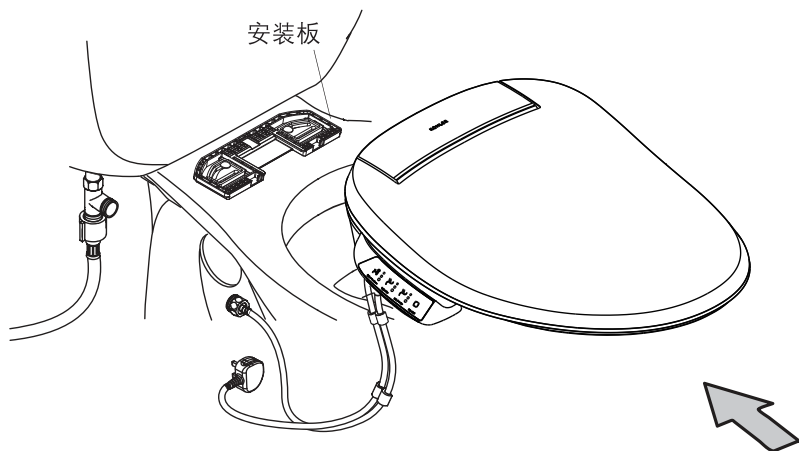
注意：一些座便器的底板孔内已经有螺纹，这种座便器不需要螺母。

对有螺纹孔的座便器：

- 把螺钉插入安装板和座便器安装孔内，移动左、右安装板压板，使之置于安装板上对应的凹槽内。
- 顺着螺纹轻轻地拧紧螺钉，不要拧得过紧，以便调整。

对其他座便器：

- 在座便器安装孔上方放置安装板。
- 把每个螺钉分别插入左、右安装板压板合适的条形孔内，注意安装板压板方向。
- 把螺钉插入安装板和座便器的安装孔内。
- 移动左、右安装板压板，使之置于安装板上对应的凹槽内。
- 在每个螺钉上拧上螺母，用手拧紧螺母。



5. 安装座便盖

- 对正座便盖底部和安装板之间的卡槽，把座便盖在座便器座圈面上向水箱方向移动，当听到咔嚓声说明安装完成。

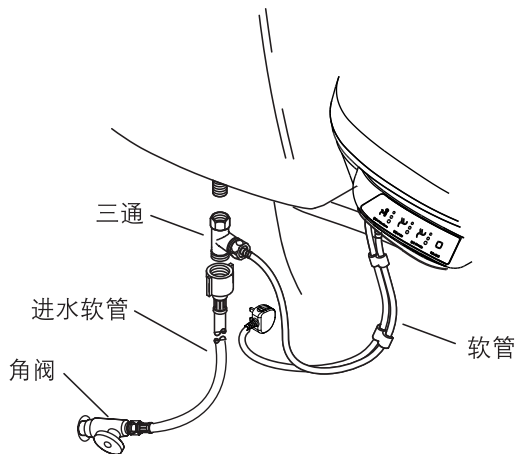
注意：安装板可能需要调节来完全地对准座便器相对位置。

对有螺纹孔的座便器：

- 要调节座便盖位置，如有必要可以移除座便盖，重新调节安装板的位置。
- 一旦座便盖位置确定，移除座便盖，牢固的拧紧安装板。
- 重新安装座便盖。

对其他座便器：

- 要调节座便盖的位置，不需移除座便盖，只需拧紧螺母，即可摆动调节座便盖及安装板的位置，当位置适当，直接拧紧螺母即可，不必担心螺钉会跟转。

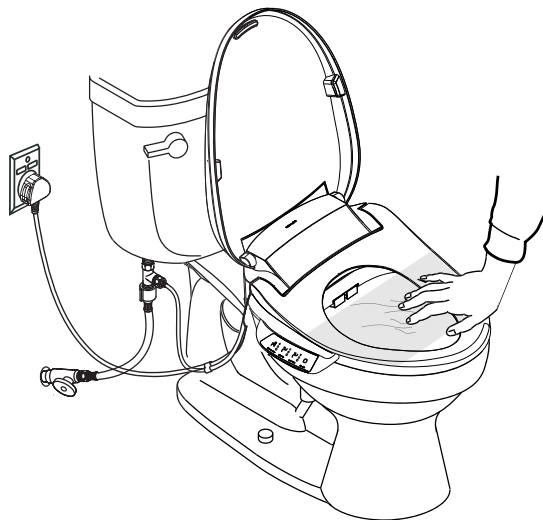


6. 连接供水系统

重要！产品损坏的危险。小心对正进水管与座便盖的螺纹，不要破坏螺纹或过于拧紧接头。为了牢固的拧紧接头，用手拧紧后用工具再拧紧1/4圈。

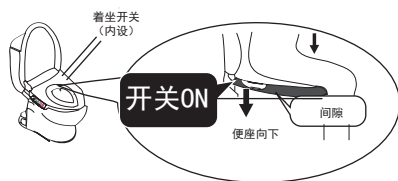
重要！产品损坏的危险。小心不要刮伤产品表面。

- 直接将三通与座便器进水管口相连。
注意：对新安装的管路系统，在将进水软管连接至三通以前，须直接排水数秒，以清除管道内沙石、污垢等。
- 用提供的软管连接三通和座便盖。
注意！必须使用随器具附带的新软管组件，旧软管组件不能重复使用。
- 把三通与供水系统相连(角阀需客户自行购买)。
- 打开供水系统。
注意！一定要先彻底冲洗供水管以清除管道中的杂质，使用水源为饮用自来水，切勿使用工业用水、废水、污水以及海水。
- 检查所有连接是否有漏水，如果需要可做调整。



7. 连接电源及安装检查

- 确认进水阀是否已打开。
- 用塑料布包裹在座圈上，防止测试时水喷出。
- 把电源线插上电源插座，座便盖发出短蜂鸣1次，喷管伸缩1次，侧键盘上背光灯，直至初始化结束。
- 在软管和电源线间扣上线夹。
- 座圈设计为落座感应模式。为了激活座圈达到测试的目的，首先面对座便器，然后用手按住座圈右边离前端大约1/2处，听到座圈右边转轴处发出“咯嗒”一声（重力感应）。



- 坐得不深的话，有可能没有接通着座开关。

须知



- 体重轻的儿童在使用时，接通着座开关会比较难。
- 因为便座是上下移动的构造，所以便座缓冲垫和便器间设计有间隙。
- 继续参考用户手册中的“使用方法”部分来测试产品的不同功能。