

# K-19047T

## 艾思格尔时尚脸盆 ESCALE VESSEL



釉面陶瓷时尚脸盆  
VITREOUS CHINA VESSEL  
切割图/安装说明书  
CUT-OUT TEMPLATE / INSTALLATION INSTRUCTION

### 安装之前 重要事项！

- 遵守当地所有给排水及建筑规定。
- 关闭供水。
- 检查污水管及供水管。如有需要请更换。
- 艾思格尔时尚脸盆由釉面陶瓷制成，在预先开口的台面上进行安装。
- 安装之前，开启新脸盆的包装，仔细检验脸盆是否有损坏，再将脸盆放回包装盒内，到安装时才取出。
- 如果只是更换脸盆，请确保现有的台面开口不大于新脸盆所需开口的尺寸。
- 在拆除旧脸盆之前请先仔细阅读这些说明。安装新脸盆之前，请检查你是否已拥有完成安装所必须的全部材料。这将有助于避免昂贵的损失。
- 本说明书所含一切资料，均以印刷时所有的最新产品为准。科勒公司保留随时更改产品特性，包装或供应情况的权利，恕不另行通知。
- 此说明书包括重要的护理、清洁及保修资料请将此说明书交用户留存。
- 安装人员：此说明书为用户所有，必须与产品保存在一起，以备维护及操作参考之用。

### 安全：警告

科勒产品经过精确制造，性能卓越，经久耐用。为保证产品质量，您必须：

- 按照此手册中推荐的方法进行安装、启动、操作及维护。
- 如有需要，定期检查，令产品保持良好性能状态。日常维护章节中列有推荐方法。

仔细检查新产品是否有损伤。

在安装科勒产品时，必须遵循制造商有关电气安全的指令。

### 推荐工具及材料（不随货供应）

- 安装模板(已提供)
- 护眼镜
- 铅笔
- 卷尺
- 涂油灰刀
- 匙孔线锯或手提电锯
- 密封胶
- 剪刀
- 喉管扳钳
- 电钻(带13毫米(1/2英寸)或更大直径钻头)
- 活动扳钳
- 切管刀
- 钢锯

### 管道连接

热水(H)及冷水(C)入水口必须连接至正确的进水管。

### BEFORE YOU BEGIN IMPORTANT !

- Observe all local plumbing and building codes.
- Turn off the water supply.
- Inspect the drainage and supply tubing. Replace if necessary.
- The Escale Vessel is a vitreous china washbasin, designed for installation into a pre-cut counter.
- Prior to installation, unpack the new lavatory and carefully inspect it for damage. Return the lavatory to its protective carton until you are ready to install it.
- For replacement installations, make sure the existing cutout is the same or smaller size as the new lavatory.
- Carefully read these instructions before you attempt to remove your old lavatory. Before installing your new lavatory, make sure you have the proper materials necessary to complete the job. This will help you avoid costly mistakes.
- All information in these instructions is based upon the latest product information available at the time of publication. Kohler China reserves the right to make changes in product characteristics, packaging, or availability at any time without notice.
- These instructions contain import care, cleaning, and warranty information please leave these instructions for the consumer.
- Installer: This manual is the property of the customer and must be retained with the product for maintenance and operational purposes.

### SAFETY: WARNINGS

Kohler products are precision-engineered and should give continued superior and safe performance, provided:

- They are installed, commissioned, operated and maintained in accordance with the recommendations given in this Manual.
- Periodic attention is given, as necessary, to maintain the product in good functional order. Recommended guidelines are given in the MAINTENANCE section.

Carefully inspect the new fixture for any signs of damage.

When installing Kohler Products, manufacturers guidelines for power tool safety should be followed.

### RECOMMENDED TOOLS AND MATERIALS (Not Supplied)

- Template(supplied)
- Safety Glasses
- Pencil
- Tape Measure
- Rutty Knife
- Keyhole Saw or Saber Saw
- Sealant
- Scissors
- Pipe Wrench
- Drill with 1/2" (130mm) or larger drill bit
- Adjustable Wrench
- Tubing Cutter
- Hacksaw

### PLUMBING CONNECTIONS

Hot (H) and Cold (C) inlets must be connected to the correct inlet pipes.

### 安装脸盆

- 将安装切割图固定在台面上，并用铅笔沿切割图轮廓划线。
- 移开切割图，使用合适的电动工具(如手提电锯)在台面上切割开口。
- 在台面开口的底部涂上一层罩面漆，请按制造商的说明书进行操作。

4. 安装供水管道。  
注意！安装冷热供水管时必须使用隔离阀。

- 根据制造商说明书，在脸盆边缘下列涂抹密封胶。
- 将脸盆小心地放入台面开口。
- 擦去多余的密封胶。

### 安装管道

- 根据制造商说明书安装排水。

- 小心！请确保所有脸盆排水的连接处都装有防水密封胶。
- 小心！管道连接处需留有检修空间，以备日后管道维护之用。

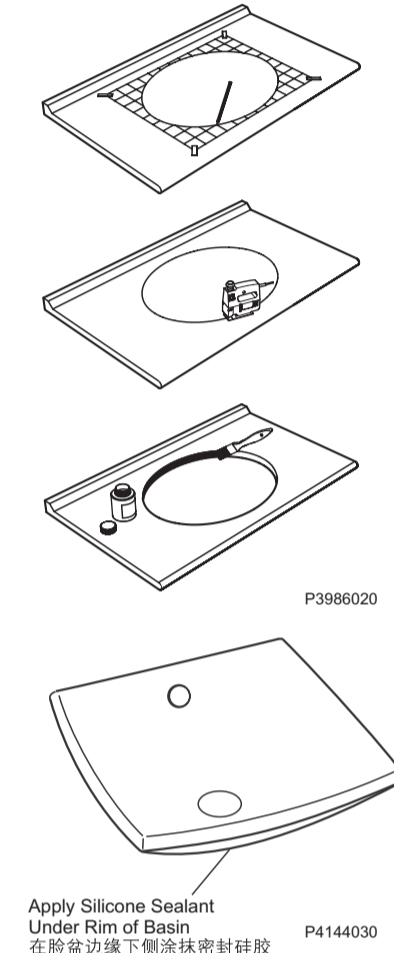
- 连接冷热供水管。
- 打开冷热水阀门，检查供水管接头处是否有渗漏。
- 打开龙头放水入脸盆，检查排水接头处是否有渗漏。
- 打开龙头放水入脸盆，检查排水接头处是否有渗漏。

### 用户须知 (护理和清洁)

为保持脸盆光洁如新，须确保每次使用后彻底冲洗干净，切勿使用腐蚀性的清洁剂，以免刮花及破坏脸盆的表面。要清除顽固污垢，油漆或柏油，可使用松油或油漆稀释剂。

不要在0°C以下的水环境中使用。

- 警告：请勿使用钢丝球等硬质材料擦洗产品表面，特别是产品商标处。



### INSTALL THE WASHBASIN

- Secure the installation template to the counter and mark around the template with a pencil.
- Remove the template and cut a hole in the counter with a suitable power tool (jigsaw etc.).
- Coat the underside of the cutout with a suitable varnish, in accordance with the manufacturer's instructions.
- Install the services.

Note! The hot and cold water supplies must be installed with isolating valves.

- Apply silicone sealant in accordance with the manufacturer's instructions, under the rim of the washbasin.
- Carefully position the washbasin into the cutout.
- Remove any excess silicone sealant.

### INSTALL THE PLUMBING

- Install the drain in accordance with the manufacturer's instructions.
- Connect the hot and cold water supplies.
- Open the hot and cold water valves and check the supply connections for any leaks.
- Run water into the washbasin and check the drain connections for any leaks.

- CAUTION! Make sure a watertight seal exists on all washbasin drain connections.
- CAUTION! Provide access to the plumbing connections for future plumbing maintenance.

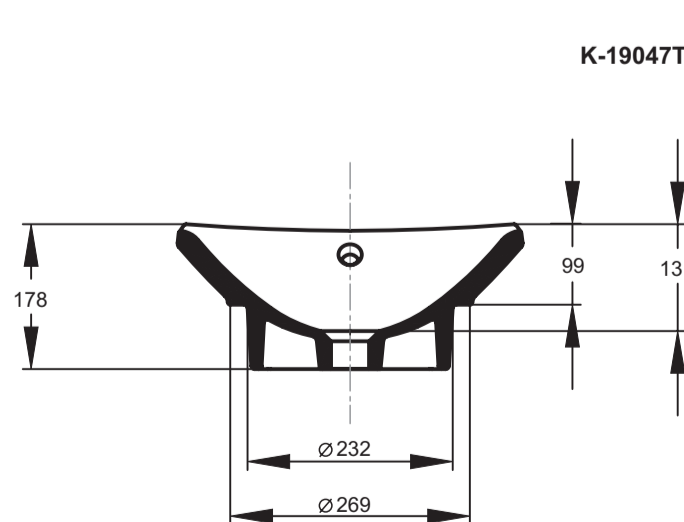
### IMPORTANT CONSUMER INFORMATION (CARE AND CLEANING)

To keep your lavatory looking new, make sure you rinse it out thoroughly after each use. DO NOT USE ABRASIVES on this product, as they will scratch and ruin the surface. Stubborn stains, paint, or tar can be removed with turpentine or paint thinner.

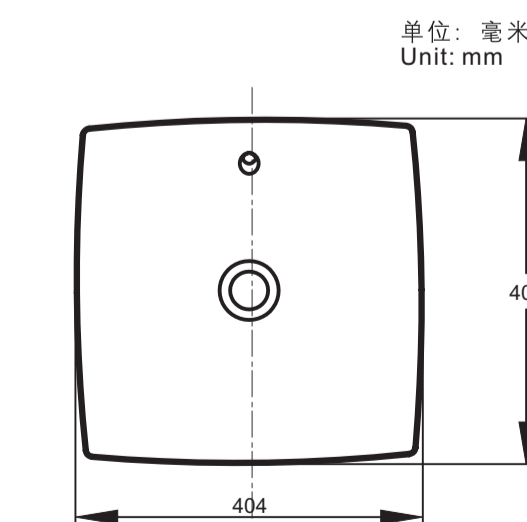
Do not use the product in the water below 0°C.

- CAUTION: Please do not use hard materials (like scouring pad) to clean product surface, especially the product logo.

### 尺寸图



### ROUGHING-IN



单位：毫米  
Unit: mm

When plotting template full size: Make sure horizontal and vertical dimensions match the dimensions labeled on the template. 按实际大小标绘切割图时：确保横向及纵向尺寸与切割图上所标尺寸一致。