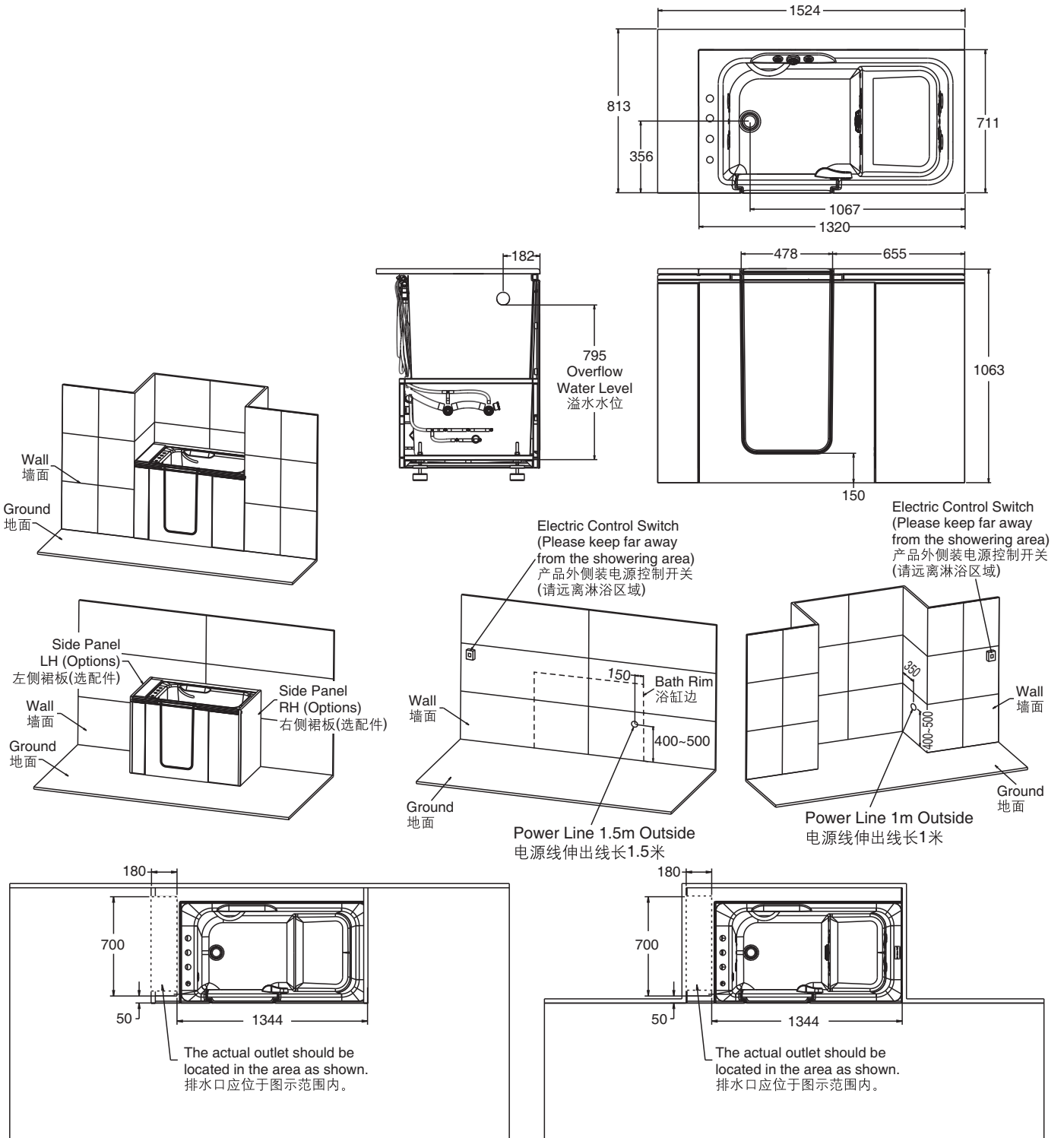


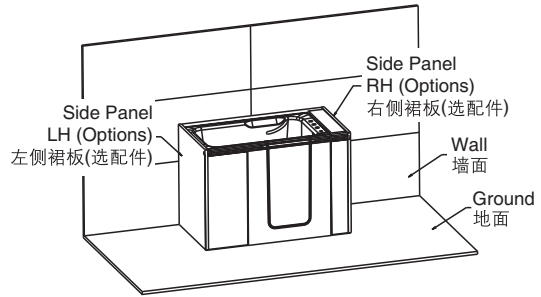
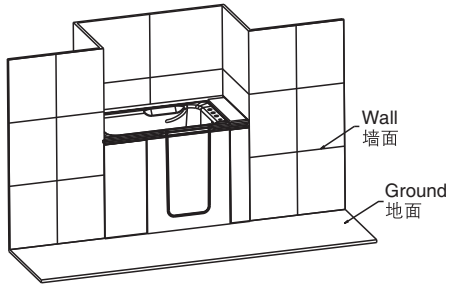
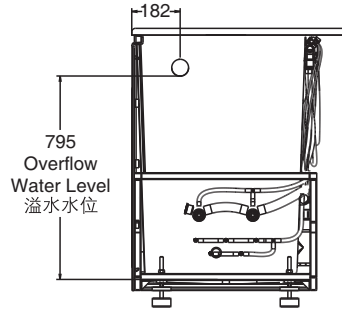
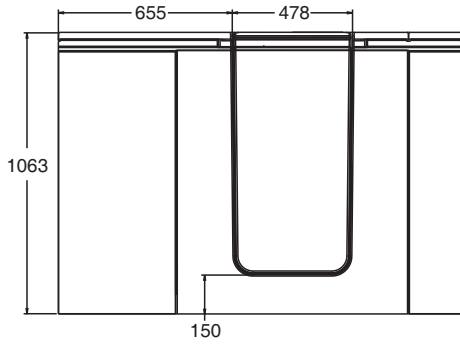
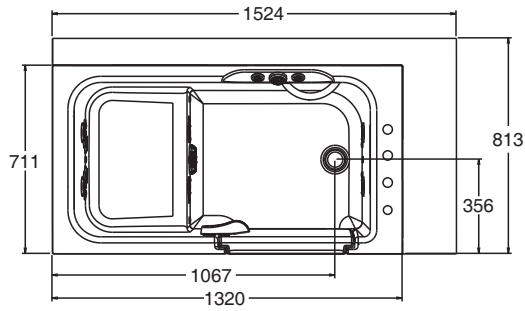
BELAY WALK IN WHIRLPOOL, US 贝灵1.3m步入式按摩浴缸(台阶150mm版)

LH(左开门) K-23769T-LCP
RH(右开门) K-23769T-RCP

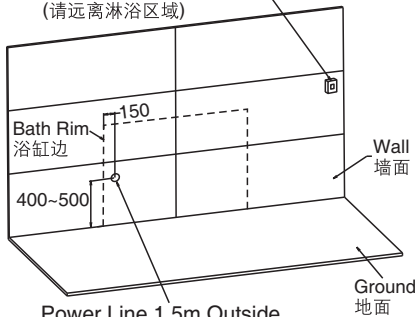
ROUGHING-IN 产品尺寸图 (Unit:mm) (单位:毫米)



K-23769T-LCP
Installation Roughing-in
左开门安装尺寸图

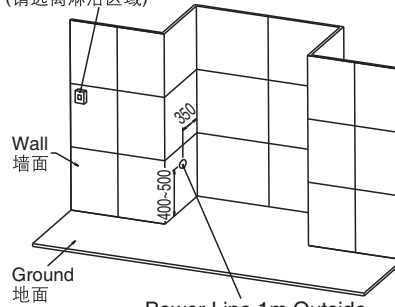


Electric Control Switch
(Please keep far away
from the showering area)
产品外侧装电源控制开关
(请远离淋浴区域)

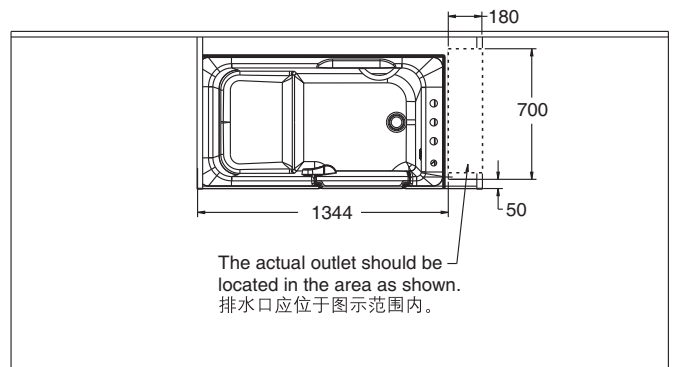
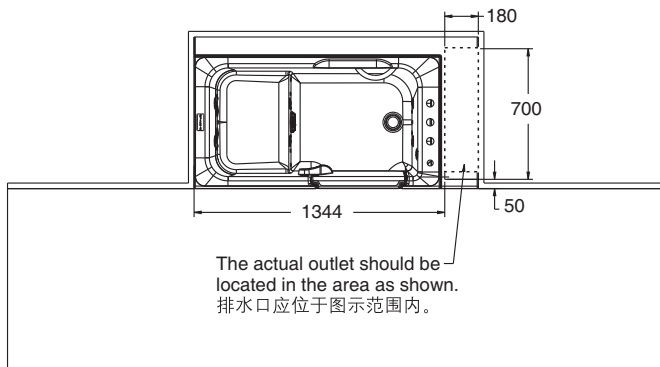


Power Line 1.5m Outside
电源线伸出线长1.5米

Electric Control Switch
(Please keep far away
from the showering area)
产品外侧装电源控制开关
(请远离淋浴区域)



Power Line 1m Outside
电源线伸出线长1米



K-23769T-RCP
Installation Roughing-in
右开门安装尺寸图

PRODUCT INFORMATION 产品信息

Dedicated branch circuit required, protected with Class A Ground-Fault Circuit-Interrupt (GFCI). Prepare a circuit of 220V~240V, 20A for the use of bath. 需要专用的分支电路, 并以A级接地故障断路器(GFCI)保护。请使用一条220V~240V, 20安培以上专用电路供浴缸使用。	
Rated Current I _{pnut} 额定输入电流	220V (伏特), 11.8A (安培), 50Hz (赫兹)
Water Depth 深度 (To Overflow Hole Bottom 至溢水口底部)	795mm (毫米)
Capacity 水容量 (To Overflow Hole Bottom 至溢水口底部)	363L (升)
Basin Area 底部面积	1044mm (毫米) × 521mm (毫米)
Top Area 顶部面积	1117mm (毫米) × 582mm (毫米)

Installation Notes 安装要点

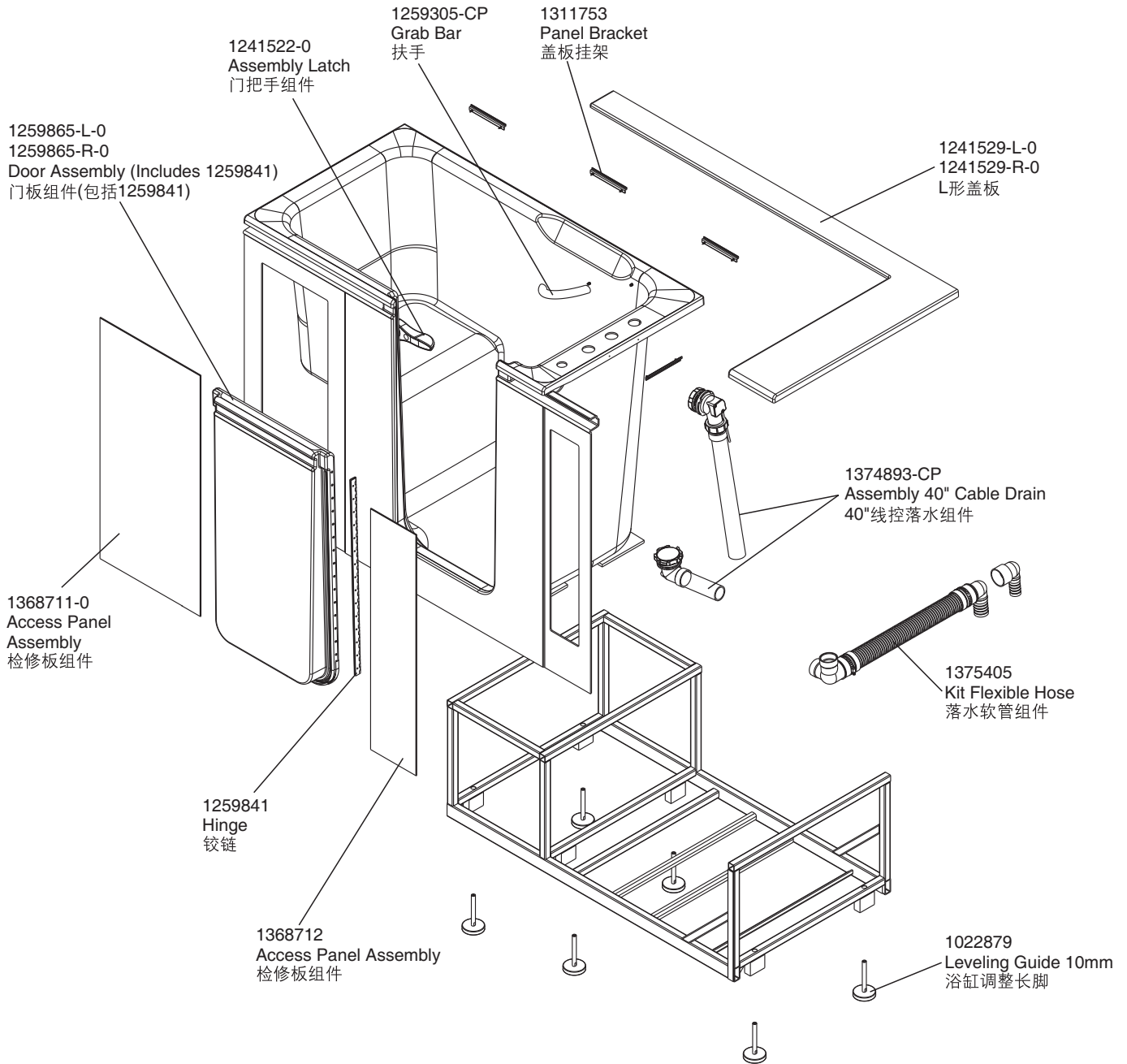
- Refer to installation instruction included with fixture before beginning installation.
- 开始安装前请参考浴缸包装中的安装说明书。
- Unless otherwise specified floor support under bath must provide for a minimum of 800kg loading (including the weight of bathtub, water and one user).
- 除非另有说明, 否则浴缸下地面必须至少可以承载800kg的负载(包含浴缸、水及一名使用者的重量)。

Included Accessory Information 包含配件信息

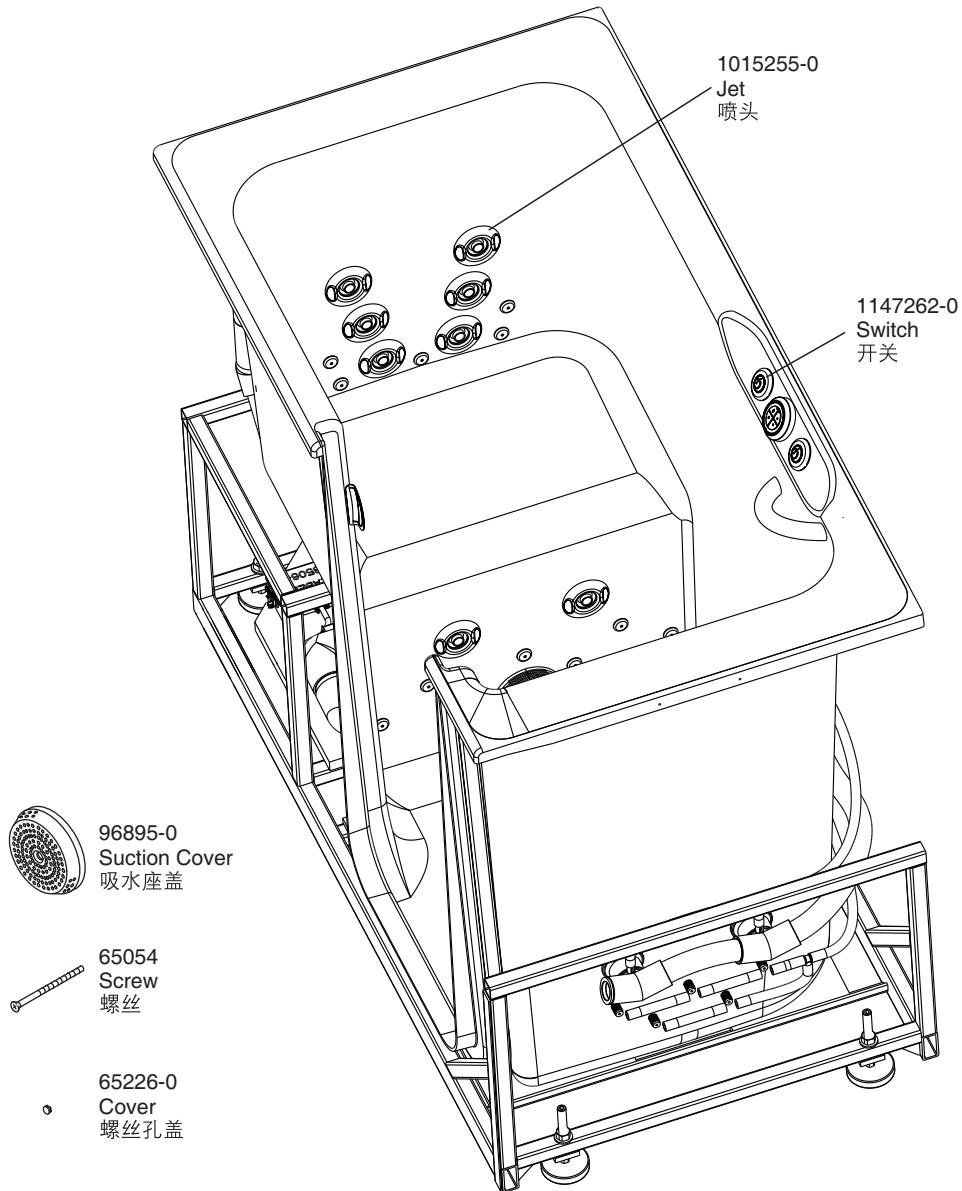
Assembly 40" Cable Drain 40"线控落水组件	1374893-CP
Kit Flexible Hose 落水软管组件.....	1375405

Optional Accessory Information 可选配件信息

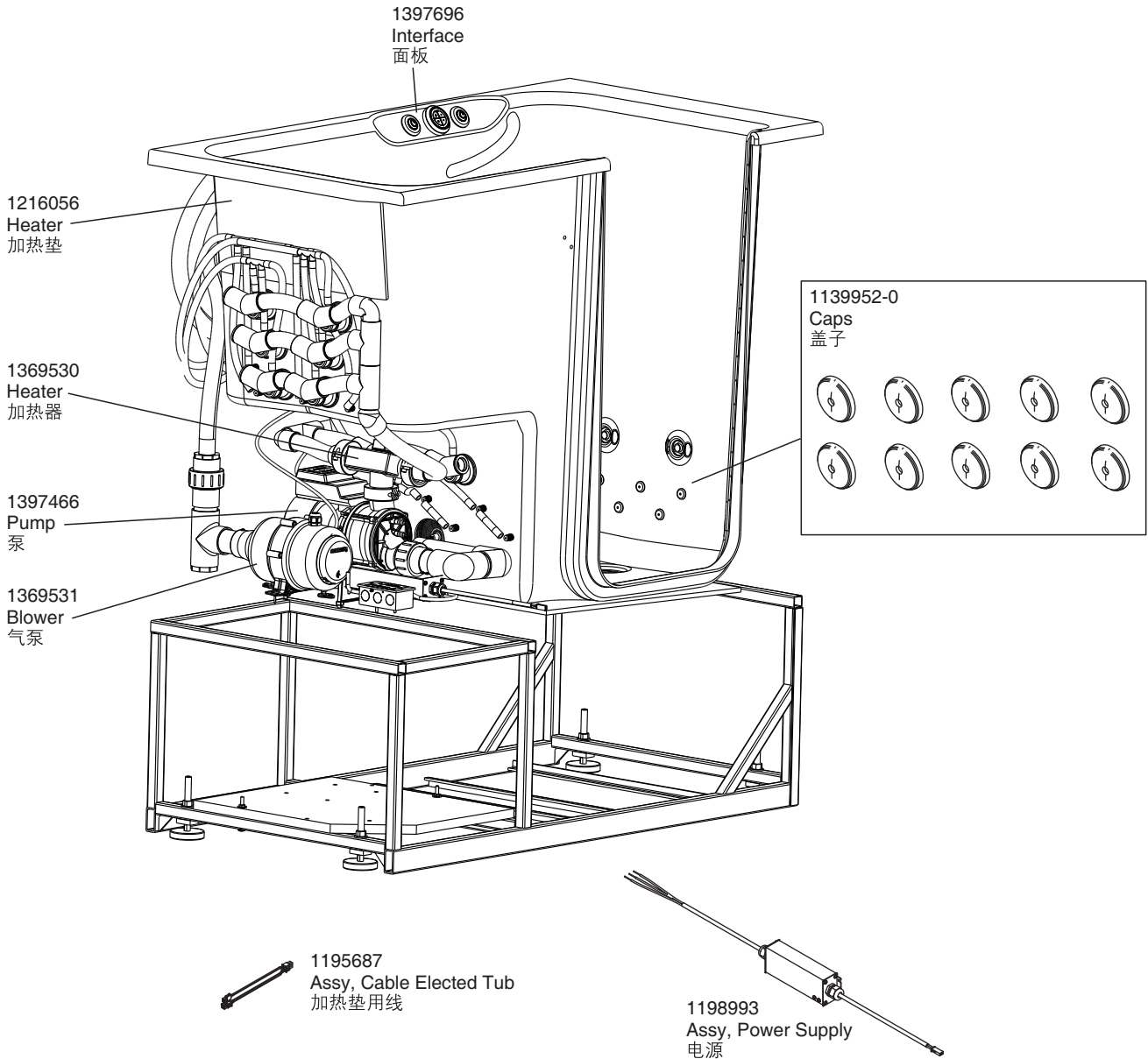
ALEO S 4 Hole Deck Mount Bath Shower FCT 利奥4孔缸边式浴缸花洒龙头(致巧款)	K-31236T-4-*
Renew Slidebar, 24" 氧沐60cm滑动花洒支架	K-98342T-*
Bracket Pannel 托架	K-23772T-0
Side Panel LH 左侧裙板	K-23770T-L-0
Side Panel RH 右侧裙板	K-23770T-R-0
Frame Side 侧支架	K-23771T-0



Color code (-*) must be specified when ordering.
 订购时请说明颜色代码(-*)



Color code (-*) must be specified when ordering.
订购时请说明颜色代码(-*)



Color code (-*) must be specified when ordering.
 订购时请说明颜色代码(-*)