



Ludington®

32" undermount single-bowl kitchen sink

20022

Features

- Single bowl
- 9-9/16" (243 mm) depth provides generous workspace
- 3-3/4" (94 mm) drain opening
- 36" (914 mm) minimum base cabinet width
- SilentShield® sound-absorption technology offers quieter performance
- No faucet holes; requires wall- or counter-mount faucet
- Sink drain with strainer sold separately
- Silicone sink mat sold separately

Material

- Premium 18-gauge stainless steel with stain finish

Installation

- Undermount

Recommended Products/Accessories

7400 Stainless Steel Sink Drain and Strainer
20285 Silicone sink mat
K-23726 Drain treatment
K-23729 Stainless steel cleaner

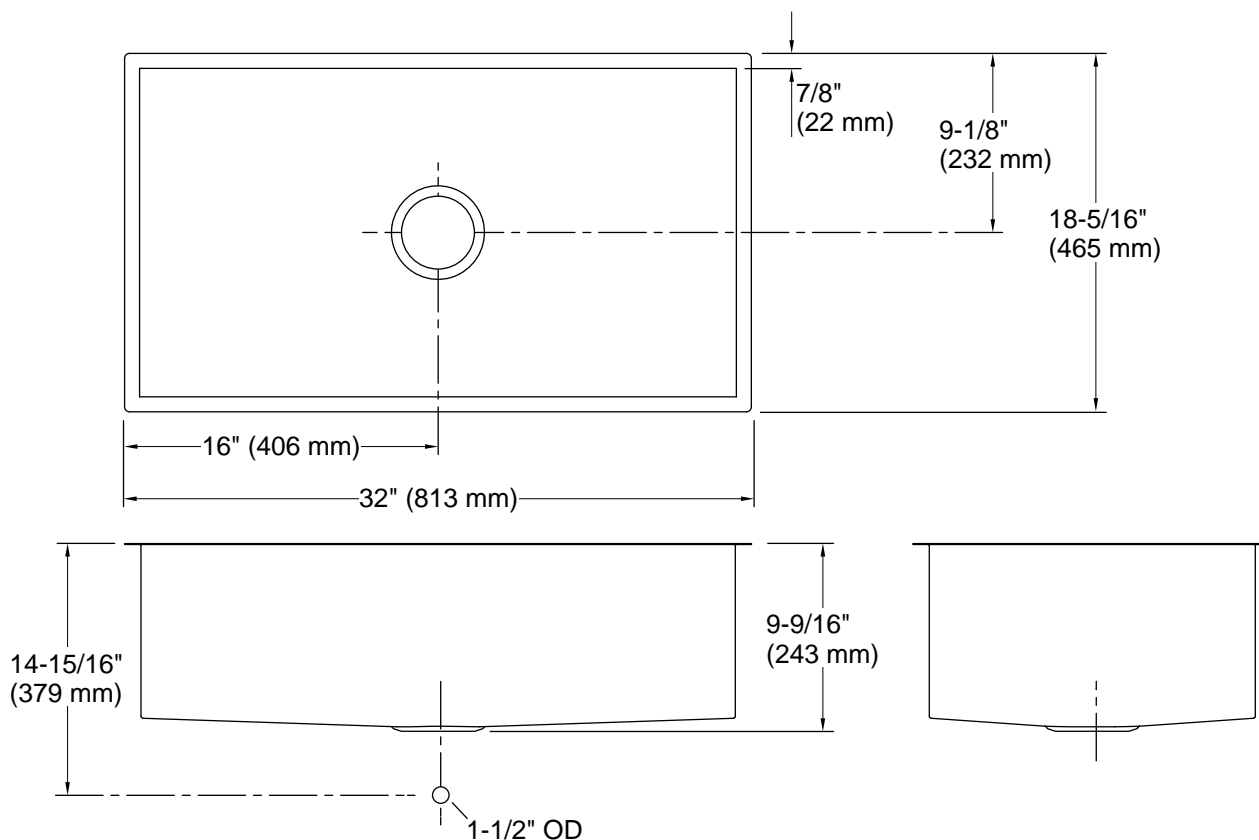


Codes/Standards

ASME A112.19.3/CSA B45.4
IAPMO Certification

STERLING® Stainless Steel Sinks Lifetime Limited Warranty

See website for detailed warranty information.



Technical Information

All product dimensions are nominal.

Basin configuration: Single Bowl

Min. base cabinet width: 36" (914 mm)

Bowl area (Only): Length: 30-1/4" (768 mm)
Width: 16-9/16" (420 mm)
Bowl depth: 9-1/16" (231 mm)
Water depth: 9-1/16" (231 mm)

Drain hole: 3-3/4" (94 mm)

Template: Undermount, 1298947-7, required, included

Notes

Install this product according to the installation instructions.

Countertop manufacturer or cutter must use the cut-out template provided with the product, or a current one provided by Kohler Co. (call 1-800-43-FOCUS). Kohler Co. is not responsible for cut-out errors when the incorrect cut-out template is used.