

### BEFORE YOU BEGIN

- Observe all local plumbing and building codes.
- Prior to installation, unpack the new lavatory and inspect it for damage. Return the lavatory to its protective carton until you are ready to install it.
- These instructions are for installing the lavatory to wood frame construction. For other installation, supply suitable bracing and fastening devices of sufficient size and strength.
- The walls and floor must be square, plumb, and level.

**CAUTION:** Lavatory must be installed with either the pedestal or half pedestal. It must not be installed alone.

- Kohler lavatory is made according to American National Standard that it can match the American lavatory fittings. Any other lavatory fittings may not fit for kohler lavatory.

### 安装之前

- 遵守当地所有给排水和建筑规定。
- 安装之前先开启新脸盆的包装，检查有无破损后放回纸箱中以免碰坏，到准备安装时才取用。
- 以下安装指引适用于安装脸盆于木框结构之中，其他的结构需另置合适尺寸和强度的支撑及紧固装设配套。
- 墙壁和地板必须方正、平整和水平。

**警告:** 脸盆必须有立柱或半柱支撑，不可单独安装。

- 科勒洗脸盆是根据美国标准制造的，与美式洗脸盆配件相配。其它洗脸盆配件可能与之不相配。

### ROUGHING-IN

(S) Supply (Based on 305mm (12") riser which may require cutting).

K-2017T-1/-4, K-11341T-1/-4=254mm (10");

K-2017T-8, K-11341T-8=356mm (14").

(T) Pop-up drain typically 356mm (14"); drain typically 333mm (13-1/8").

Fixture dimensions are nominal and conform to tolerances in ASME Standard A112.19.2M.

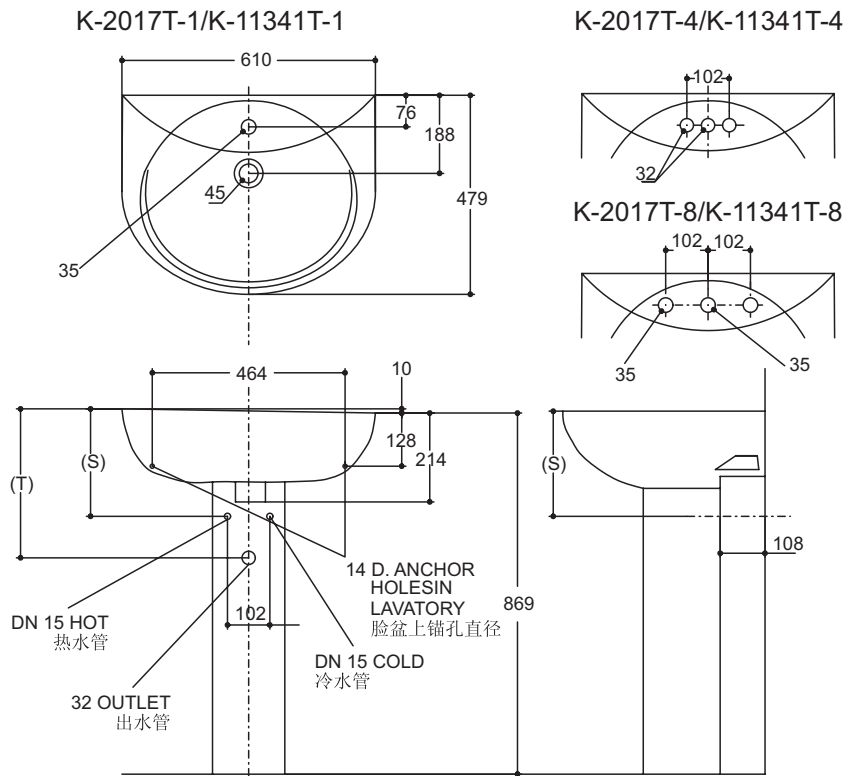
(S)供水管(根据305mm冒口而定，可能需切短)

K-2017T-1/-4, K-11341T-1/-4=254mm (10");

K-2017T-8, K-11341T-8=356mm (14").

(T) 凸出排水管一般为356mm；排水管则为333mm。

部件尺寸为标定值，误差符合美国机械工程师学会(ASME)标准A112.19.2M。



UNIT: mm  
单位: 毫米

Fig. #1  
图1

广东省佛山市三水区乐平镇第二工业区  
佛山科勒有限公司 邮编: 528137

K-11341T-1/4/8

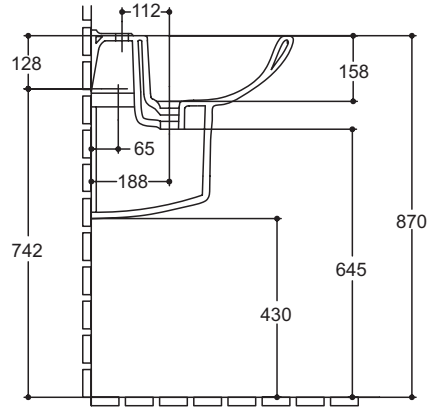


Fig. #2  
图2

**TOOLS AND MATERIALS REQUIRED  
(Not Supplied)**

- Level
- Drill with assorted bits
- 14mm(9/16") Wrench
- Tape measure
- Framing square
- Channel lock pliers
- Socket wrench with 203mm (8") extension & assorted sockets

**所需工具及材料  
(不随货供应)**

- 水平尺
- 带配套钻头的钻
- 14mm板钳
- 卷尺
- 定位直尺
- 锁钳
- 接头板钳附有203mm把手及接头配套

**MATERIALS REQUIRED (Not Supplied)**

- 2 screws, 2 bolts and 2 caps suitable to secure shroud to wall.
- 6 Lag bolts and 6 washers suitable to secure hanger to wall.

**Note:** Materials required may differ depending on type of substrate.

**所需物料(不随货供应)**

- 在墙上安装半柱用的螺钉、螺栓、螺帽各2枚。
- 在墙上安装悬挂架用的螺栓、垫圈各6枚。

**注意:** 需要视乎墙壁或地面的用料而使用不同的螺栓及垫圈。

**ACCESSORIES INCLUDED WITH  
PRODUCT**

- 63069 Leveling Pads
- 64839 Hanger
- 52204 Ped. Lav Access Pack

Additional accessories other than those provided may be required for installation.

**随货供应的配件**

- 63069 水平垫
  - 64839 悬挂架
  - 52204 立柱安装配件
- 安装时或需要不随货供应之额外配件。

# INSTALLATIONS

# 安装

## INSTALLATION K-2017T-1/-4/-8

- Rough-in the supplies and the drain piping.

**NOTE:** The supply stop handles cannot extend more than 76mm (3") from the finished wall when in the open position.

- Install sufficient backing behind the finish wall to provide a secure material for the anchoring devices.
- Apply two self-adhesive leveling pads (provided) to each of the three ridges in the bottom recess of the lavatory.

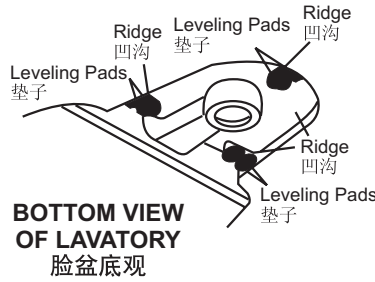


Fig. #3  
图3

## 安装K-2017T-1/-4/-8

- 画出供水及排水管道的坑距。

**注意:** 供水开关手柄在旋开位置时, 距离完工墙面不得超过76mm。

- 要在完工墙后加上安装足够的支撑, 为锚固装置提供牢靠的基础。
- 在脸盆底部三边的凹沟中各贴上两个自粘水平垫子(已提供)。

- Mark the centerline on the floor.
- Position the pedestal on the floor centerline.
- Carefully set the lavatory on the pedestal.
- Move the pedestal as required to ensure proper fit in the desired location.
- Level the lavatory. Add more self-adhesive gaskets as needed to level the lavatory.

**NOTE:** The lavatory must be supported by the pedestal.

- Check the lavatory placement.
- Mark the center of each anchoring hole on the wall, and mark the floor through the hole in the pedestal bottom.
- Carefully remove the lavatory from the pedestal. Then move the pedestal from the area.

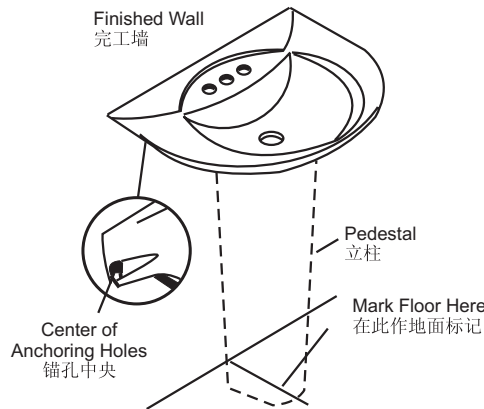


Fig. #4  
图4

- 在地面上画出中心线标记。
- 把立柱放在地面中心线位置上。
- 小心地将脸盆安放在立柱上。
- 必要时移动立柱, 以确保位置恰当。
- 调平脸盆, 如有需要, 可使用更多的自粘垫子, 以便持平。

**注意:** 脸盆必须由立柱支撑。

- 检查脸盆是否安放正确。
- 在墙上标出每个锚孔的中心位置, 并通过立柱底部的孔, 在地面上作出标记。
- 小心地从立柱上移开脸盆, 再将立柱搬开。

- Drill a 6mm (1/4") mounting hole at the mark on the floor, then drill two 6mm (1/4") hanger bolt holes at the marks on the wall.
- Mount hanger bolts to the wall so approximately 32mm (1-1/4") of each bolt remains exposed. For masonry applications, use suitable anchors.

**NOTE:** Other fastening devices of sufficient size and strength may also be used.

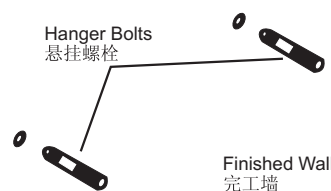


Fig. #5  
图5

- 在地面标记处钻一个6mm的安装孔, 然后再在墙上标记处钻两个6mm的悬挂螺栓孔。
- 将悬挂螺栓安装在墙上, 并使每个螺栓保持外露约32mm。若需安装在水泥上, 请用合适的塞子。

**注意:** 也可使用其它具有足够尺寸及强度的坚固装置。

- Install the faucet and drain to the lavatory according to the manufacturer's instructions.

**NOTE:** Do not fully tighten slip-joint drain connections at this time.

- 按照制造商之指引, 将水龙头及排水管道安装在脸盆上。

**注意:** 此时勿将滑动排水连接器完全上紧。

- Position the pedestal mounting hole over the hole in the floor.
- Secure the pedestal to the floor with the screw and washer. Tighten the screw until it is snug. For masonry applications, use suitable anchor.

**CAUTION: Risk of product damage.** Do not overtighten. Overtightening may cause damage to the product.

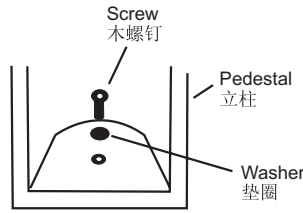


Fig. #6  
图6

- 把立柱安装孔对准地面的孔。
- 用螺钉及垫圈将立柱固定在地面上，上紧螺钉直至贴合为止。若需安装在水泥地上，请用合适的塞子。

**小心：有产品损坏之危险。**螺钉不要上得过紧，否则可能损坏产品。

- Set the lavatory on the pedestal so the bolts extend through the lavatory holes.
- Level the lavatory.
- Install the cap nuts and washers, and tighten until snug.

**CAUTION: Risk of product damage.** Do not overtighten the cap nuts. Overtightening may cause damage to the product.

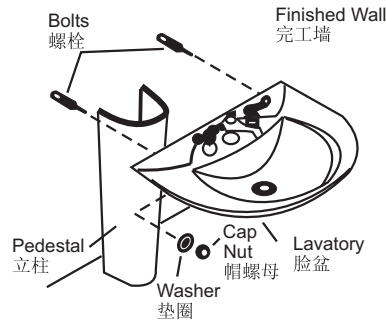


Fig. #7  
图7

- 将脸盆放于立柱上，使螺栓穿过脸盆的孔。
- 调平脸盆。
- 安上帽螺母及垫圈，将之上紧直至贴合为止。

**小心：有产品损坏之危险。**不要把螺母上得过紧，否则可能损坏产品。

- Connect and tighten the trap. Connect the hot and cold water supplies to the faucet.

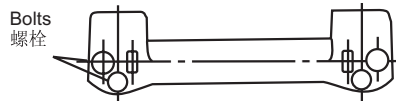
- 联接并上紧弯管，同时将热水及冷水管接上水龙头。

## INSTALLATION K-11341T-1-4/-8

- Rough-in the supplies and the drain piping and trap.

**NOTE:** The supply stop handles cannot extend more than 76mm (3") from the finished wall when in the open position.

- Install sufficient backing behind the finished wall to provide a secure material for the anchoring devices.
- Install hanger to wall according to roughing-in dimensions. For masonry applications, use suitable anchors.



Hanger  
悬挂架

Fig. #8  
图8

## 安装K-11341T-1/-4/-8

- 画出供水管及排水管道有弯管的坑距。

**注意：**供水开关手柄在旋开位置时，距离完工墙面不得超过76mm。

- 要在完工的墙后安装足够的支撑，为锚固装置提供牢靠的基础。
- 按照坑距尺寸把悬挂架安装在墙上，若需安装在水泥上，请用合适的塞子。

- Mark the centerline (along the hanger) on the wall and set the lavatory on the hanger along the centerline, then level the lavatory.
- Mark the mounting holes on the wall, then remove the lavatory carefully.
- Drill two 6mm (1/4") hanger bolt holes on the wall.
- Mount hanger bolt to the wall so approximately 32mm (1-1/4") of each bolt remains exposed. For masonry applications, use suitable anchors.

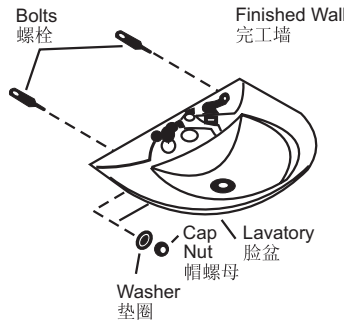


Fig. #9  
图9

- 在墙上画出(沿悬挂架)中心线并将面盆沿中心线安放在悬挂架上，调整位置使其水平居中。
- 在墙上标出锚孔位置，然后小心移开脸盆。
- 在墙上标出钻2个6mm悬挂螺栓孔。
- 将悬挂螺栓安装在墙上，并使每个螺栓保持外露约32mm。若需安装在水泥上，请用合适的塞子。

**注意：**也可使用其他具有足够尺寸及强度的坚固装置。

**NOTE:** Other fastening devices of sufficient size and strength may also be used.

- Install the faucet and drain to the lavatory according to manufacturer's instruction.

- 按制造商要求，将水龙头及排水管装于脸盆上。

**NOTE:** Do not fully tighten slip-joint drain connections.

**注意：**勿将滑动排水连接器完全上紧。

- Install the lavatory, so the bolts extend through the lavatory holes.
- Level the lavatory.
- Install the cap nuts and washers, and tighten until snug.

- 安装脸盆，使螺栓穿过脸盆的孔。
- 调平脸盆。
- 安上帽螺母及垫圈，将之上紧直至贴合为止。

**CAUTION: Risk of product damage.** Do not overtighten the cap nuts. Overtightening may cause damage to the product.

**小心：有产品损坏之危险。** 螺钉不要把螺母上得过紧，否则可能损坏产品。

- Connect and tighten the trap. Connect the hot and cold water supplies to the faucet.

- 联接并上紧弯管，同时将热水及冷水管接上水龙头。

- Position the shroud along the wall centerline and make sure the top of shroud integrates closely with the bottom of lav.
- Mark on the wall through the holes of the shroud, then remove the shroud.
- Drill two 6mm (1/4") hanger bolt holes at the mark on the wall.
- Mount hanger bolts on the wall. For masonry applications, use suitable anchors.
- Position the shroud over the bolts, and secure it to the wall with the screws and caps.

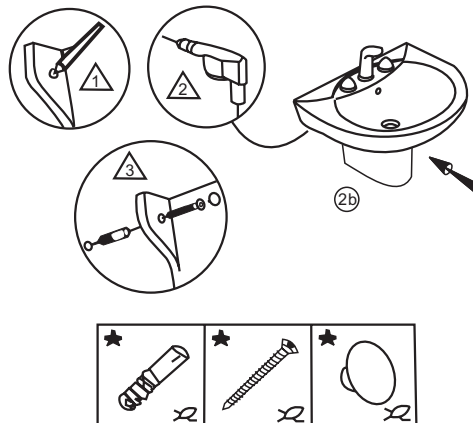


Fig. #10  
图10

- 将半柱沿中心线放好，确保半柱顶部与脸盆底部尽量吻合。
- 通过半柱孔做好标记并移走半柱。
- 在墙上钻2个6mm悬挂螺栓孔。
- 将悬挂螺栓装于墙上，若需安装在水泥上，请用合适的塞子。
- 将半柱对准螺栓并且用螺钉将其固定在墙上装上螺帽。

## IMPORTANT CONSUMER INFORMATION

## 用户须知

### CARE AND CLEANING

To keep your lavatory looking new, make sure you rinse it out thoroughly after each use. **DO NOT ABRASIVES** on this product, as they will scratch and ruin the surface. Stubborn stains, paint, or tar can be removed with turpentine or paint thinner.

### 护理和清洁

为保持脸盆光洁如新，须确保每次使用后彻底冲洗干净，**切勿使用腐蚀性的清洁剂**，以免刮花及破坏脸盆的表面。要清除顽固污垢，油漆或柏油，可使用松油或油漆稀释剂。

## LIMITED ONE-YEAR WARRANTY

## 一年有限担保

### Plumbing Fixtures and Fittings Limited One-year Warranty

### 陶瓷及浴缸产品及配件担保——一年有限担保

Kohler plumbing fixtures and fittings are warranted to be free of manufacturing defects.

科勒公司担保其陶瓷及浴缸产品及配件在制造工艺上无瑕疵。

This product is warranted for one year from date of purchase. Kohler China will be responsible for any problems caused by manufacturing defects provided with the invoice. Kohler China will, at its election, repair, replace or make appropriate adjustment where Kohler China inspection discloses any such defects occurring in normal usage within one year after purchase.

本产品自购买之日起即获得本公司一年的质量保证。在质保期内，凭购货发票，科勒公司将免费承担由制造质量引起的任何问题。经核查后，科勒中国有限公司有权决定是修理、更换、还是作适当的调整。

Implied warranties including that of merchantability and fitness for a particular purpose are expressly limited in duration to the duration of this warranty, Kohler China disclaims any liability for special, incidental or consequential damages. Damages to the product caused by misuse, abuse and installation that is not in accordance with the owner's manual are not covered by this warranty.

这里所指的担保，包括产品，都已明确地限制在该担保期之内。科勒中国有限公司对其后出现的损坏不负有任何责任。担保也不包括外观损伤、使用不当以及未按说明书安装的损失。

To obtain quick warranty service, please contact your dealer, or write to Kohler China. (Original sales receipt must be provided as the proof of purchase.)

为获得快捷的担保服务，请联系您的销售商；您也可写信给科勒中国有限公司(请出示销售发票原件作为购货凭证)：

Kohler China Investment Company Ltd.  
Central Customer Service Center  
19/F, Shanghai Square, 138 Huai Hai Road,  
Luwan District, Shanghai, PRC  
Zip Code: 200021

科勒(中国)投资有限公司  
中央客户服务中心  
上海市卢湾区淮海中路138号  
上海广场19楼  
邮编：200021

This is our exclusive written warranty.

这是我们全部的书面担保。