

Features

- Compact, modern urinal with no exposed bolt connections.
- Washdown flush action with G1/2" Rear inlet.
- Uses 0.125-1.0 gallons per flush (0.5-3.8 lpf)

Material

- Vitreous China.

Installation

- Innovative trapway connector designed to ease installation and maintenance.
- G-1/2" Rear Inlet

Included Components

Additional Components:

- 2" outlet spud
- G-1/2" inlet spud
- Hanger (Qty. 2)



ADA

Codes/Standards

ADA
ICC/ANSI A117.1

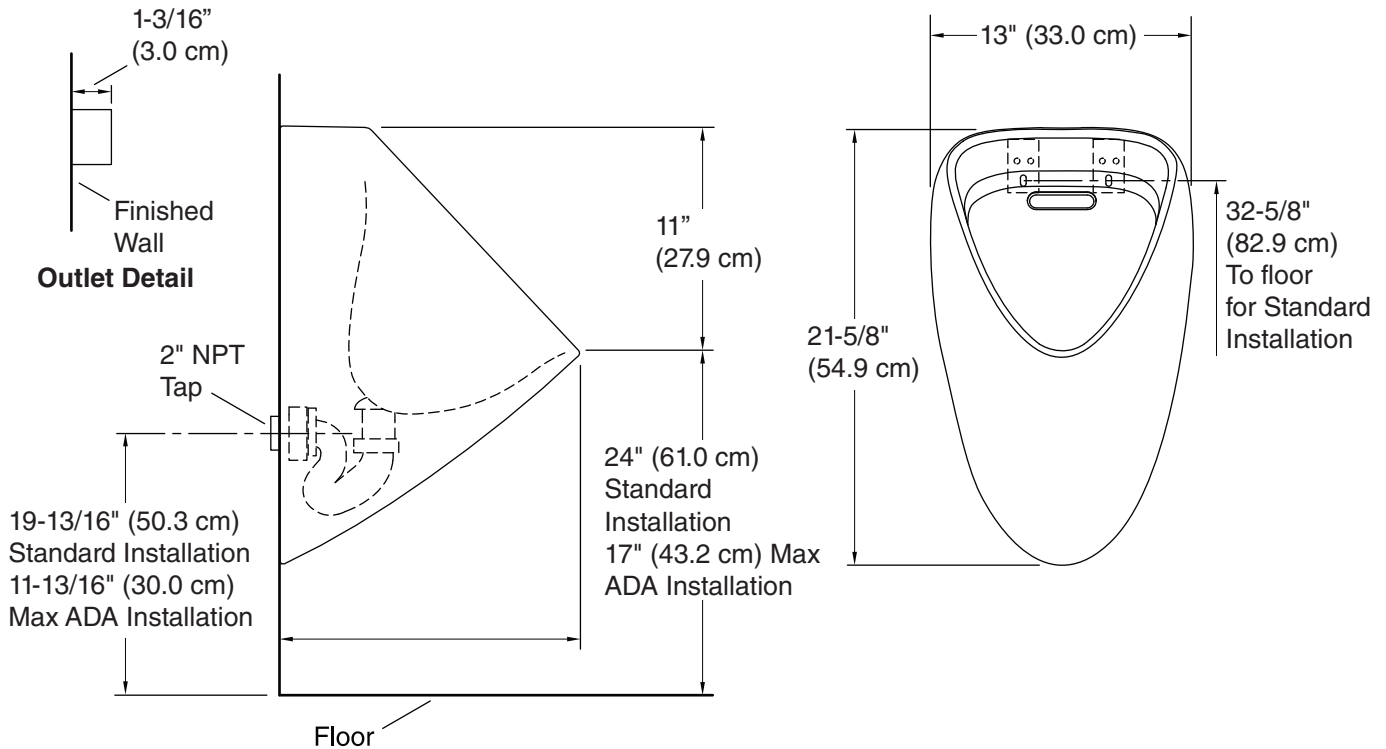
KOHLER® One-Year Limited Warranty

See website for detailed warranty information
www.kohler.co.in/warranty

Available Colour/Finishes

Colour tiles intended for reference only.

Colour	Code	Description
	0	White
	7	Black Black™



Technical Information

All product dimensions are nominal.
Flush outlet Technology: Washdown

Min. Water per Flush: 0.125 gal (0.5 L)
Max. Water per Flush: 1 gal (3.8 L)

Designed for the above water use when installed with a water-saving flushometer.

Pressure and Supply Requirements

Fixture pressure min 25 psi (172.4 kPa)
(static):
Fixture pressure max 80 psi (551.6 kPa)
(static):

Notes

- Install this product according to the installation instruction.
- Recommended ADA outlet spud height will account for normal product variation.
- For ADA compliance, measurement must be 17" (432 mm) or less from the floor to the top of the lip.
- ADA compliant when installed to the specific requirements of these regulations.