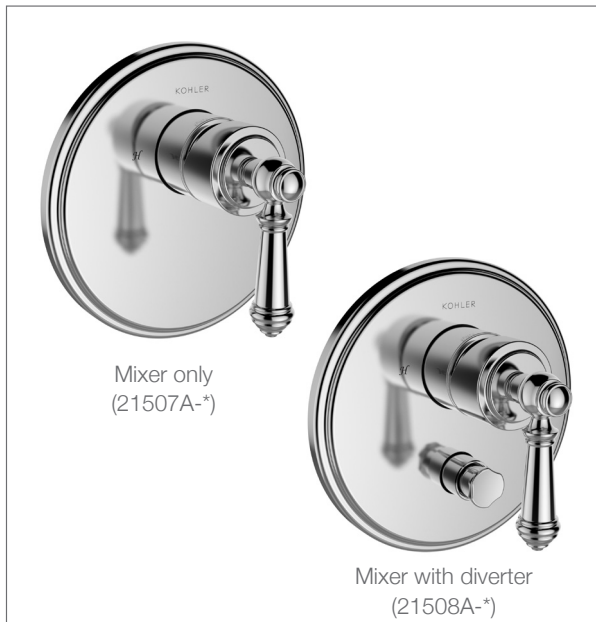


Product

- Artifacts shower or bath mixer only
- Artifacts shower and bath mixer with diverter

Kohler Code

21507A-*
21508A-*




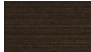

Included Components

- In wall valve
- Trim kit

Features

- Diverter version allows water to be delivered through a bath spout or shower.
- Polished chrome
- 40mm ceramic disc valve
- Suitable for mains pressure
- KOHLER finishes resist tarnishing and corrosion

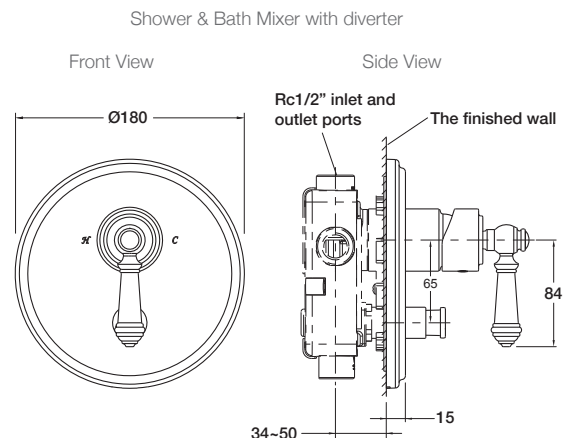
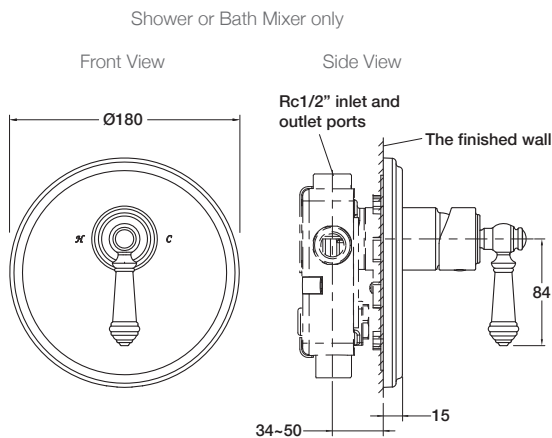
PVD Colour Options (*Colour swatches indicative only)

	21507A-CP / 21508A-CP Polished Chrome
	21507A-2BZ / 21508A-2BZ Oil-Rubbed Bronze
	21507A-BV / 21508A-BV Vibrant Brushed Bronze

Related Products

- Artifacts tapware
- Artifacts accessories

Technical Details



Installation Notes:

- Rc1/2" female inlets and outlets
- Default diverter setting is for bottom outlet (Bath). Pull diverter knob for top outlet (Shower).
- Optimum working pressure 300-500 kPa.
- Maximum hydrostatic pressure 800 kPa (This pressure may be exceeded only under test conditions).
- Where normal working pressure exceeds the maximum, pressure limiting valves should be installed.
- Maximum working temperature 60°C.
- For optimum installation it is important that the valve is installed plumb on both horizontal and vertical planes.
- Inline filters should be used to protect tapware from debris that may be present within the plumbing.