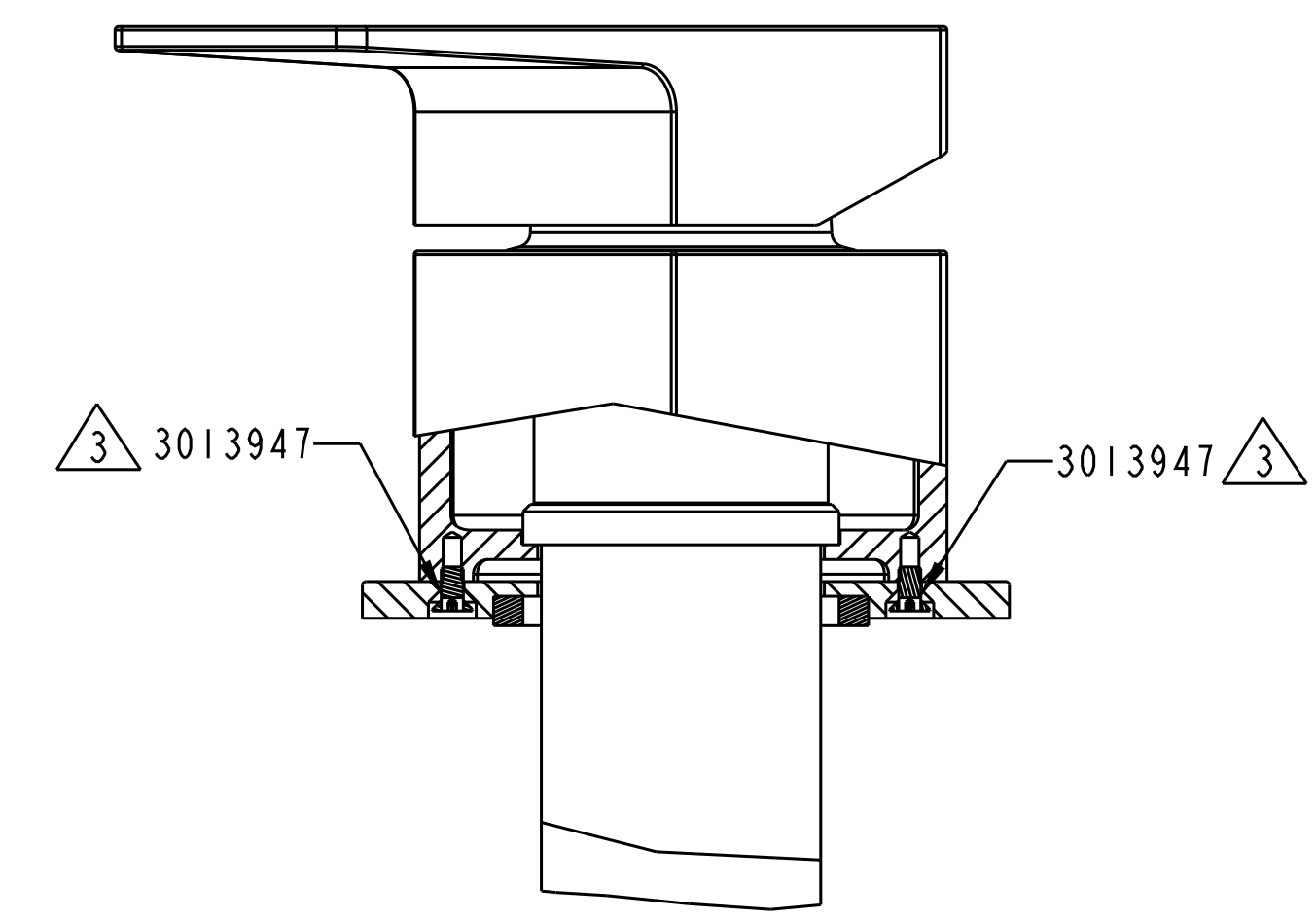
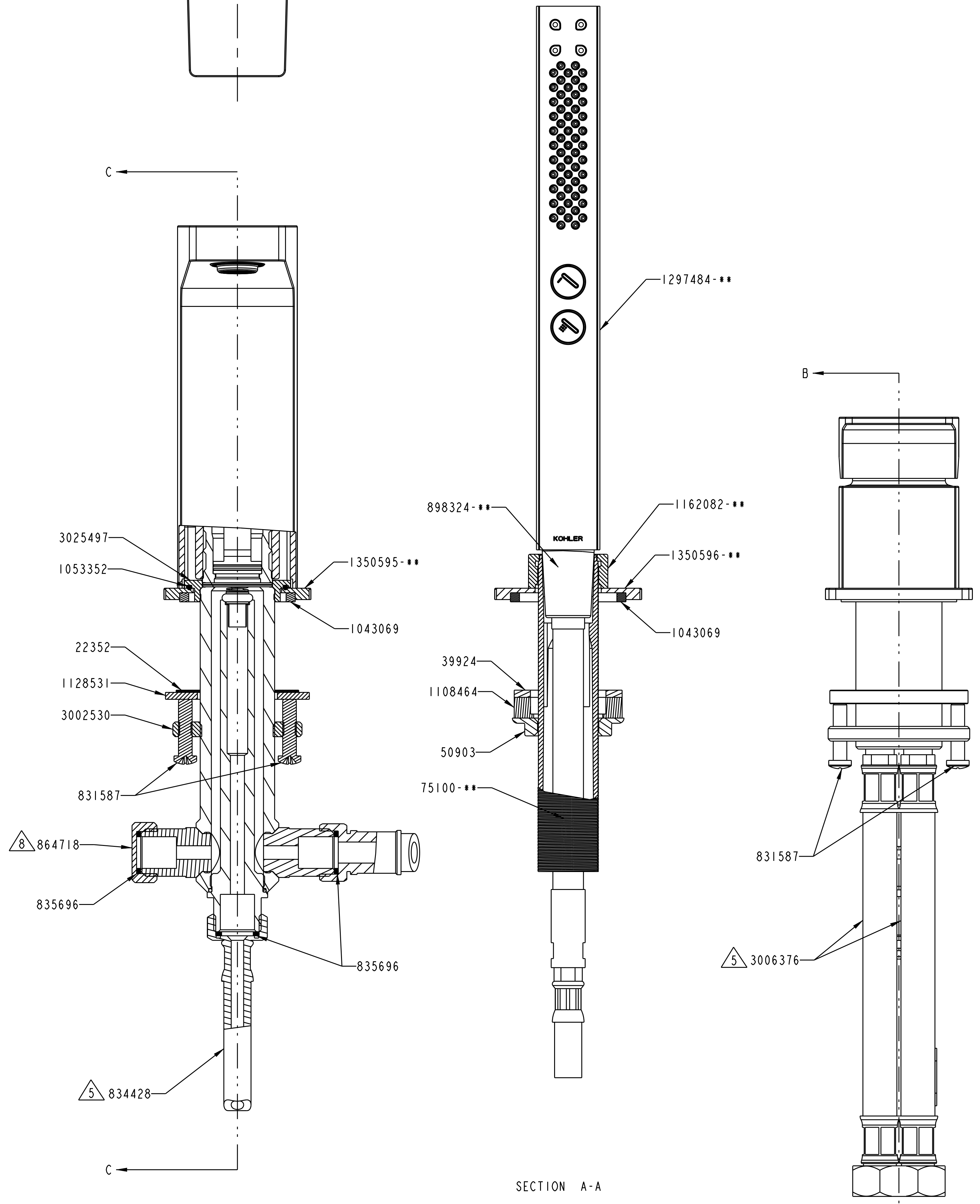


SECTION D-D  
(REVOLVED)

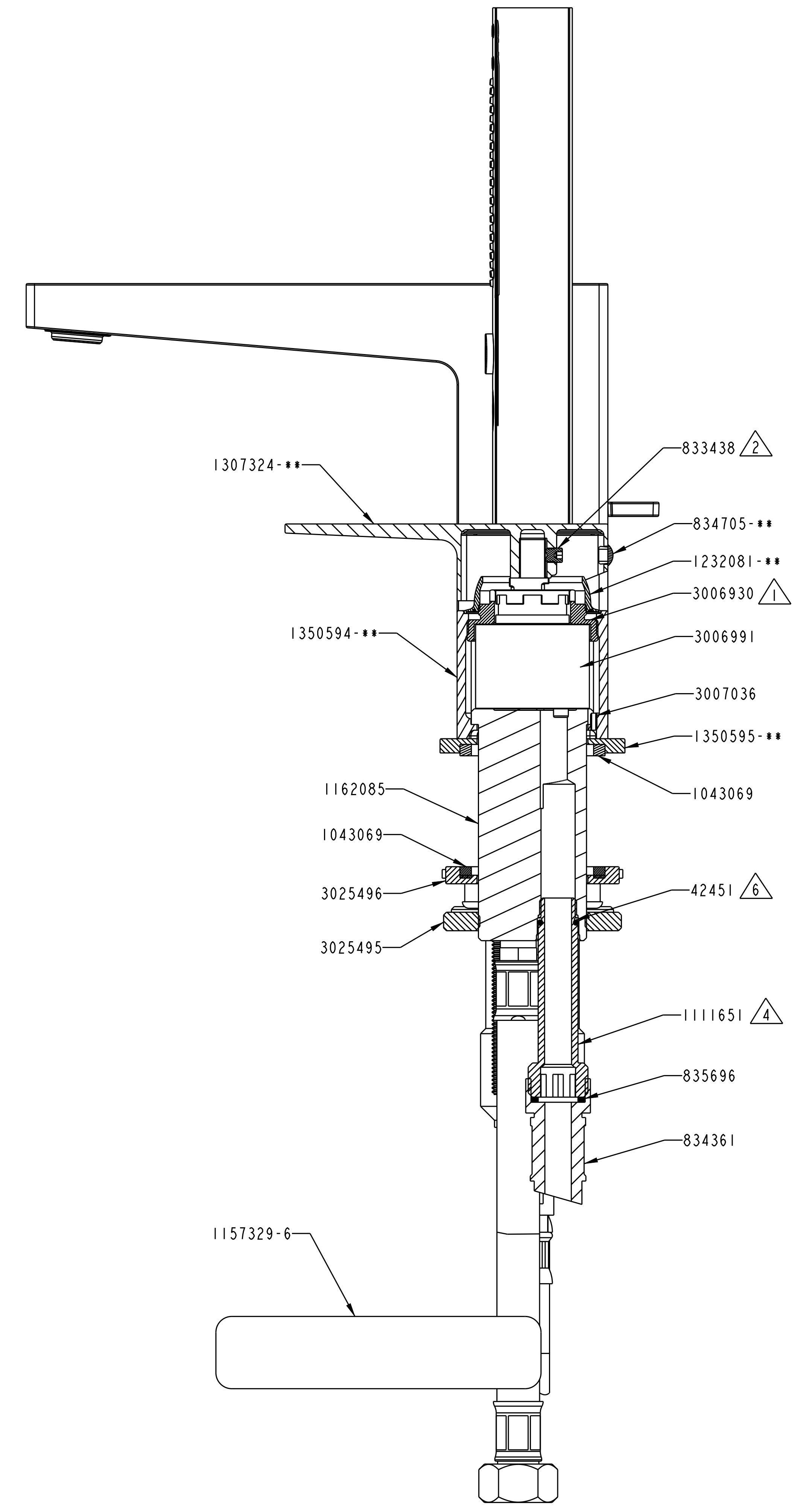


SECTION E-E  
(REVOLVED)

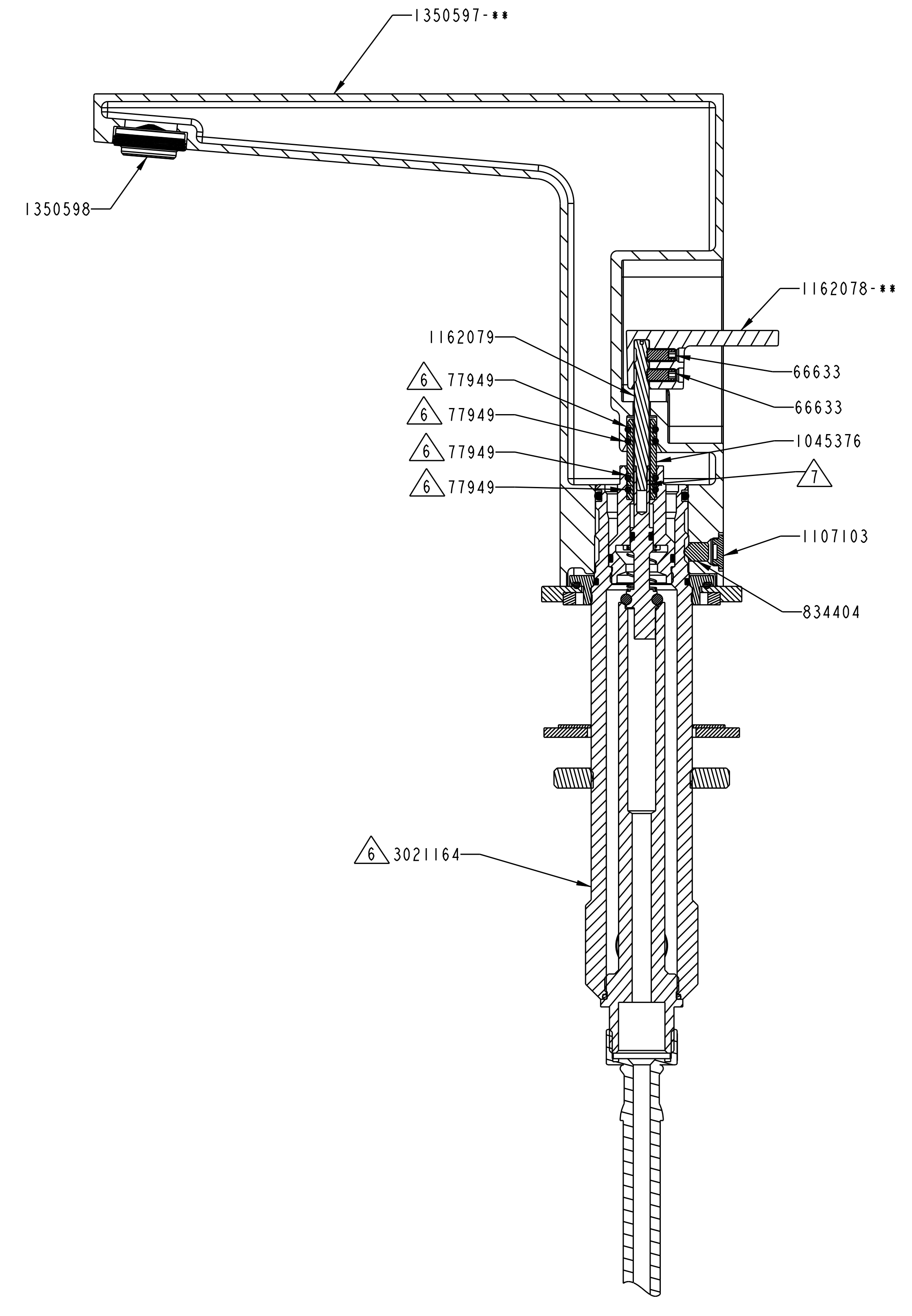
- NOTES :
- 1 TIGHTENING  $11 \pm 1$  Nm.
  - 2 TIGHTENING  $1.2_0^{+0.2}$  Nm.
  - 3 TIGHTENING  $2 \pm 0.3$  Nm.
  - 4 TIGHTENING  $6 \pm 0.5$  Nm. AND STICKING WITH "LOCTITE 638"
  - 5 HAND TIGHTENED UNTIL END OF THREADING.
  - 6 LUBRICATE WITH VR69-252N OR DC111 BEFORE ASSEMBLY.
  - 7 STICKING WITH "LOCTITE 638"
  - 8 TIGHTENING BY WRENCH
9. DELIVERED WITH  
 HEX WRENCH 1046290 1 PC.  
 WRENCH, MALE HEX 834638 1 PC.  
 KEY, AERATOR M24 1340619 1 PC.
10. PACKAGING AND FINISHING PARTS "-" ARE DEFINED ON THE BOM



SECTION A-A



SECTION B-B



SECTION C-C

ALL DIMENSIONS IN: MILLIMETERS				DIMENSIONING AND TOLERANCING PER ASME Y14.5M-1994			
APPROVED	ANAN THILAI	DATE	09.12.19	PLOT DATE	SCALE	1:1000	
DRAWN	Y. SASAPIN	DATE	06.21.18	CHECKED	DATE	09.12.19	
DO NOT SCALE DRAWING	P. CHAOWANAN		09.12.19	PROJ	SIZE	E	
THIRD ANGLE PROJECTION				KOHLER			
KOHLER CO. KOHLER, WISCONSIN 53044				PART NAME			
DESCRIPTION				22087X-4			
HONESTY DECK-MOUNT				BATH & SHOWER FAUCET			
DWG. NO.				22087X-4			
SHEET				1 OF 1			