

Note: before cutting countertop Allow for handle clearance
注意: 在切割台面之前, 请留出安装龙头的空间。

至少 51mm
51mm
MIN

65mm

FINISHED WALL / BACK SPLASH
完工墙面/防溅挡板

CENTERLINE OF FITTING
安装中线

脸盆边缘
RIM OF LAVATORY

科勒 THE BOLD LOOK OF KOHLER
全球厨卫经典

K-2211T
卡斯登 CAXTON

台下式脸盆
VITREOUS CHINA UNDERCOUNTER LAVATORY
切割图/安装说明书
CUT-OUT TEMPLATE / INSTALLATIONS

安装之前

- 有关安装属专业性, 故脸盆下脸盆必须经由受过训练及有经验的技师进行安装。
- 切勿在本品上使用密封胶或有黏性的密封胶。
- 检查出水及供水管道, 如有需要便更换。
- 安装之前先开启新脸盆的包装, 检查有无损毁后放回纸箱中以免损坏, 到准备安装时取用。
- 遵守当地所有给排水及建筑规定。
- 科勒脸盆是根据美国标准制造的, 与美式洗脸盆配件相配。其它洗脸盆配件可能与之不相配。

BEFORE YOU BEGIN

- Due to the nature of the installation, undercounter lavatories should be installed by trained and experienced installers.
- Do not use adhesives or adhesive sealants with this product.
- Inspect the waste and supply tubing; replace if necessary.
- Prior to installation, unpack the new lavatory and inspect it for damage. Return the lavatory to its protective carton until you are ready to install it.
- Observe all local plumbing and building codes.
- Kohler lavatory is made according to American National Standard that it can match the American lavatory fittings. Any other lavatory fittings may not fit for Kohler lavatory.

安装脸盆

- 检查准备上脸盆的位置, 是否与后挡水板、水龙头、脸盆及柜子保持足够的距离。
- 剪出模板。
- 将模板小心放置于台上, 并在台面上按照模板画出其边缘轮廓导线。
- 在脸盆台上标出水龙头孔位的中心线。
- 在脸盆内画一个1/2英寸的导孔。
- 用手电钻或电钻孔线锯切开脸盆。

木制盥洗台

- 按照模板所示的位置, 在台面标出及预先钻妥木螺钉的孔位。
- 其他外露的木表面需保持防水。

大理石盥洗台

- 大理石盥洗台倒过来放在泡沫垫上以保护其表面, 按照模板所示的位置钻妥各个3/8英寸(10mm)直径及5/8英寸(16mm)深的孔位。
- 利用安装工具及锤子来固定预埋螺母。

注意格式

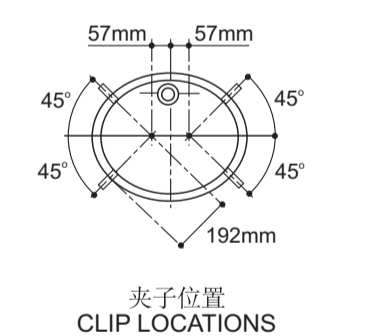
- 如还未安装盥洗台, 请在这时装上。
- 按照龙头安装说明引钻龙头孔。
- 按照制造商的说明书, 在盥洗台上水龙头。
- 按照制造商的说明书, 在脸盆下装上排水管。
- 注意: 请勿在本品上使用密封胶或有黏性的密封胶。
- 在与脸盆台接触的脸盆边缘, 如珠串般涂上优质密封胶。
- 注意: 随附的螺母只适用于最少1英寸(25mm)厚的盥洗台, 而较薄的盥洗台则要用其他合适的预埋螺母及紧固件。

- 在木、木质合成物及大理石的盥洗台上安装脸盆时, 可使用随附的夹具及螺钉。其他物料制造的盥洗台, 则请参考盥洗台制造商的说明书上的建议, 使用适当的配件。
- 在上紧夹具前, 先将脸盆平整地放在盥洗台切口下, 然后小心将脸盆拉起直至台面才可上夹具, 切勿上得太紧。
- 立即擦去多余的密封胶。
- 最后将所有水管及水龙头与脸盆连接妥当, 确保安装乃符合水管及水龙头的一切有关的安装说明书。
- 使用非腐蚀性清洁剂进行清洁。

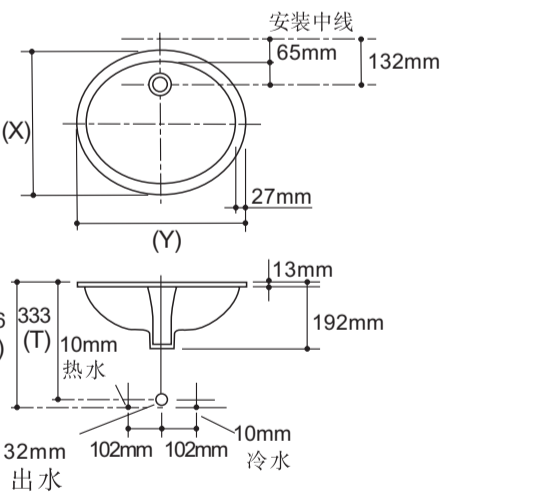
所需工具及物料
(不随货供应)

- 密封胶
- 炭笔
- 卷尺
- 尖刀或剪刀
- 匙孔线锯或手提电锯
- 钻头(直径1/2英寸或更大的钻头)
- 防护眼镜
- 锤子
- 抹布或抹手纸

尺寸图

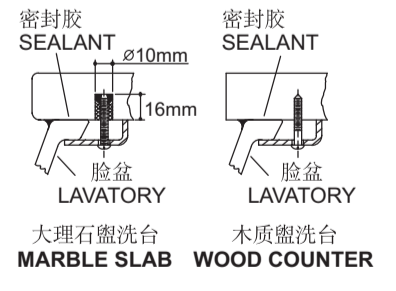


ROUGH-IN



K-2211T
K-2211T: (X)=435mm (Y)=536mm

(T)	Pop-up drain 333mm grid drain 311mm.
(S)	356mm (Based on 305mm riser which may require cutting).
(T)	凸出排水口333mm; 网格排水口311mm.
(S)	356mm, 此尺寸根据305mm洞口计算, 须按实际情况调整。



Note: waterproof unprotected overhang area on the underside of wood counter.
注: 木质盥洗台面板下突出部份须作防水处理。

INSTALL THE LAVATORY

- Check the desired lavatory location for clearance between the backsplash, faucet, fixture, and cabinet.
- Cut out the template.
- Carefully position and trace the template on the countertop as directed on the template.
- Mark the faucet hole centerline on the countertop.
- Drill a 1/2" pilot hole on the inside of the cut line.
- Cut out the countertop opening with a saber or keyhole saw.

FOR WOOD COUNTERTOPS

- Mark and pre-drill the wood screw holes at the locations shown on the template.
- Waterproof any exposed areas of wood.

FOR MARBLE COUNTERTOPS

- Position the countertop upside down on foam padding to protect the surface. Mark and drill 3/8" (10mm) holes 5/8" (16mm) deep at the locations shown on the template.
- Use a setting tool and hammer to secure the anchors.

FOR ALL INSTALLATIONS

- If the countertop has not been installed, install it at this time.
- Drill the faucet holes according to the faucet installation instructions.
- Install the faucet to the countertop according to the manufacturer's instructions.
- Install the drain to the lavatory according to the manufacturer's instructions.
- NOTE: Do not use adhesives or adhesive sealants.
- Apply a continuous bead of quality sealant to the lavatory rim where it will contact the countertop.
- NOTE: The screws provided should be used on countertops with a minimum 1" (25mm) thickness. For thinner countertops, use appropriate anchors and fasteners.
- For wood, wood composite, and marble countertops, install the lavatory to the countertop with the clamps and screws provided. For other countertop materials, refer to the countertop manufacturer's instructions for recommended fasteners.
- Position the lavatory squarely under the cutout before tightening the clamps. Draw the lavatory rim up to the countertop until it is snug. Do not overtighten.
- Immediately wipe away any excess sealant.
- Make the final drain and faucet connection to complete the lavatory installation. Be sure to follow all instructions packed with the drain and faucet.
- Clean up with a non-abrasive cleaner.

注意: 采用此切割模板切割的台面内沿到面盆内边缘的距离为6mm左右, 客户可根据需要按比例缩放用以切割台面。

NOTE: Using this template, the overhang is about 6mm. Customers can zoom the template by scale to meet their requirement.

用户须知
(护理和清洁)

为保持脸盆光洁如新, 须确保每次使用后彻底冲洗干净, 切勿使用腐蚀性的清洁剂, 以免刮花及破坏脸盆的表面。要清除顽固污垢, 油漆或柏油, 可使用松油或油漆稀释剂。

IMPORTANT CONSUMER INFORMATION (CARE AND CLEANING)

To keep your lavatory looking new, make sure you rinse it out thoroughly after each use. DO NOT USE ABRASIVES on this product, as they will scratch and ruin the surface. Stubborn stains, paint, or tar can be removed with turpentine or paint thinner.

陶瓷及浴缸产品及配件担保——一年有限担保

科勒公司担保其陶瓷及浴缸产品及配件在制造工艺上无瑕疵。

Plumbing Fixtures and Fittings Limited One-year Warranty

Kohler plumbing fixtures and fittings are warranted to be free of manufacturing defects.

本产品自购买之日起即获得本公司一年的质量担保。在质保期内, 凭购买发票, 科勒公司将免费承担由制造质量问题引起的任何问题。经检查后, 科勒中国有限公司有权决定是修理、更换, 还是作适当的调整。

This product is warranted for one year from date of purchase. Kohler China will be responsible for any problems caused by manufacturing defects provided with the invoice. Kohler China will, at its election, repair, replace or make appropriate adjustment where Kohler China inspection discloses any such defects occurring in normal usage within one year after purchase.

这里所指的担保, 包括产品, 都已明确地限制在该担保期之内。科勒中国有限公司对其后出现的损坏不负有任何责任。担保也不包括外观损伤、使用不当以及未按说明书安装造成的损失。

Implied warranties including that of merchantability and fitness for a particular purpose are expressly limited in duration to the duration of this warranty. Kohler China disclaims any liability for special, incidental or consequential damages. Damages to the product caused by misuse, abuse or installation that is not in accordance with the owner's manual are not covered by this warranty.

为获得快速的担保服务, 请联系您的销售商; 您也可写信给科勒中国有限公司(请出示销售发票原件作为购货凭证)。

To obtain quick warranty service, please contact your dealer, or write to Kohler China. (Original sales receipt must be provided as the proof of purchase.)

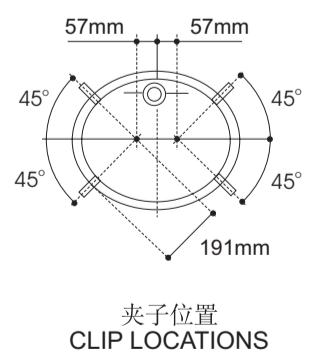
科勒(中国)投资有限公司
中央客户服务中心
上海市卢湾区淮海中路138号
上海广场19楼
邮编: 200021

Kohler China Investment Company Ltd.
Central Customer Service Center
19/F, Shanghai Square, 138 Huai Hai Road,
Luwang District, Shanghai, PRC
Zip Code: 200021

这是我们全部的书面担保。

This is our exclusive written warranty.

夹子位置
CLIP LOCATIONS



沿此线切割
CUT ALONG THIS LINE

117215-T01-D

© 版权为科勒中国有限公司所有, 2007
© Copyright Kohler China Ltd., 2007