

Features

- Vitreous china
- Undercounter
- With overflow
- Includes 52047 clamp assembly
- 530 x 365 x 206 mm [K-2214X]
- 581 x 402 x 206 mm [K-2215X]

Codes/Standards Applicable

Specified model meets or exceeds the following:

- ASME A112.19.1/CSA B45.1
- TIS 791-2544

Technical Information

Model	Drain hole	Water depth
K-2214X	44 mm D.	117 mm
K-2215X	44 mm D.	117 mm
Approximate measurements for comparison only.		

Included Components:	
Basin clamp assembly	52047
Cut-out template, K-2214X	1053195-X7
Cut-out template, K-2215X	1002977-X7

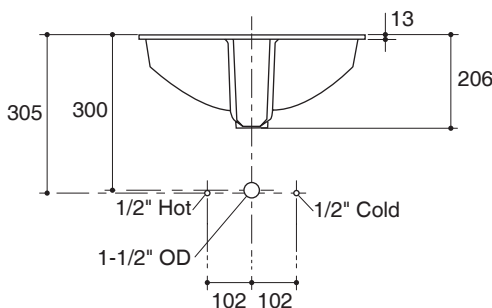
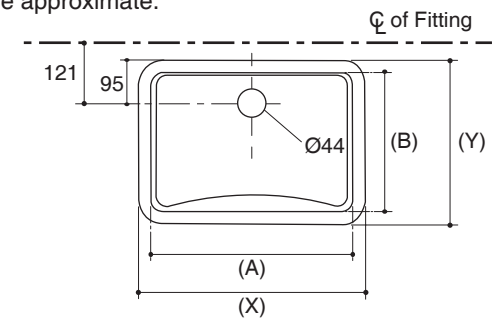
Specified Model

Model	Description	Color/Finished
K-2214X	Ladena 18" undercounter lavatory	O: White
K-2215X	Ladena 21" undercounter lavatory	O: White

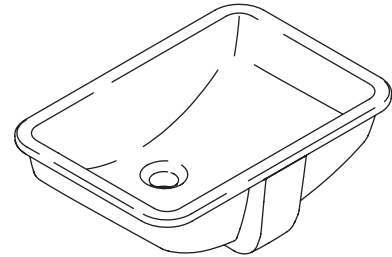
Recommended Accessory		
K-8998	Adjustable P-trap	CP: Polished Chrome

Dimensions are approximate.

Unit: mm



UNDERCOUNTER LAVATORY K-2214X ALSO K-2215X

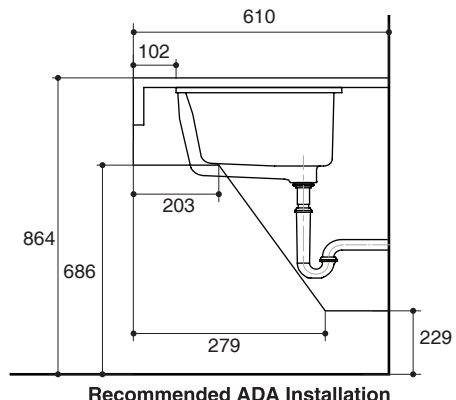
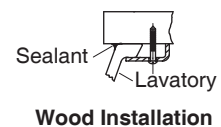
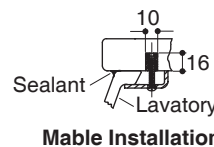


Installation Notes

Install this product according to instruction in the cut-out template. Supplied basin clamp assemblies require 25 mm minimum countertop thickness. Installer must supply anchors for thinner countertops.

NOTICE: Countertop manufacturer or cutter must use the cut-out template provided with the product, or a current one provided by Kohler Co. (call 0-2204-6222) Kohler Co. is not responsible for cutout errors when the incorrect cut-out template is used.

Model	Dim	A	B	X	Y
K-2214X		474	310	530	365
K-2215X		524	347	581	402



Note: The recommended dimension for installation can be adjusted according to user preferences and layout.

Product Diagram