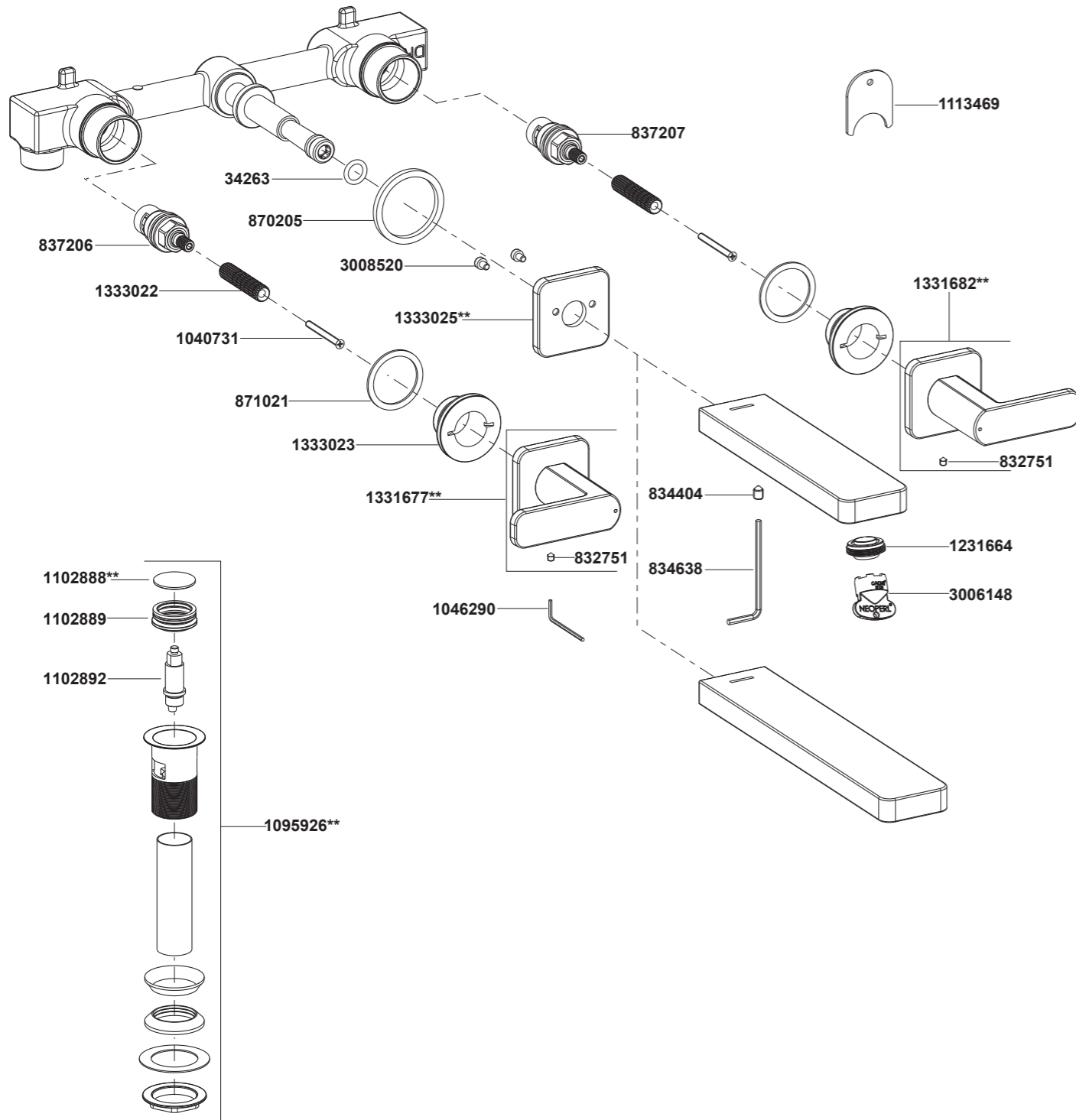


- 22569T-4 2 Handle Wall Mount Lavatory Faucet(Short Spout)
- 22570T-4 2 Handle Wall Mount Lavatory Faucet(Long Spout)



\*\*Color code must be specified when ordering.

**NOTE:** For all Asia pacific regions (excluding China) add SP (SPxxxxxx\*\*) in front of the part number when ordering.

- 22569T-4 2 Handle Wall Mount Lavatory Faucet(Short Spout)
- 22570T-4 2 Handle Wall Mount Lavatory Faucet(Long Spout)

### BEFORE YOU BEGIN

All information is based on the latest product information available at the time of publication. Kohler Co. reserves the right to make changes in product characteristics, packaging, or availability at any time without notice. Please leave these instructions for the consumer. They contain important information.

### NOTES:

1. Flush the water supply pipes thoroughly to remove debris.
2. Inspect the supply tubing for damage and leakage. Replace and maintain as necessary.
3. Observe local plumbing codes.
4. Check for leaks before covering the pipes, repair as needed.
5. Please ensure only apply water pressure test on the product, and empty the air in pipe and faucet thoroughly before the test. Please ensure test pressure below 0.8MPa and test duration within 30 minutes.

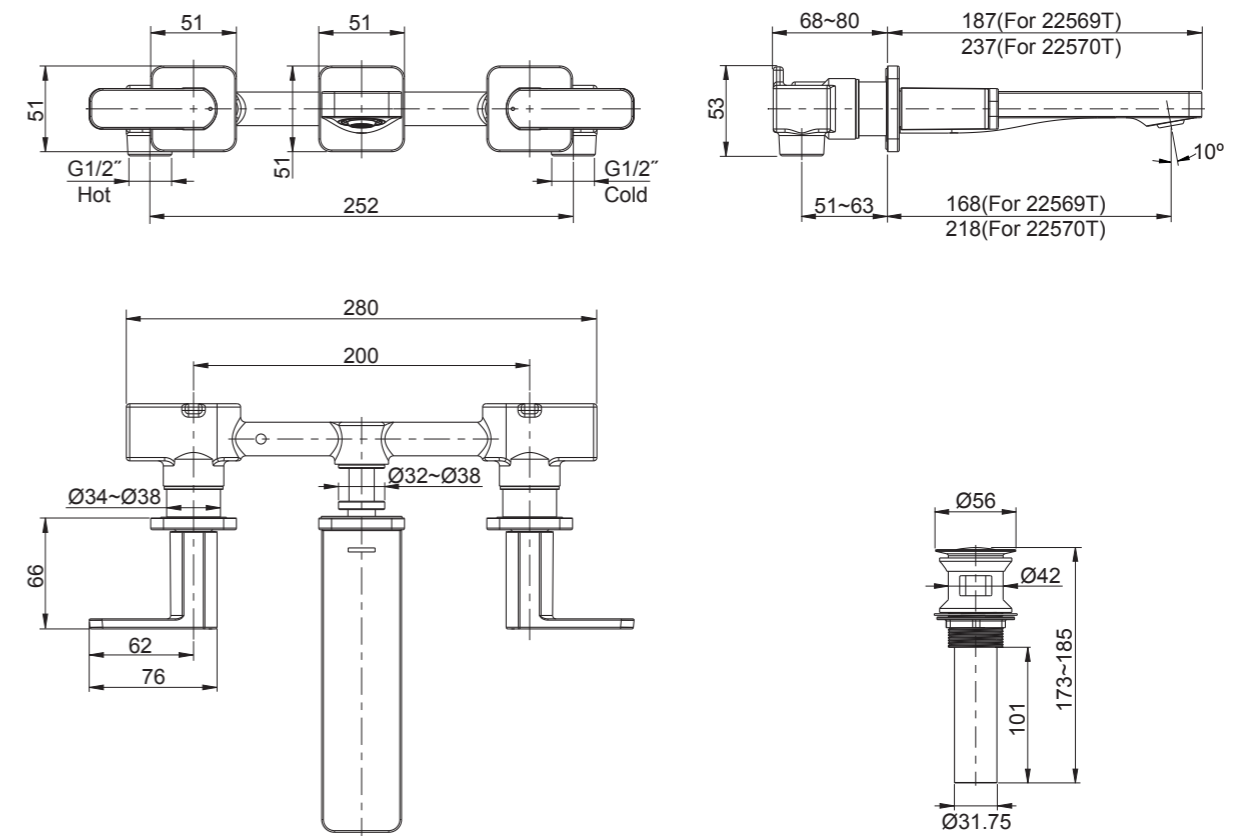
### HANDLE OPERATION

Turn left handle counter-clockwise for hot water, and turn right handle clockwise for cold water.

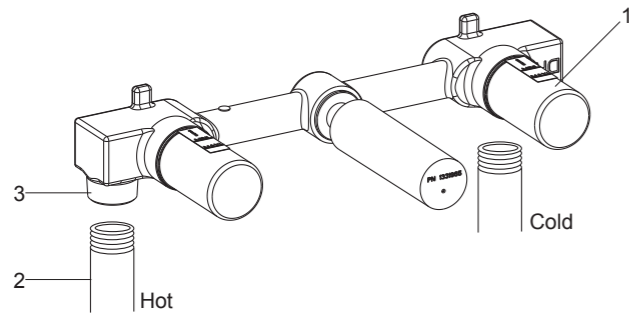
### STANDARD APPLICABLE

Special model meets or exceeds the following at date of manufacture: TIS

### ROUGH-IN DIMENSIONS



## INSTALLATION



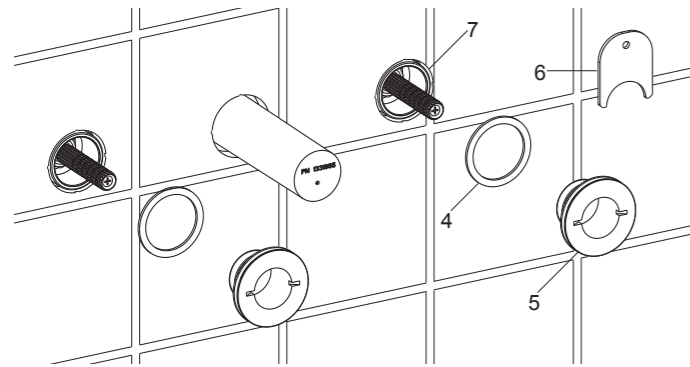
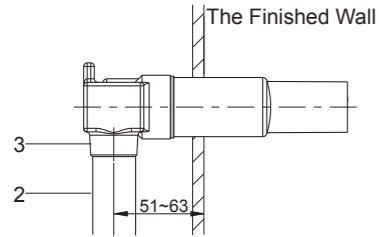
### How to Install the Yoke

Determine where the yoke will be located on the wall. Dig a suitable hole in the wall. Install the yoke into the hole. Make sure the protectors(1) faces front. Do not take off the protectors at this moment.

Connect the G1/2" water supply pipes(2) to the water inlets(3).

Keep the distance from centerline of the water supplies to the finished surface must be between 51mm and 63mm. Make sure the left supply pipe is the hot supply and connected to the end with red mark.

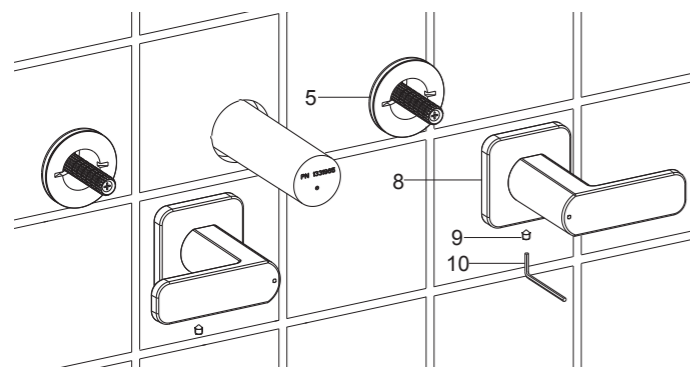
The out surface of the finished wall should be between the MAX and MIN marks on the protectors.



### How to Install the Handles

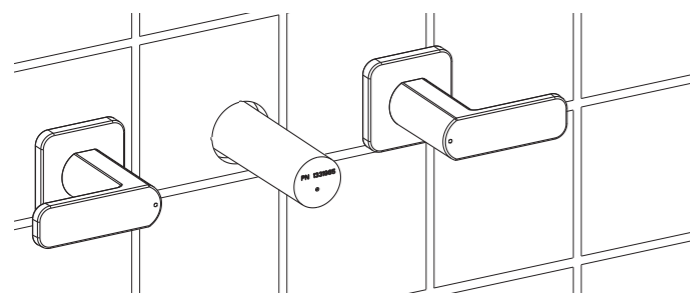
Remove and discard the handle protectors after completing the finished wall.

Put the rubber washers(4) into the rear groove of the escutcheon bases(5). Screw the escutcheon bases onto the valves(7) by key(6) until it is against the finished wall. **NOTE:** Uninstall the screw and extension if the recessed depth is shallow.

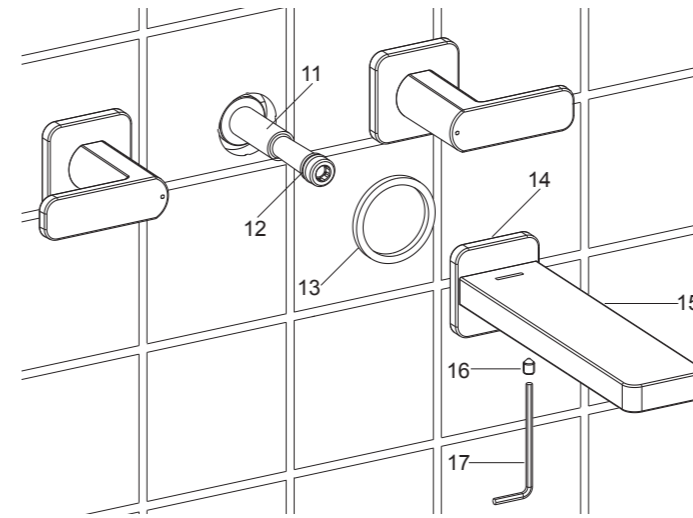


Place the handle kits(8) onto the escutcheon bases(5) with the valves closed. **NOTE:** The handle kit with red mark should be installed on the left side.

Tighten the screws(9) by hex wrench(10) to secure the handle kits.



The figure shows the correct position of the handles when the installation is completed.

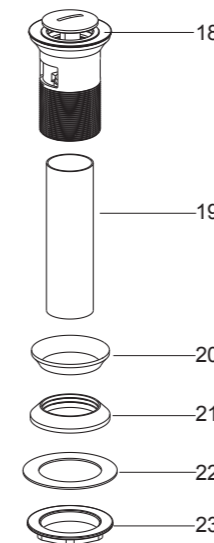


### How to Install the Spout

Remove and discard the spout protector.

Insert the washer(13) into the groove of the escutcheon(14).

Loosen the screw(16) in the spout kit(15) by hex wrench(17). Install the spout kit to the connector(11) with the spout outlet downward until it is against the finished wall. **NOTE:** Don't damage the O-ring(12) on connector. Tighten the screw to secure the spout kit.



### How to Install the Drain

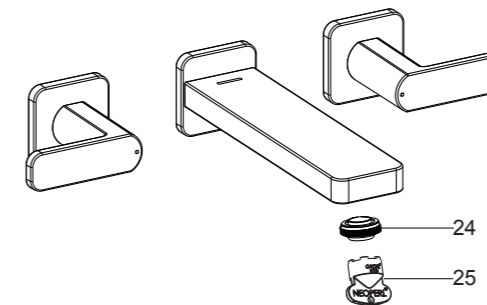
Remove the locknut(23), plastic washer(22), rubber gasket(21) and tailpiece(19) from the drain body. Supply enough tape or sealant to tailpiece thread. Reinstall the tailpiece.

Insert the drain body into the lavatory. Put the rubber gasket(Tapered side up), plastic washer and locknut back to the drain body in turn. Tighten the locknut.

**NOTE:** Do not reposition the drain after the locknut is tightened, or you may break the putty or sealant seal.

**NOTE:** If needed, apply a ring of plumbers putty or other sealants around the underside of the drain flange(18), instead of using rubber washer(20).

## INSTALLATION CHECKOUT



Ensure that all coupling nuts are tight. Ensure that the handles are in the off position. Turn on the main water supply and drain, and check for leaks. Repair as needed.

Remove the aerator kit(24) by tool(25). Run hot and cold water through faucet about one minute to remove any debris. Remove any debris from the aerator. Shut off the faucet. Reinstall the aerator.

## CLEANING INSTRUCTIONS

All Finishes: Clean the finish with mild soap and warm water. Wipe entire surface completely dry with clean soft cloth. Many cleaners may contain chemicals, such as ammonia, chlorine, toilet cleaner etc, which could adversely affect the finish and are not recommended for cleaning.

Do not use abrasive cleaners or solvents on Kohler faucets and fittings.