

22572T-9 Deck Mount Diverter And Handshower

BEFORE YOU BEGIN

All information is based on the latest product information available at the time of publication. Kohler Co. reserves the right to make changes in product characteristics, packaging, or availability at any time without notice.

Please leave these instructions for the consumer. They contain important information.

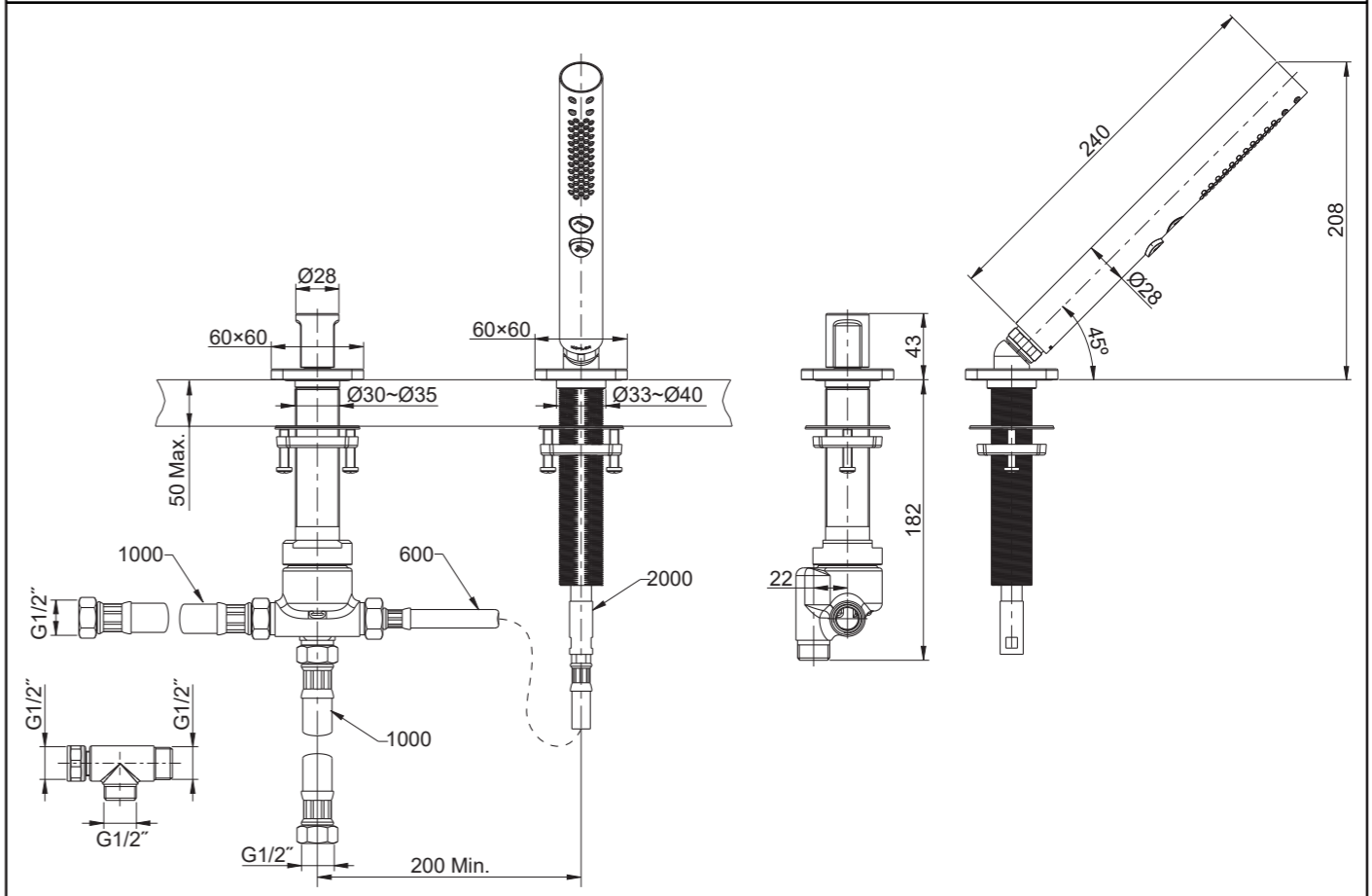
NOTES:

1. Shut off the main water supply.
2. Carefully read entire instructions before beginning installation.
3. Observe local plumbing codes.
4. This faucet has switching function only. It must work with a bath faucet (purchased separately) that has both on/off and hot/cold mixing control.
5. The highest working pressure for handshower is 0.5MPa(5bar). If it exceeds 0.5MPa(5bar), a pressure reducer is needed. The highest water and environment temperature is 60°C. Please keep handshower, showerhead and shower arm away from heater, or it may become damaged and cause injury to the user.

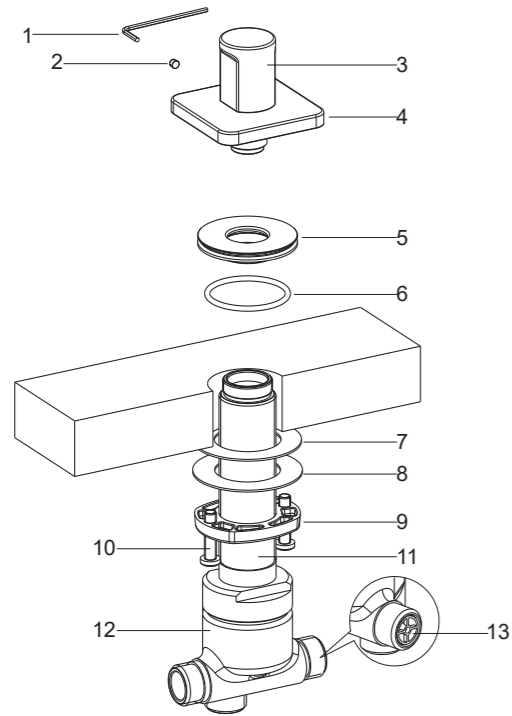
HANDLE OPERATION

Turn diverter handle clockwise for bath spout, turn counter-clockwise for handshower, middle position for both. Press the buttons of the handshower to change the water flow.

ROUGH-IN DIMENSIONS



INSTALLATION



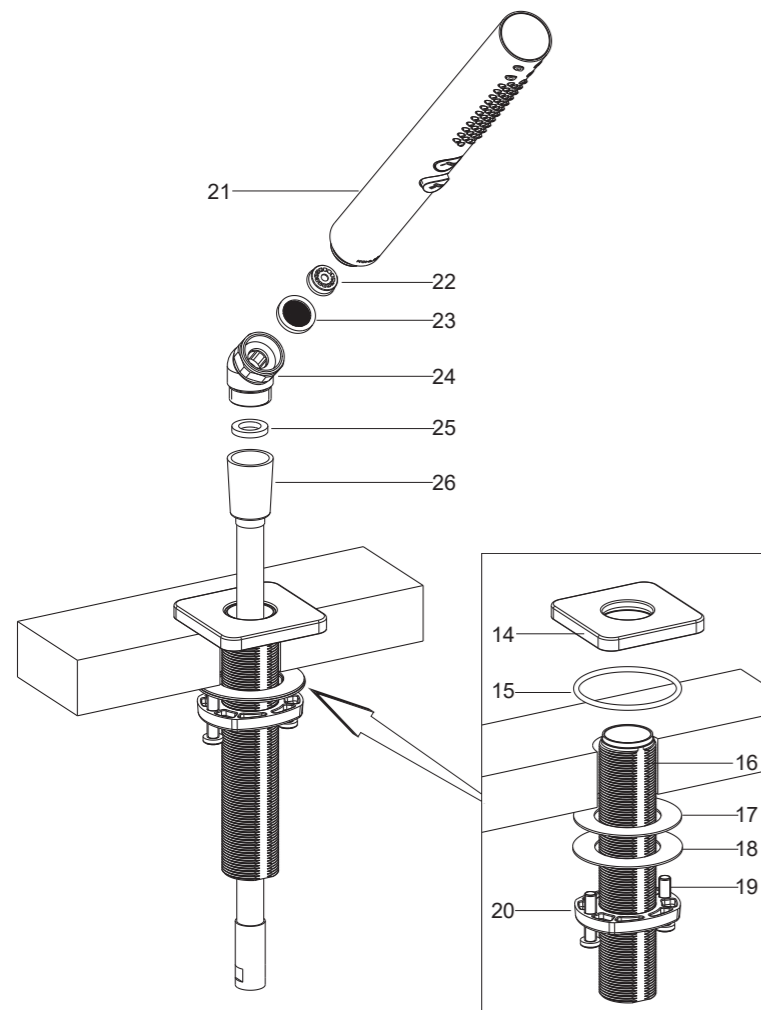
How to Install the Diverter Body

Pre-install the screws(10) into the screw holes of the threaded ring(9). Install the threaded ring, steel washer(8) and fiber washer(7) on the shank(11). From underside of the bathtub, install the diverter assembly(12) into the mounting hole.

Put the O-ring(6) into the groove of the nut(5). Tighten the nut onto the shank from upside of the bathtub. Secure the diverter assembly by tightening the screws(10).

NOTE: The end with check valve(13) in diverter is connected to shower hose.

Press the handle kit(3) onto the nut. Position the handle base(4) as shown. Tighten the screw(2) by hex wrench(1).



How to Install the Handshower

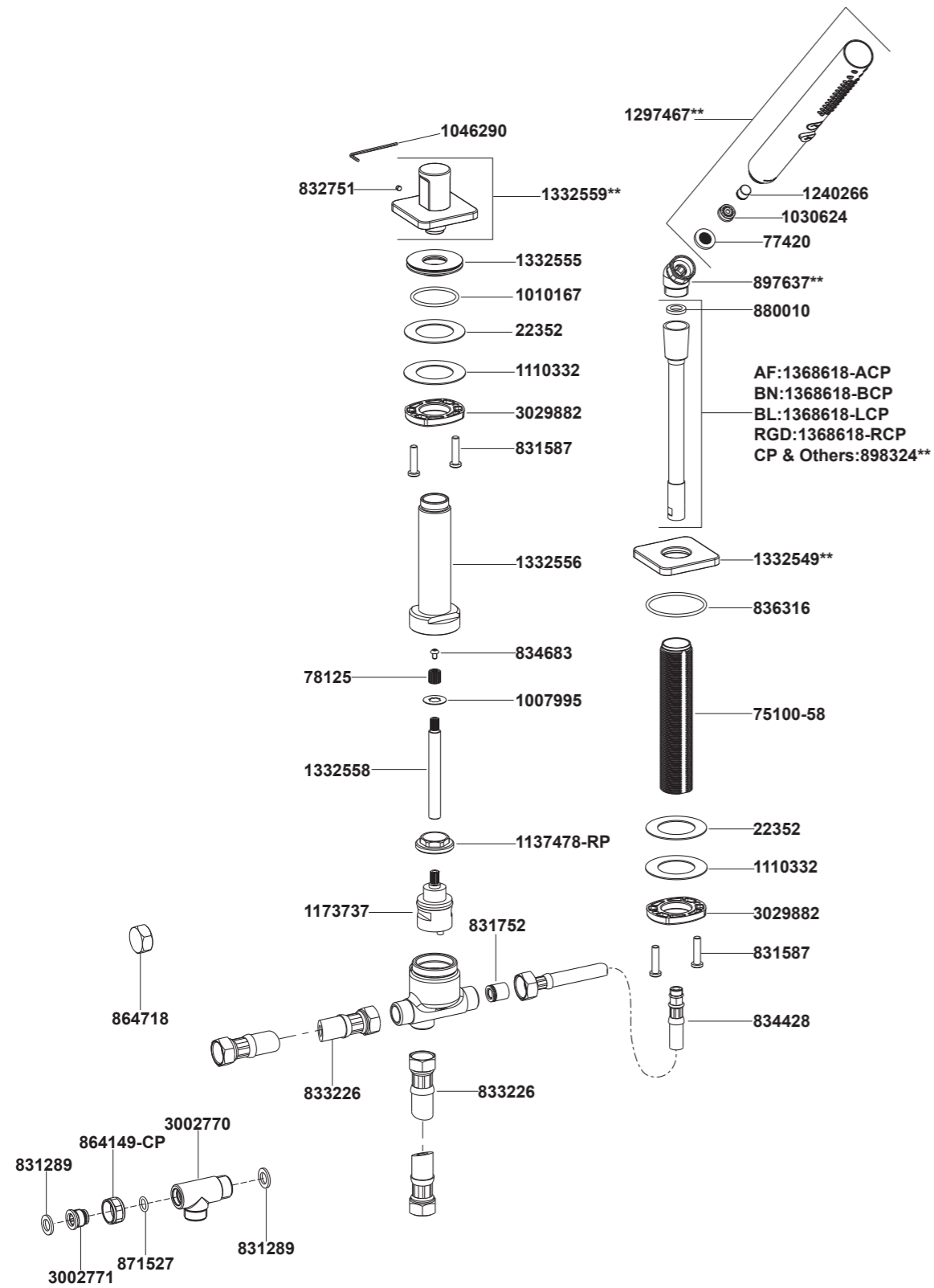
Pre-install the screws(19) into the screw holes of the threaded ring(20). Install the threaded ring, steel washer(18) and fiber washer(17) on the shank(16). From underside of the bathtub, install the shank into the mounting hole as shown.

Put the O-ring(15) into the groove of the escutcheon(14). Tighten the escutcheon with O-ring on the shank. Tighten the screws(19) firmly.

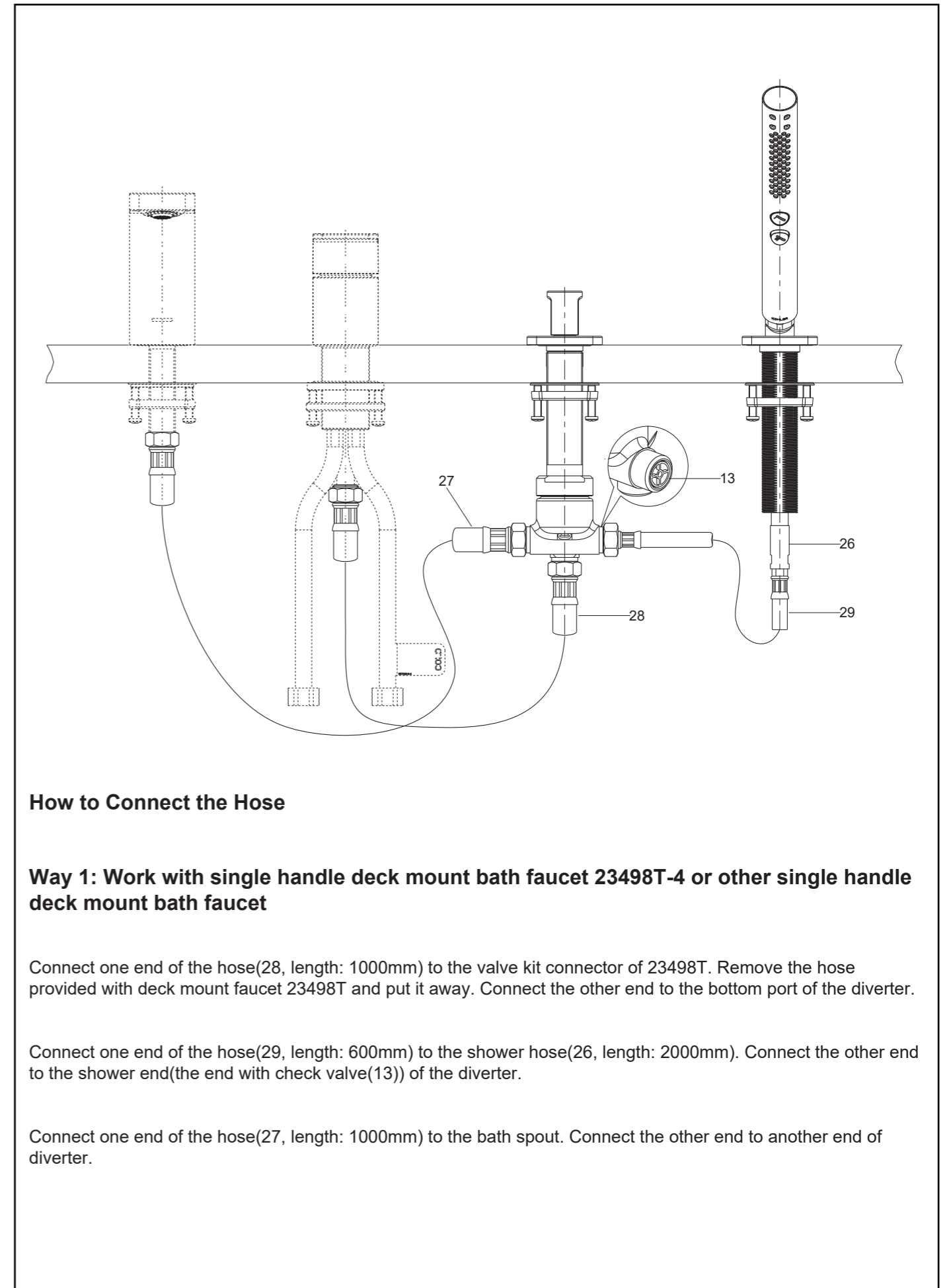
Put the washer(25) into the shower hose (26, length: 2000mm). Connect the shower hose to the elbow assembly(24) firstly. Then slide the shower hose through the escutcheon and shank.

Put the screen washer(23) into the elbow assembly. Put the restrictor(22) into the handshower(21) if needed. Connect the elbow assembly to handshower.

22572T-9 Deck Mount Diverter And Handshower



**Color code must be specified when ordering.



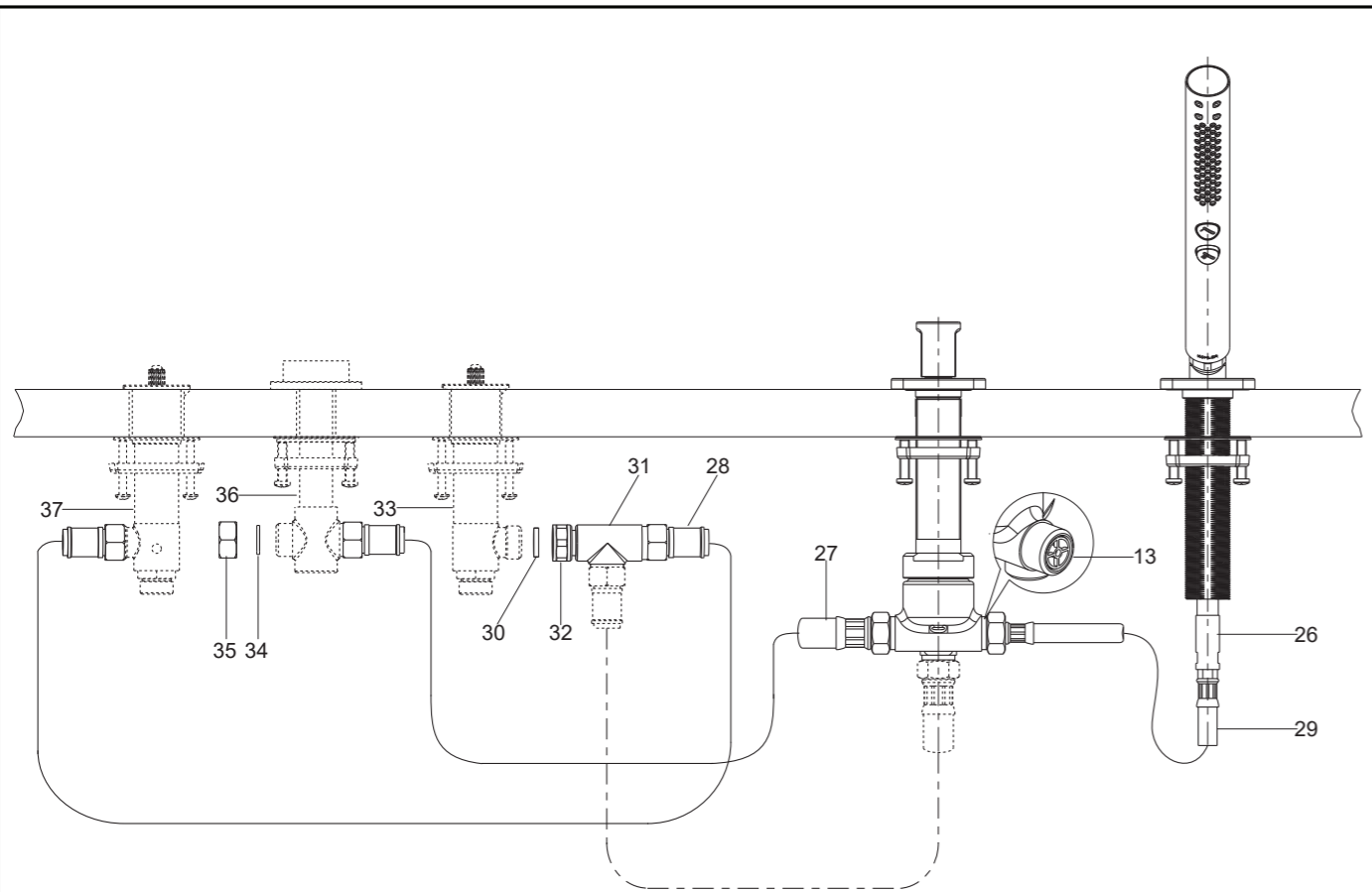
How to Connect the Hose

Way 1: Work with single handle deck mount bath faucet 23498T-4 or other single handle deck mount bath faucet

Connect one end of the hose(28, length: 1000mm) to the valve kit connector of 23498T. Remove the hose provided with deck mount faucet 23498T and put it away. Connect the other end to the bottom port of the diverter.

Connect one end of the hose(29, length: 600mm) to the shower hose(26, length: 2000mm). Connect the other end to the shower end(the end with check valve(13)) of the diverter.

Connect one end of the hose(27, length: 1000mm) to the bath spout. Connect the other end to another end of diverter.



Way 2: work with dual handle deck mount bath faucet

Put the washer(30) into the nut(32) of the tee(31). Then connect the tee(31) to one side body(33) of the deck mount bath faucet.

Put the fiber washer(34) into the nut(35). Tighten the nut to one of the ports of the center tee(36) for the spout.

Connect one side body(37) and tee(31) on another side body with hose(28, length: 1000mm).

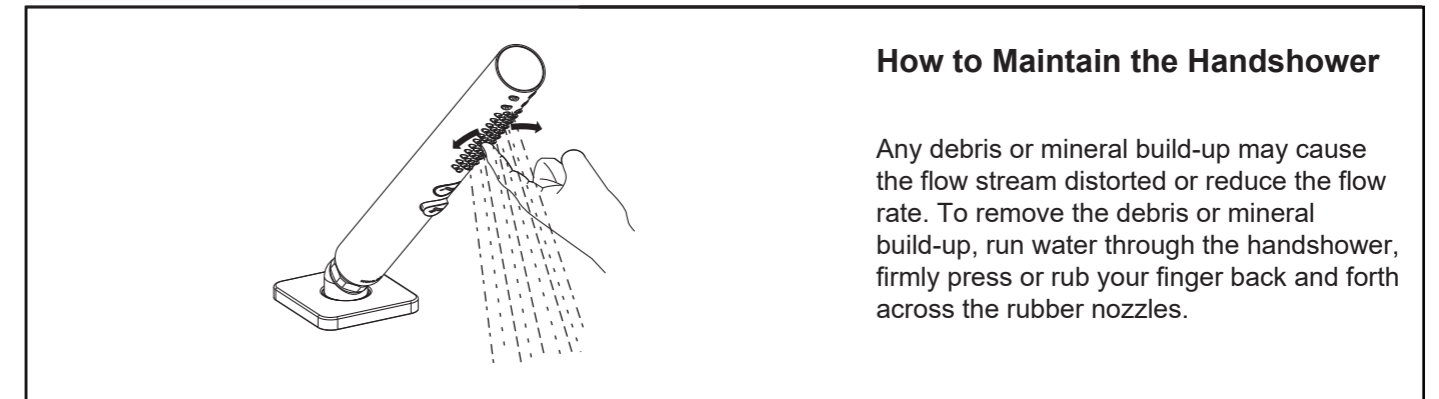
Connect the tee(31) and bottom port of the diverter with one of the hoses provided with deck mount faucet(Remove another hose and put it away). Connect the shower hose(26, length: 2000mm) and shower end(the end with check valve(13)) of the diverter with connection hose(29, length: 600mm).

Connect the center tee(36) and another end of the diverter with hose(27, length: 1000mm).

To ensure the water flows smoothly and the handshower can be drawn out easily, the hose should avoid kinking, twisting. To ease installation, you may back off tee of the spout up to 180 degree. **NOTE:** Hoses should be only used where indicated.

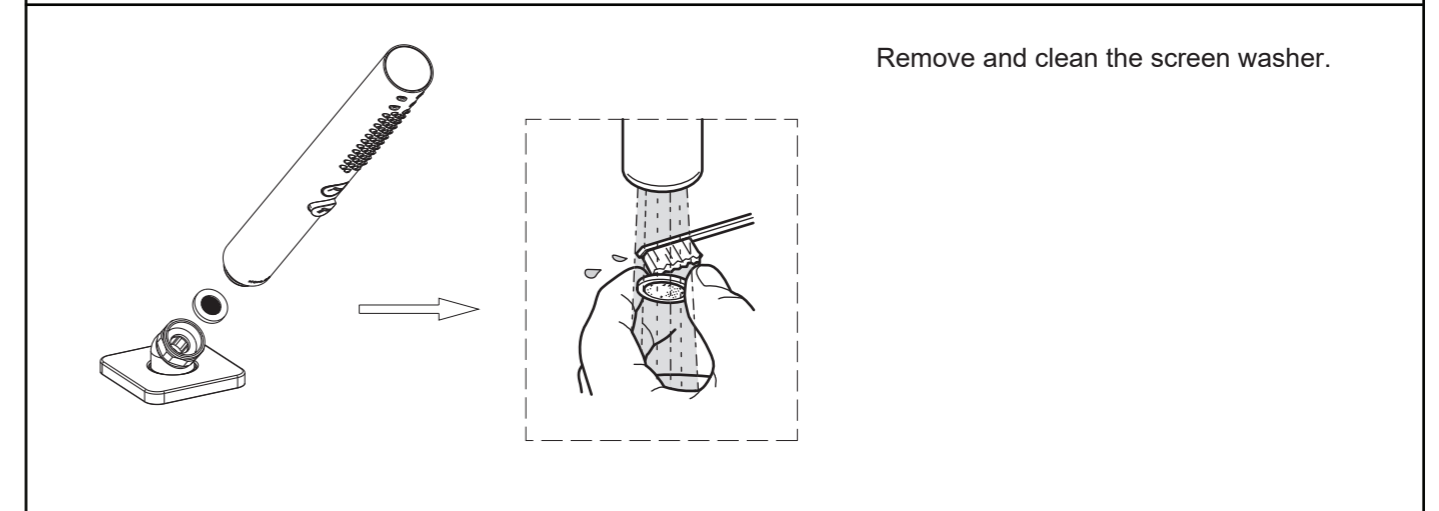
INSTALLATION CHECKOUT

Ensure all coupling nuts are tight. Turn on main water supply and check for leaks. Repair as required.



How to Maintain the Handshower

Any debris or mineral build-up may cause the flow stream distorted or reduce the flow rate. To remove the debris or mineral build-up, run water through the handshower, firmly press or rub your finger back and forth across the rubber nozzles.



Remove and clean the screen washer.

CLEANING INSTRUCTIONS

All Finishes: Clean the finish with mild soap and warm water. Wipe entire surface completely dry with clean soft cloth. Many cleaners may contain chemicals, such as ammonia, chlorine, toilet cleaner etc, which could adversely affect the finish and are not recommended for cleaning.

Do not use abrasive cleaners or solvents on Kohler faucets and fittings.