

Vesper™ Edgeline Lights
GLA36ELPS3D Specification Sheet

FEATURES

- Seamless, flush aesthetic
- Modular - combines with multiple cabinet lines
- Provides warm, ambient lighting
- Dimmable when paired with a compatible residential dimmer
- Energy efficient LEDs with an estimated life of 53,000 hours:

Kelvin	3000K
CRI	90+
R9 Value	60+
Delivered Lumens	300

MATERIALS & CONSTRUCTION

- Rust free anodized aluminum and glass construction
- Anodized aluminum base structure
- Quality polished edge mirror finish
- Built-in diffuser
- fully encased construction eliminates visibly exposed LEDs and electrical components
- Wired internally - Front access serviceability

CODES & STANDARDS

ETL certified for damp locations to:

- UL 1598
- CSA C22.2 No. 250.0

DIMENSIONS

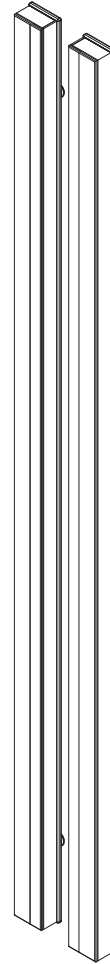
- Width: 1-3/8" (35 mm) per light
- Height: 36" (915 mm)
- Depth: 4-5/8" (118 mm) When surface mounted
15/16" (23 mm) When recessed

MORE INFORMATION

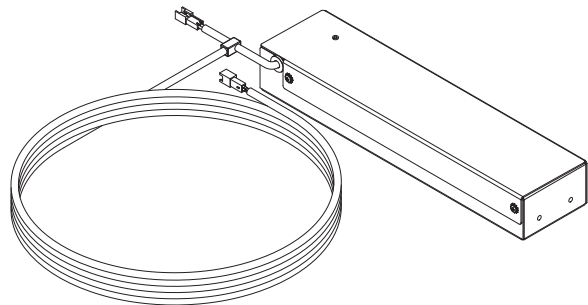


Scan the QR code to see the rough opening and electrical details found in the Vesper Dimmable Light installation instructions.

Use the camera app on your mobile device to look at this QR code. This will allow you to quickly access web pages and other relevant documents.



Included Electrical Enclosure (Power Supply):



MODEL NUMBER KEY

	WIDTH	HEIGHT	DESIGN	QTY OF LIGHTS	BODY COLOR	COLOR TEMP	LED Engine
GL	A = 1-3/8"	36 = 36"	E = Edgeline	P = Pair of Lights	S = Silver	3 = 3000K	D = Dimmable

OPTIONS

- Other widths / heights / light designs available
- Accessories:
 - 4' (1.2 M) Extension Cable (GLACABLE4)

INSTALLATION OPTIONS

- Compatible Mounting Kits (Single Cabinet):
 - Surface Mount Kit (P2SMKIT36D4P)
- Gangs between multiple cabinets via:
 - Surface Mount Ganging Kit (P2SM-GKIT36D4P)
 - Recessed Ganging Kit (P2RMGKIT)
- Compatible with M Reserve, Profiles, and PL Portray
- **Recessed Mount Rough Opening:**
Cabinet RO W + 2-3/4" W per set x 35-1/4" H
(Cabinet RO W + 70 mm W per set x 895 mm H)

