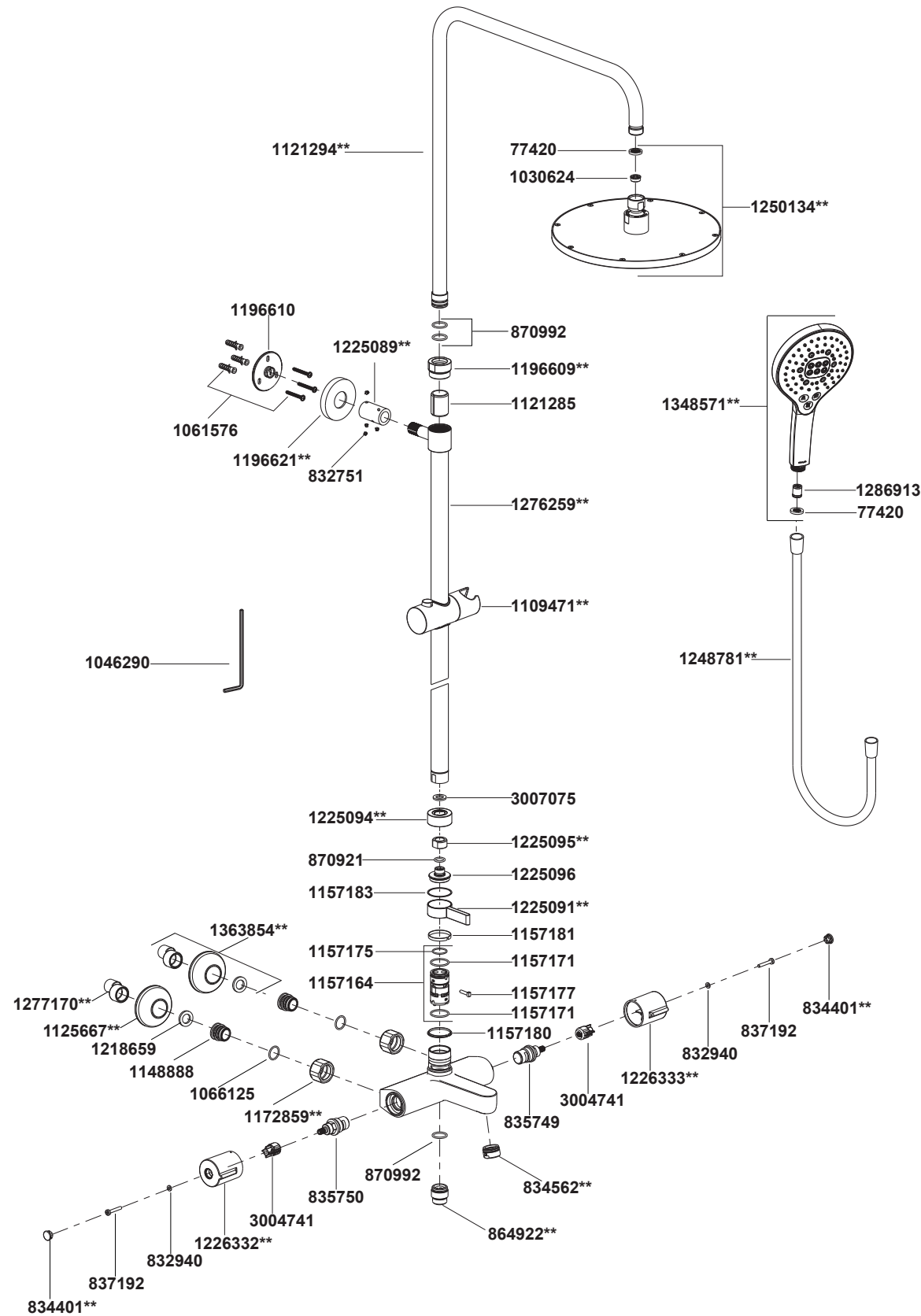


23126T-B9 3 Way Shower Column



**Color code must be specified when ordering

23126T-B9 3 Way Shower Column

BEFORE YOU BEGIN

All information is based on the latest product information available at the time of publication. Kohler Co. reserves the right to make changes in product characteristics, packaging, or availability at any time without notice.

Please leave these instructions for the consumer. They contain important information.

NOTES:

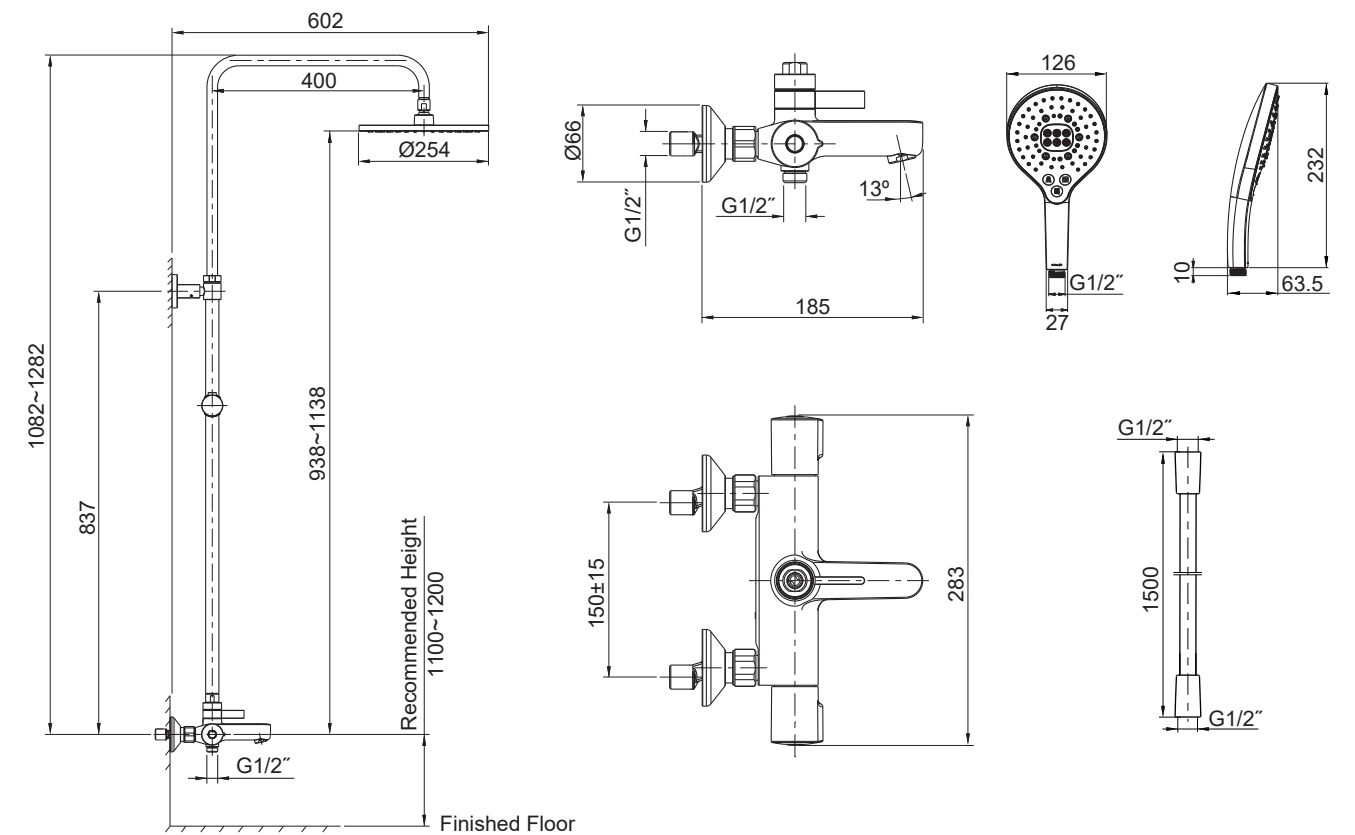
1. Shut off the water supplies to the fitting.
2. Inspect the supply tubing for damage. Replace as necessary.
3. Observe local plumbing codes.
4. The highest working pressure for showerhead & handshower is 0.5 MPa(5 bar). If it exceeds 0.5MPa(5 bar), a pressure reducer is needed. The highest water and environment temperature is 60°C. Please keep handshower, showerhead and the shower arm away from heater, or it may become damaged and cause injury to the user.

OPERATION INSTRUCTIONS

The left handle is for hot water, the right handle is for cold water. Left handle opens with turning clockwise, and right handle opens with turning counter-clockwise.

Turn the diverter handle to the handshower logo, water will flow from the handshower; turn it to the showerhead logo, the showerhead will work; turn it to the spout logo, water will flow from the spout.

ROUGH-IN DIMENSIONS



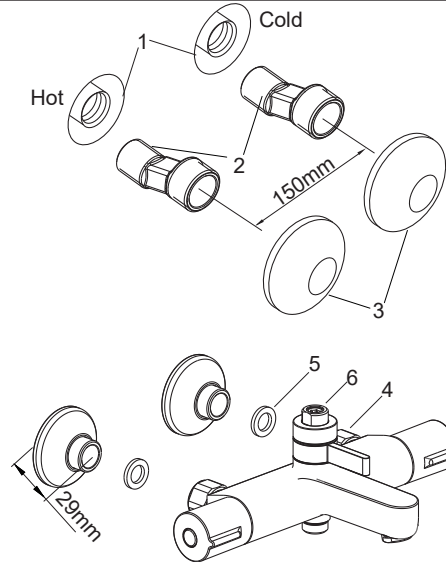
INSTALLATION

How to Install the Faucet

To perform installation, installer must provide G1/2" female supply fittings(1), spaced 150mm apart and horizontal. The supply fittings should be vertical and not beyond the finished wall. Flush the water supply pipes thoroughly to remove debris.

Apply enough tape or suitable sealant on threads of offset connectors(2). Install the two offset connectors into the hot and cold supply pipes. Adjust the center-to-center distance between the connectors to 150mm horizontally. They should extend 29mm beyond the finished wall.

Thread the escutcheons(3) onto the connectors until they are against the finished wall. Put washers(5) into supply nuts(4) of the faucet. Keeping the faucet outlet(6) upwards, thread and tighten the faucet supply nuts onto the connectors.



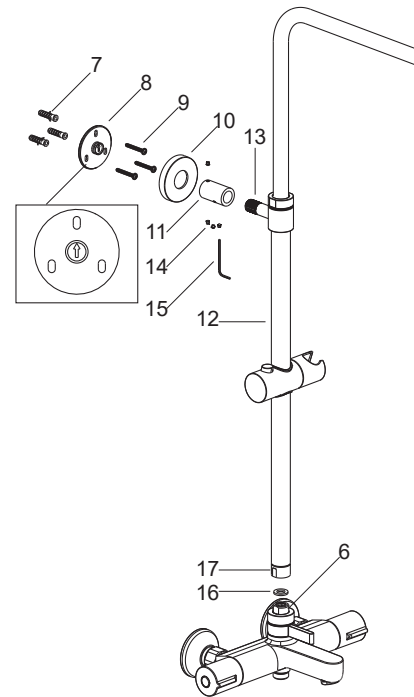
How to Install the Shower Column

Rehearse the shower column kit(12) installation for the base(8) mounting location determination. Connect the tube joint(11) and the base(**Note:** The arrow in the base is upward), tighten them with screws(14). Set the other end of the tube joint on the supporter(13) of shower column.

Put the washer(16) onto faucet outlet(6). Connect the faucet outlet and shower column. Place the column kit upright and parallel to the finished wall. Tighten the screw(17). Mark the hole of base with a pencil. Uninstall the shower column kit and tube joint. (**Note:** Don't lose the screws.)

Drill holes in the finished wall according to the diameter of the anchors(7) and the position of mounting base. Insert the anchors into the holes. Secure the mounting base by self-tapping screws(9). (**Note:** The arrow in the base is upward).

Ensure the washer(16) on faucet outlet. Install the tube joint and escutcheon(10) onto the supporter of shower column. Connect the shower column kit and faucet. Tighten the screw(17). Slide the tube joint onto the base, tighten with hex wrench(15) and screw. Screw the escutcheon until it against wall. Make sure the outlet of shower column faces the front, and the shower column is parallel to the finished wall. Connect the supporter and tube joint with screw, tighten it by hex wrench.

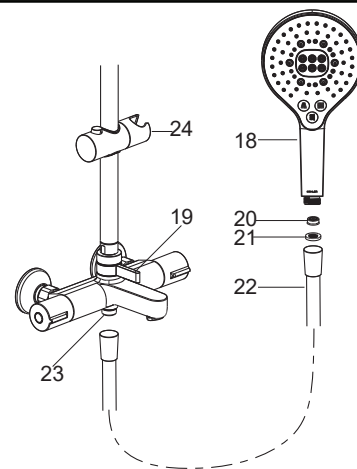


How to Install the Handshower

Ensure that the diverter handle(19) is in the position for handshower. Flush hot and cold water supplies to remove any debris before the handshower(18) is installed.

Put the restrictor(20) into the handshower inlet if needed. Put the screen washer(21) into the shower hose(22) connector. Connect the connector(23) and handshower with hose. Tighten all the connectors.

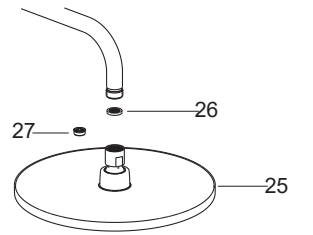
Hang the handshower on the shower bracket(24).



How to Install the Showerhead

Ensure that the diverter handle(19) is in the position for showerhead, run hot and cold water for one minute to remove any debris before the showerhead(25) is installed.

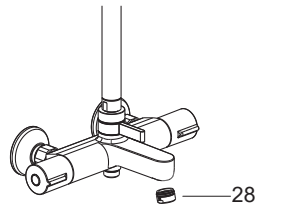
Take out the washer(26) and install the restrictor(27) into the showerhead if needed, reinstall the washer. Tighten the showerhead onto the tube kit outlet with strap wrench.



INSTALLATION CHECKOUT

Ensure that all connections are tight. Ensure that the handle is in the off position. Turn on the drain and main water supply, and check for leaks. Repair as needed.

Remove the aerator(28). Run hot and cold water through the faucet for about one minute to remove any debris. Check for leaks. Shut off the faucet, and reinstall the aerator.



CLEANING INSTRUCTIONS

All Finishes: Clean the finish with mild soap and warm water. Wipe entire surface completely dry with clean soft cloth. Many cleaners may contain chemicals, such as ammonia, chlorine, toilet cleaner etc. which could adversely affect the finish and are not recommended for cleaning.

Do not use abrasive cleaners or solvents on Kohler faucets and fittings.